



US00D443041S

(12) **United States Design Patent**
Uhlenkott

(10) **Patent No.:** **US D443,041 S**

(45) **Date of Patent:** **** May 29, 2001**

- (54) **PIPING FOR A WATER WELL**
- (75) Inventor: **William Uhlenkott**, Rte. 1, Box 20A,
Fenn, ID (US) 83531
- (73) Assignee: **William Uhlenkott**, Fenn, ID (US)
- (**) Term: **14 Years**
- (21) Appl. No.: **29/126,861**
- (22) Filed: **Jul. 25, 2000**
- (51) **LOC (7) Cl.** **23-01**
- (52) **U.S. Cl.** **D23/266**
- (58) **Field of Search** D23/266; 138/103,
138/118, 121, 173, 177

2,722,237	*	11/1955	Rosel	138/103
4,524,808	*	6/1985	Fleischer et al.	138/103
4,892,442	*	1/1990	Shoffner	138/121
4,909,323	*	3/1990	Hastings	166/242

* cited by examiner

Primary Examiner—Robin V. Taylor

(74) *Attorney, Agent, or Firm*—Chernoff, Vilhauer,
McClung & Stenzel, LLP

(57) **CLAIM**

The ornamental design for piping for a water well, as shown and described.

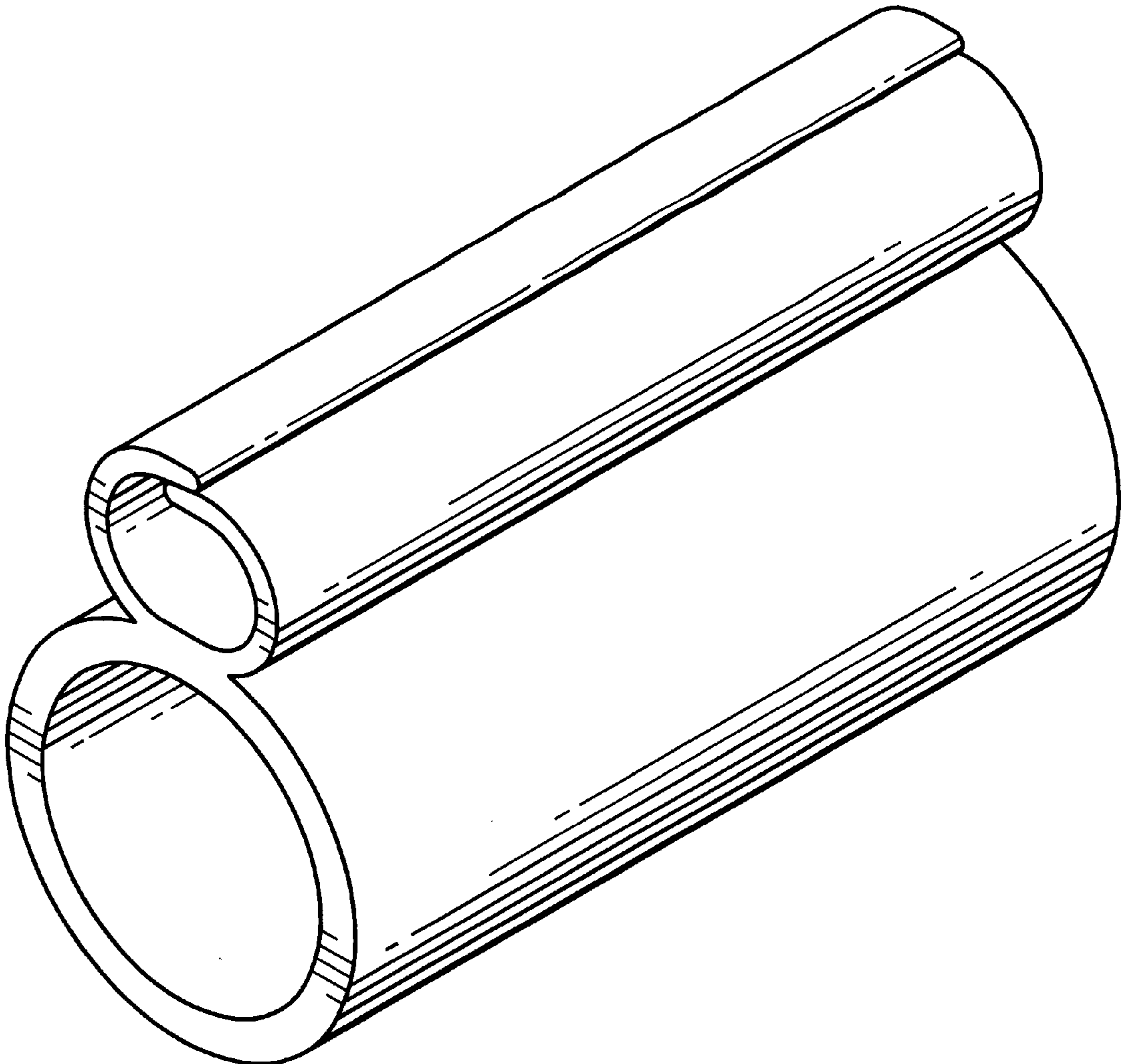
DESCRIPTION

FIG. 1 is a perspective view of the pipe; and,
FIG. 2 is an end view of the pipe.

The broken lines depicting are for illustrative purposes only and form no part of the claimed design.

- (56) **References Cited**
U.S. PATENT DOCUMENTS
- D. 345,197 * 3/1994 Potter D23/266
- D. 375,600 * 11/1996 Hirano et al. D23/266

1 Claim, 1 Drawing Sheet



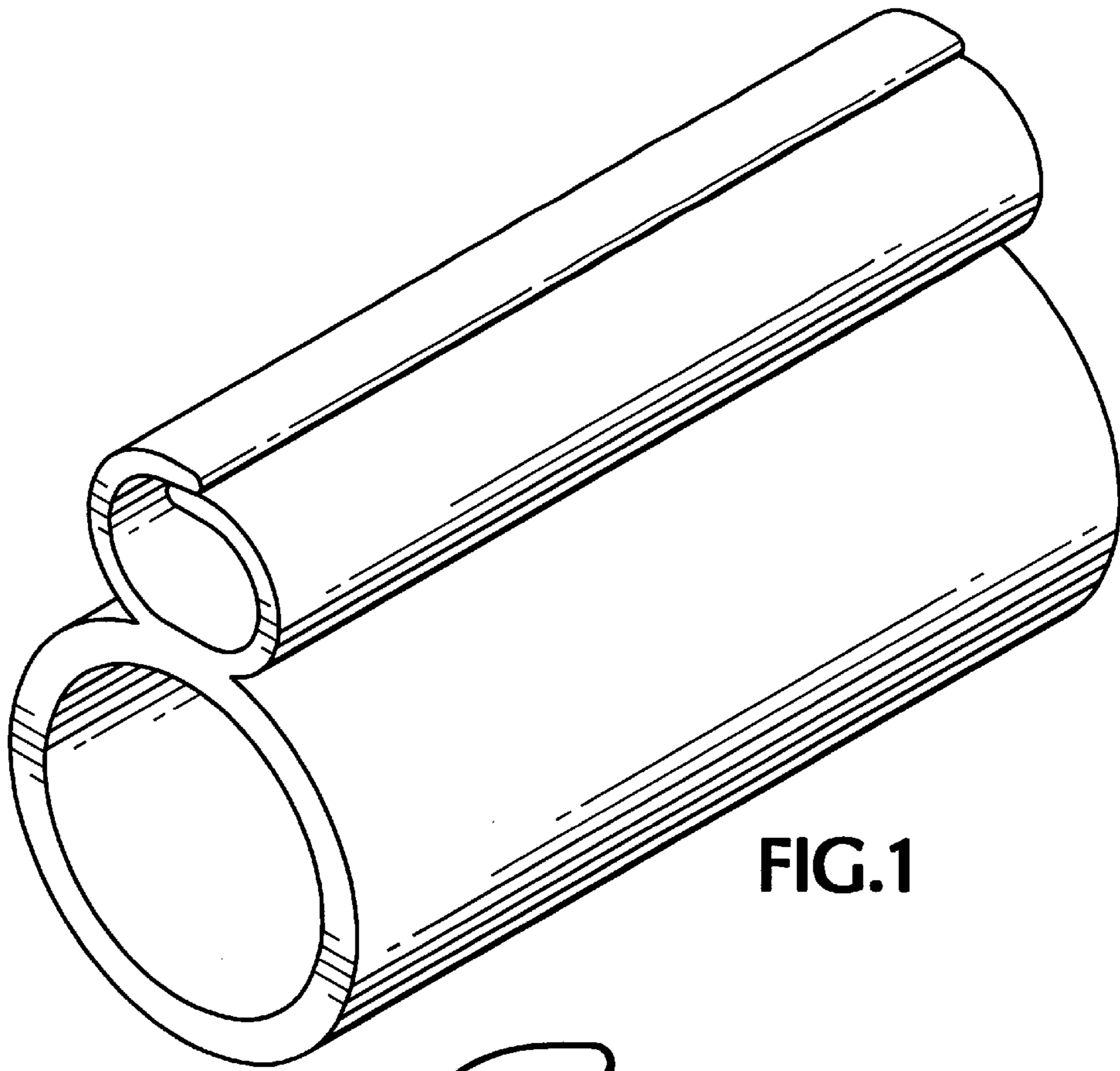


FIG. 1

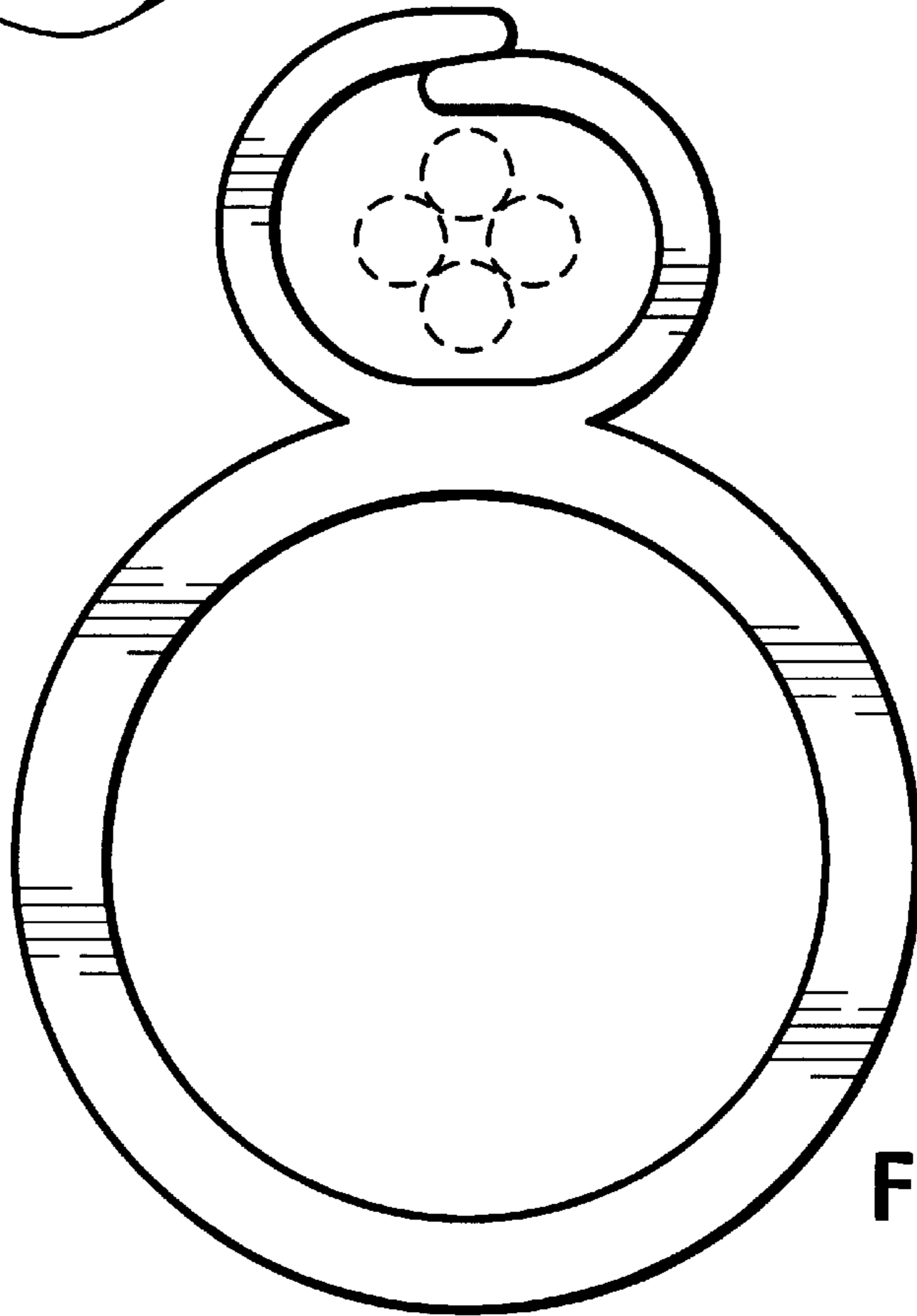


FIG. 2