



US00D443040S

(12) **United States Design Patent**  
**Fabian et al.**

(10) **Patent No.:** **US D443,040 S**

(45) **Date of Patent:** **\*\* May 29, 2001**

(54) **CAP**

D. 412,970 \* 8/1999 Whyte ..... D23/260  
D. 430,652 \* 9/2000 Toit et al. .... D23/260

(75) Inventors: **Wolfgang Fabian**, Mannheim (DE);  
**Brian Hunter**, Nederland, CO (US)

\* cited by examiner

(73) Assignee: **American Standard International Inc.**, New York, NY (US)

*Primary Examiner*—Robin V. Taylor

(\*\*) Term: **14 Years**

(57) **CLAIM**

The ornamental design for a cap, as shown and described.

(21) Appl. No.: **29/121,244**

**DESCRIPTION**

(22) Filed: **Apr. 4, 2000**

FIG. 1 is a perspective view of a cap showing my new design;

(51) **LOC (7) Cl.** ..... **23-01**

FIG. 2 is a top plan view thereof;

(52) **U.S. Cl.** ..... **D23/260; D23/249**

FIG. 3 is a front elevational view thereof, the rear, left side, and right side views being mirror images thereof; and,

(58) **Field of Search** ..... D23/260, 261,  
D23/249, 308, 254; 4/286–293, 679, 681

FIG. 4 is a bottom plan view thereof.

(56) **References Cited**

The broken line showing is for illustrative purposes only and forms no part of the claimed design.

**U.S. PATENT DOCUMENTS**

D. 284,687 \* 7/1986 Doman et al. .... D23/254

**1 Claim, 1 Drawing Sheet**

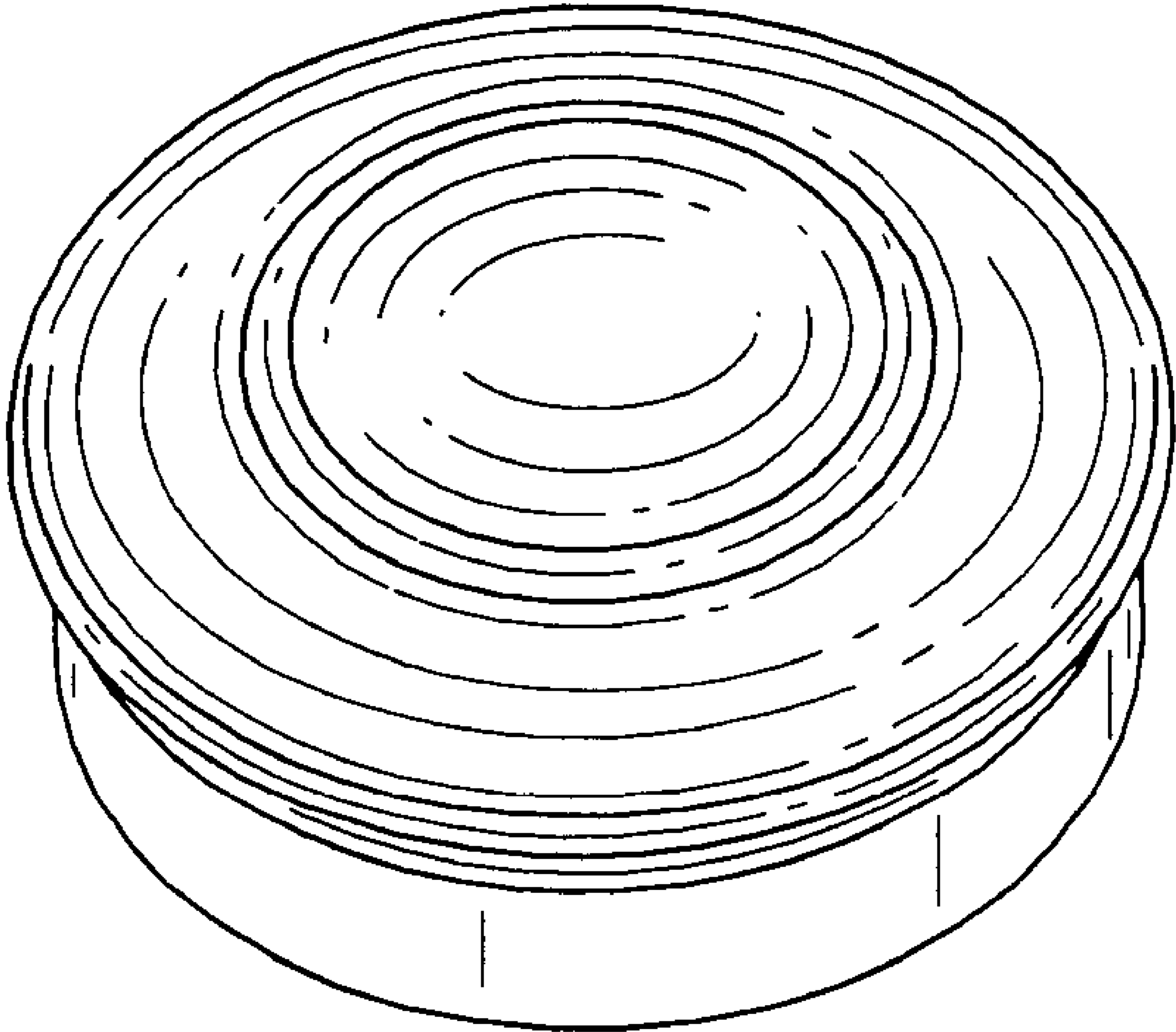


FIG. 1

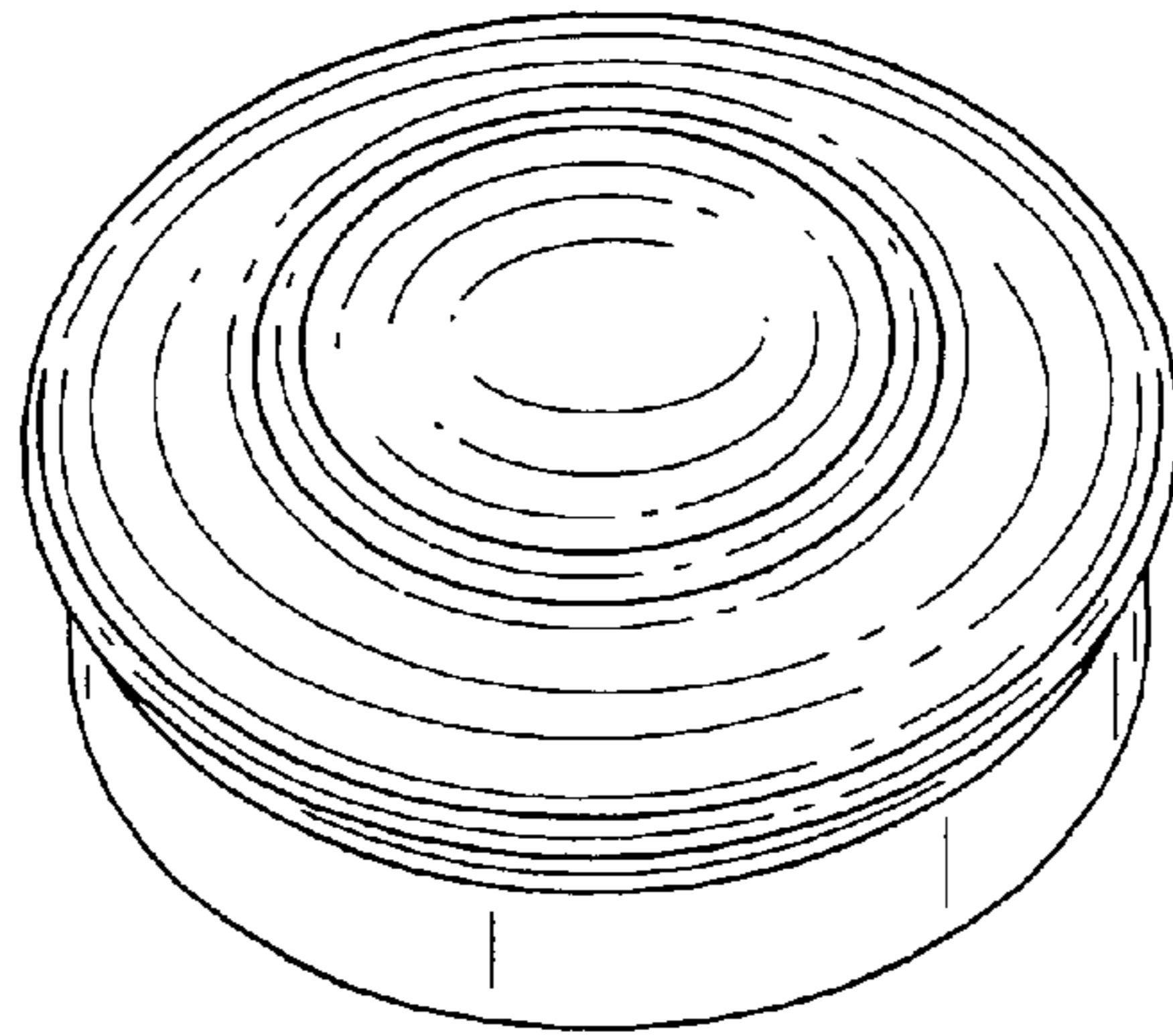


FIG. 2

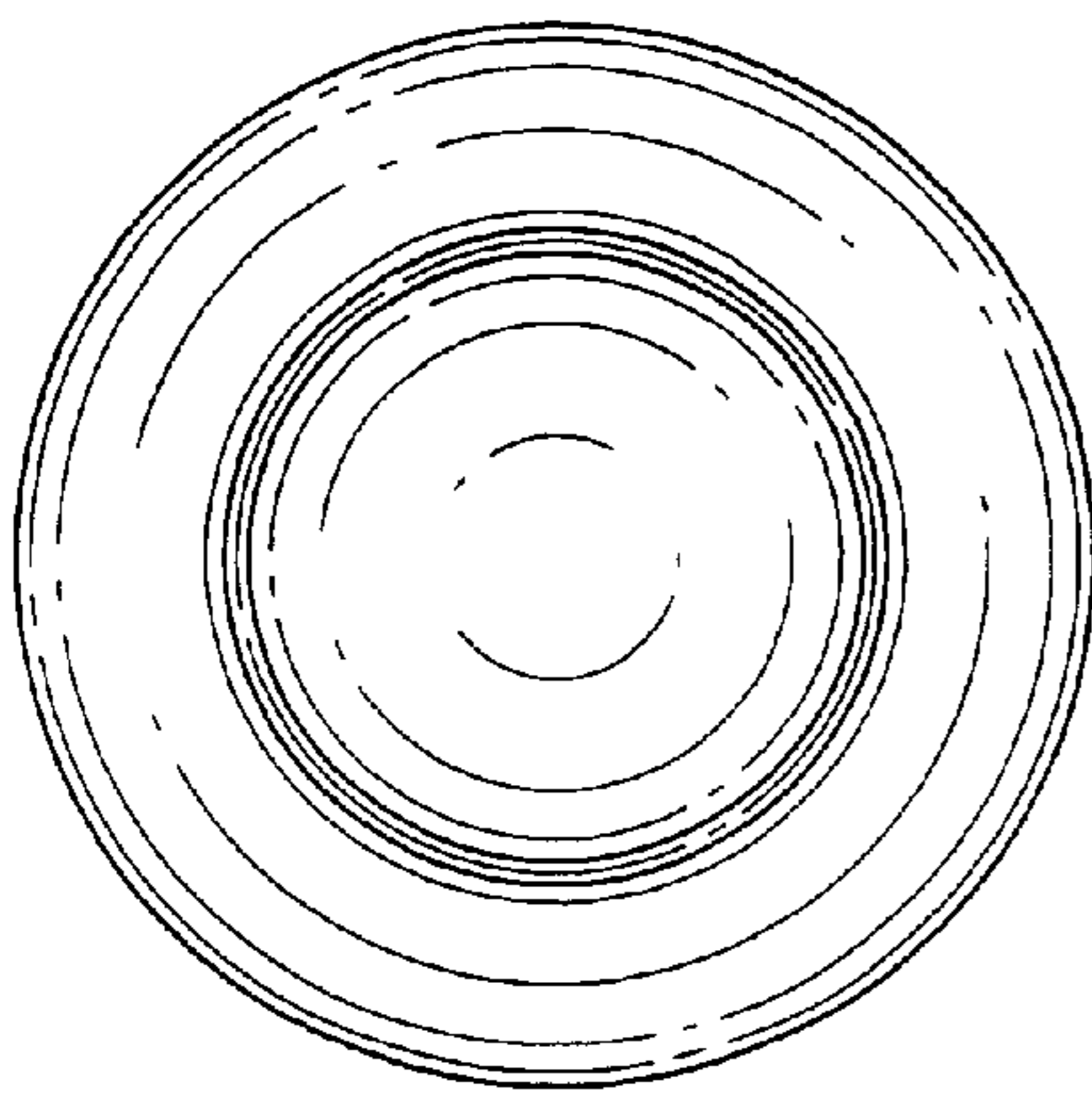


FIG. 3

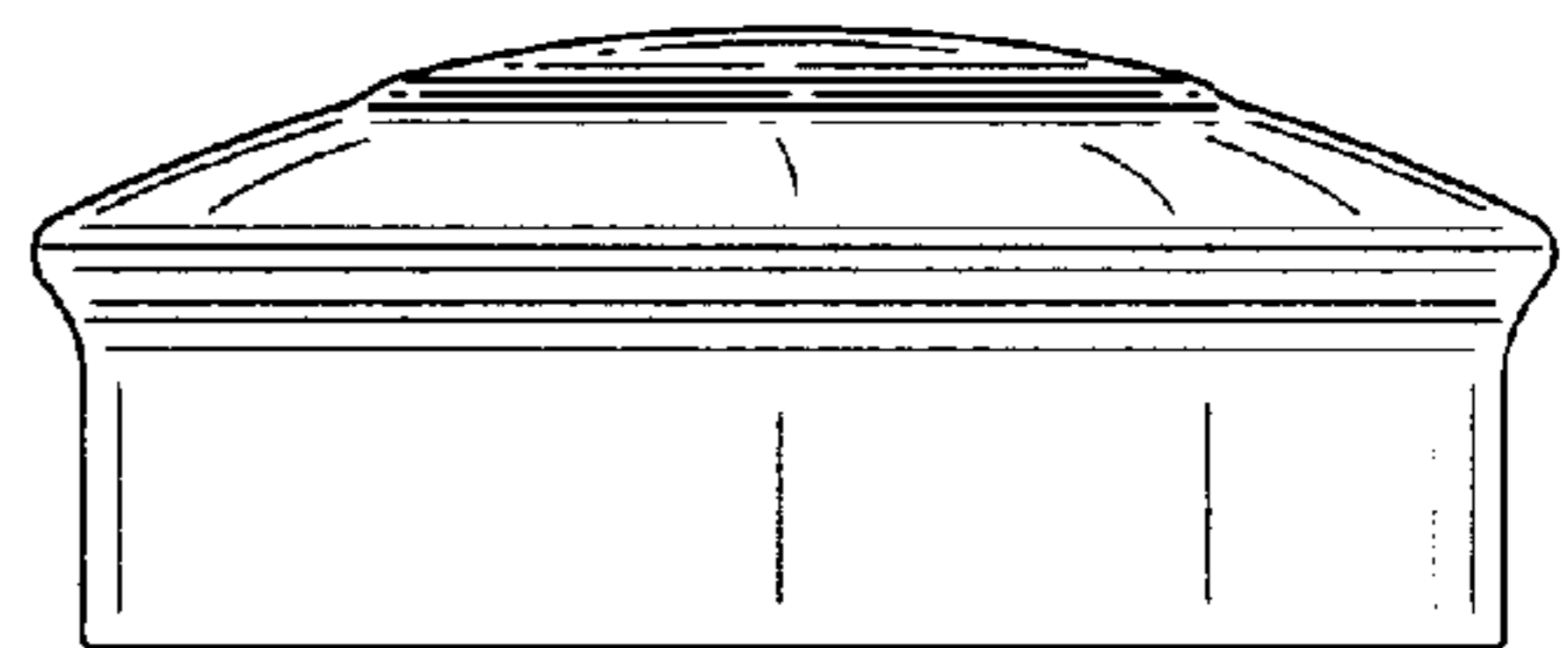


FIG. 4

