



US00D443034S

(12) **United States Design Patent**
Spangler

(10) **Patent No.:** **US D443,034 S**

(45) **Date of Patent:** **** May 29, 2001**

(54) **FAUCET HANDLE**

(75) **Inventor:** **Anthony Spangler**, Greensburg, IN (US)

(73) **Assignee:** **Masco Corporation of Indiana**, Indianapolis, IN (US)

(**) **Term:** **14 Years**

(21) **Appl. No.:** **29/132,406**

(22) **Filed:** **Nov. 8, 2000**

(51) **LOC (7) Cl.** **23-01**

(52) **U.S. Cl.** **D23/252**

(58) **Field of Search** D23/238-243,
D23/245, 249-257; D8/300-310, 350-354;
4/675-678; 16/110 R-121; 137/801

(56) **References Cited**

U.S. PATENT DOCUMENTS

- D. 309,006 * 7/1990 Spangler D23/252
- D. 346,644 * 5/1994 Bonnell D23/252
- D. 390,922 * 2/1998 Oswaks et al. D23/252

- D. 421,641 * 3/2000 Green et al. D23/250
- D. 434,121 * 11/2000 Donath, Jr. et al. D23/252

* cited by examiner

Primary Examiner—Louis S. Zarfes

Assistant Examiner—Gregory Andoll

(74) *Attorney, Agent, or Firm*—Kwadjo Adusei-Poku; Lloyd D. Doigan

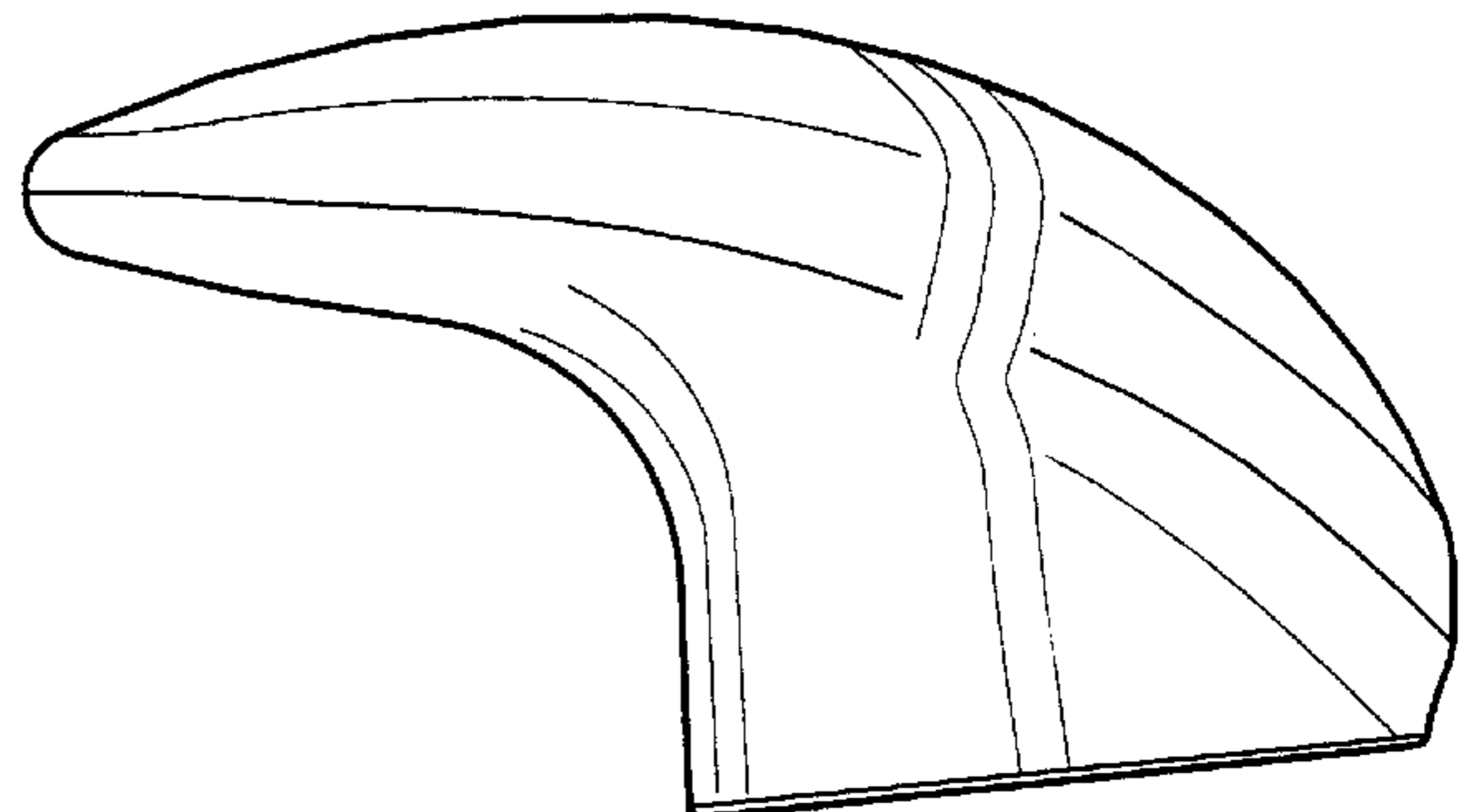
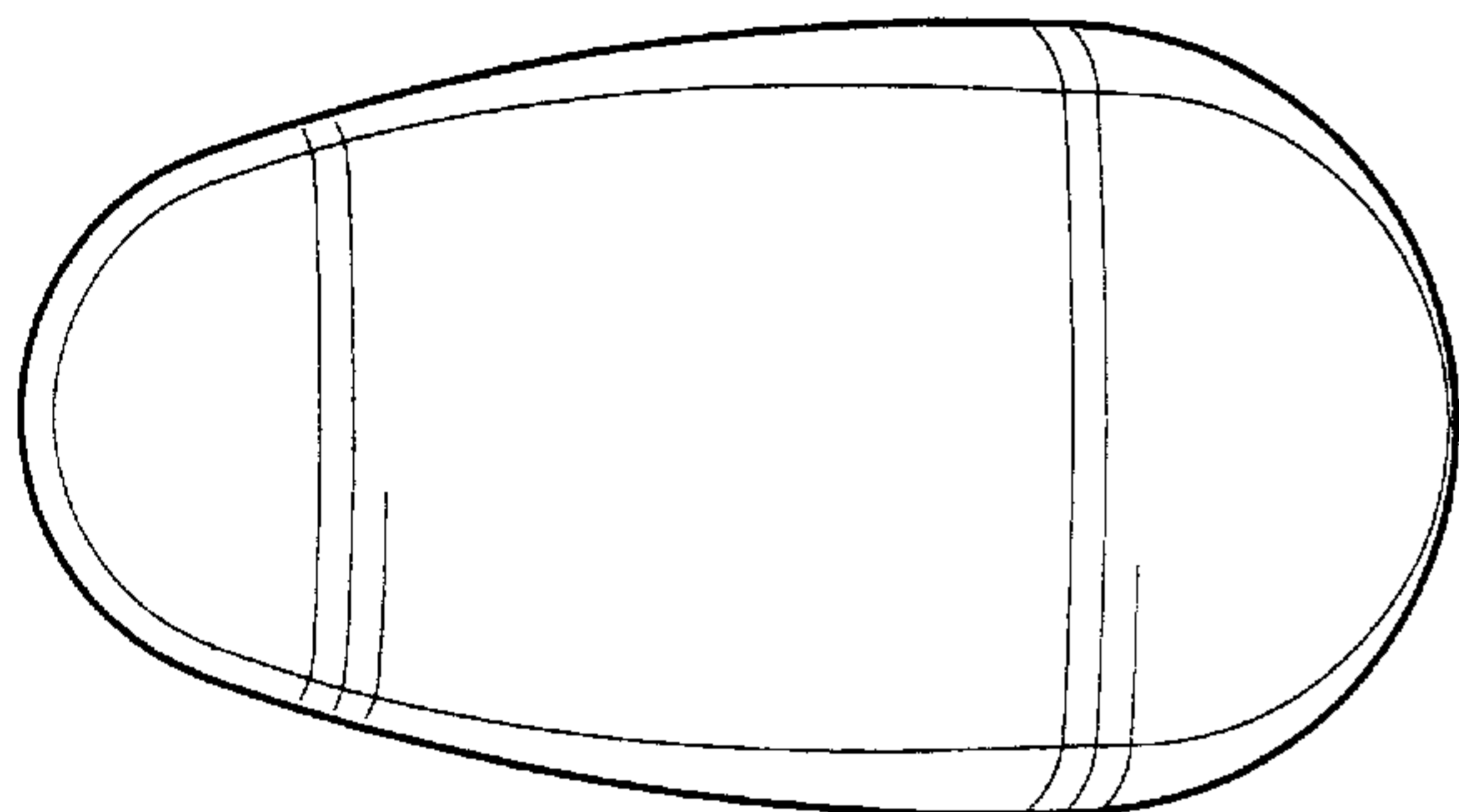
(57) **CLAIM**

The ornamental design for a faucet handle, as shown and described.

DESCRIPTION

FIG. 1 is a front perspective view of a faucet handle showing my new design;
 FIG. 2 is a rear perspective view thereof;
 FIG. 3 is a rear elevational view thereof;
 FIG. 4 is a front elevational view thereof;
 FIG. 5 is a top plan view thereof;
 FIG. 6 is a bottom plan view thereof; and,
 FIG. 7 is a side elevational view, the other side being a mirror image of the side shown.

1 Claim, 2 Drawing Sheets



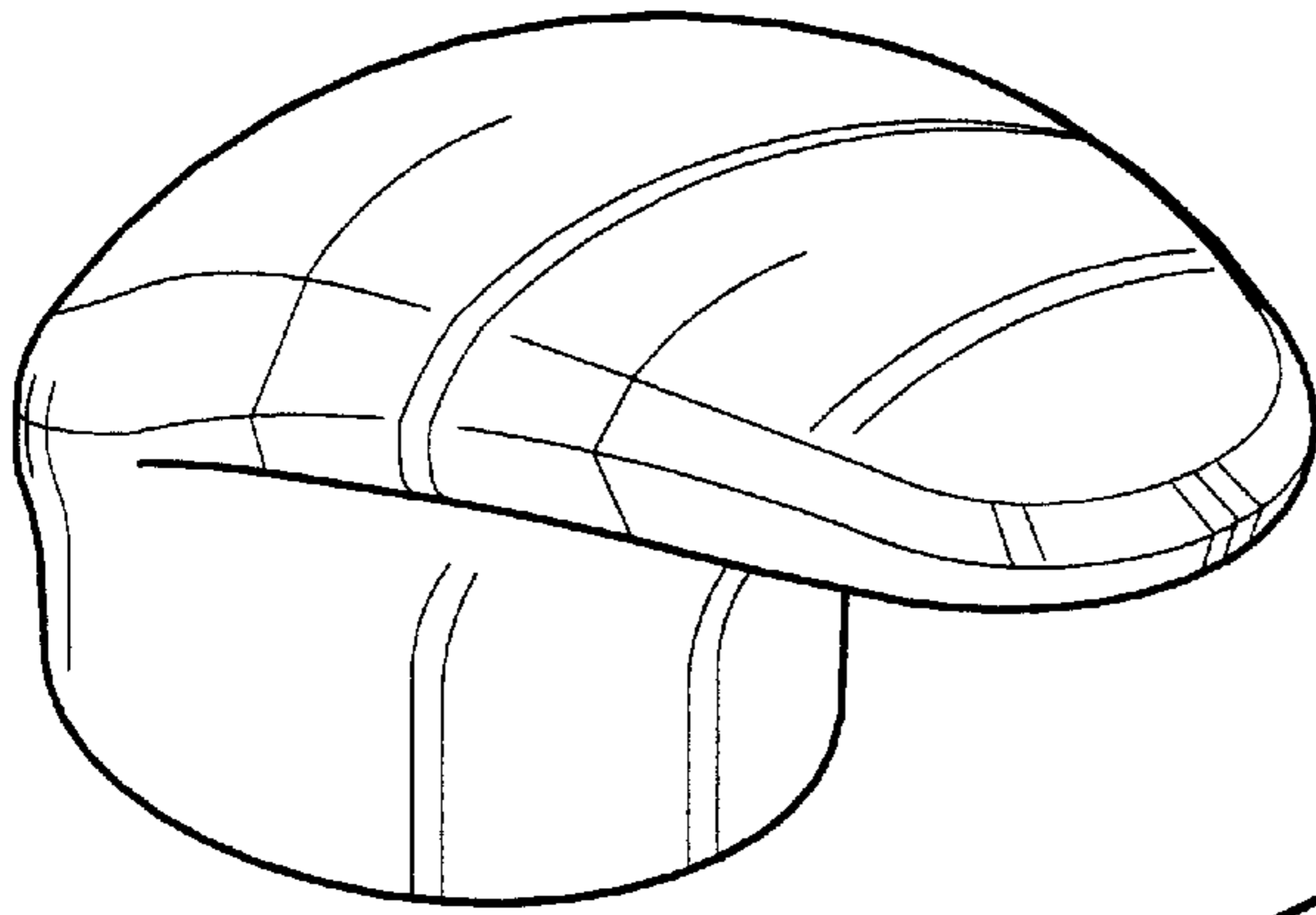


Fig-1

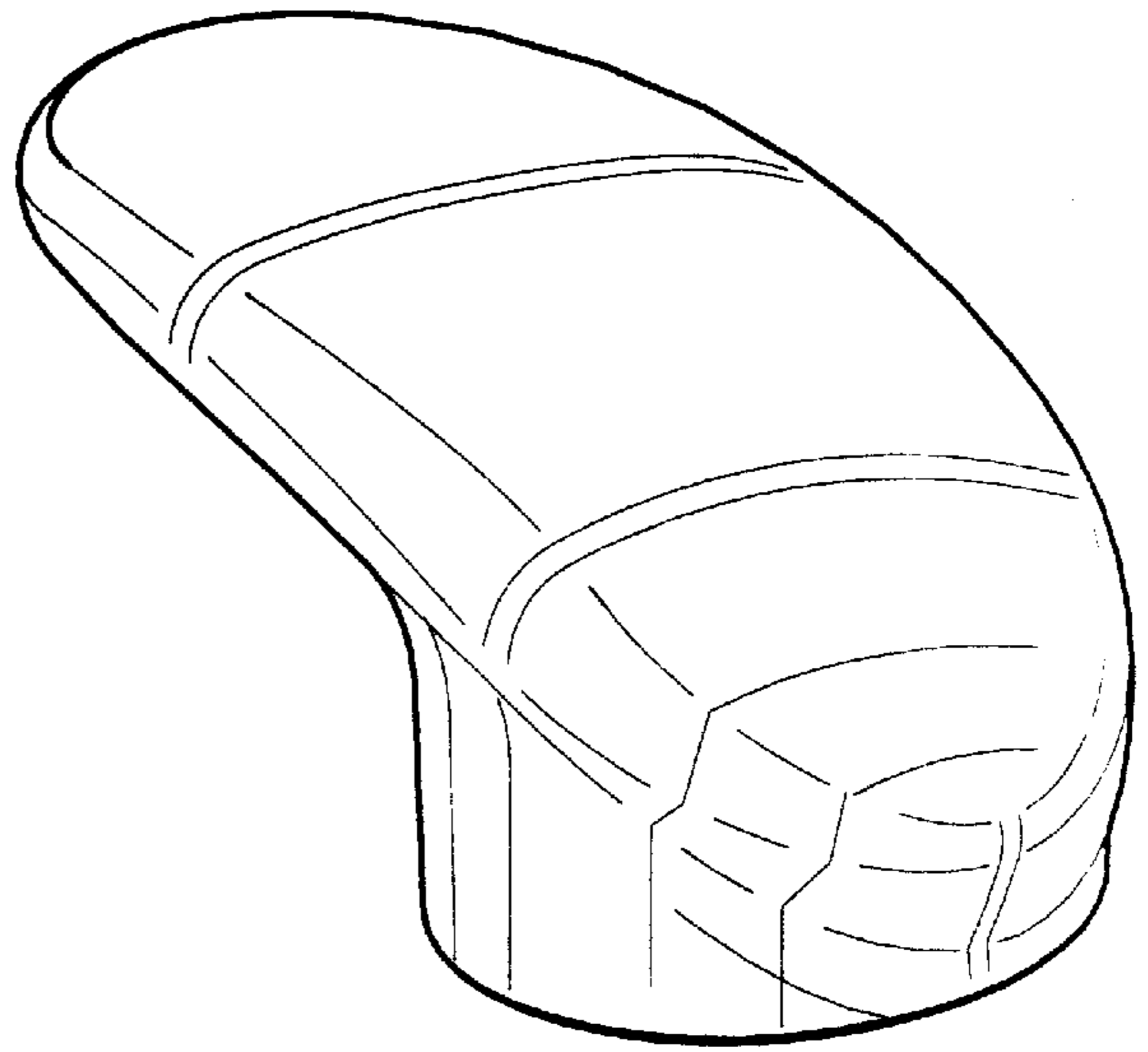


Fig-2

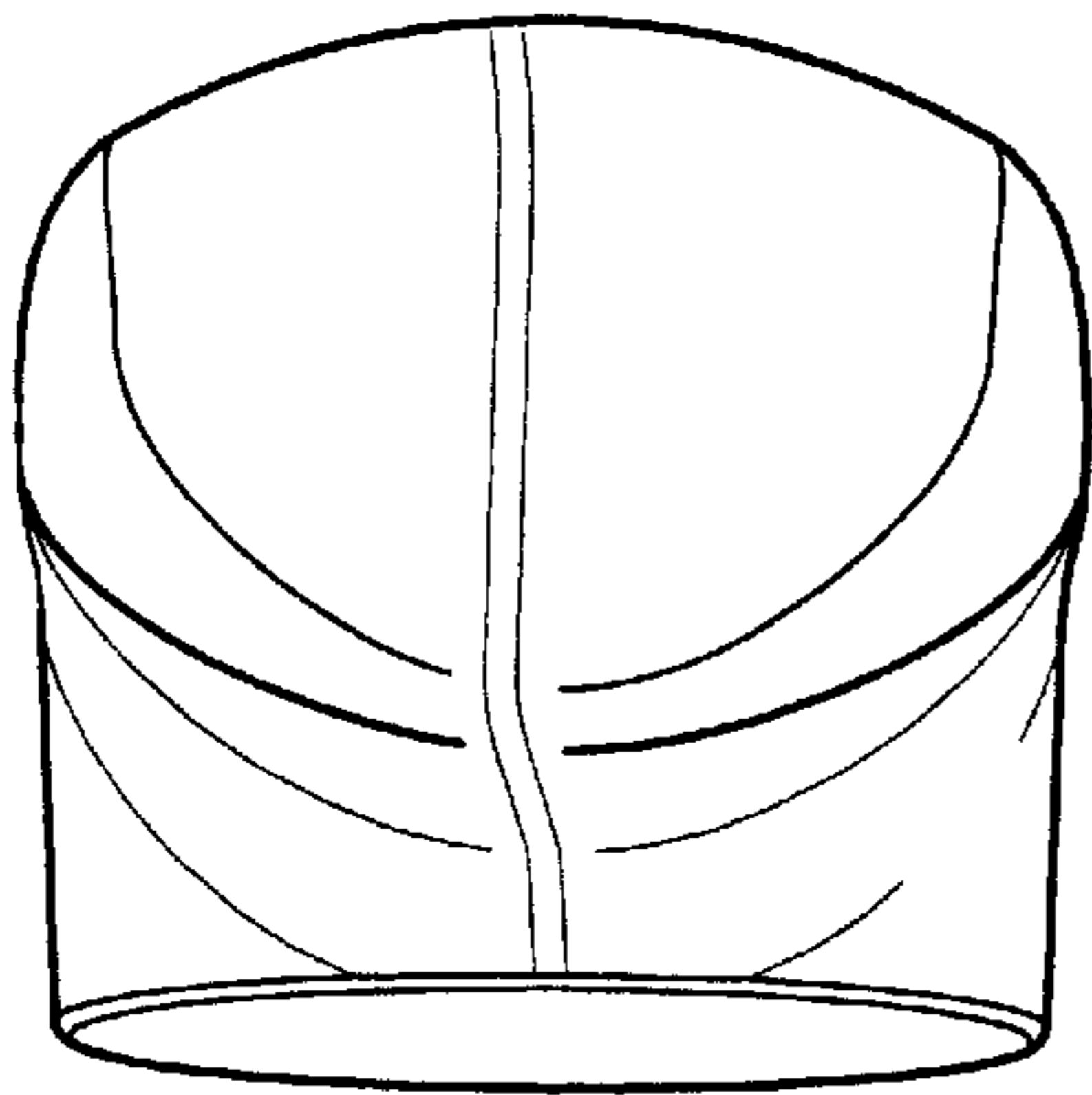


Fig-3

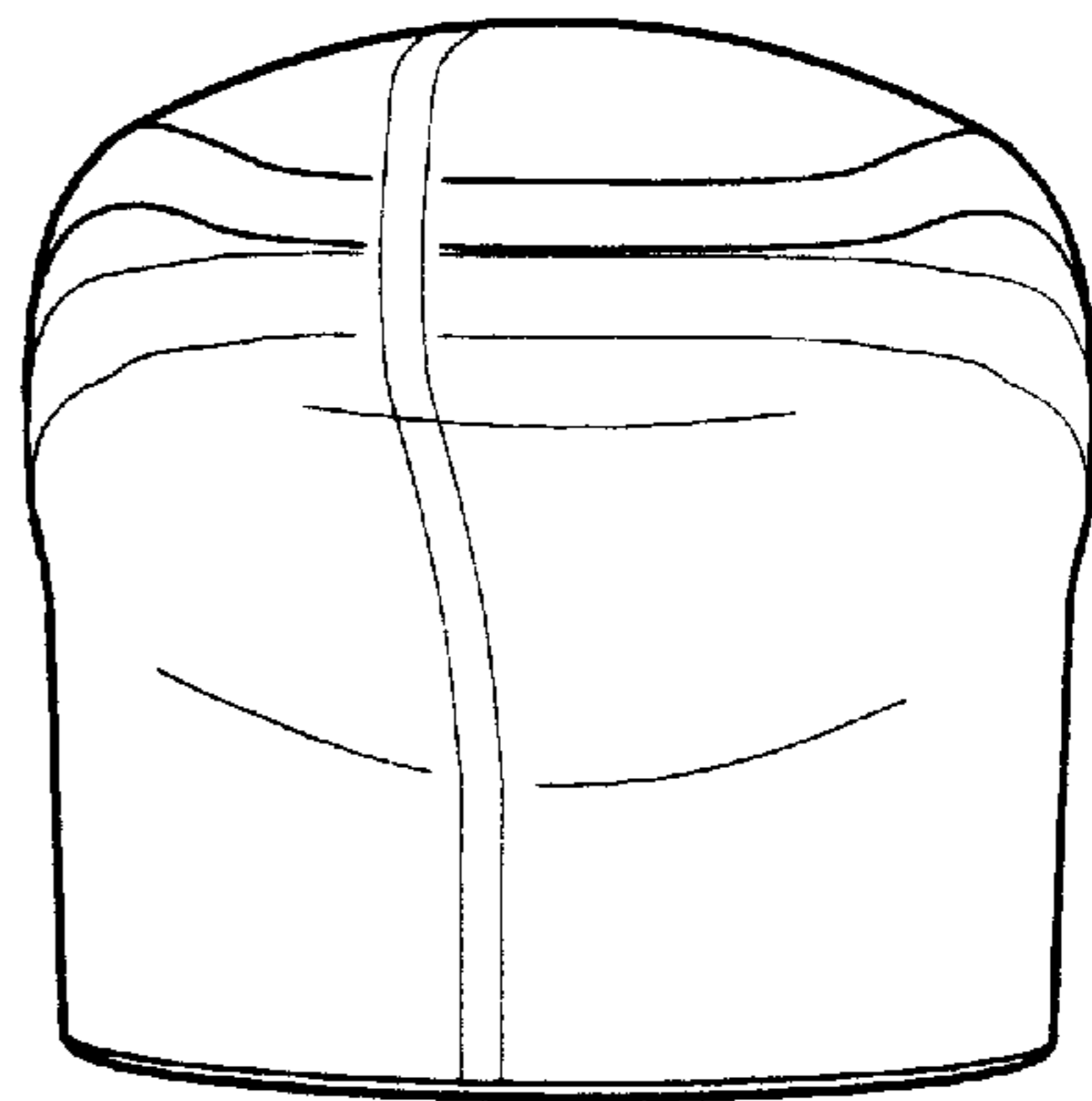


Fig-4

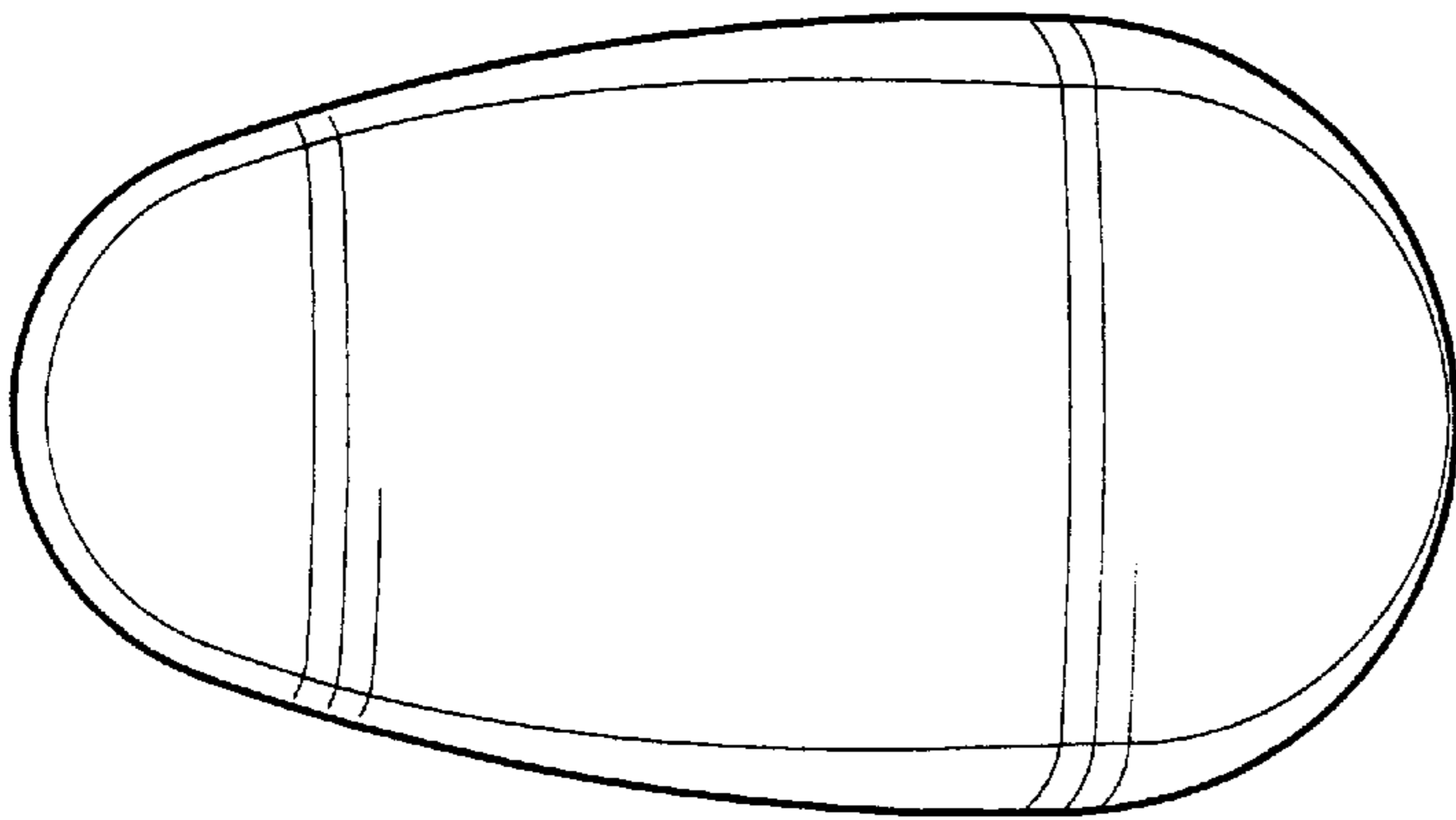


Fig-5

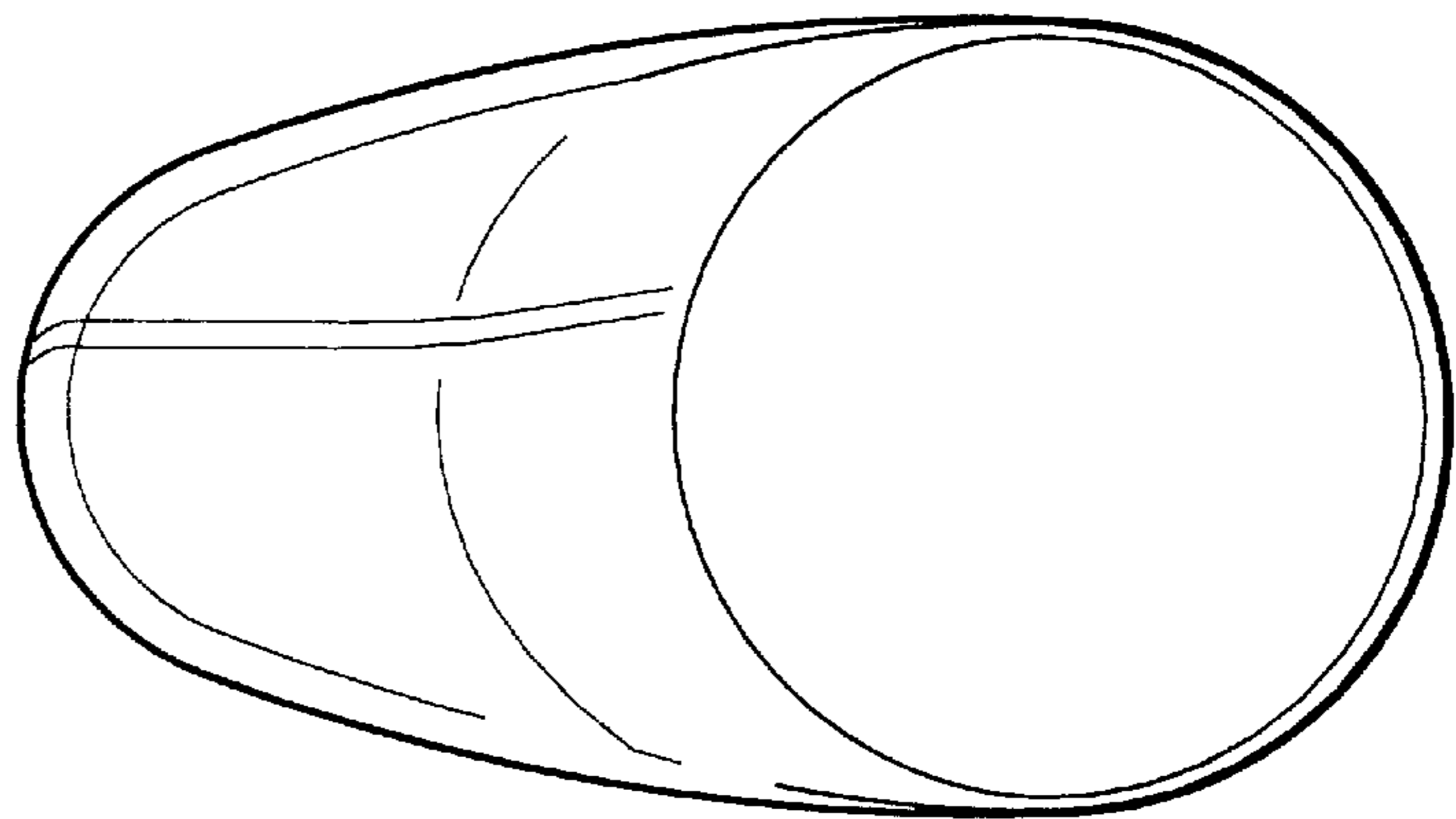


Fig-6

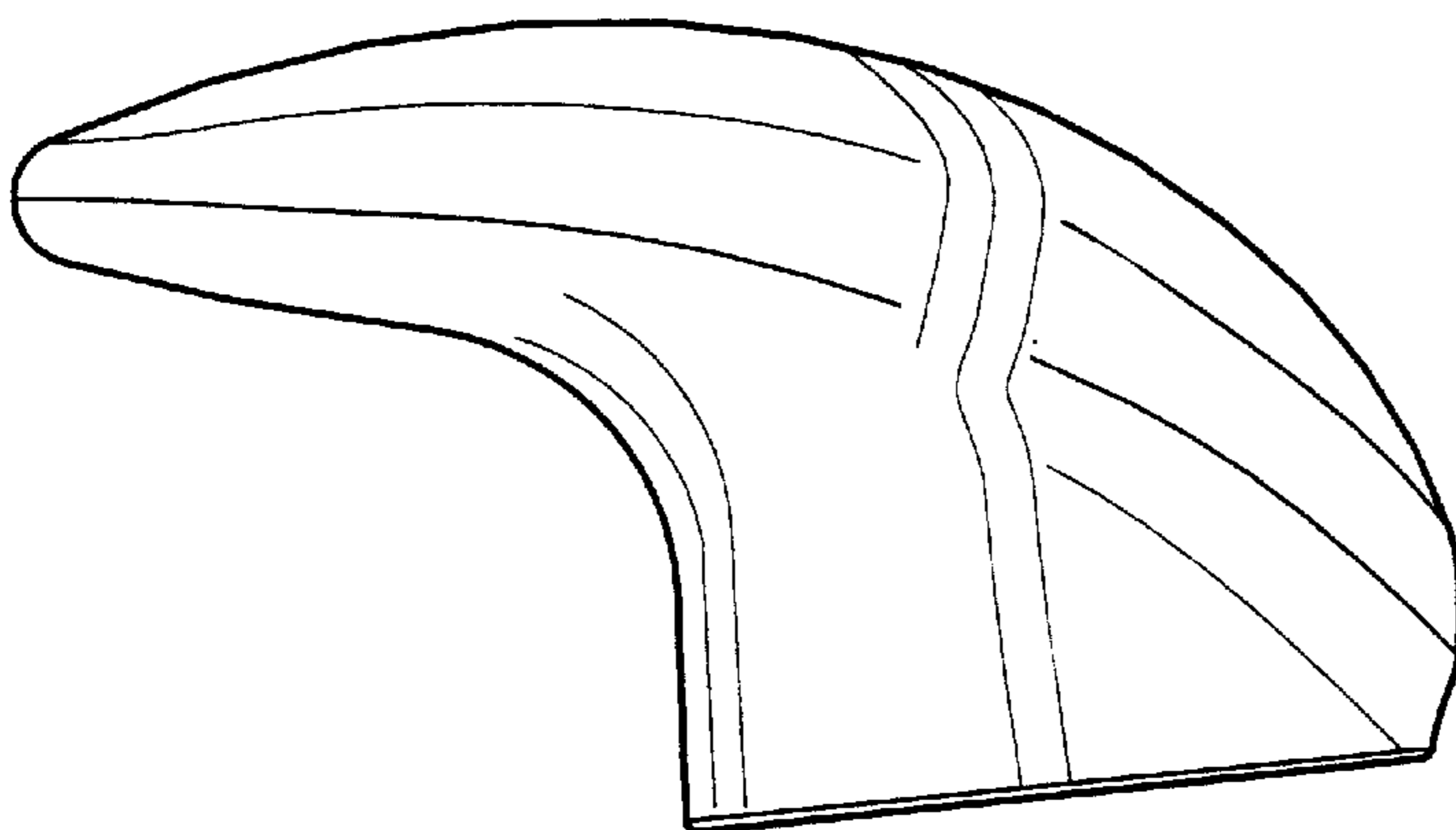


Fig-7