



US00D443029S

(12) **United States Design Patent**
Kollmann et al.

(10) **Patent No.:** **US D443,029 S**

(45) **Date of Patent:** **** May 29, 2001**

(54) **SHOWER HEAD, ESPECIALLY FOR HEAD SHOWERS**

(75) **Inventors:** **Fabian Kollmann; Tom Schönherr; Andreas Haug**, all of Stuttgart (DE)

(73) **Assignee:** **Hansgrohe AG** (DE)

(**) **Term:** **14 Years**

(21) **Appl. No.:** **29/126,361**

(22) **Filed:** **Jul. 12, 2000**

(51) **LOC (7) Cl.** **23-01**

(52) **U.S. Cl.** **D23/229**

(58) **Field of Search** D23/213, 223,
D23/226, 229-230; 239/460, 462

(56) **References Cited**

U.S. PATENT DOCUMENTS

D. 418,904	*	1/2000	Milrud	D23/229
D. 423,083	*	4/2000	Haug et al.	D23/223
D. 424,161	*	5/2000	Haug et al.	D23/223
D. 424,162	*	5/2000	Haug et al.	D23/223
D. 424,164	*	5/2000	Haug et al.	D23/223
D. 431,859	*	10/2000	Tse	D23/229
D. 434,109	*	11/2000	Ko	D23/229

OTHER PUBLICATIONS

Pp. 10/11, 28/29 and 20/21 from the prospectus GRO-HETEC "Brausen-Programm" published in Mar. 1997.
Hansgrohe catalog "Brausen 1999", published in Oct. 1999.
Hansgrohe catalog "Brausen 2000", published in Dec. 1999.

* cited by examiner

Primary Examiner—Robin V. Taylor

(74) *Attorney, Agent, or Firm*—Duane, Morris & Heckscher LLP

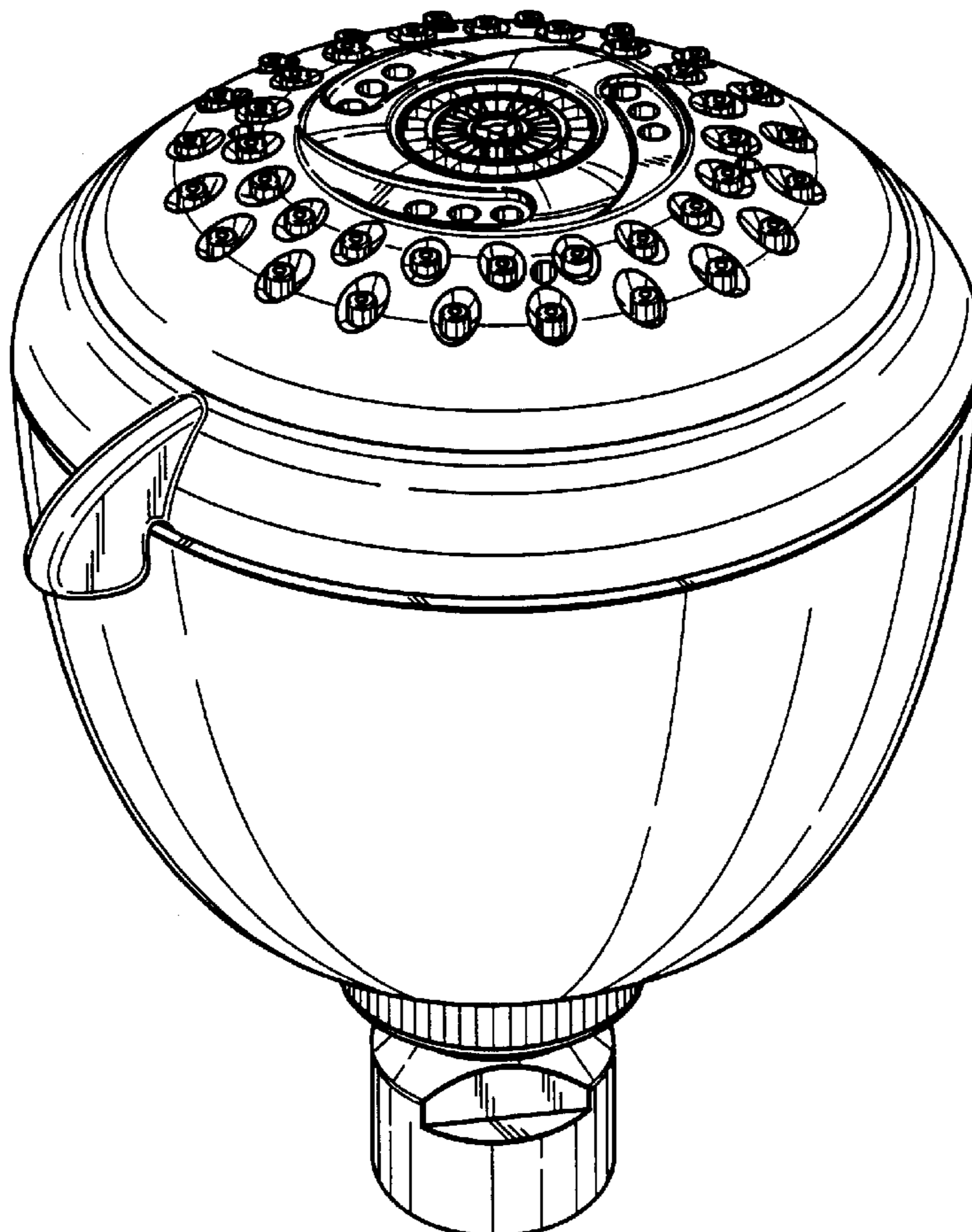
(57) **CLAIM**

The ornamental design for a shower head, especially for head showers, as shown and described.

DESCRIPTION

FIG. 1 is a side perspective view of a shower head, especially for head showers, showing our new design;
FIG. 2 is a bottom plan view thereof;
FIG. 3 is a side elevation view thereof;
FIG. 4 is a top plan view thereof;
FIG. 5 is a side elevation view thereof (reversed); and,
FIG. 6 and FIG. 7 further side views thereof.

1 Claim, 4 Drawing Sheets



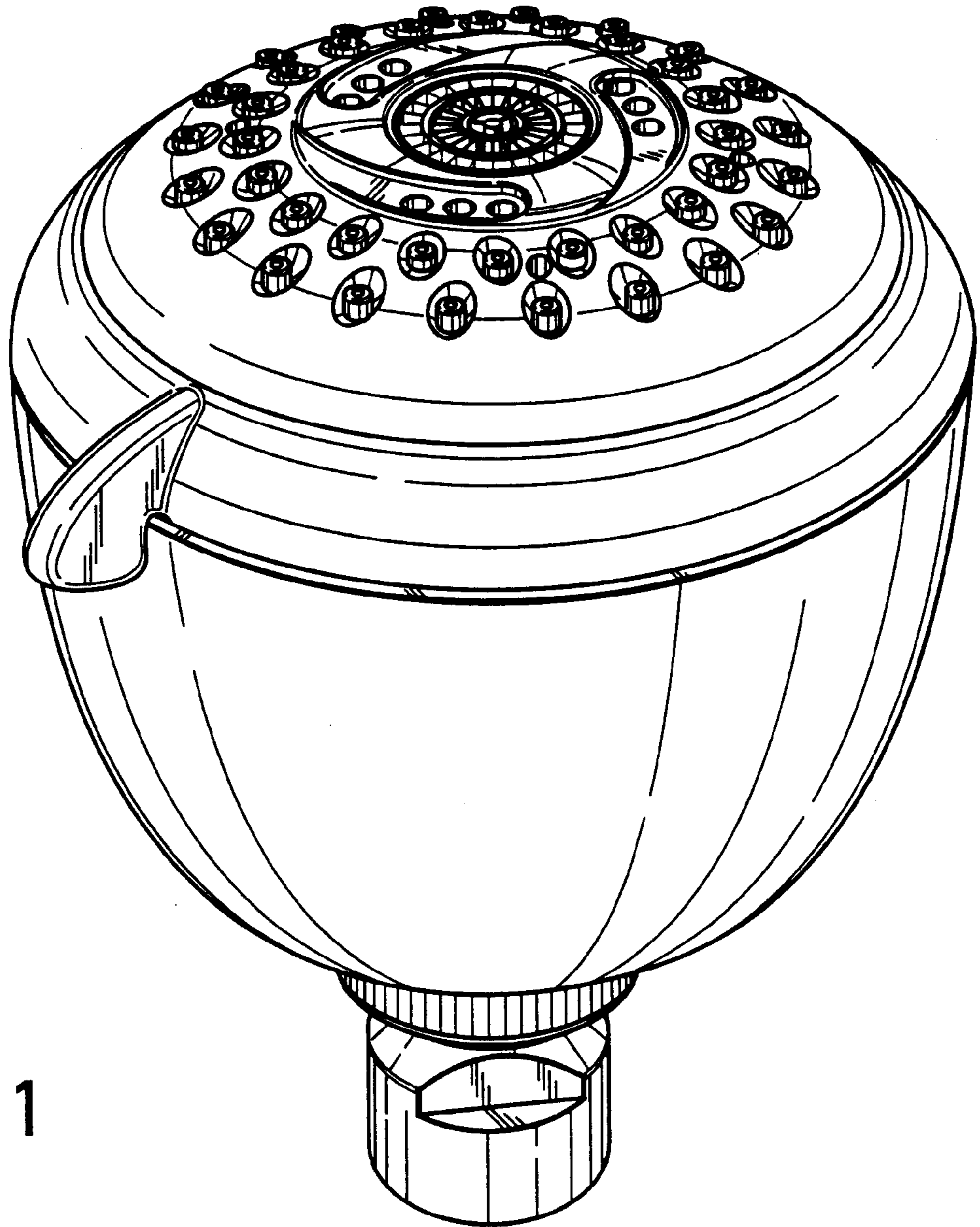


FIG. 1

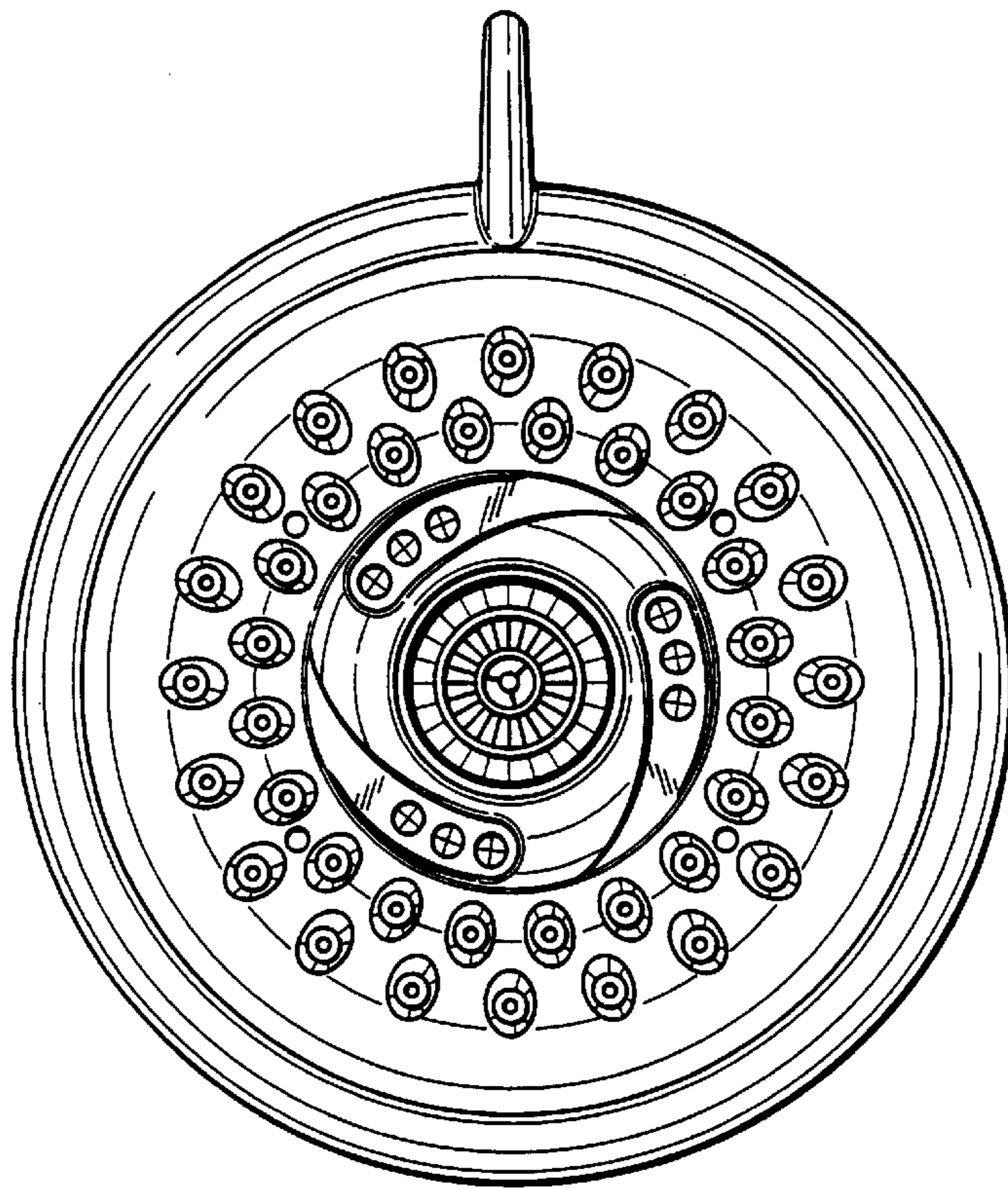


FIG. 2

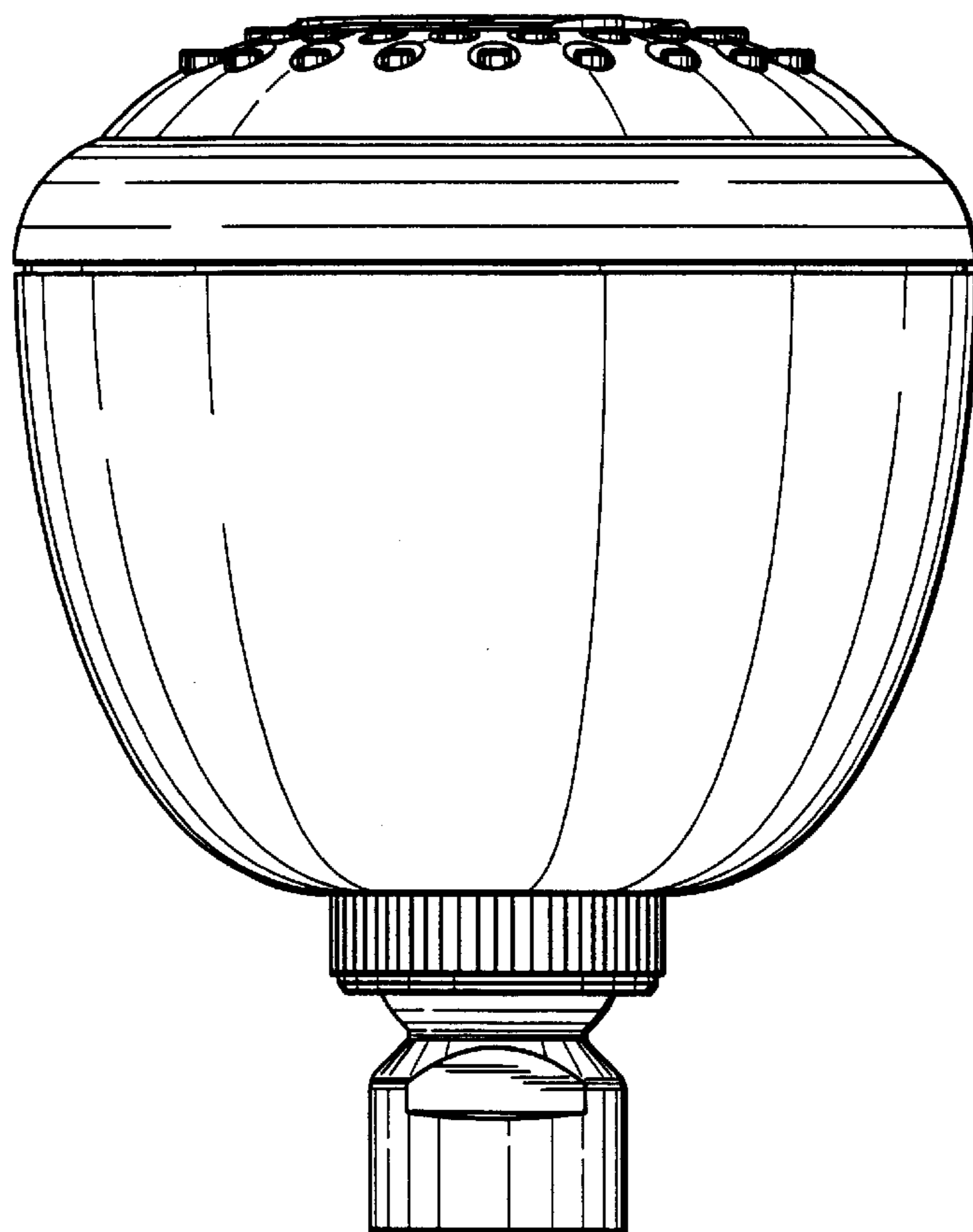


FIG. 3

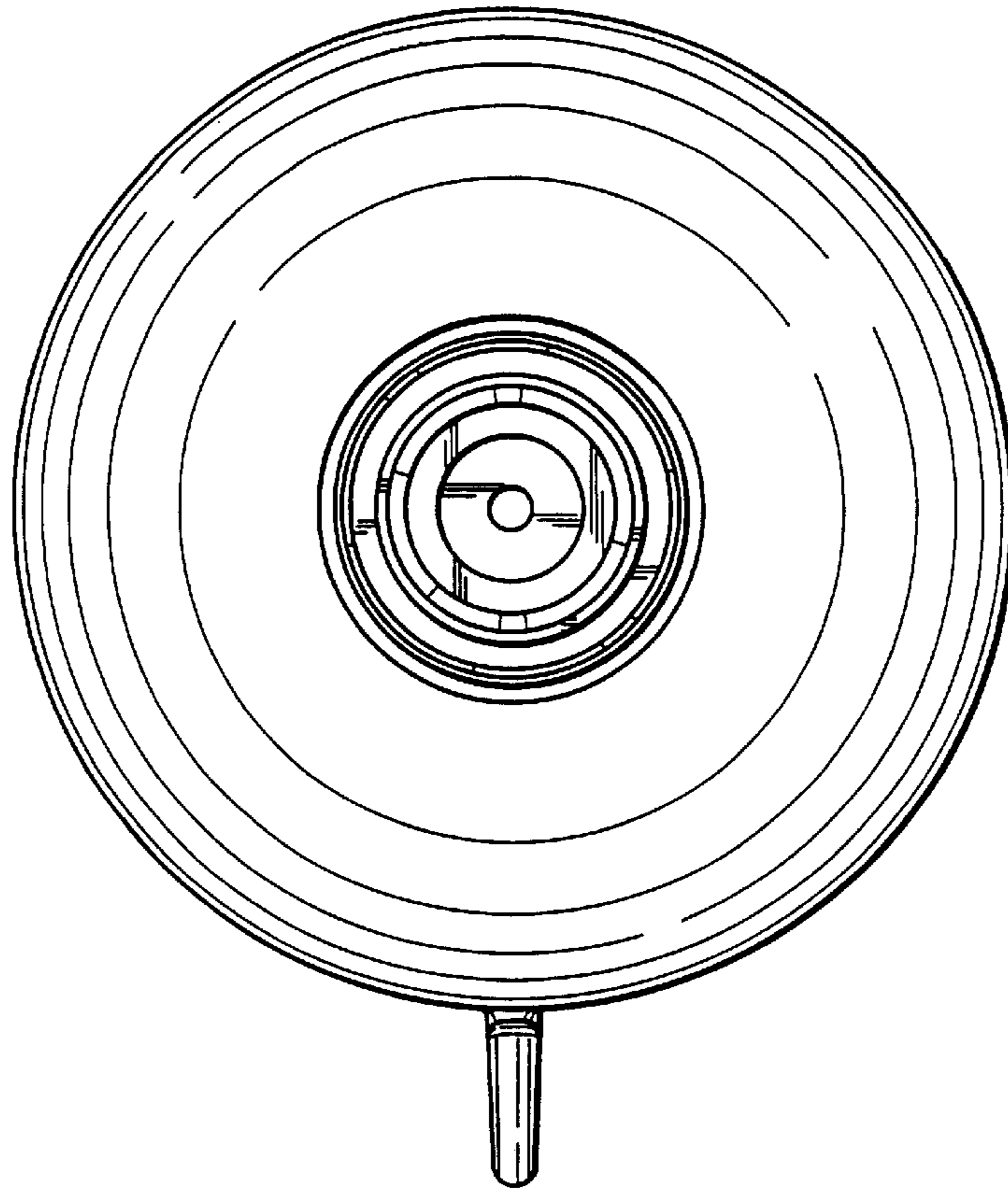


FIG. 4

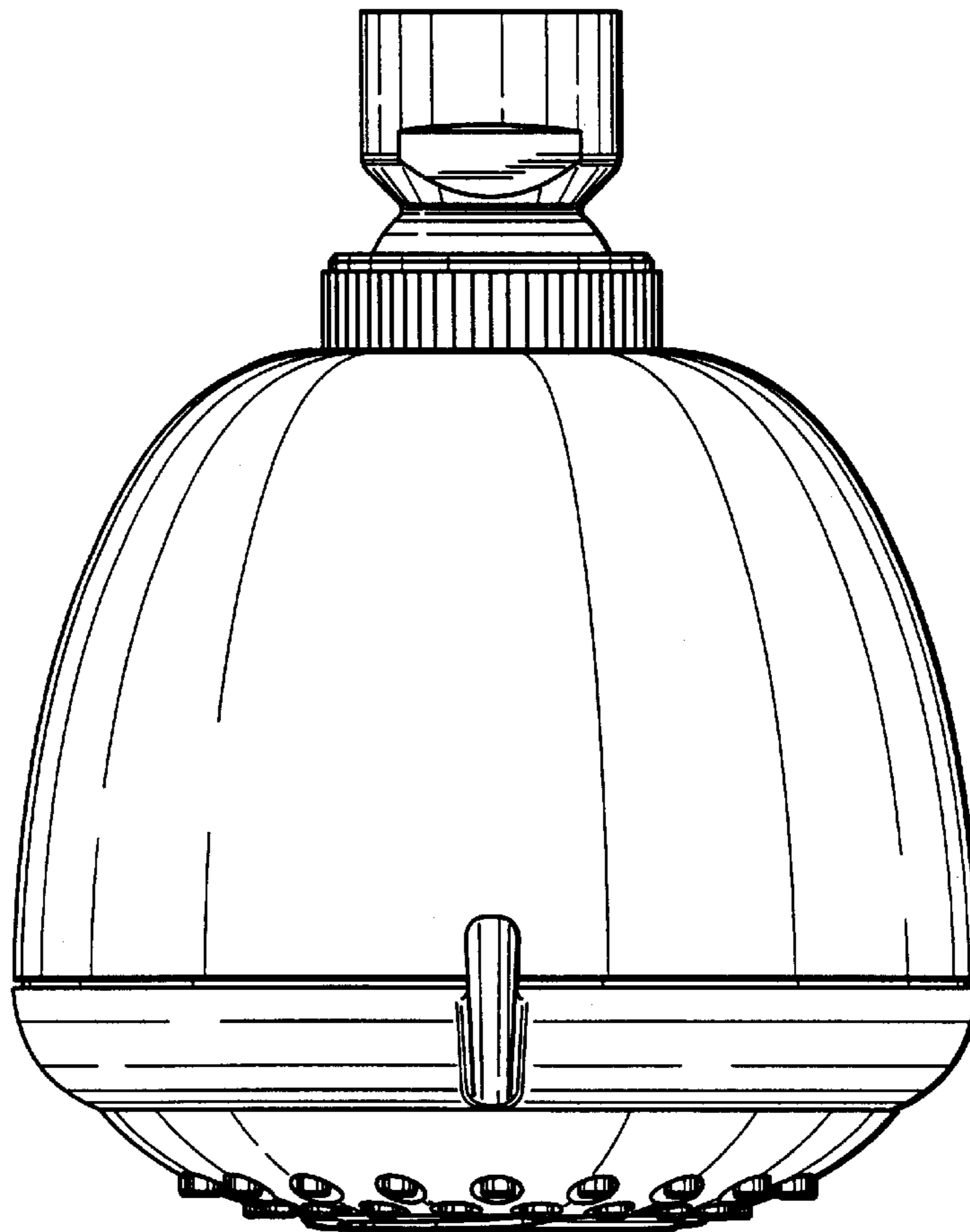


FIG. 5

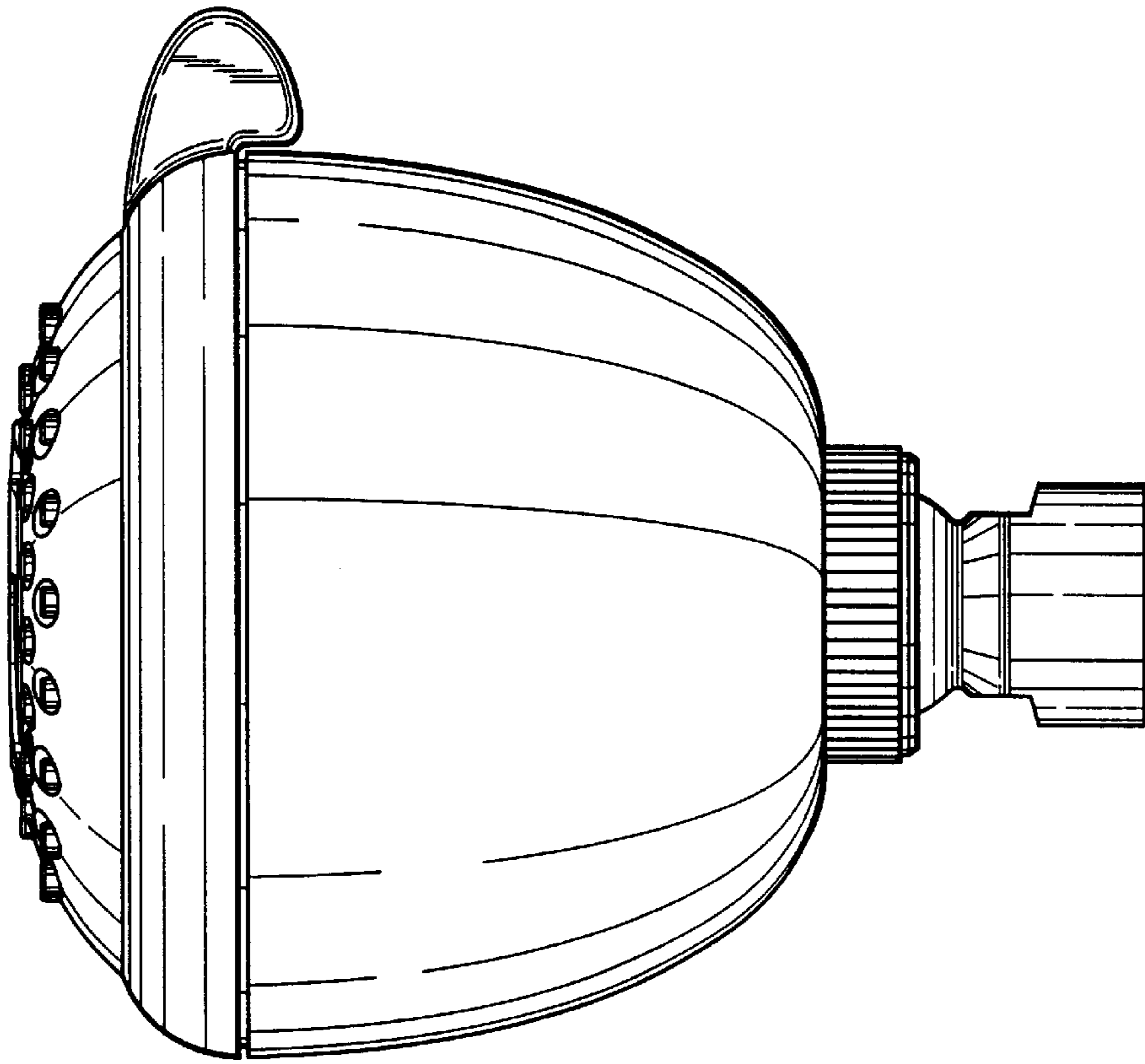


FIG. 7

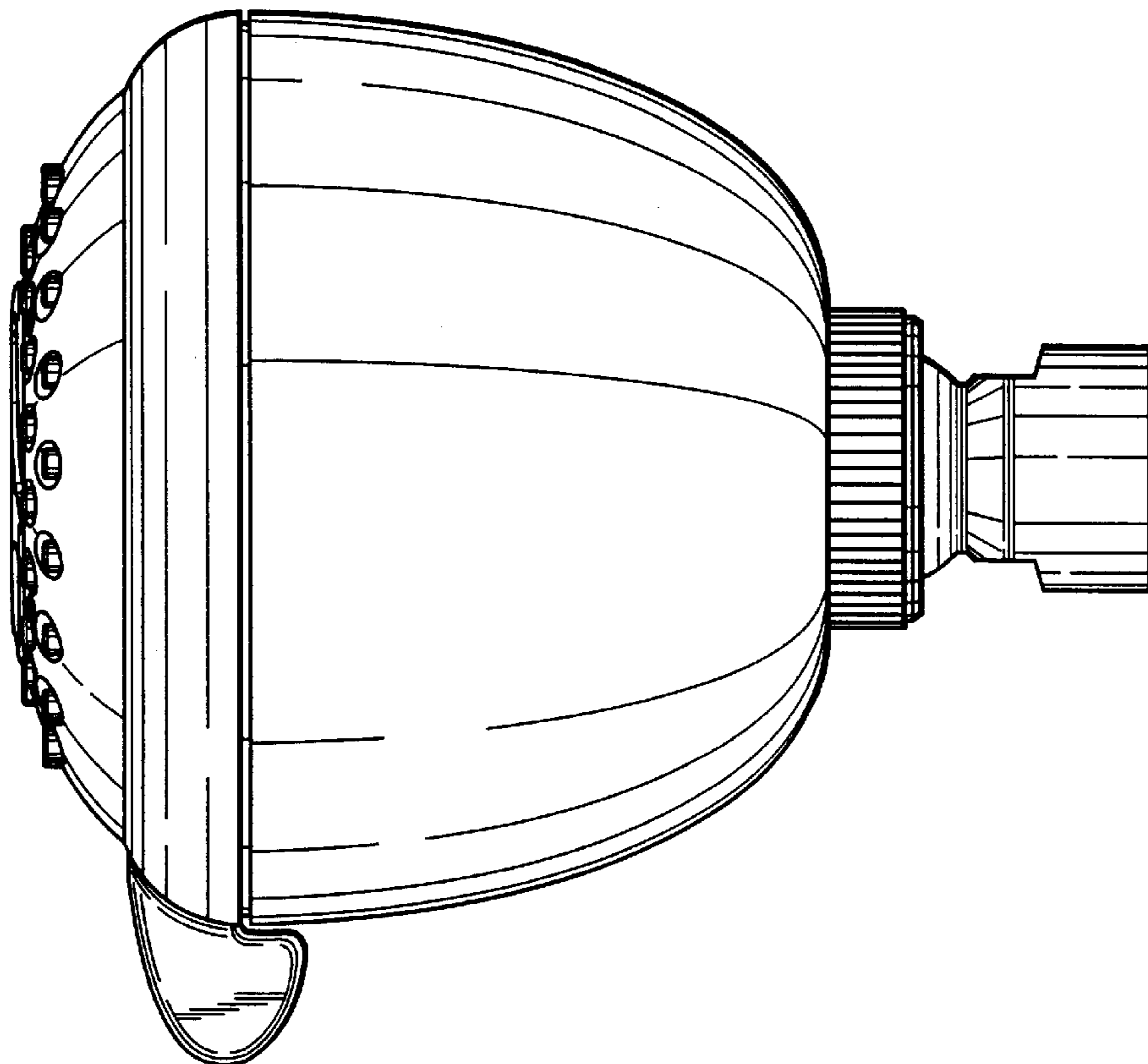


FIG. 6