



US00D443024S

(12) **United States Design Patent**
Wu

(10) **Patent No.:** **US D443,024 S**

(45) **Date of Patent:** **** May 29, 2001**

(54) **SHOWER HEAD**

(76) Inventor: **James Wu**, 1F, 1, Alley 16, Lane 40,
Jinn Te Rd., Taichung (TW)

(**) Term: **14 Years**

(21) Appl. No.: **29/095,208**

(22) Filed: **Oct. 15, 1998**

(51) **LOC (7) Cl.** **23-01**

(52) **U.S. Cl.** **D23/229**

(58) **Field of Search** D23/213-4, 228-230;
239/414-5, 394, 460-2, 459; 4/605, 615

(56) **References Cited**

U.S. PATENT DOCUMENTS

D. 355,951	*	2/1995	Ran	D23/213
D. 361,120	*	8/1995	Fan	D23/213
D. 369,851	*	5/1996	Huang	D23/213
D. 385,331	*	10/1997	Andrus	D23/213
5,749,552	*	5/1998	Fan	4/605

OTHER PUBLICATIONS

Craftech brochure; item #02-0002, Aug. 1995.*

* cited by examiner

Primary Examiner—Robin V. Taylor

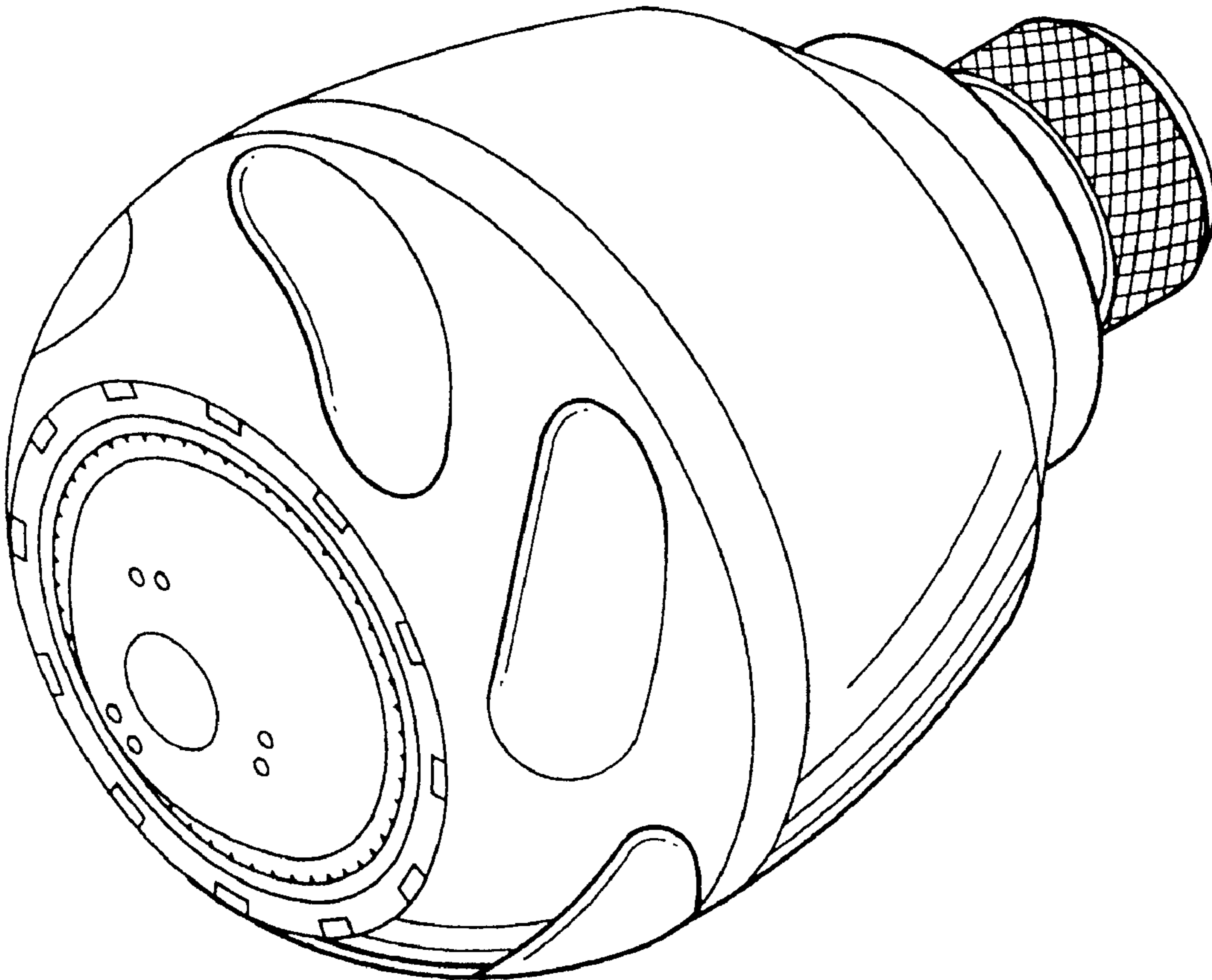
(57) **CLAIM**

The ornamental design for a shower head, as shown and described.

DESCRIPTION

FIG. 1 is a front-right bottom perspective view of a shower head, showing my new design;
FIG. 2 is a front elevational view thereof;
FIG. 3 is a right side elevational view thereof;
FIG. 4 is a left side elevational view thereof;
FIG. 5 is a top plan view thereof;
FIG. 6 is a bottom plan view thereof; and,
FIG. 7 is a rear elevational view thereof.

1 Claim, 7 Drawing Sheets



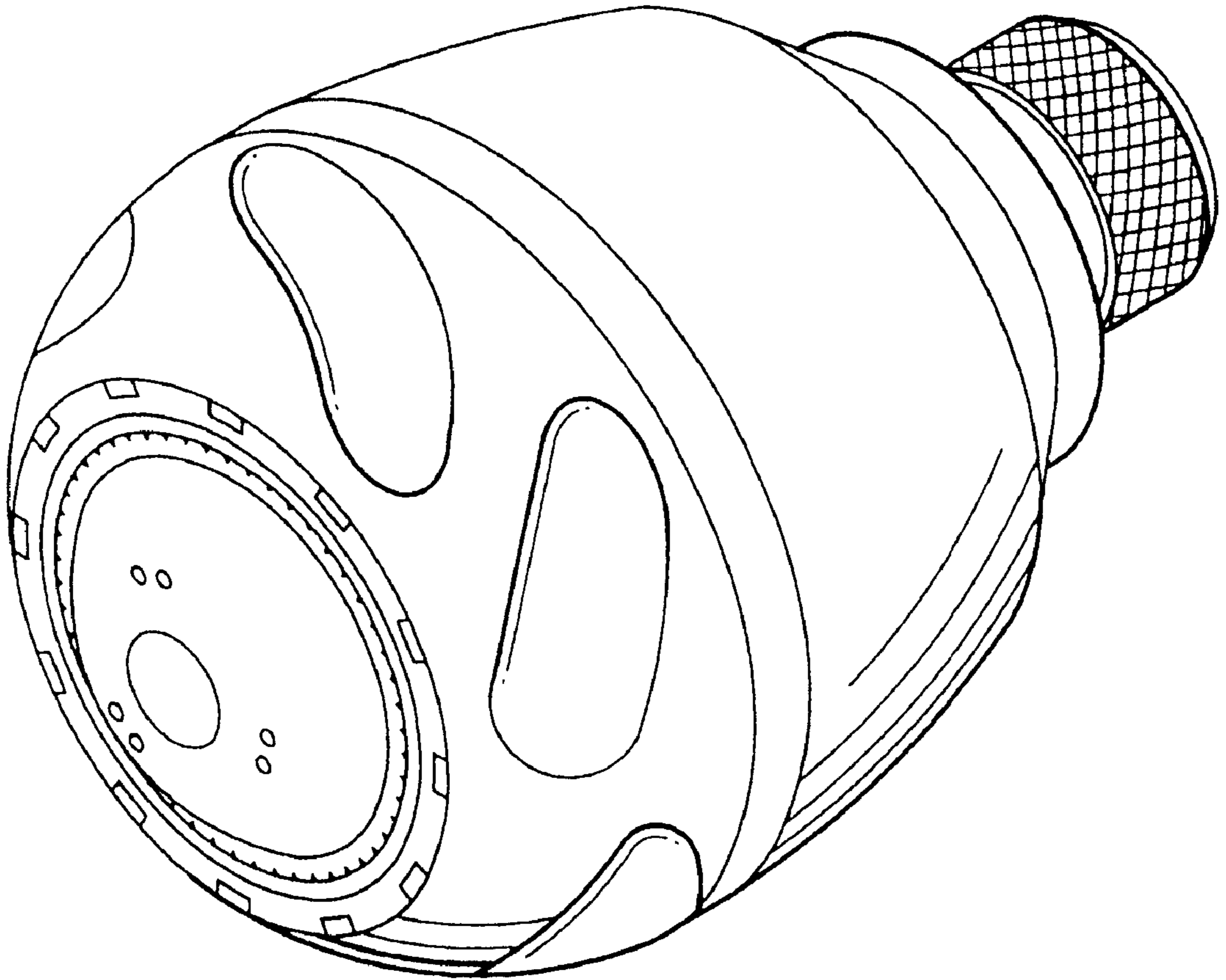


FIG. 1

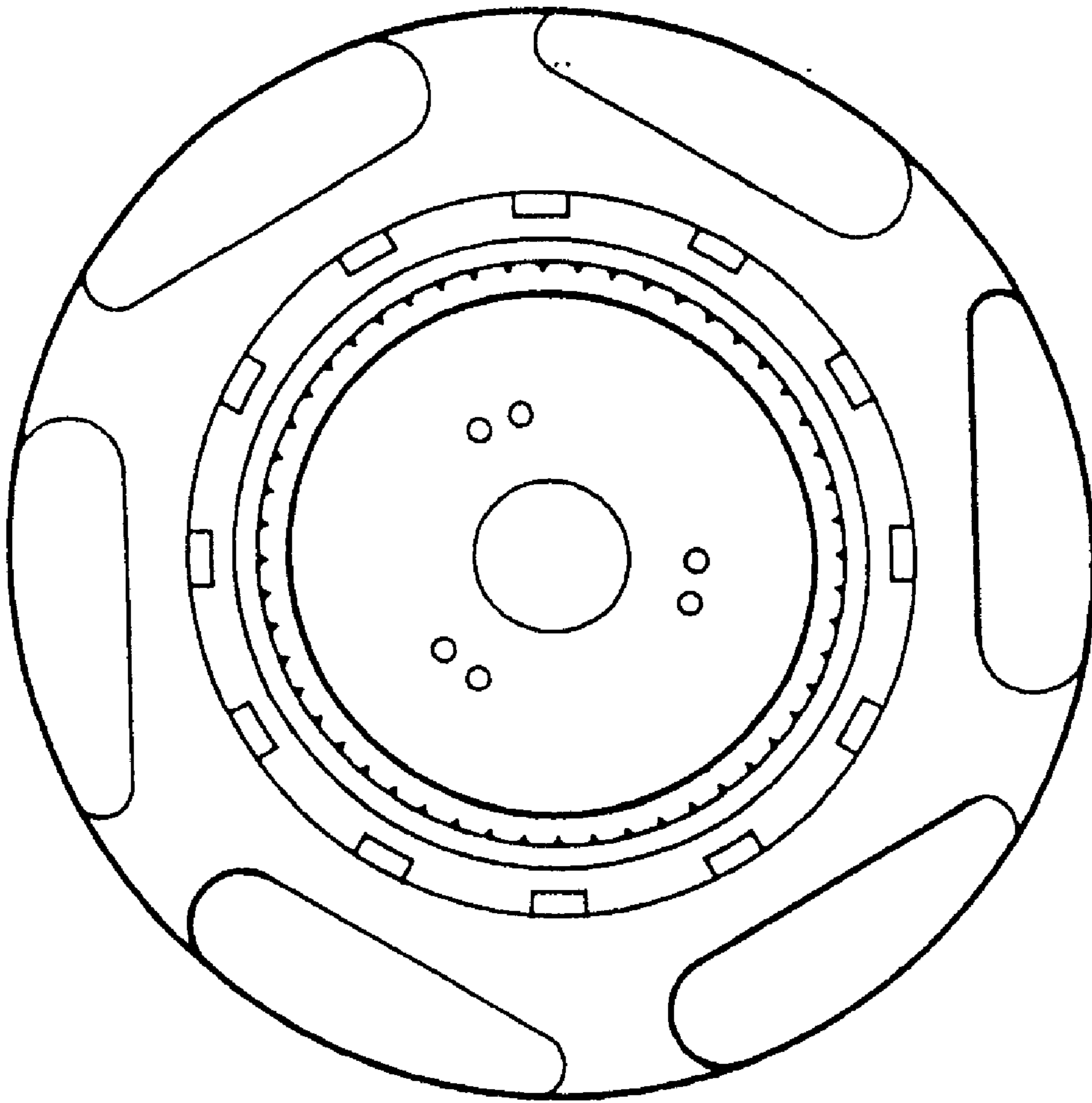


FIG. 2

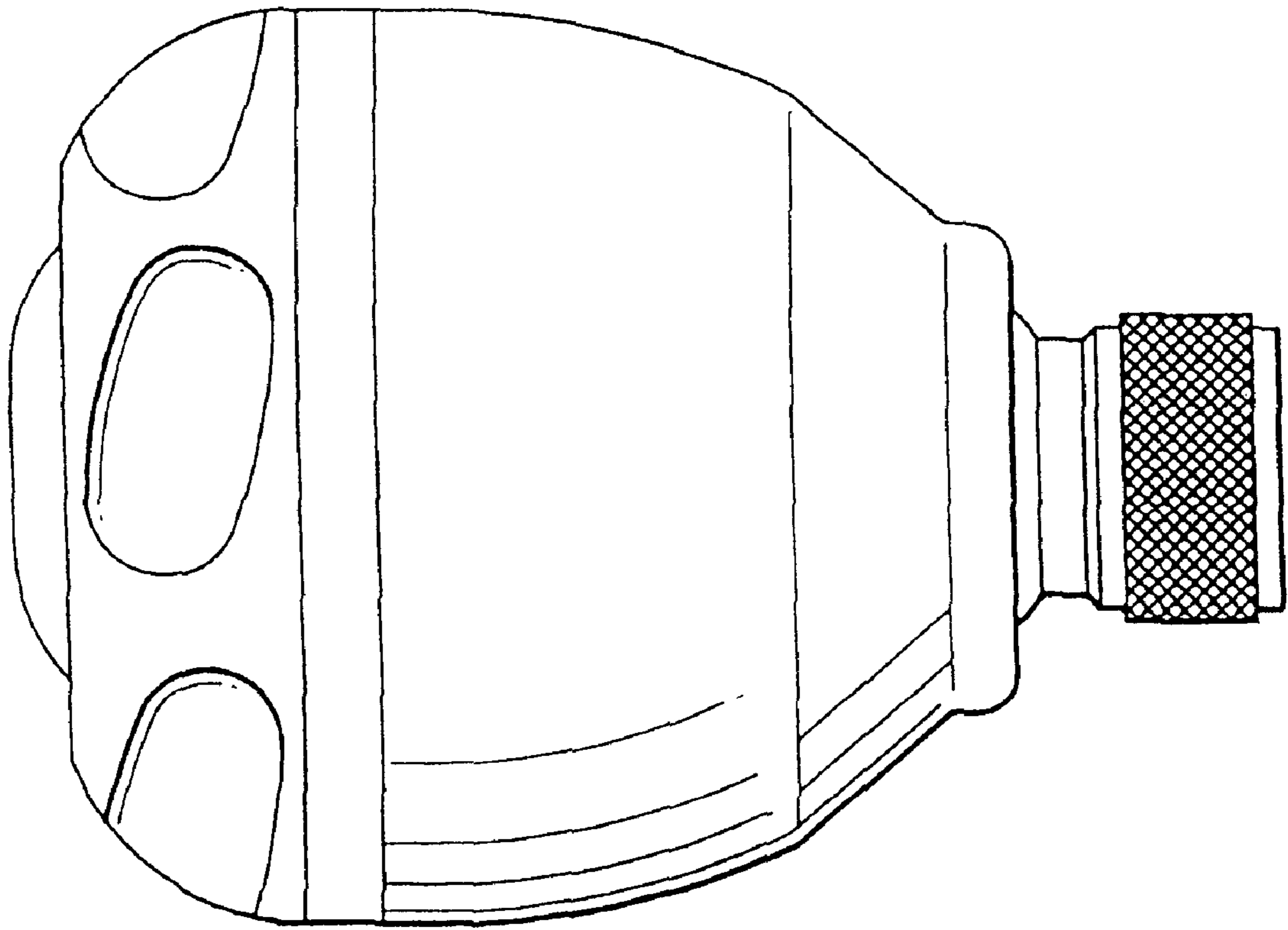


FIG. 3

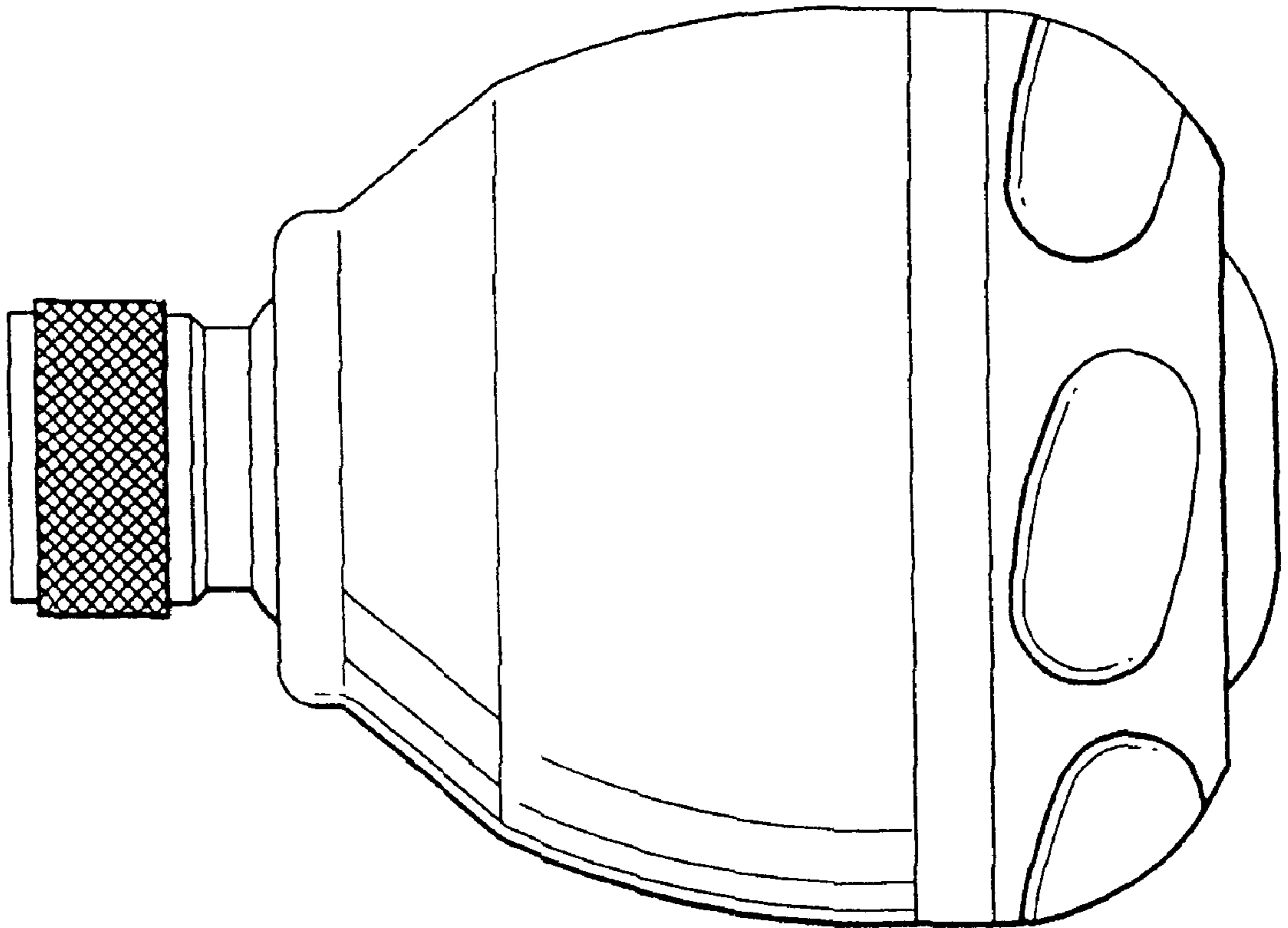


FIG. 4

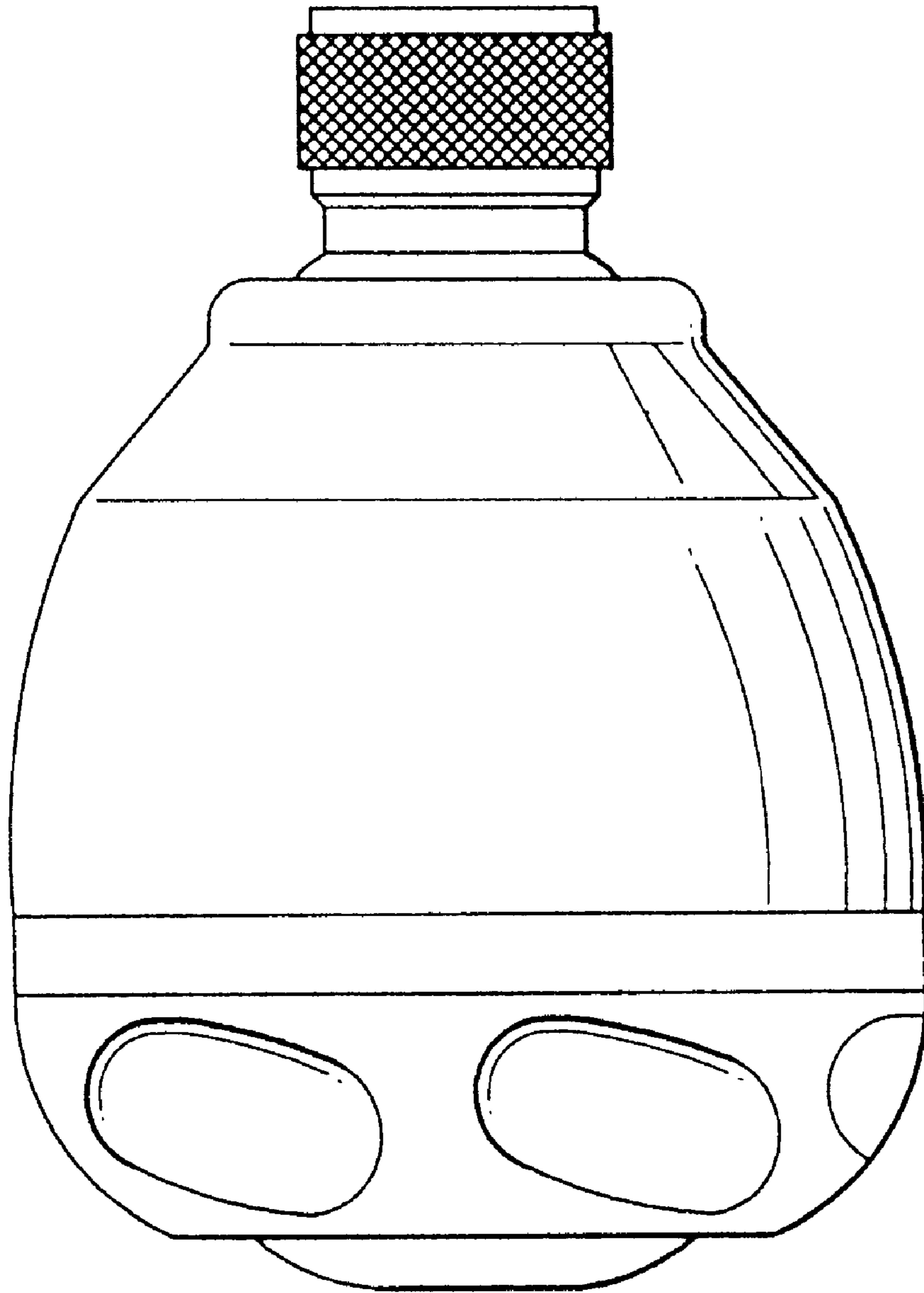


FIG. 5

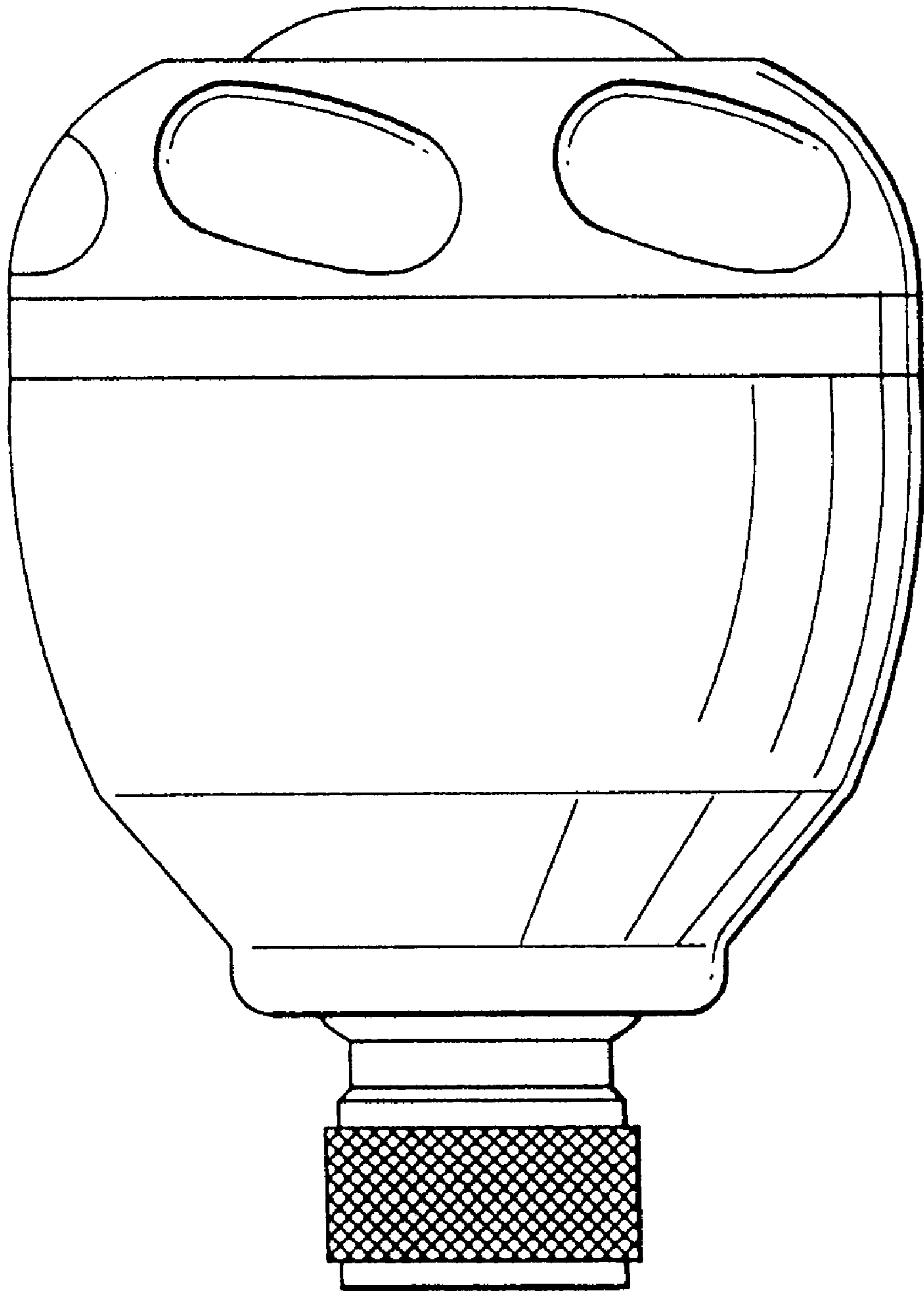


FIG. 6

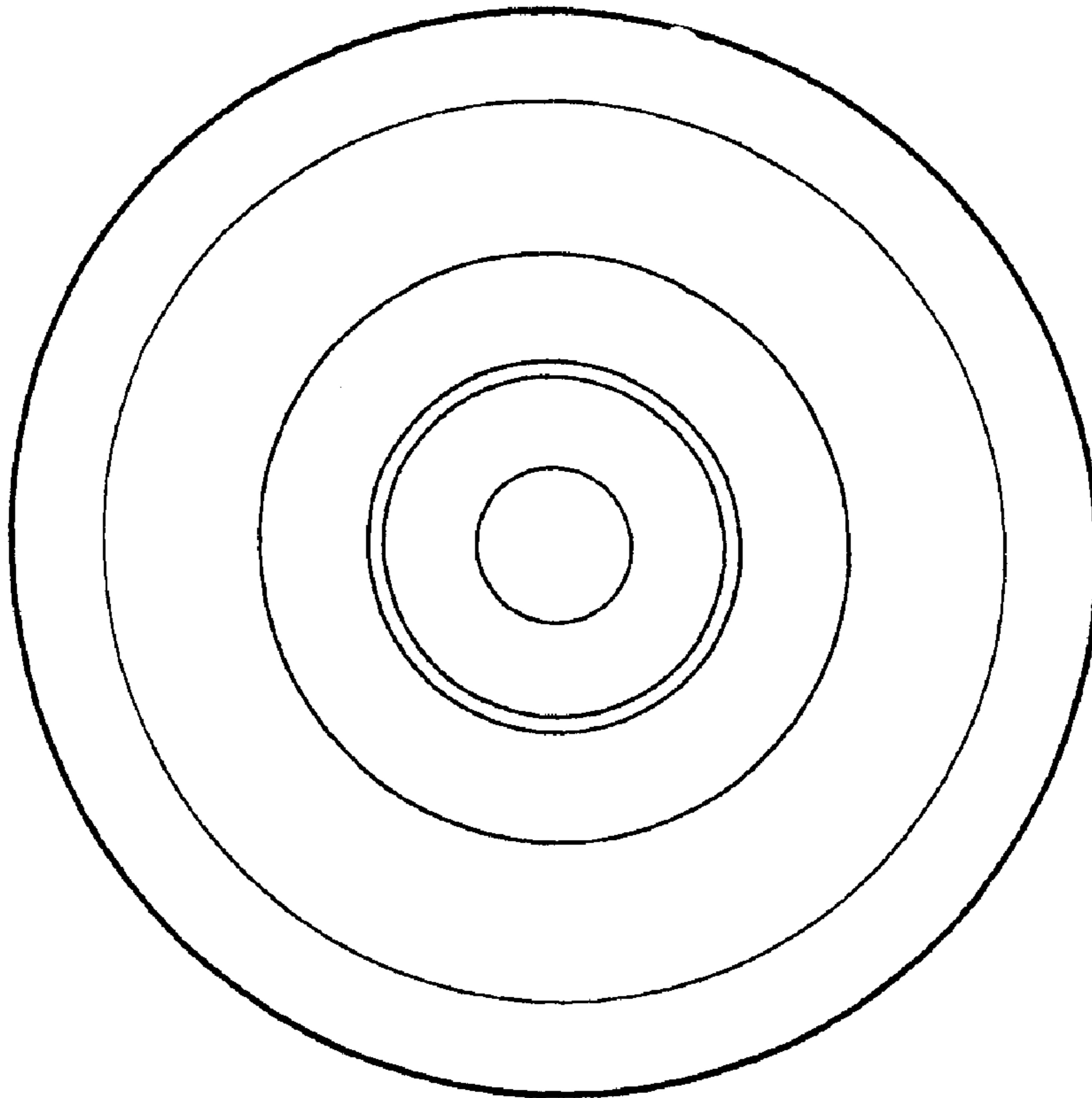


FIG. 7