



US00D443022S

(12) **United States Design Patent**
Heren et al.

(10) **Patent No.:** **US D443,022 S**

(45) **Date of Patent:** **** May 29, 2001**

(54) **PLASTIC SPRINKLER BASE**

OTHER PUBLICATIONS

(75) Inventors: **Lawrence P. Heren**, East Peoria; **Scott Jacobs**, Bloomington, both of IL (US)

Nelson catalog; item N-48FC ; p. 7, Jan. 1986.*

* cited by examiner

(73) Assignee: **L. R. Nelson Corporation**, Peoria, IL (US)

Primary Examiner—Robin V. Taylor

(74) *Attorney, Agent, or Firm*—Mayer, Brown, & Platt

(**) Term: **14 Years**

(57) **CLAIM**

(21) Appl. No.: **29/124,492**

The ornamental design for a plastic sprinkler base, as shown and described.

(22) Filed: **Jun. 6, 2000**

(51) **LOC (7) Cl.** **23-01**

(52) **U.S. Cl.** **D23/221**

(58) **Field of Search** D23/213, 221,
D23/214; 239/273, 276

DESCRIPTION

FIG. 1 is a isometric view thereof;
FIG. 2 is a top plan view thereof;
FIG. 3 is a bottom plan view thereof;
FIG. 4 is a front elevational view showing my new design;
FIG. 5 is a right side elevational view thereof;
FIG. 6 is a left side elevational view thereof; and,
FIG. 7 is a rear elevational view thereof.

(56) **References Cited**

U.S. PATENT DOCUMENTS

- D. 374,914 * 10/1996 Wang D23/214
- D. 404,463 * 1/1999 Antel et al. D23/221
- D. 412,556 * 8/1999 Hsin-Fa D23/214

1 Claim, 3 Drawing Sheets

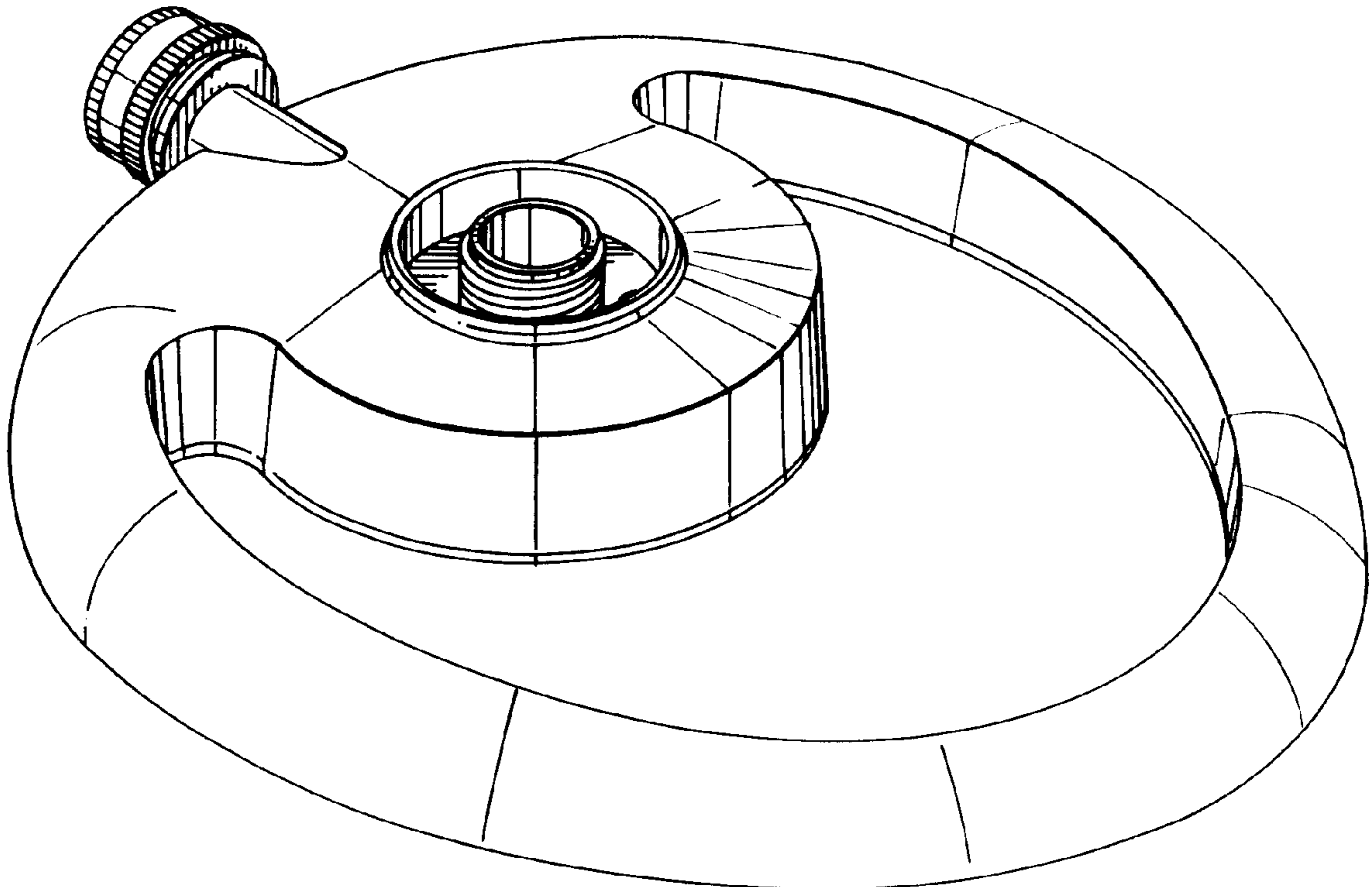


FIG. 1

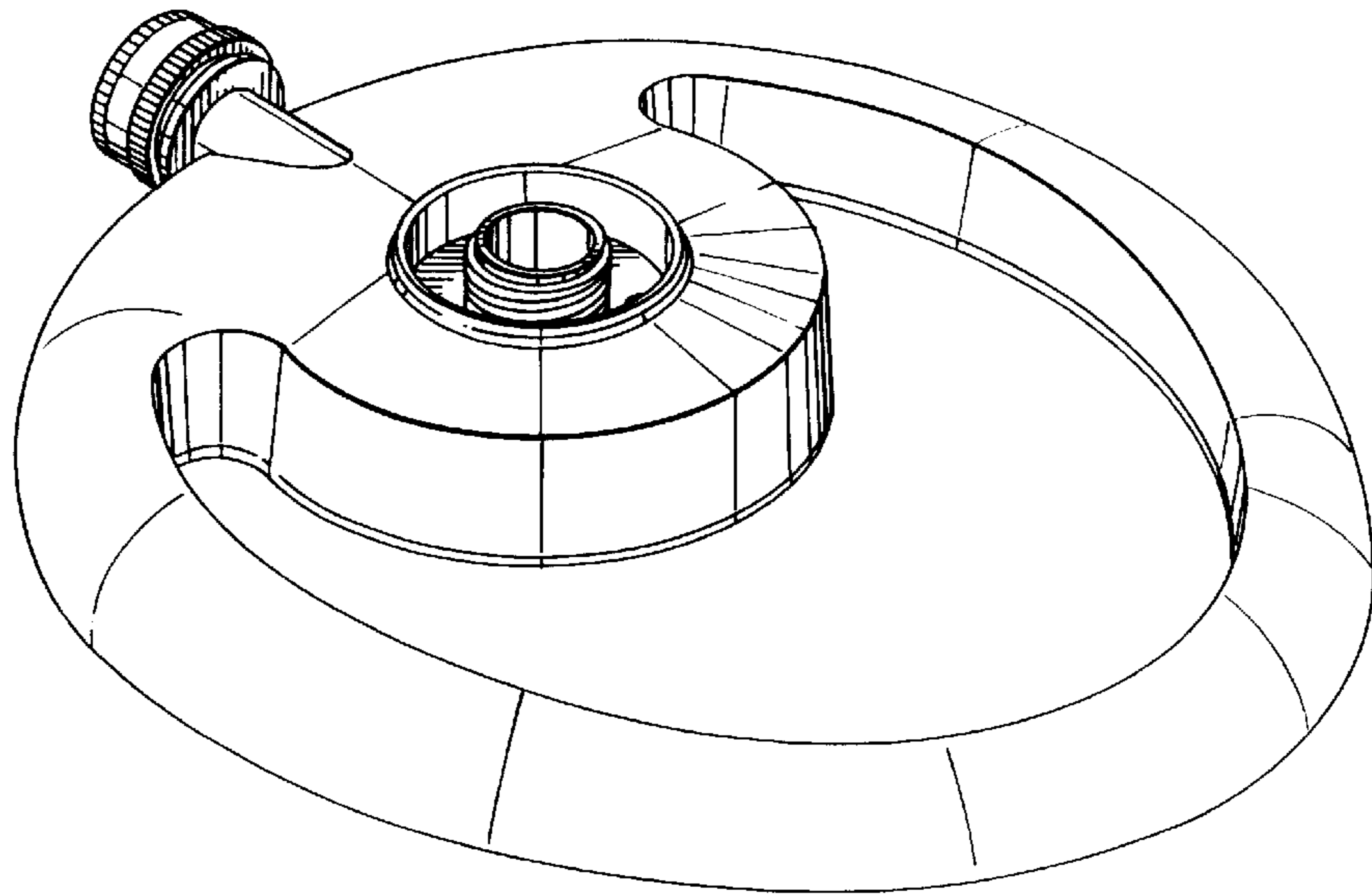


FIG. 2

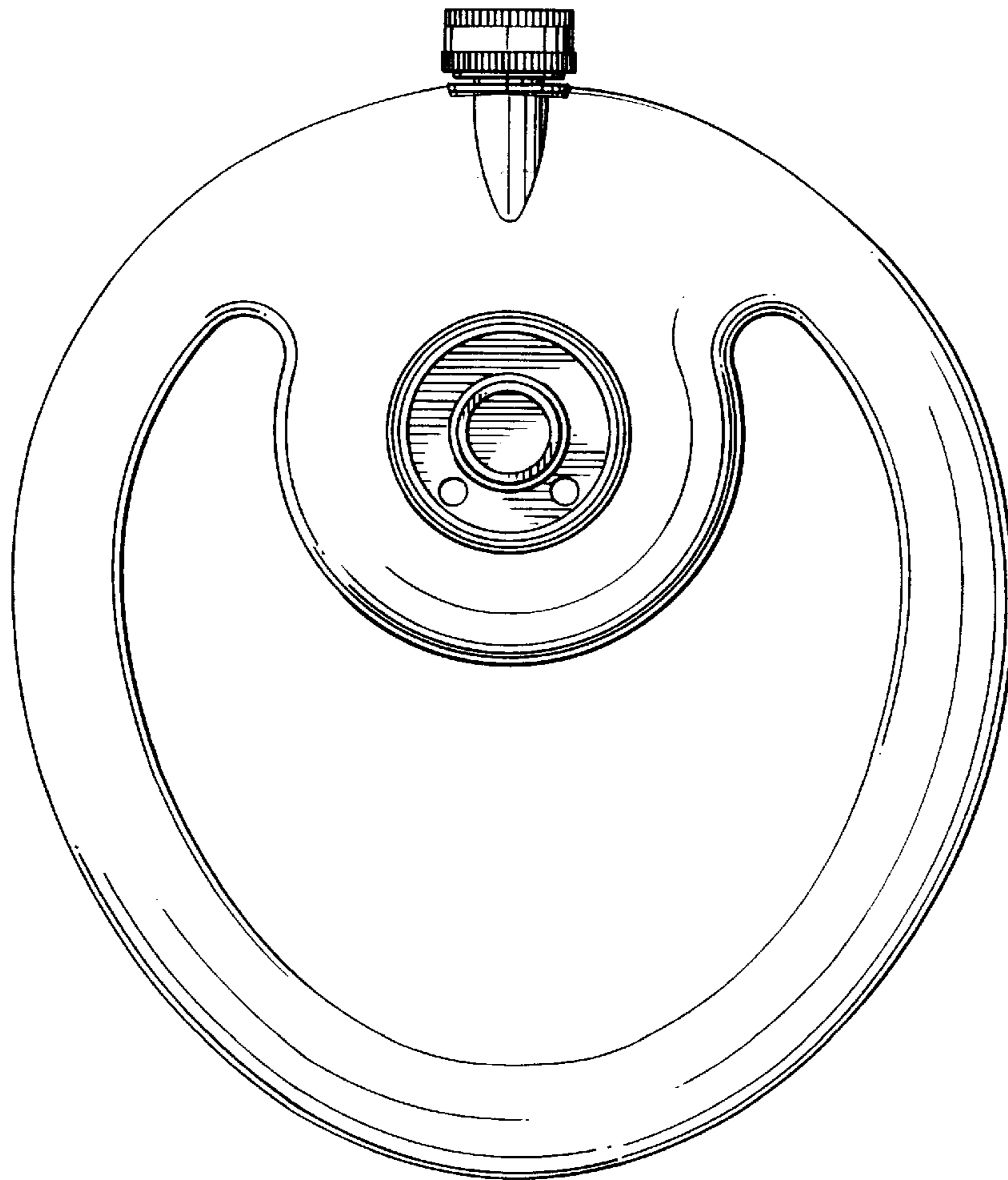


FIG. 3

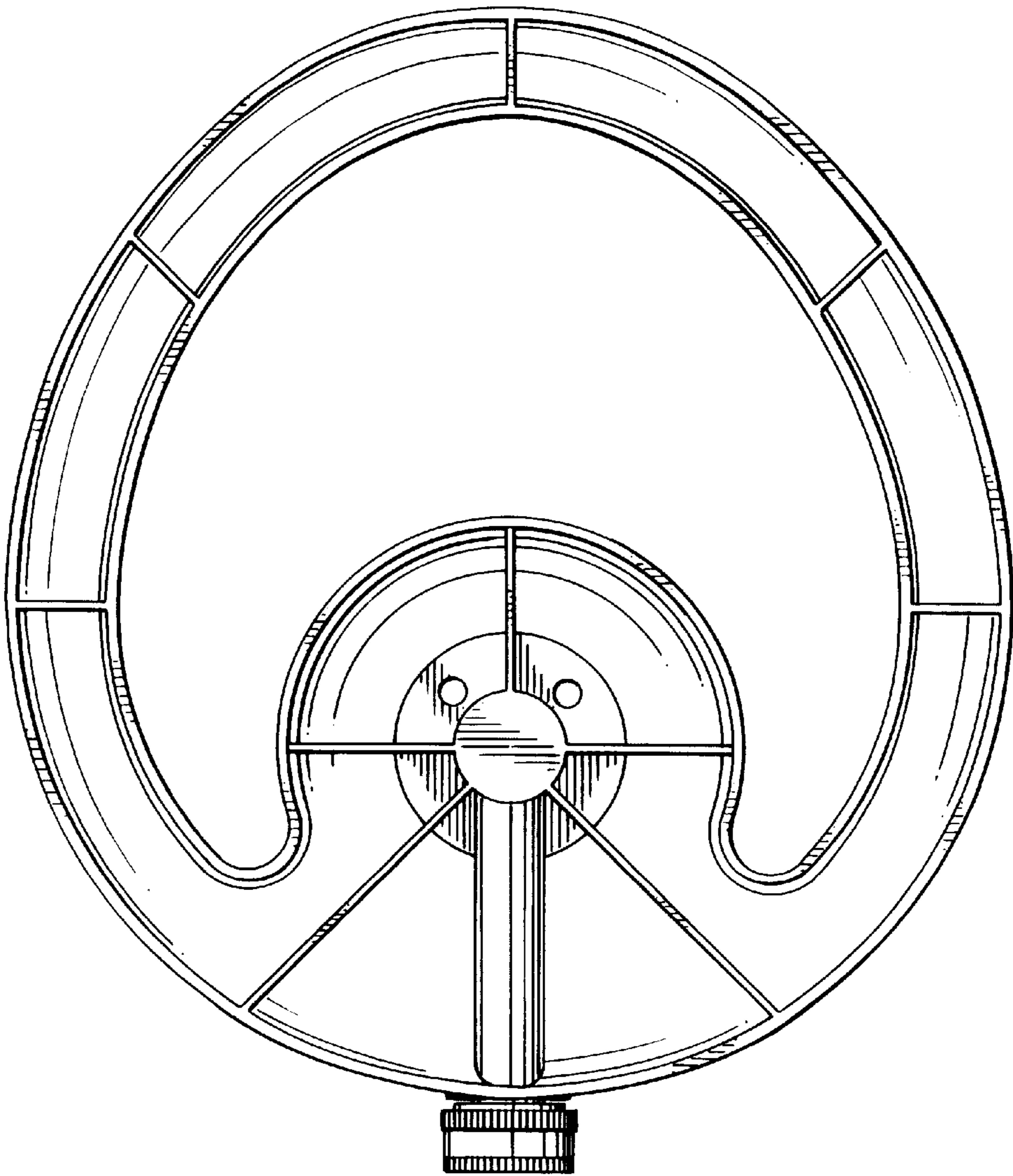


FIG. 4

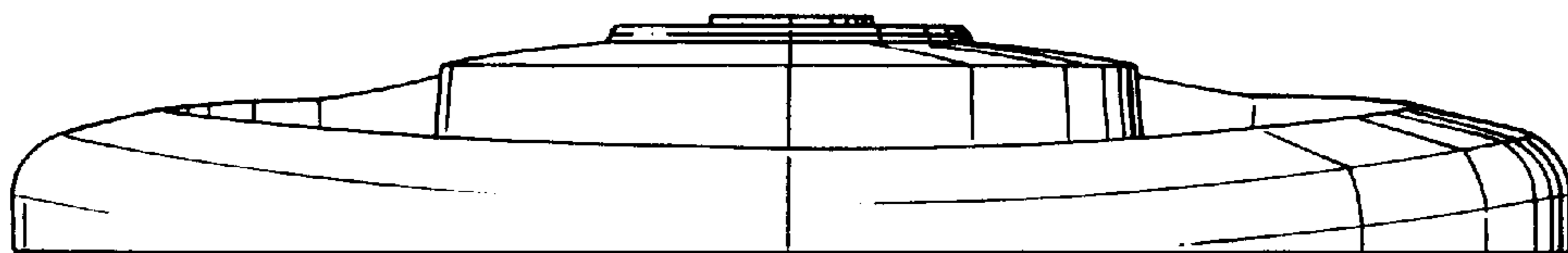


FIG. 5

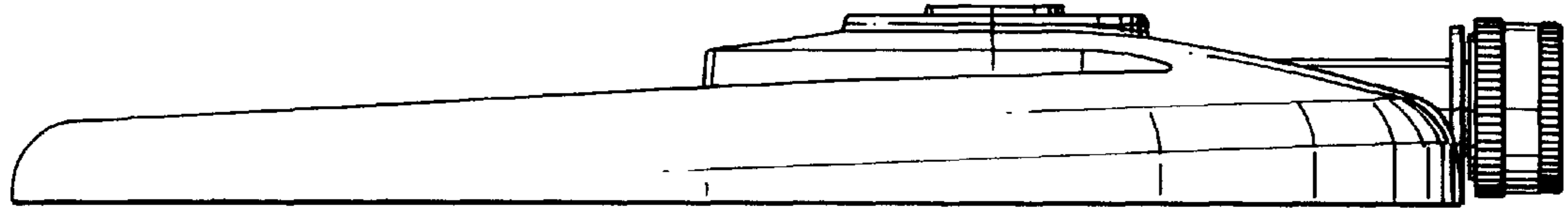


FIG. 6

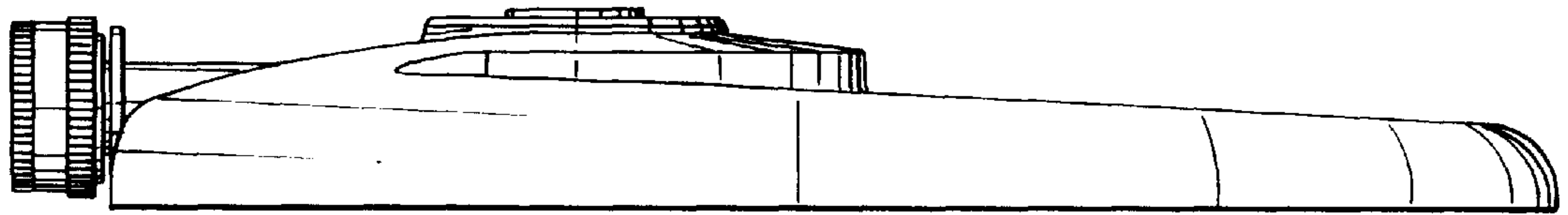


FIG. 7

