



US00D443020S

(12) **United States Design Patent**  
**Ratza et al.**

(10) **Patent No.:** **US D443,020 S**

(45) **Date of Patent:** **\*\* May 29, 2001**

- (54) **FISHING ROD HOLDER**
- (75) Inventors: **Clifton J. Ratza**, Grand Rapids;  
**Christopher A. Rossman**, Comstock  
Park, both of MI (US)
- (73) Assignee: **Attwood Corporation**, Lowell, MI  
(US)
- (\*\*) Term: **14 Years**
- (21) Appl. No.: **29/115,401**
- (22) Filed: **Dec. 13, 1999**
- (51) **LOC (7) Cl.** ..... **22-05**
- (52) **U.S. Cl.** ..... **D22/147**
- (58) **Field of Search** ..... D22/148, 147,  
D22/199; D6/417, 418, 429, 462; 248/251,  
511, 514, 520, 530

5,438,789	8/1995	Emory .....	43/21.2
5,501,028	3/1996	Hull et al. ....	43/17
5,722,630	3/1998	Chu et al. ....	248/514
5,761,844	6/1998	Horschel .....	43/21.2
5,772,048	6/1998	Sopcisak .....	211/20
5,782,308	7/1998	Latten et al. ....	72/481.6
5,871,196	2/1999	Martelli .....	248/514

**OTHER PUBLICATIONS**

Cabela's Spring 98 Annual Catalog, "Standard Rod Holder", p. 37.\*  
 Cabela's Master Catalog Spring 2000—Edition II, Attwood, Pro Series Rod Holder, p .68.\*  
 "Rhode Gear" Bicycle Carrier by Rhode Gear U.S.A., Providence, Rhode Island (3 pages), dated prior to Dec. 13, 1999.

\* cited by examiner

*Primary Examiner*—Louis S. Zarfaz  
*Assistant Examiner*—Catherine R. Oliver  
 (74) *Attorney, Agent, or Firm*—Price, Heneveld, Cooper, DeWitt & Litton

(56) **References Cited**  
**U.S. PATENT DOCUMENTS**

D. 306,396	3/1990	Brushaber .....	D8/355
D. 348,717	* 7/1994	Ader .....	D22/147
4,363,561	12/1982	Hsieh .	
4,807,384	* 2/1989	Roberts, Sr. ....	43/21.2
4,827,654	* 5/1989	Roberts .....	43/21.2
4,830,250	5/1989	Newbold et al. ....	224/314
4,932,152	6/1990	Barlotta et al. ....	43/21.2
5,054,737	10/1991	DeLancey .....	248/515
5,056,699	10/1991	Newbold et al. ....	224/314
5,121,565	6/1992	Wille et al. ....	43/4
5,142,809	9/1992	O'Brien et al. ....	43/21.2
5,211,323	5/1993	Chimenti et al. ....	224/314
5,231,785	8/1993	Roberts .....	43/21.2
5,257,855	11/1993	Nagano .	
5,313,734	* 5/1994	Roberts .....	43/21.2
5,362,173	11/1994	Ng .....	403/320
5,363,996	11/1994	Raaber et al. ....	224/314
5,367,815	11/1994	Liou .....	43/21.2
5,409,321	4/1995	Chen .....	403/321

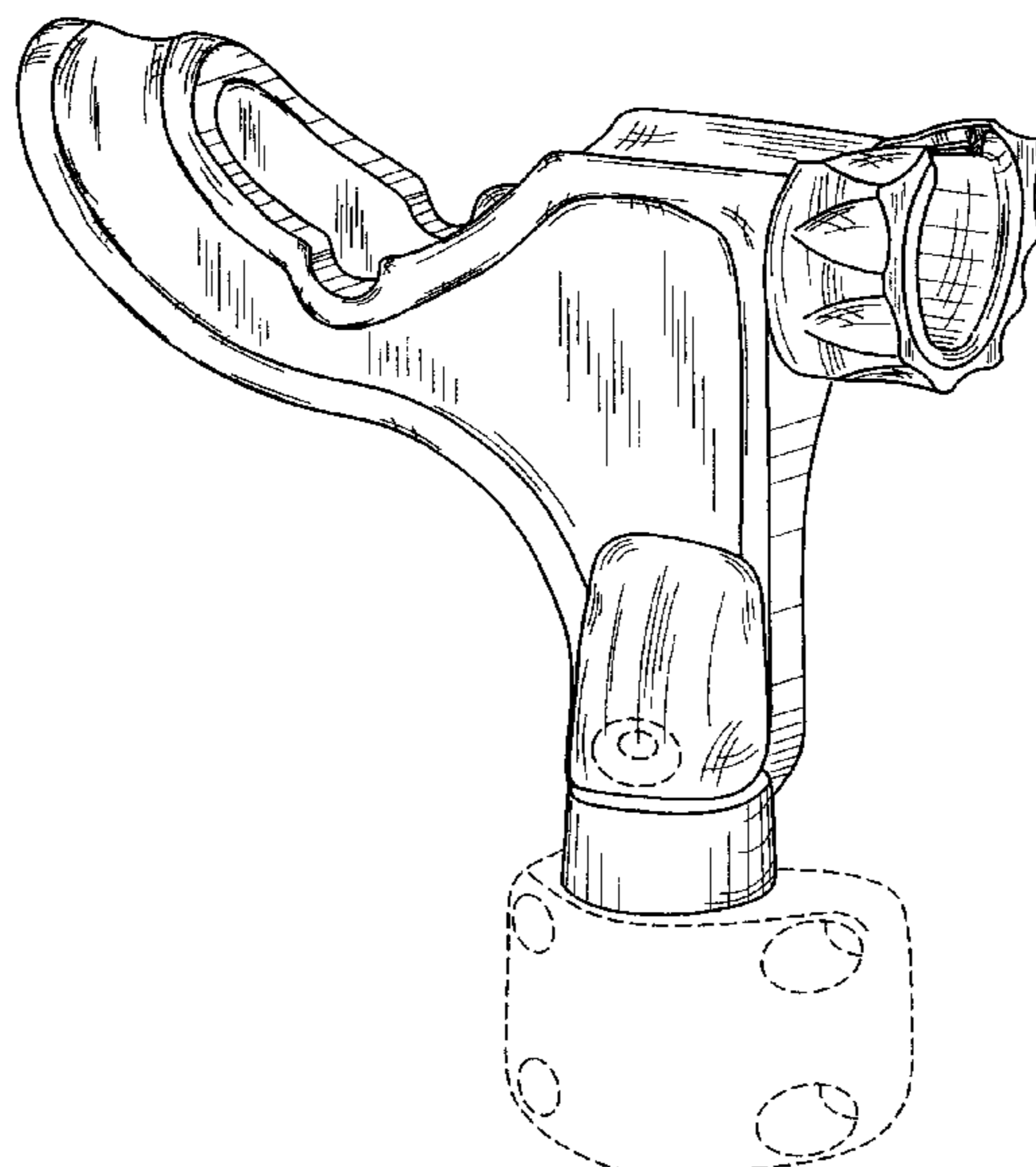
(57) **CLAIM**

The ornamental design for a fishing rod holder, as shown and described.

**DESCRIPTION**

FIG. 1 is a perspective view of a fishing rod holder, showing our new design, wherein a receiving base therefor is shown in broken lines and forms no part;  
 FIG. 2 is an enlarged front elevational view;  
 FIG. 3 is a left-hand side elevational view;  
 FIG. 4 is a right-hand side elevational view;  
 FIG. 5 is an enlarged rear elevational view;  
 FIG. 6 is a top plan view; and,  
 FIG. 7 is a bottom plan view thereof.

**1 Claim, 2 Drawing Sheets**



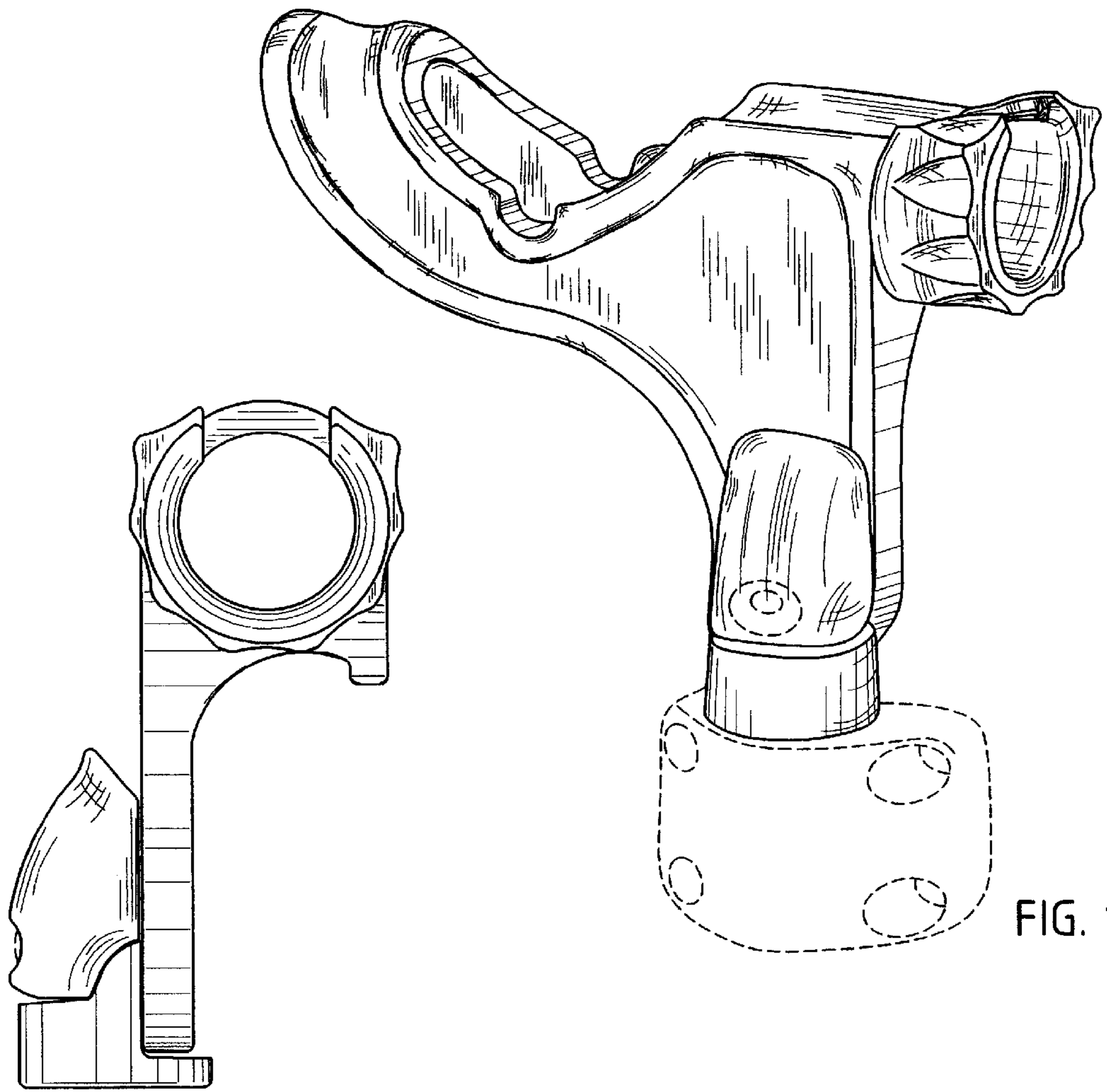


FIG. 1

FIG. 2

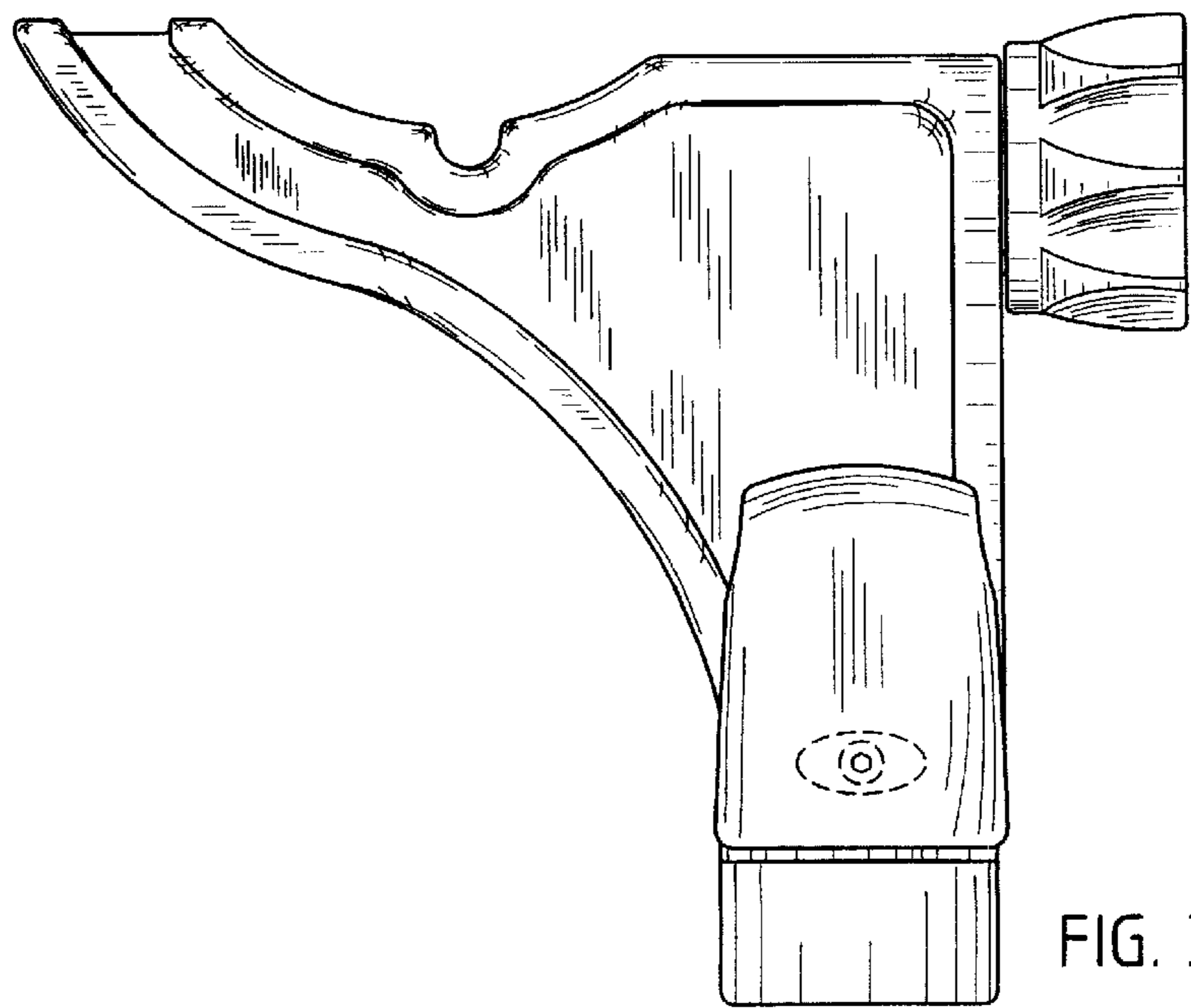


FIG. 3

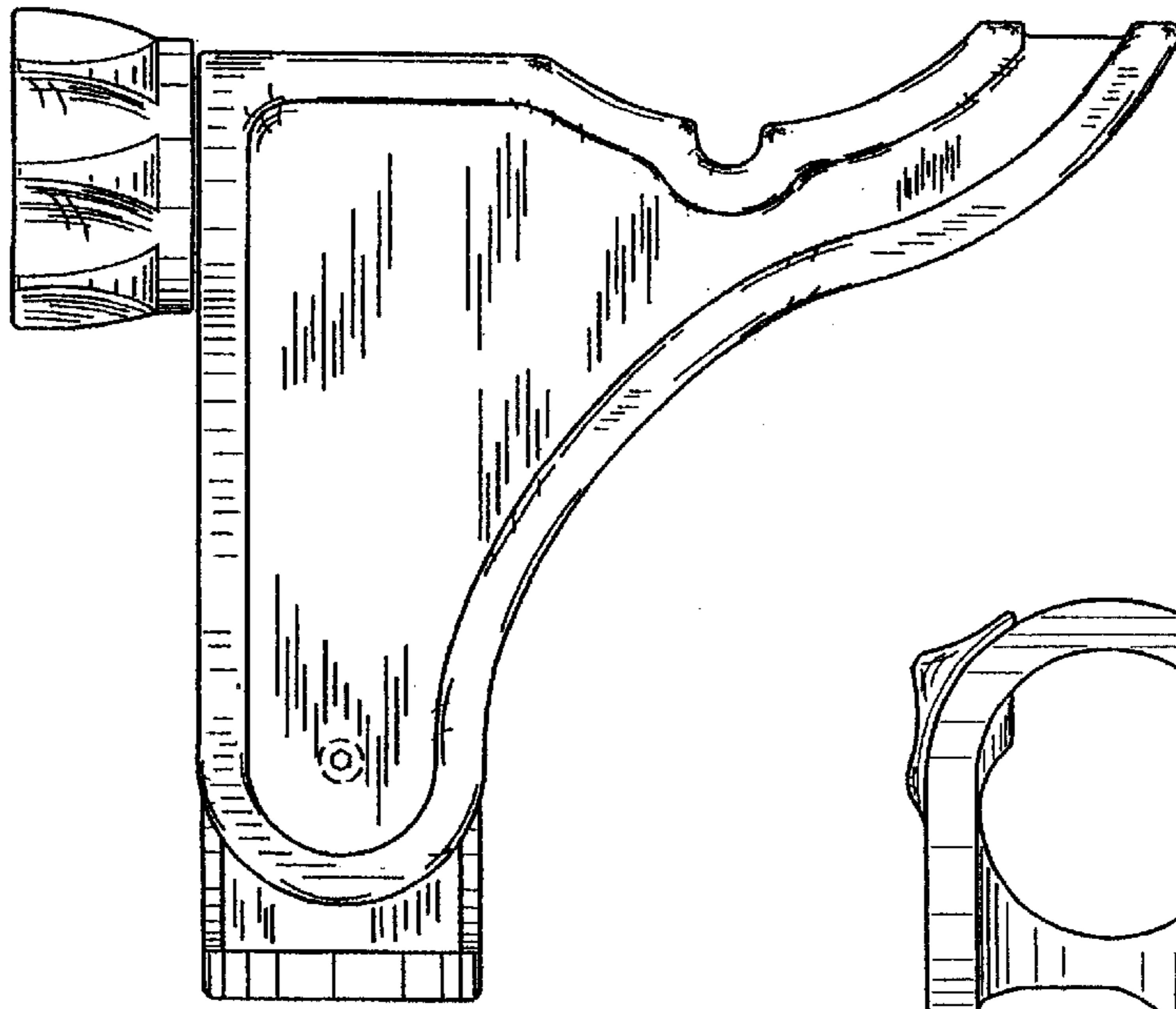


FIG. 4

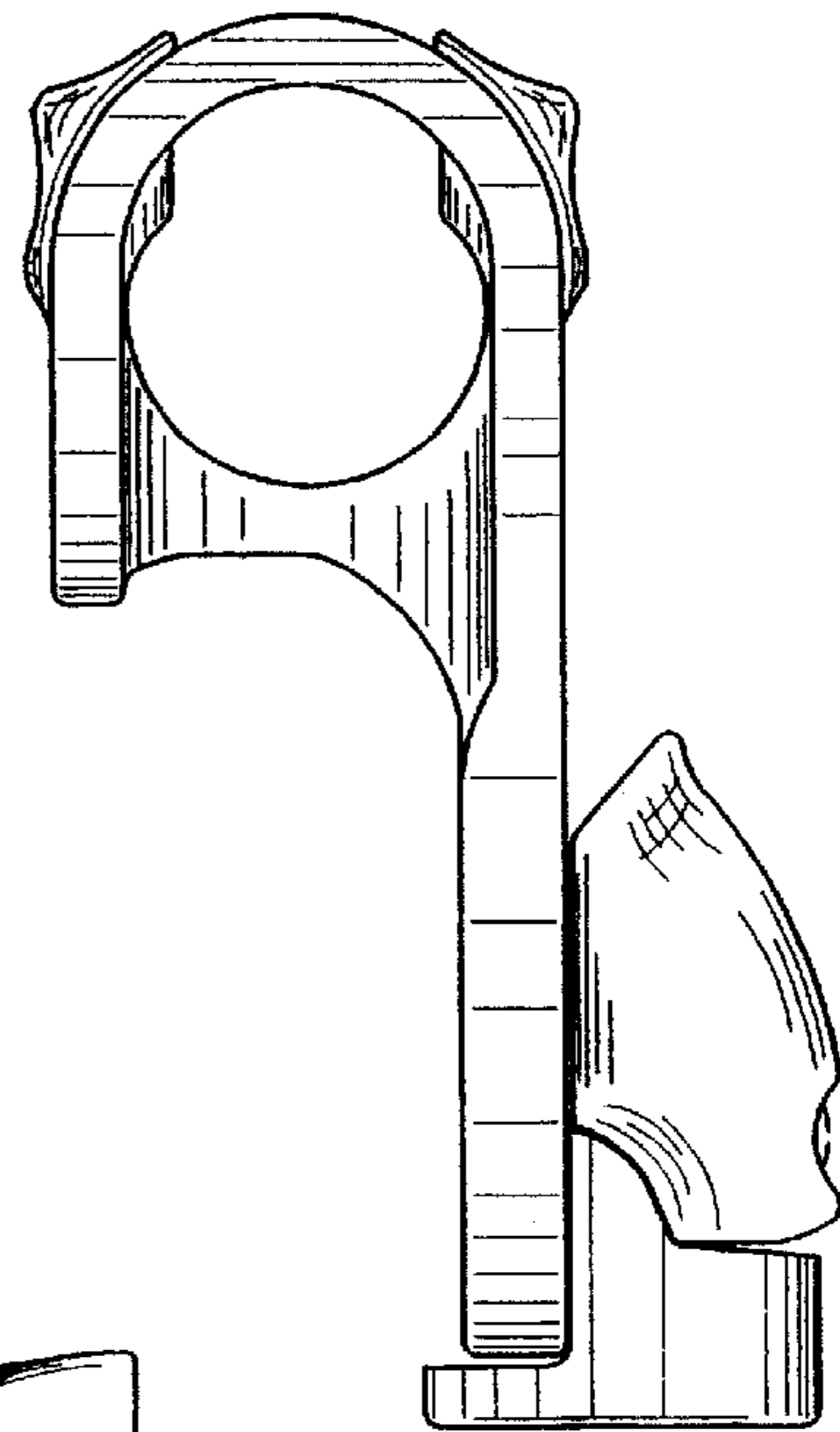


FIG. 5

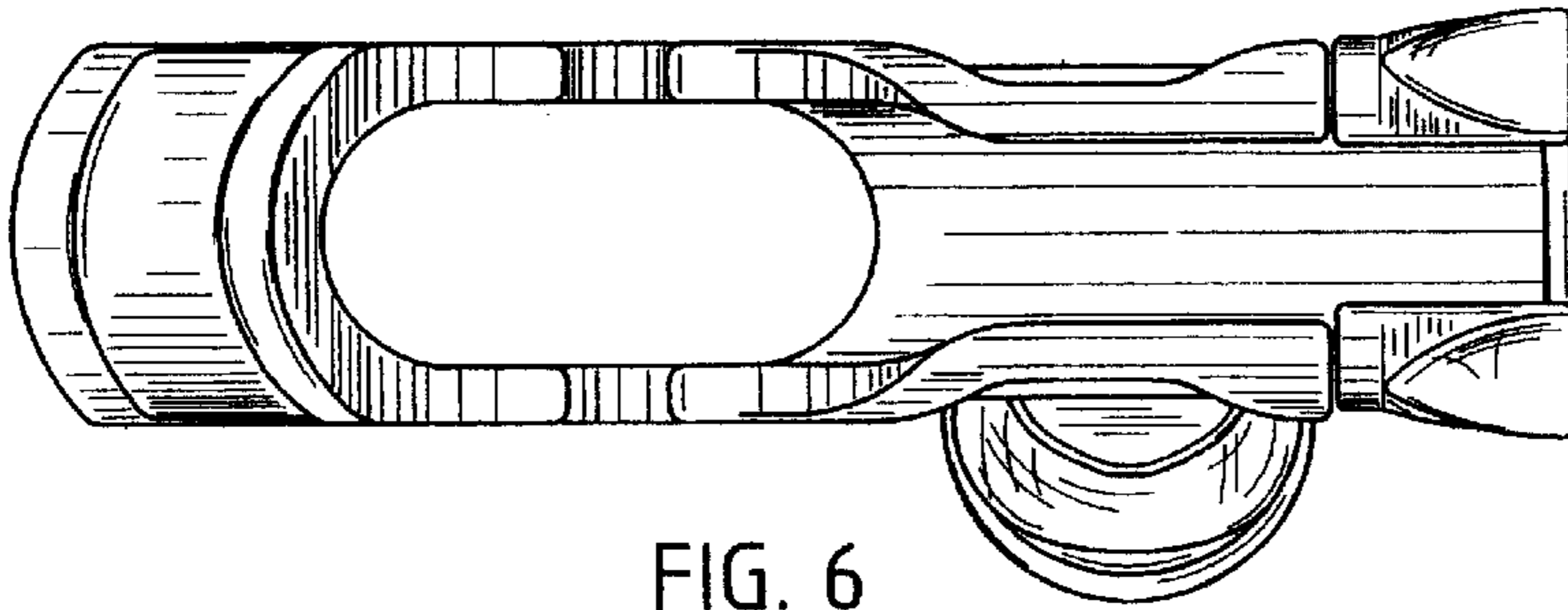


FIG. 6

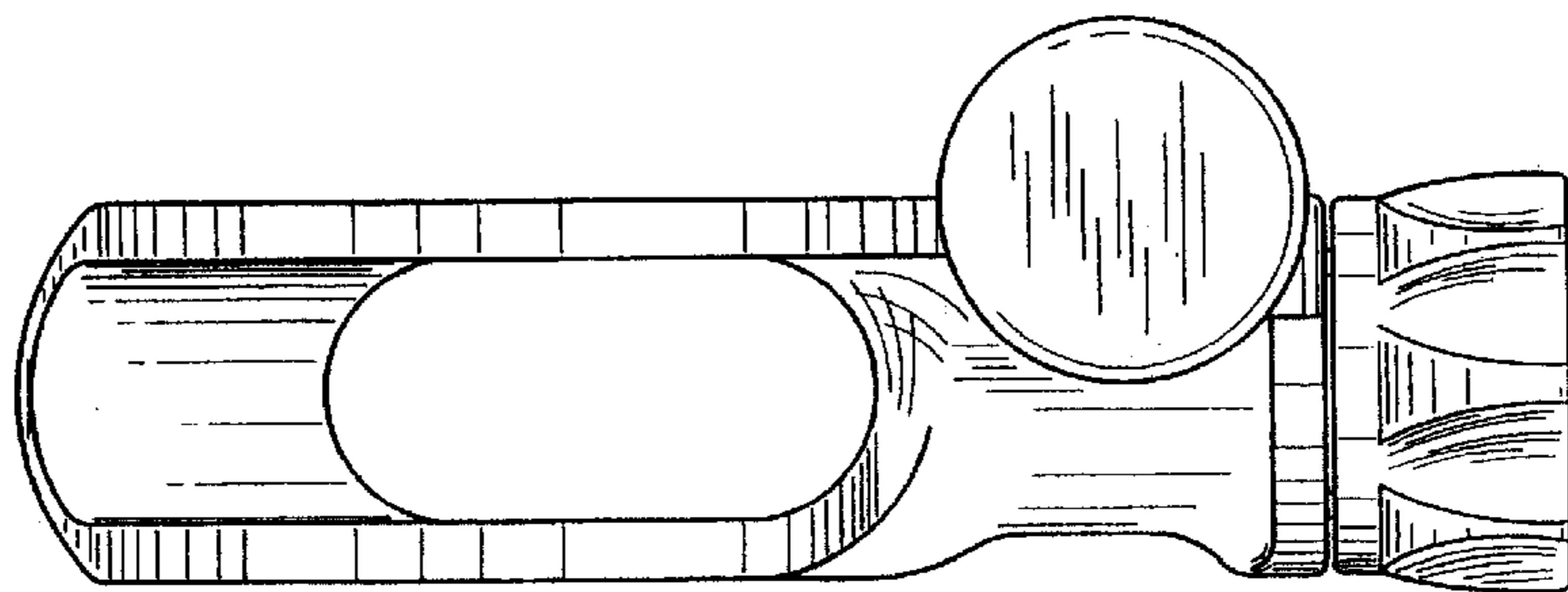


FIG. 7

UNITED STATES PATENT AND TRADEMARK OFFICE  
**CERTIFICATE OF CORRECTION**

PATENT NO. : Des 443,020 S  
DATED : May 29, 2001  
INVENTOR(S) : Clifton J. Ratza et al.

Page 1 of 1

It is certified that error appears in the above-identified patent and that said Letters Patent is hereby corrected as shown below:

Title page, column 2,

Line 27, in the Description of FIG. 1; after "part", insert -- of the claimed design --.

Line 32, in the Description of FIG. 6; after "and", delete -- , --.

Signed and Sealed this

Sixth Day of November, 2001

*Attest:*

*Nicholas P. Godici*

*Attesting Officer*

NICHOLAS P. GODICI  
*Acting Director of the United States Patent and Trademark Office*