



US00D443014S

(12) **United States Design Patent**
Vicale

(10) **Patent No.:** **US D443,014 S**

(45) **Date of Patent:** **** May 29, 2001**

(54) **TRIGGER LOCK FOR AIR RIFLES AND AIR HAND GUNS**

5,392,551 * 2/1995 Simpson 42/70.07
5,899,102 * 5/1999 Ling 70/202 X

(75) Inventor: **Emil Vicale**, Danbury, CT (US)

* cited by examiner

(73) Assignee: **Shot Lock Corp.**, Hilton Head, SC (US)

Primary Examiner—Louis S. Zarfes

Assistant Examiner—Monica A. Weingart

(74) *Attorney, Agent, or Firm*—DeLio & Peterson, LLC

(**) Term: **14 Years**

(57) **CLAIM**

(21) Appl. No.: **29/113,770**

I claim the ornamental design for a “trigger lock for air rifles and air hand guns”, as shown and described herein.

(22) Filed: **Nov. 9, 1999**

DESCRIPTION

(51) **LOC (7) Cl.** **22-01**

(52) **U.S. Cl.** **D22/108; D22/100; D22/199**

(58) **Field of Search** D22/100, 108,
D22/199; 42/70.06, 70.07; 70/58, 202,
211

FIG. 1 is a front elevational view of the trigger lock for air rifles and air hand guns showing my new design.

FIG. 2 is a rear elevational view of the design of this invention.

FIG. 3 is a right side elevational view of the design of this invention.

FIG. 4 is a left side elevational view of the design of this invention.

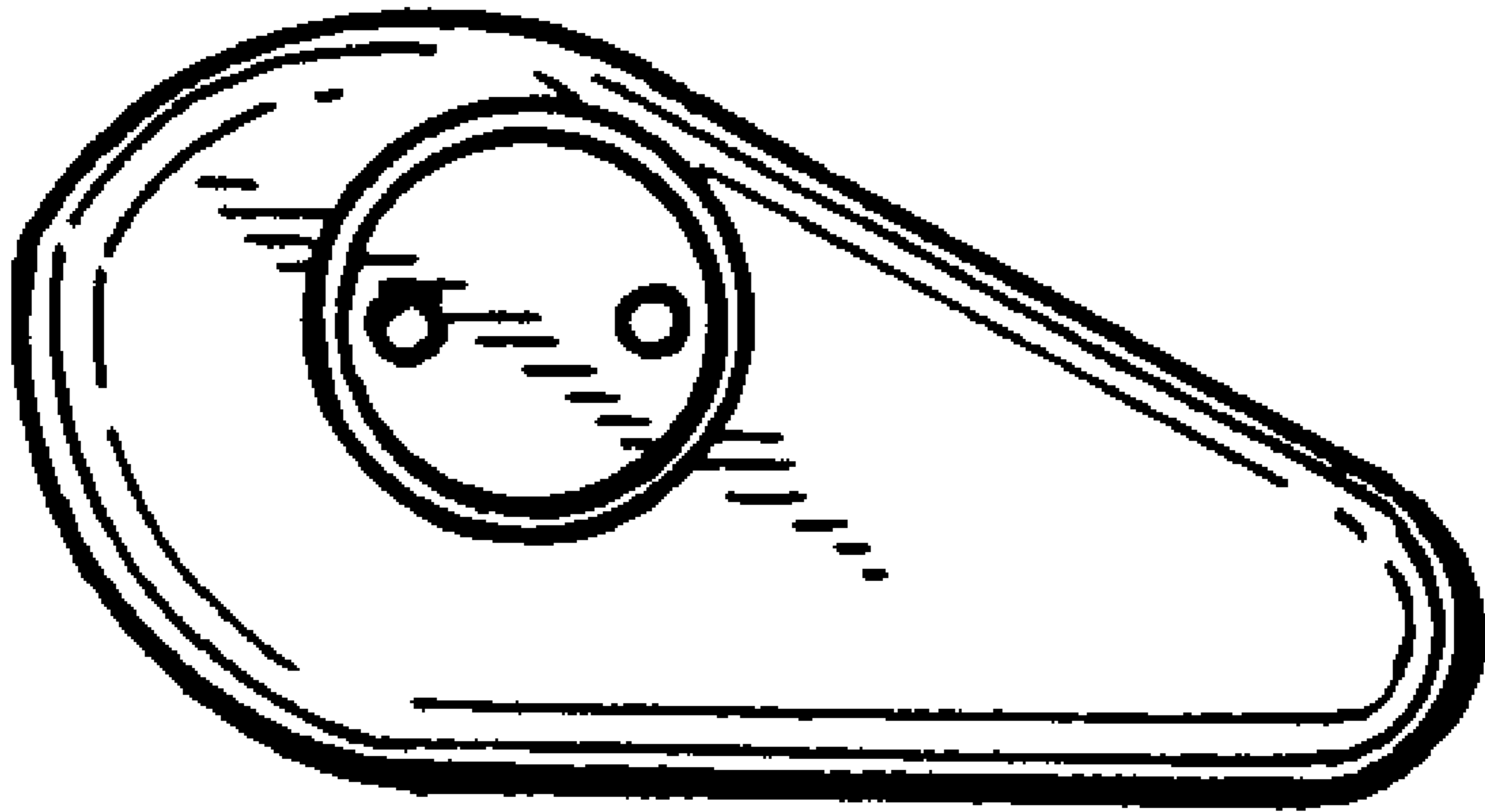
FIG. 5 is a top plan view of the design of this invention, and, FIG. 6 is a bottom plan view of the design of this invention.

(56) **References Cited**

U.S. PATENT DOCUMENTS

D. 393,305 * 4/1998 Misner et al. D22/108
D. 394,297 * 5/1998 Knuth D22/108
3,624,945 * 12/1971 Foote 7/202
5,371,965 * 12/1994 Nelson 42/70.07

1 Claim, 1 Drawing Sheet



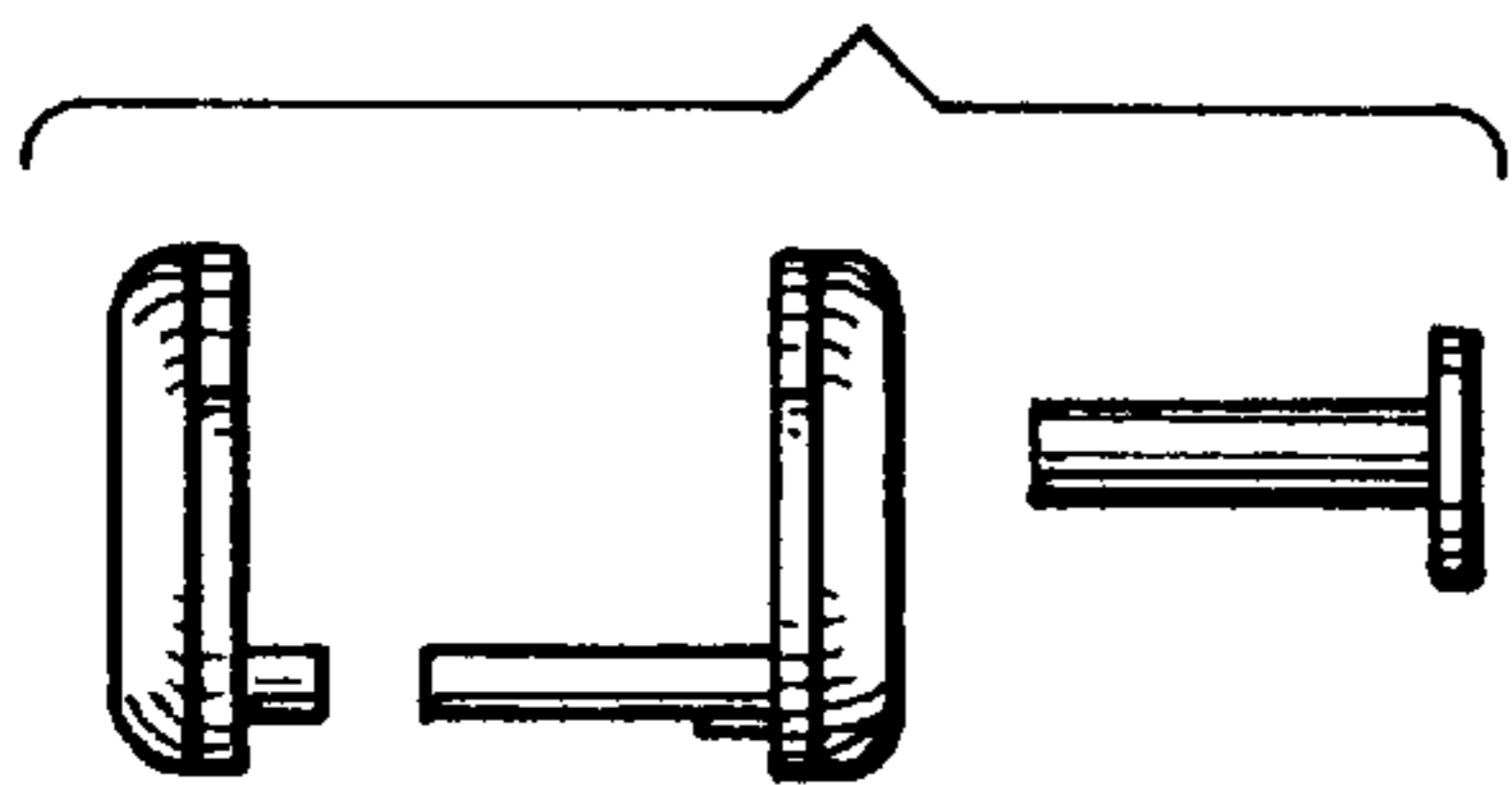


FIG. 1

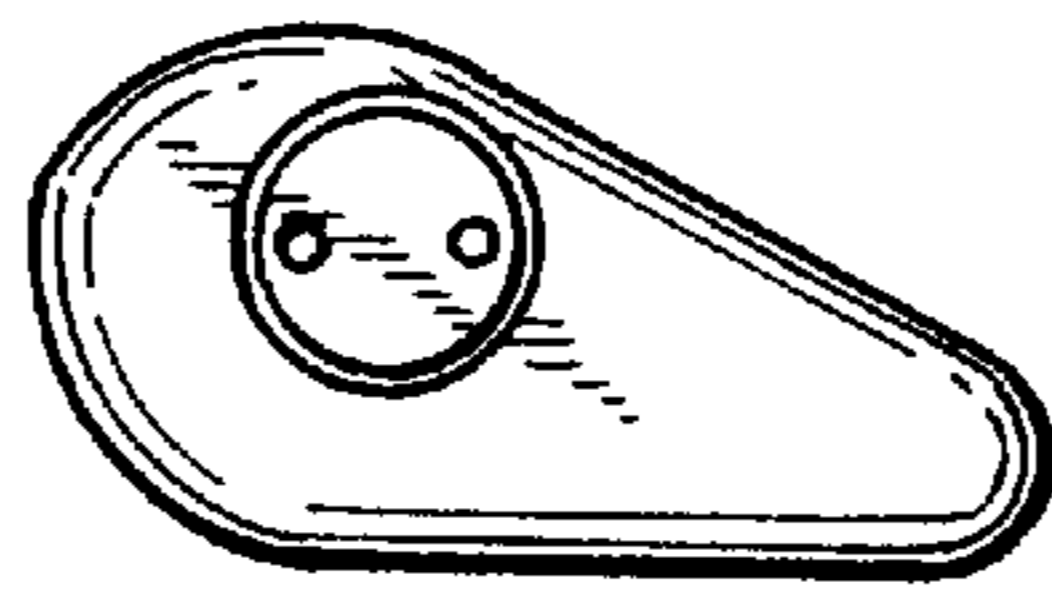


FIG. 4

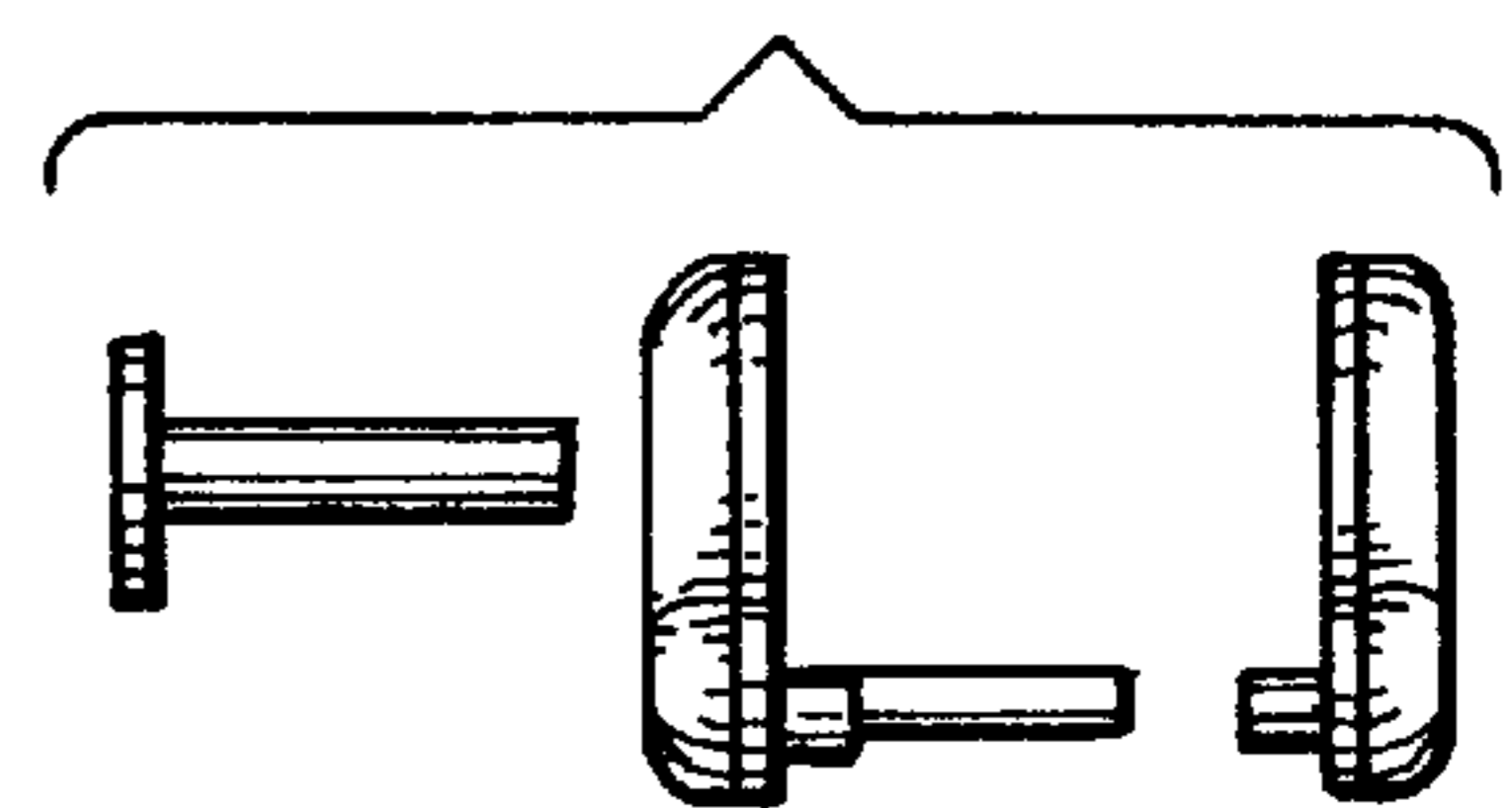


FIG. 2

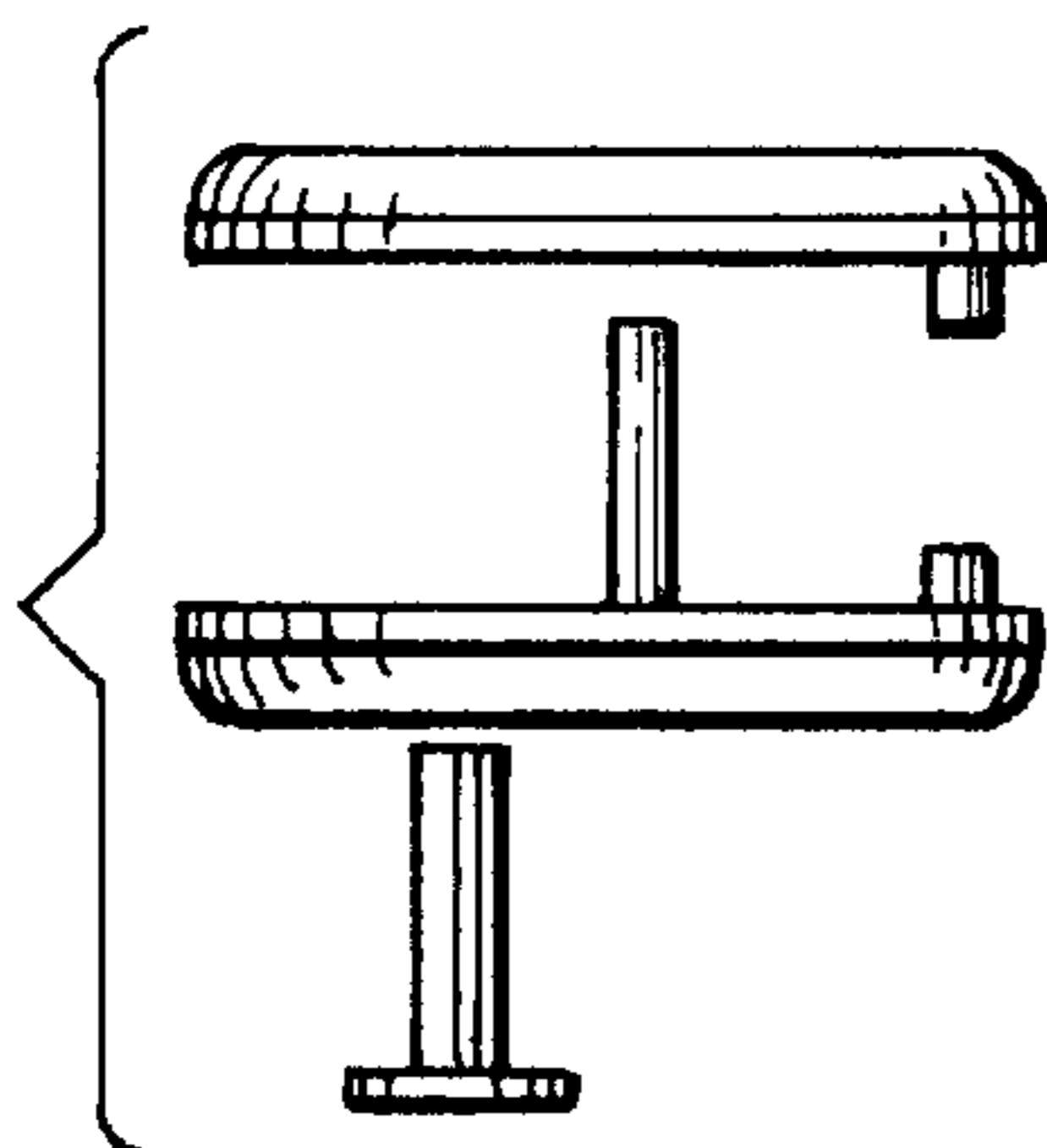


FIG. 5

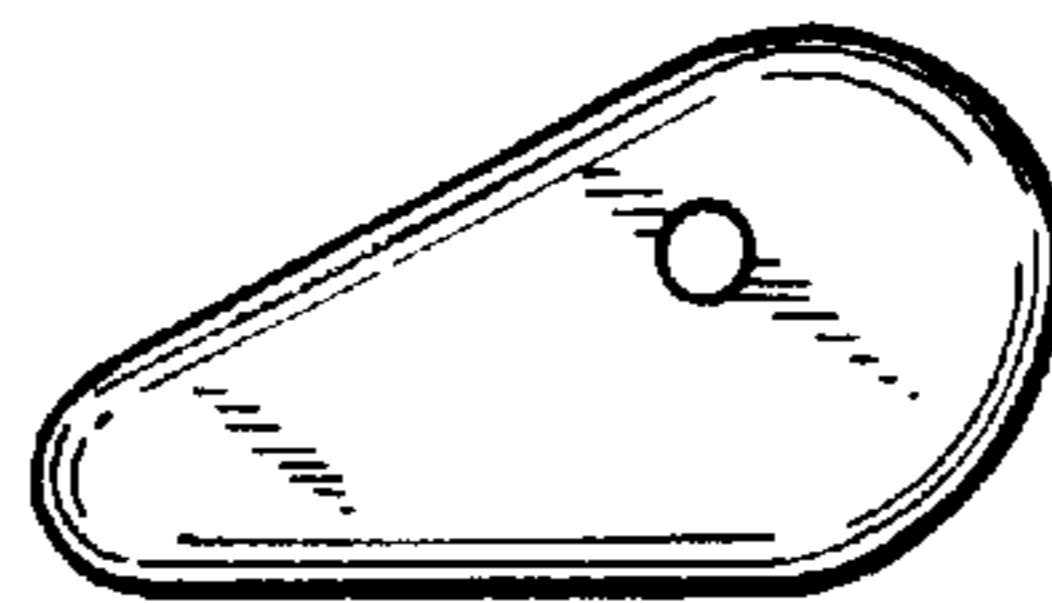


FIG. 3

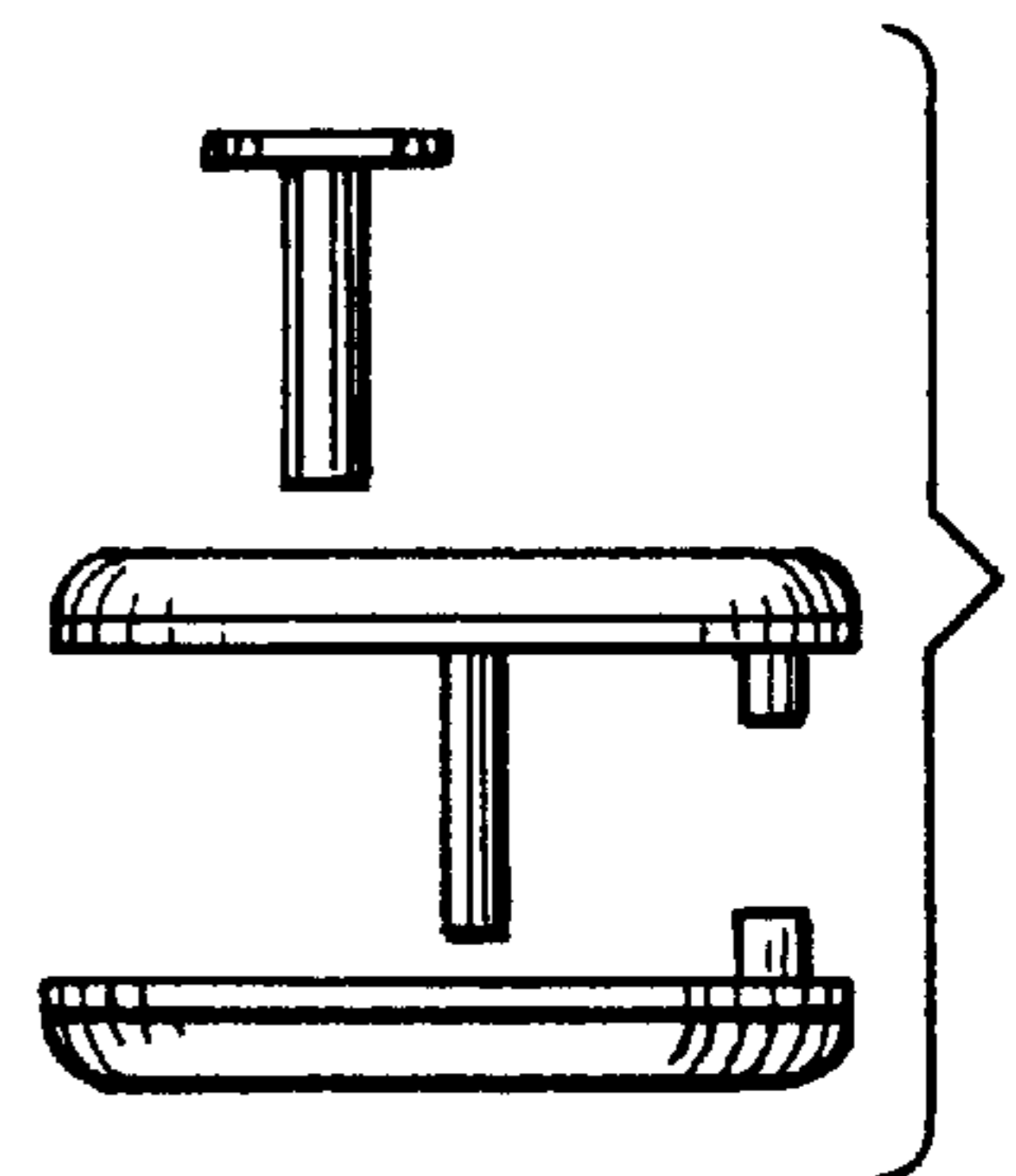


FIG. 6