



US00D443007S

(12) **United States Design Patent**
Schneider

(10) **Patent No.:** **US D443,007 S**

(45) **Date of Patent:** **** May 29, 2001**

(54) **GOLF TEE**

4,328,969 5/1982 Wright .
5,683,313 11/1997 Disco et al. .
6,004,228 * 12/1999 Adam 473/403

(76) Inventor: **David H. Schneider**, 14203 NE. 33rd
Ave., Vancouver, WA (US) 98686

* cited by examiner

(**) Term: **14 Years**

Primary Examiner—Dominic Simone
(74) *Attorney, Agent, or Firm*—Klarquist Sparkman
Campbell Leigh & Winston, LLP

(21) Appl. No.: **29/125,439**

(22) Filed: **Jun. 23, 2000**

(57) **CLAIM**

(51) **LOC (7) Cl.** **21-02**

I claim the ornamental design for a golf tee, as shown and described.

(52) **U.S. Cl.** **D21/717**

(58) **Field of Search** D21/717, 718;
473/387-403

DESCRIPTION

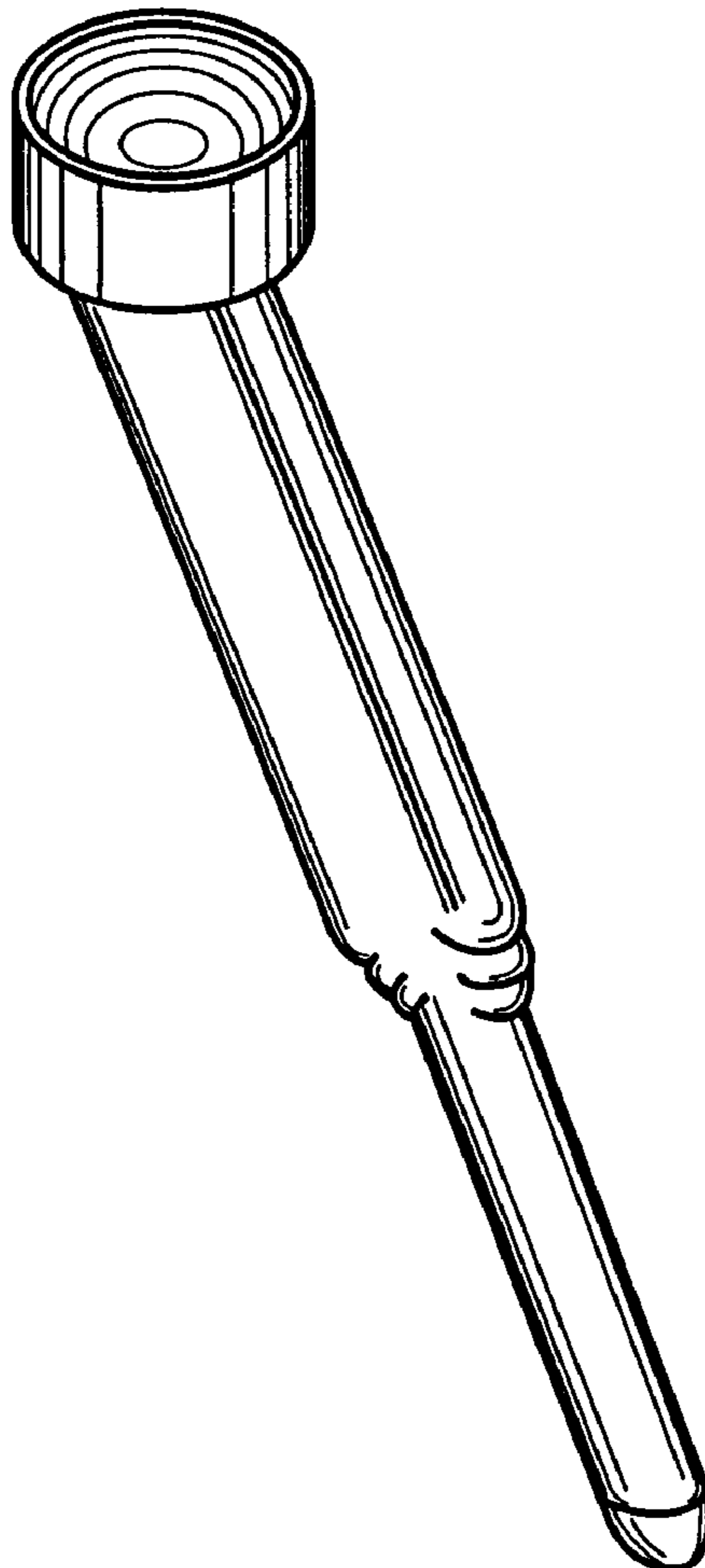
(56) **References Cited**

FIG. 1 is a perspective view of a golf tee according to my design;
FIG. 2 is a top plan view thereof;
FIG. 3 is a rear elevation view thereof;
FIG. 4 is a side elevation view thereof, the opposite side being a mirror image thereof;
FIG. 5 is a front elevation view thereof; and,
FIG. 6 is a bottom view thereof.

U.S. PATENT DOCUMENTS

D. 268,356	3/1983	Brisbois .	
D. 348,498	* 7/1994	Milliken	D21/718
D. 367,092	* 2/1996	Gustine	D21/718
2,107,706	* 2/1938	Morgan	473/403
2,469,928	* 5/1949	Mursch	473/388
3,907,289	* 9/1975	Bondu, Sr.	473/403
4,192,504	3/1980	Cluggage .	

1 Claim, 1 Drawing Sheet



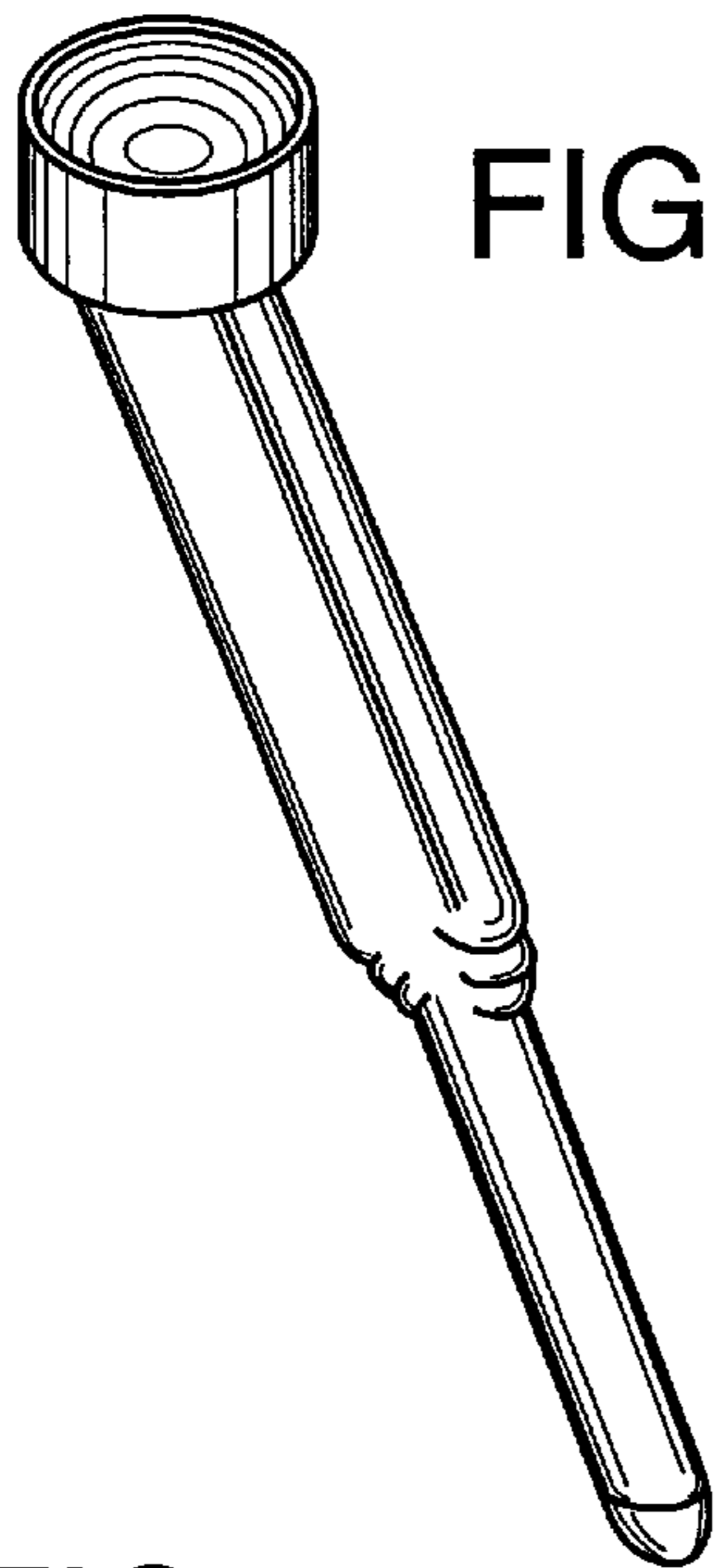


FIG. 1

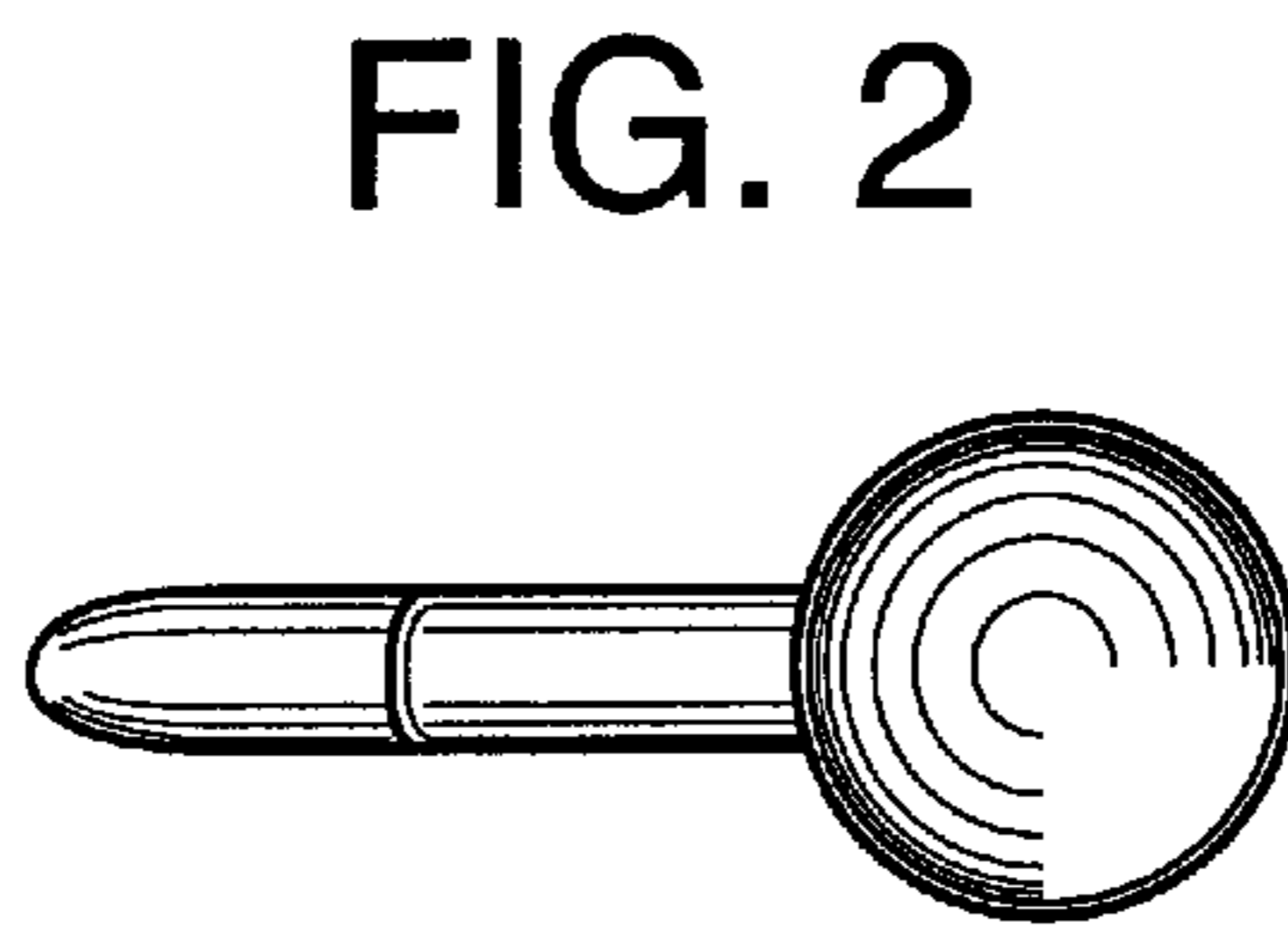


FIG. 2

FIG. 3

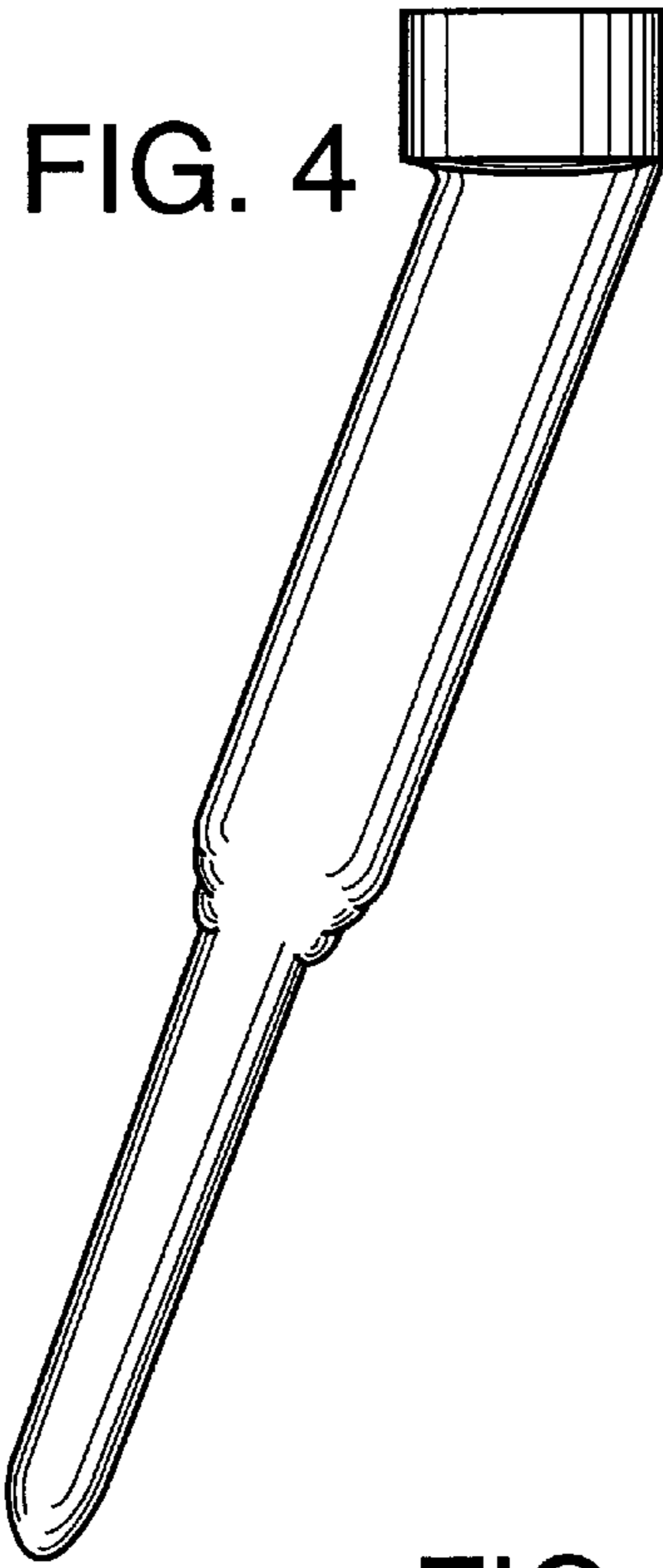
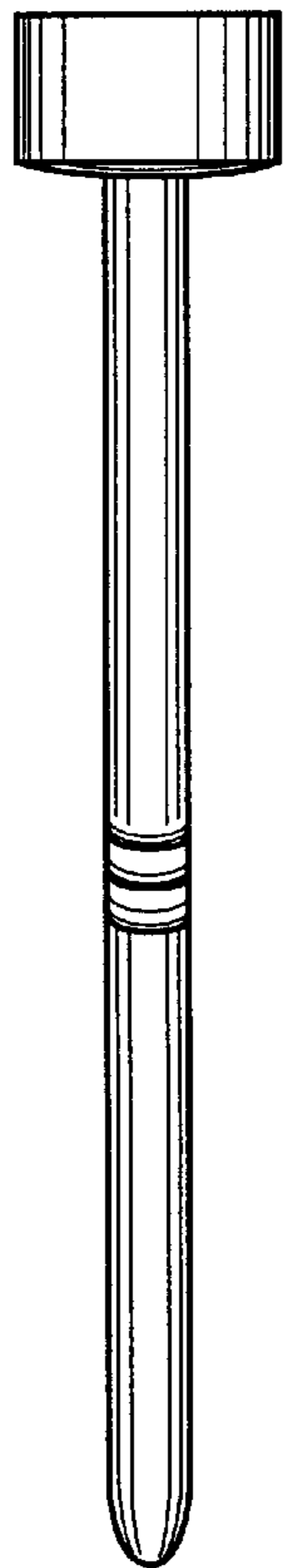


FIG. 4

FIG. 5

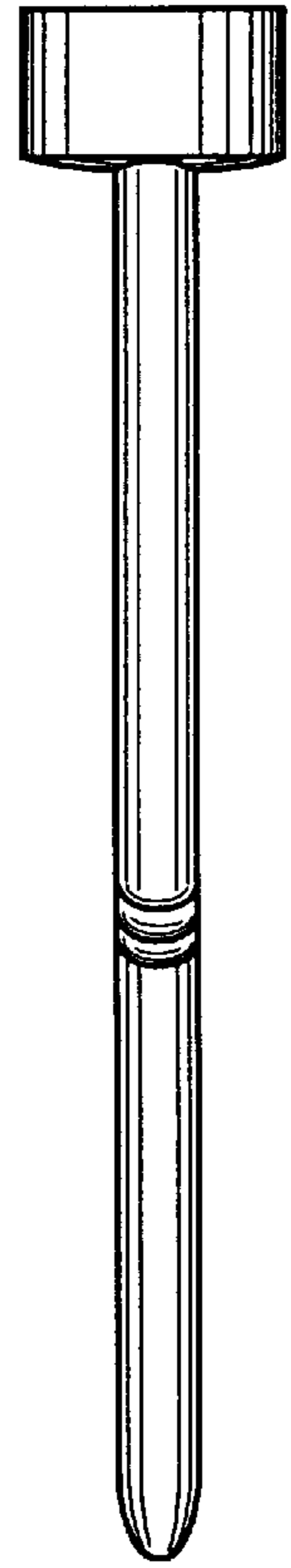


FIG. 6

