



US00D443005S

(12) **United States Design Patent**  
**Cass**

(10) **Patent No.:** **US D443,005 S**

(45) **Date of Patent:** **\*\* May 29, 2001**

(54) **WIRELESS REMOTE CONTROLLED TOY SNOWMOBILE**

3,777,831	*	12/1973	Hale	.....	280/21.1
3,813,812		6/1974	Barlow et al.	.	
4,290,228		9/1981	Goldfarb et al.	.	
4,418,782	*	12/1983	Nakazima	.....	180/190
5,368,516		11/1994	Hoeting et al.	.	

(76) **Inventor:** **Thomas A Cass**, P.O. Box 237, East Burke, VT (US) 05832

(\*\*) **Term:** **14 Years**

\* cited by examiner

*Primary Examiner*—Raphael Barkai

(21) **Appl. No.:** **29/115,656**

(57) **CLAIM**

(22) **Filed:** **Dec. 17, 1999**

The ornamental design for a wireless remote controlled toy snowmobile, as shown and described.

(51) **LOC (7) Cl.** ..... **21-01**

**DESCRIPTION**

(52) **U.S. Cl.** ..... **D21/533**

(58) **Field of Search** ..... D21/533, 539, D21/566, 424; D12/6, 7; 180/190, 193; 280/21.1, 22, 22.1; 446/7, 454, 433

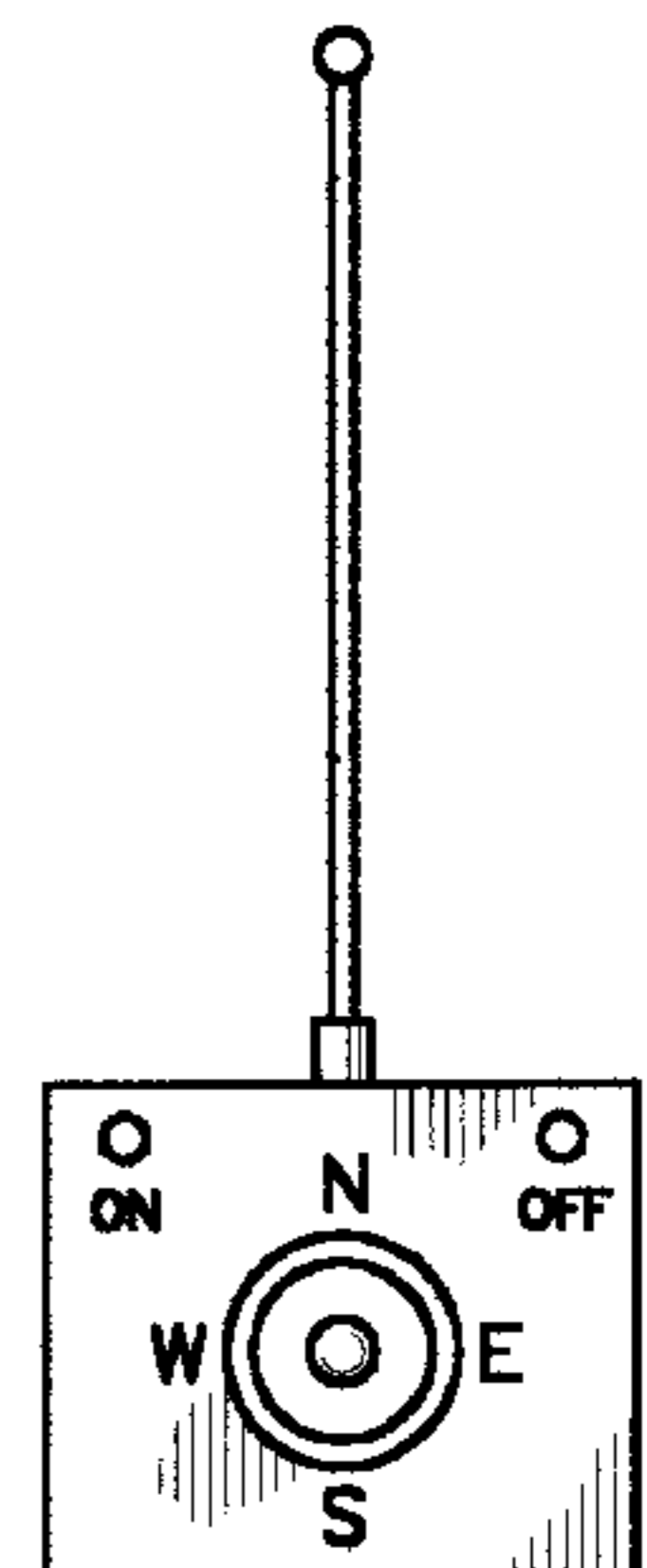
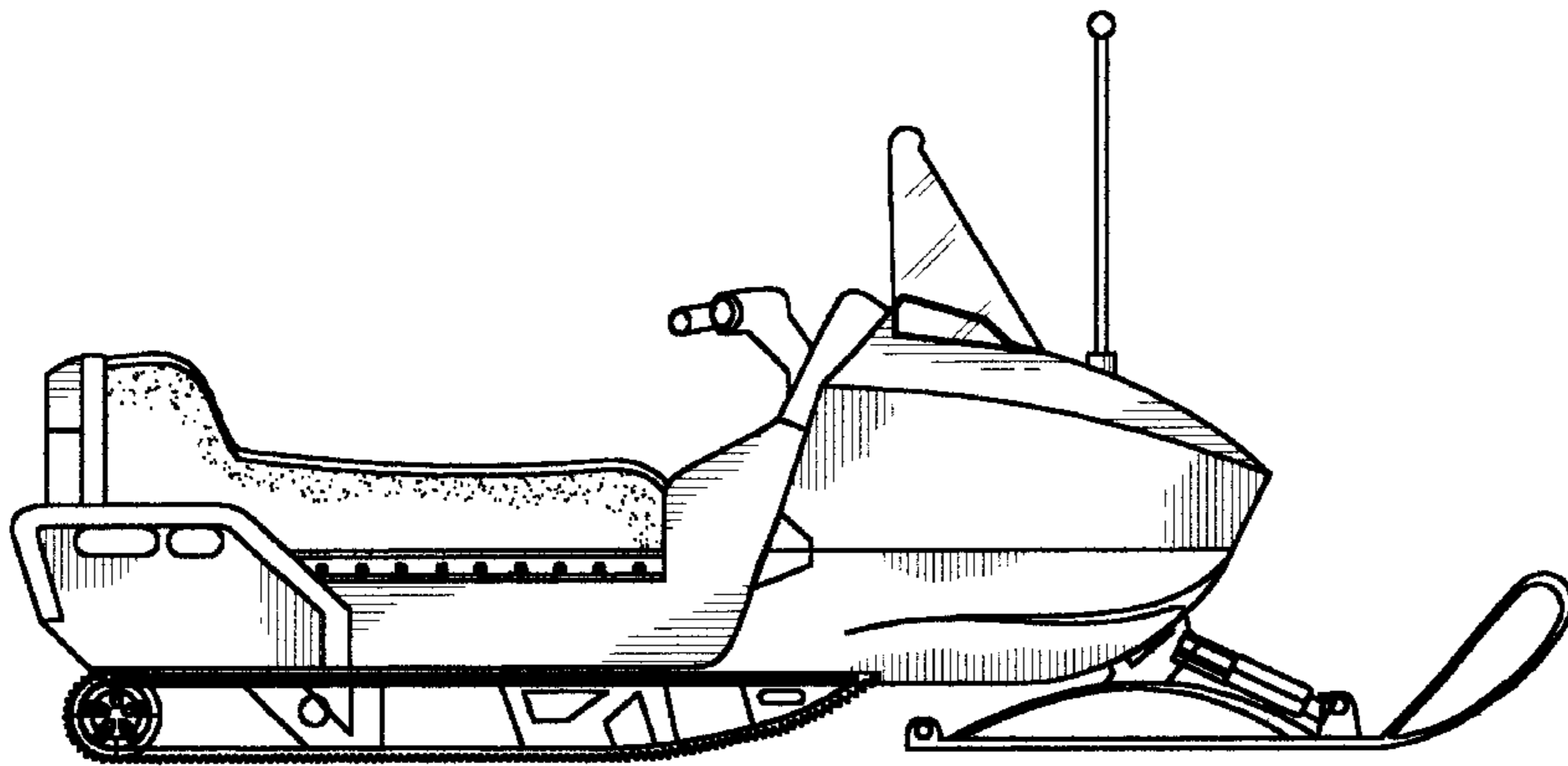
FIG. 1 is a front elevational view of the wireless remote controlled toy snowmobile of the present invention;  
 FIG. 2 is a rear elevational view of the wireless remote controlled toy snowmobile of FIG. 1;  
 FIG. 3 is a left side elevational view of the wireless remote controlled toy snowmobile of FIG. 1;  
 FIG. 4 is a right side elevational view of the wireless remote controlled toy snowmobile of FIG. 1;  
 FIG. 5 is a top plan view of the wireless remote controlled toy snowmobile of FIG. 1; and,  
 FIG. 6 is a bottom plan view of the wireless remote controlled toy snowmobile of FIG. 1.

(56) **References Cited**

**U.S. PATENT DOCUMENTS**

D. 149,833	*	1/1948	Scheinman	.....	D21/533
D. 181,313		10/1957	Reed	.	
D. 192,089	*	1/1962	Alvaney	.....	D21/539
D. 207,580		5/1967	Mango	.	
D. 222,995	*	2/1972	Lapointe	.....	D12/7
D. 228,754	*	10/1973	Mango	.....	D12/7
D. 278,892	*	5/1985	Kobayashi	.....	D12/7
D. 325,606		4/1992	Demarco et al.	.	
D. 356,610	*	3/1995	Ishimoto	.....	D21/566
3,527,505	*	9/1970	Hetteen	.....	180/193

**1 Claim, 5 Drawing Sheets**



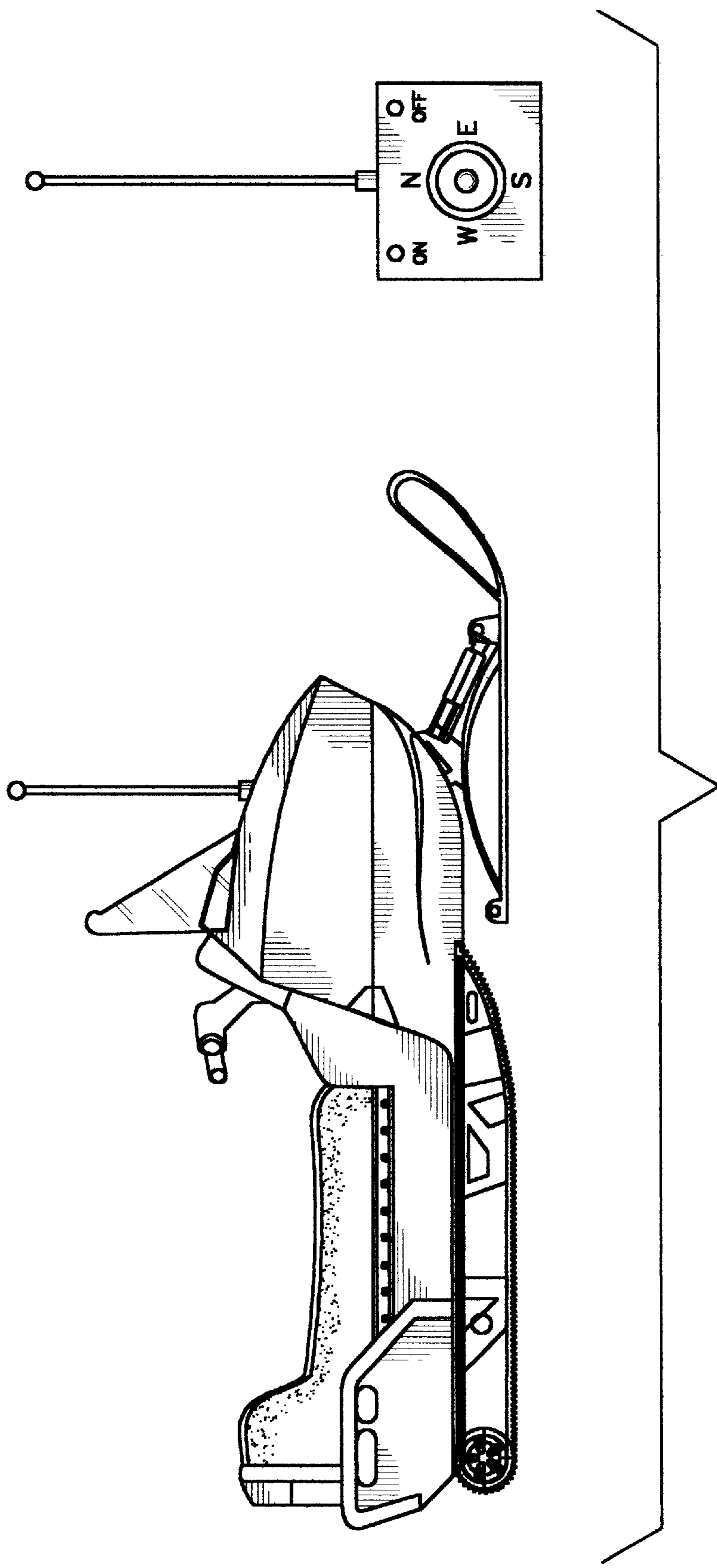


FIG. 1

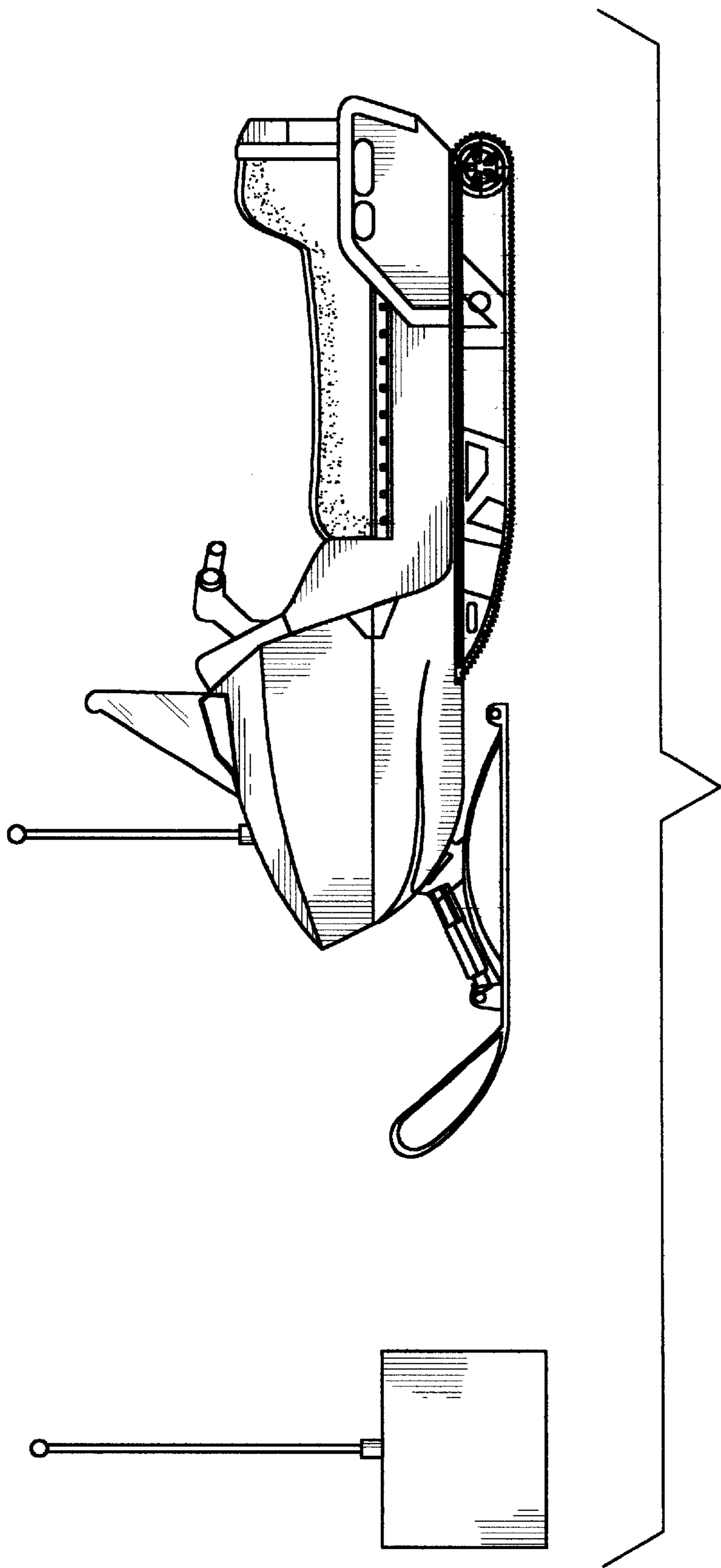


FIG. 2

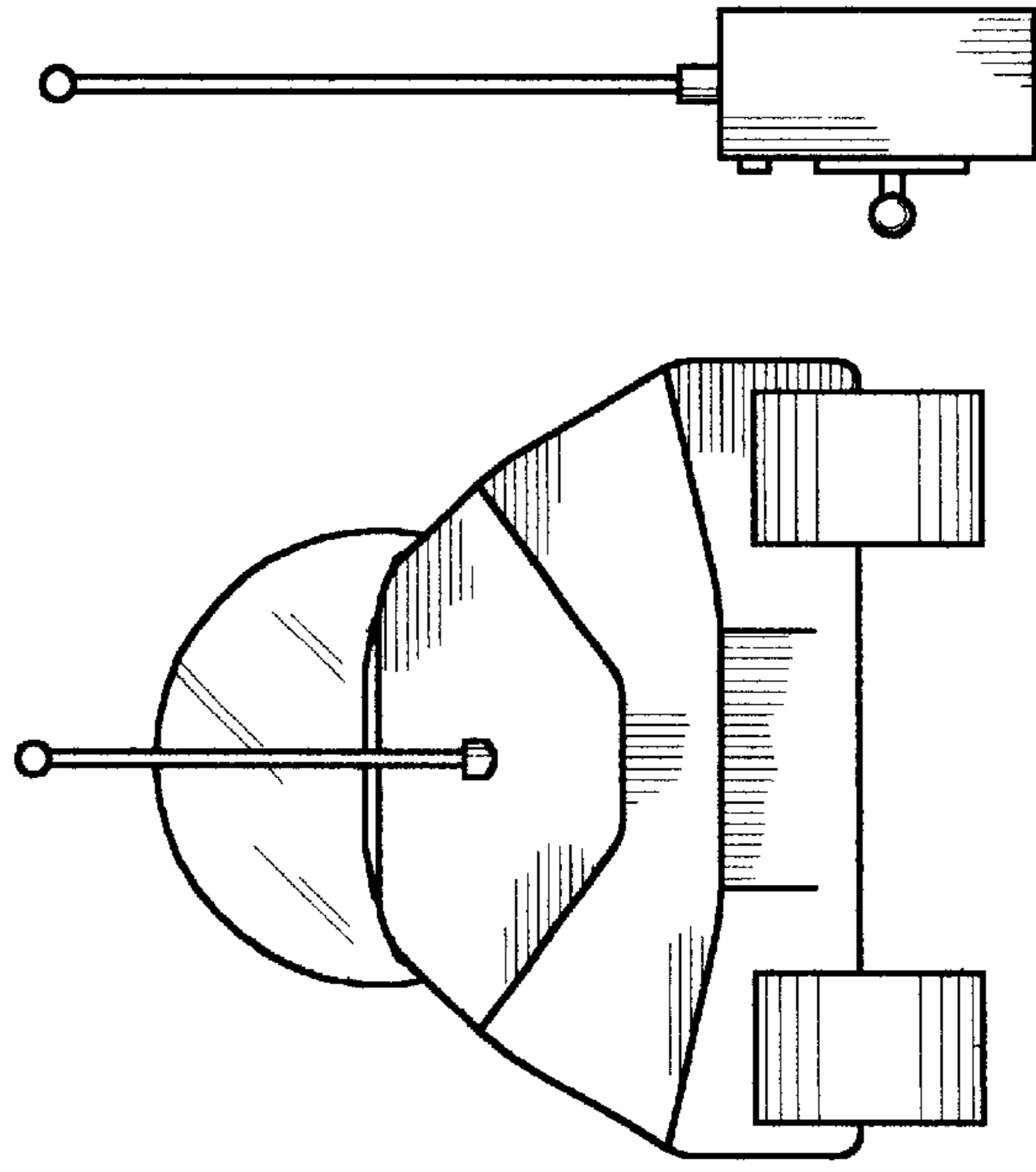


FIG. 3

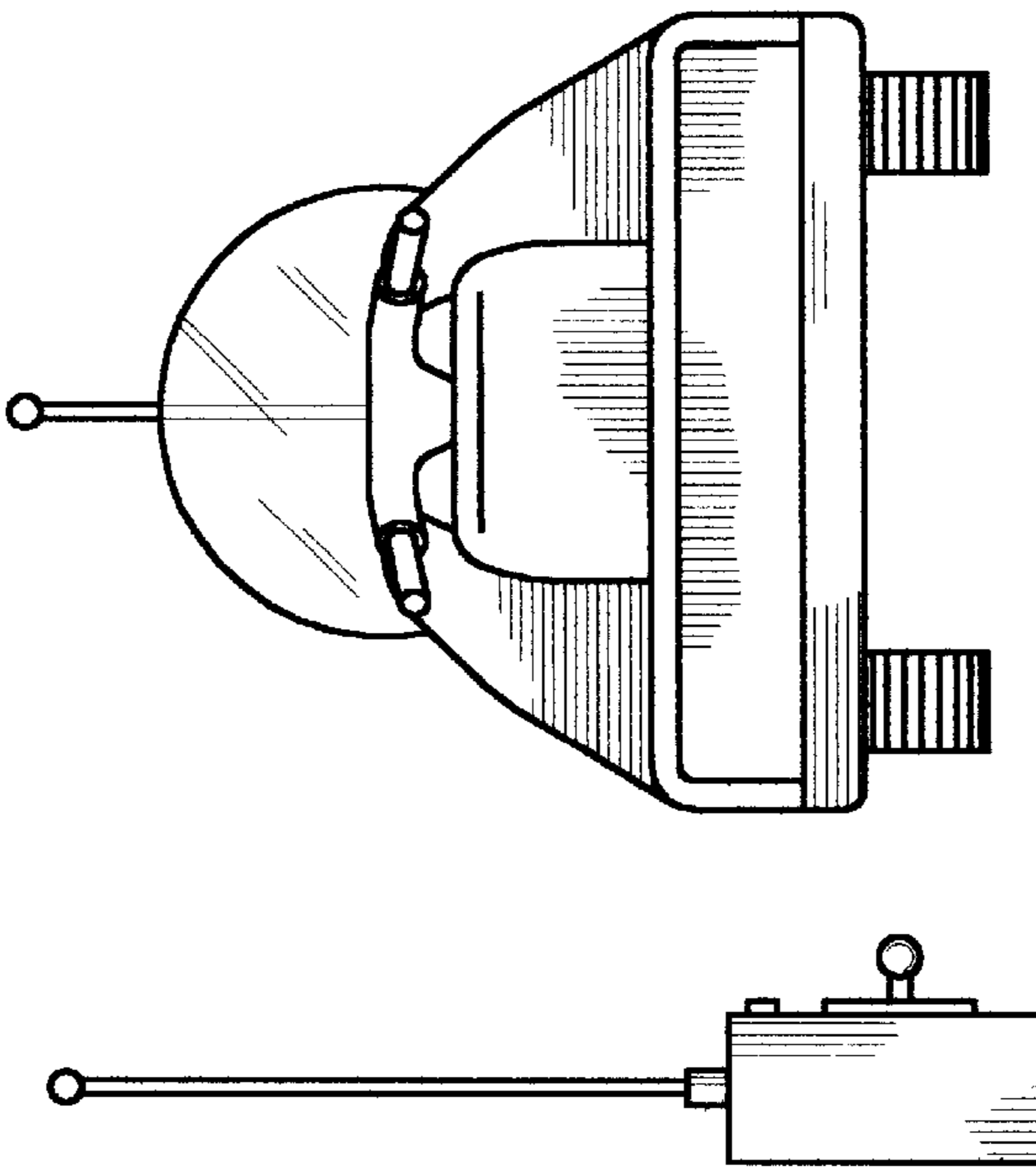


FIG. 4

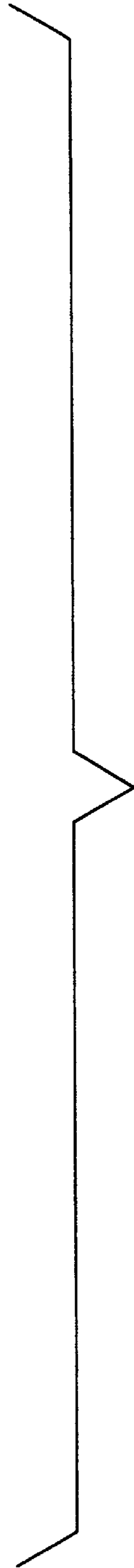
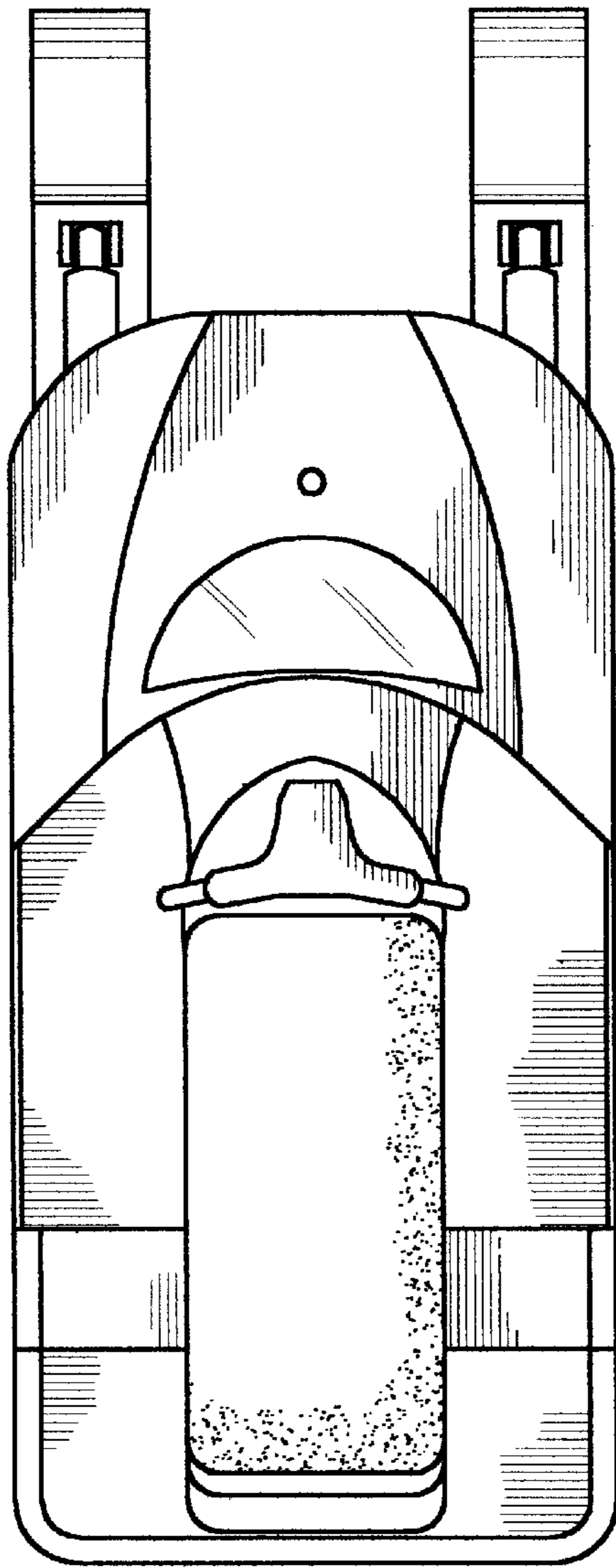
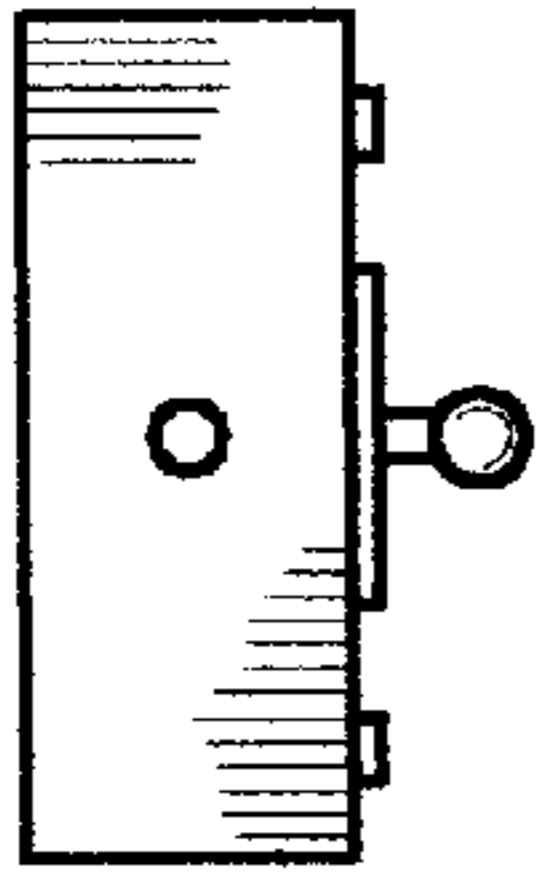


FIG. 5

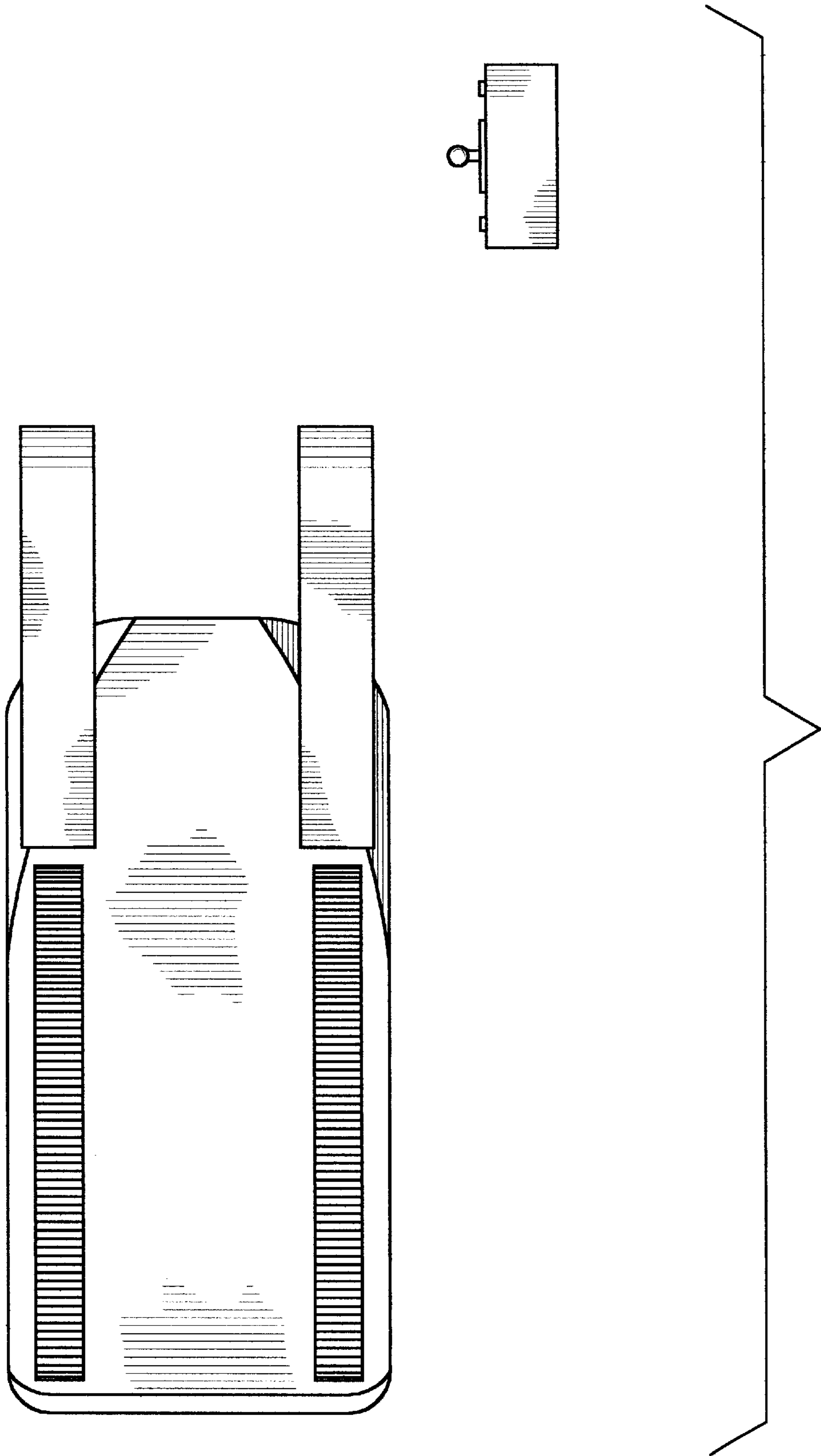


FIG. 6