



US00D443001S

(12) **United States Design Patent**
Ouboter

(10) **Patent No.:** **US D443,001 S**

(45) **Date of Patent:** **** May 29, 2001**

(54) **SCOOTER**

(75) **Inventor:** **Willem Ouboter, Uetikon am See (CH)**

(73) **Assignee:** **Gebruder Ouboter AG Micro
Mobility Systems, Kusnacht (CH)**

(**) **Term:** **14 Years**

(21) **Appl. No.:** **29/134,522**

(22) **Filed:** **Dec. 19, 2000**

(30) **Foreign Application Priority Data**

Jun. 30, 2000 (XH) DM/052 666

(51) **LOC (7) Cl.** **21-01**

(52) **U.S. Cl.** **D21/423**

(58) **Field of Search** D21/419, 421,
D21/423, 424, 426, 435, 583, 760, 765,
771; D12/107, 110-112; 280/87.01, 87.021,
87.041, 87.042; 180/181, 216

(56) **References Cited**

U.S. PATENT DOCUMENTS

D. 435,873 * 1/2001 Lee D21/423

D. 435,874 * 1/2001 Cheng D21/423
4,394,029 * 7/1983 Holmgren 280/87.041
6,120,044 * 9/2000 Tsai 280/87.041
6,173,976 * 1/2001 Lee 280/87.041

* cited by examiner

Primary Examiner—Raphael Barkai

(74) *Attorney, Agent, or Firm*—Flanagan & Flanagan; John
R. Flanagan; John K. Flanagan

(57) **CLAIM**

The ornamental design for scooter, as shown and described.

DESCRIPTION

FIG. 1 is a left side elevational view of a scooter showing my
new design.

FIG. 2 is a right side elevational view of the scooter of FIG.
1.

FIG. 3 is a front elevational view of the scooter of FIG. 1.

FIG. 4 is a rear elevational view of the scooter of FIG. 1.

FIG. 5 is a top plan view of the scooter of FIG. 1; and,

FIG. 6 is a bottom plan view of the scooter of FIG. 1.

1 Claim, 2 Drawing Sheets

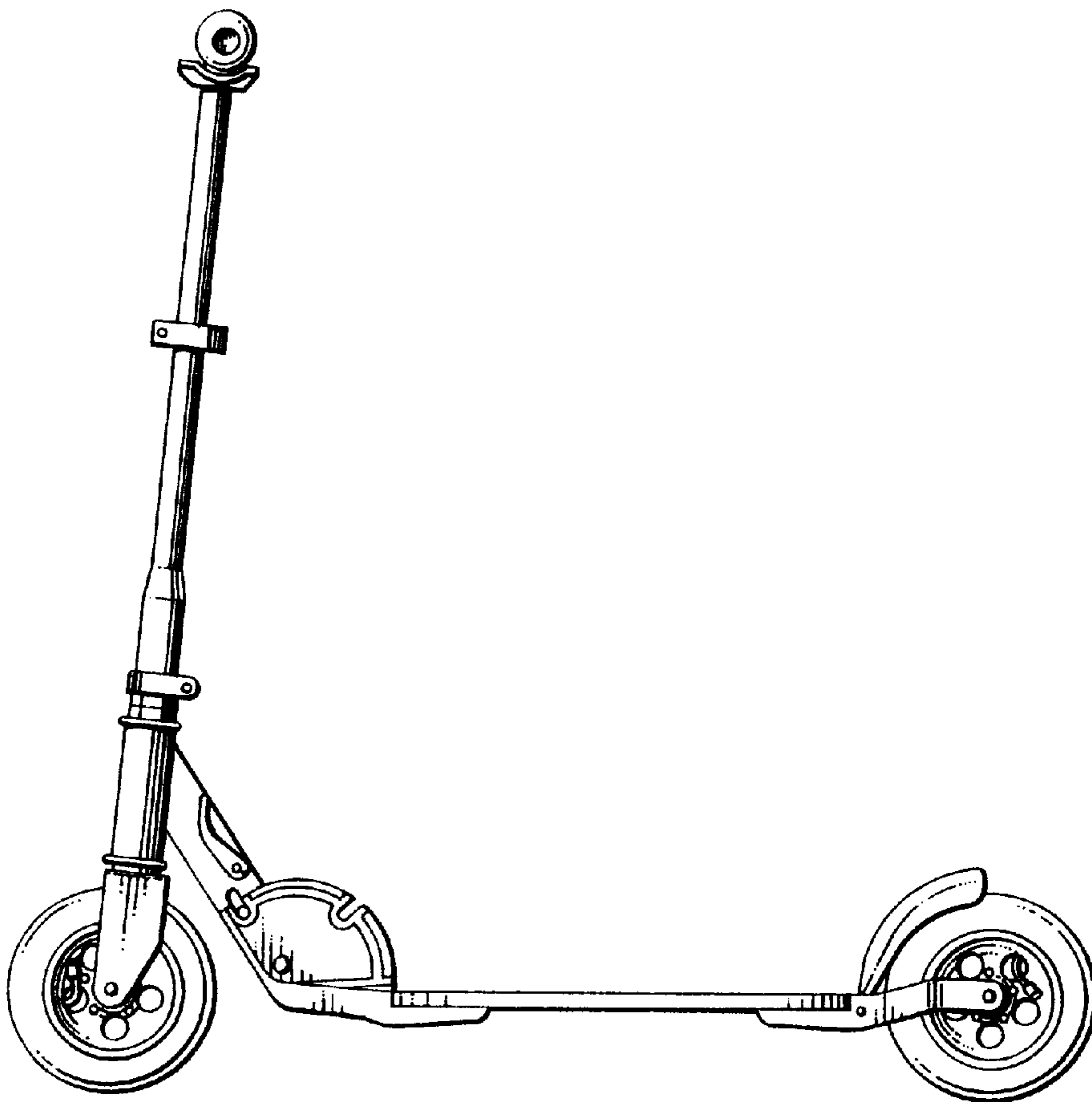




FIG. 1

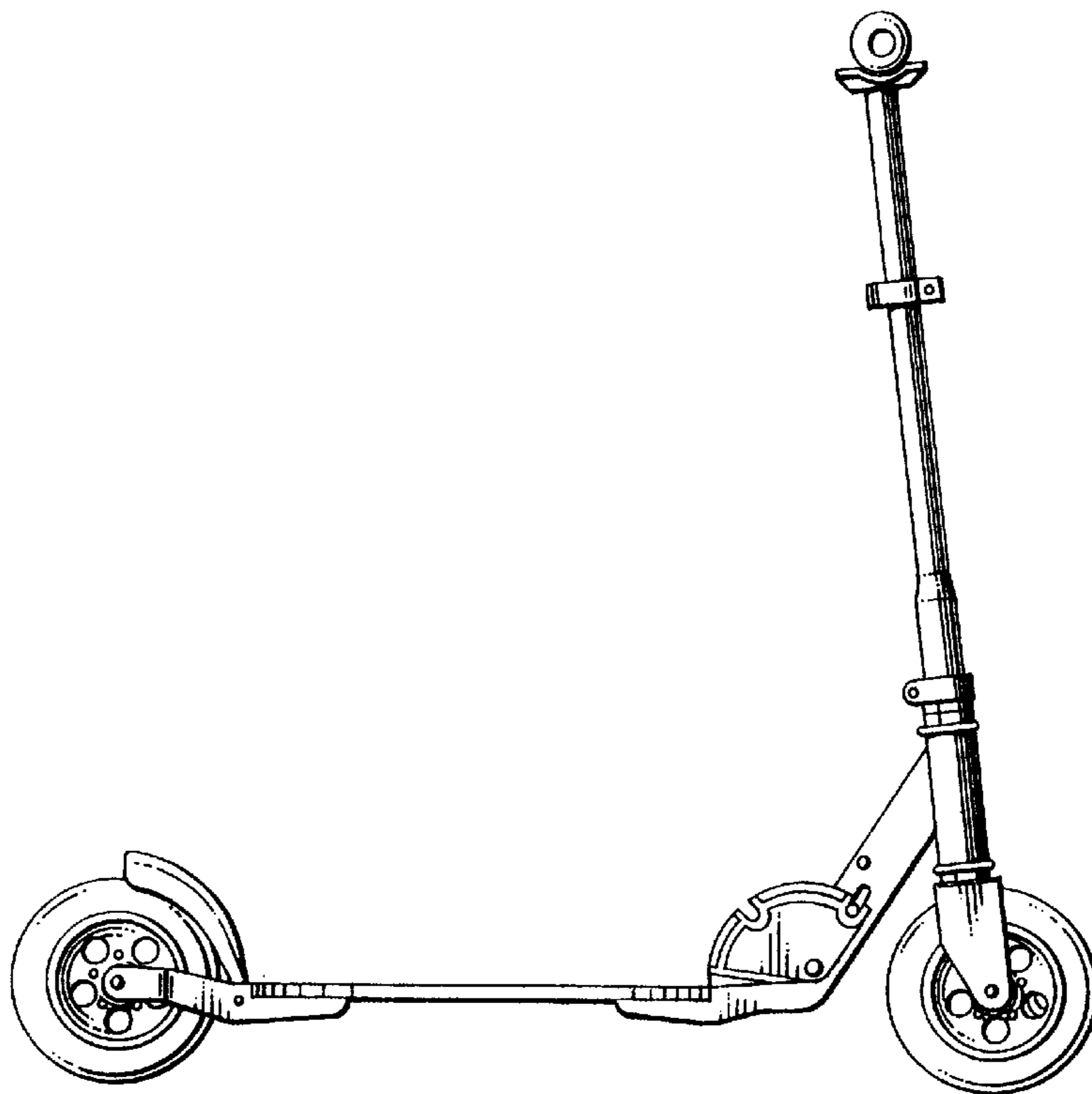


FIG. 2

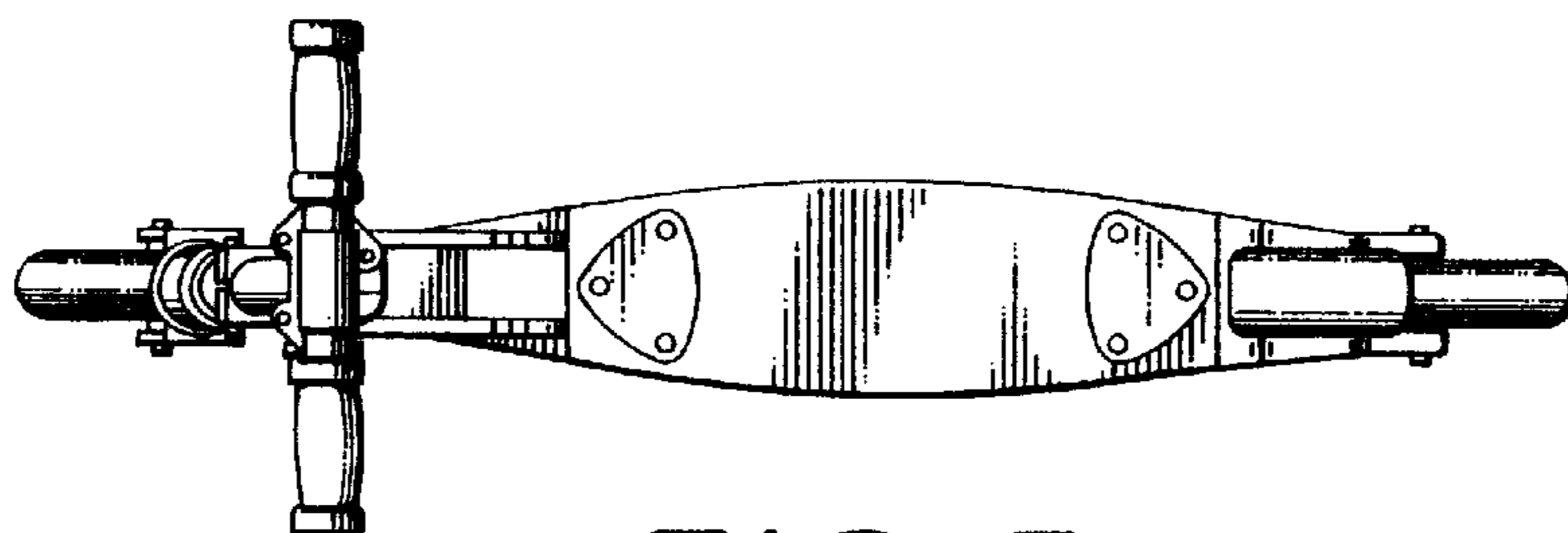


FIG. 5

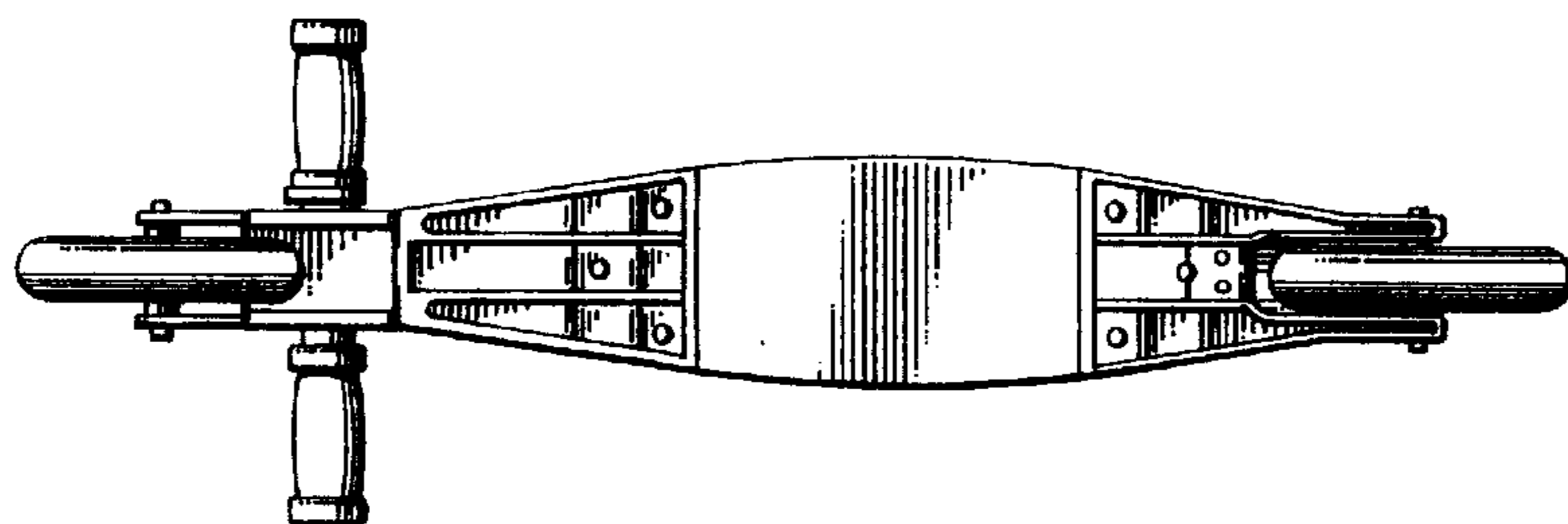


FIG. 6

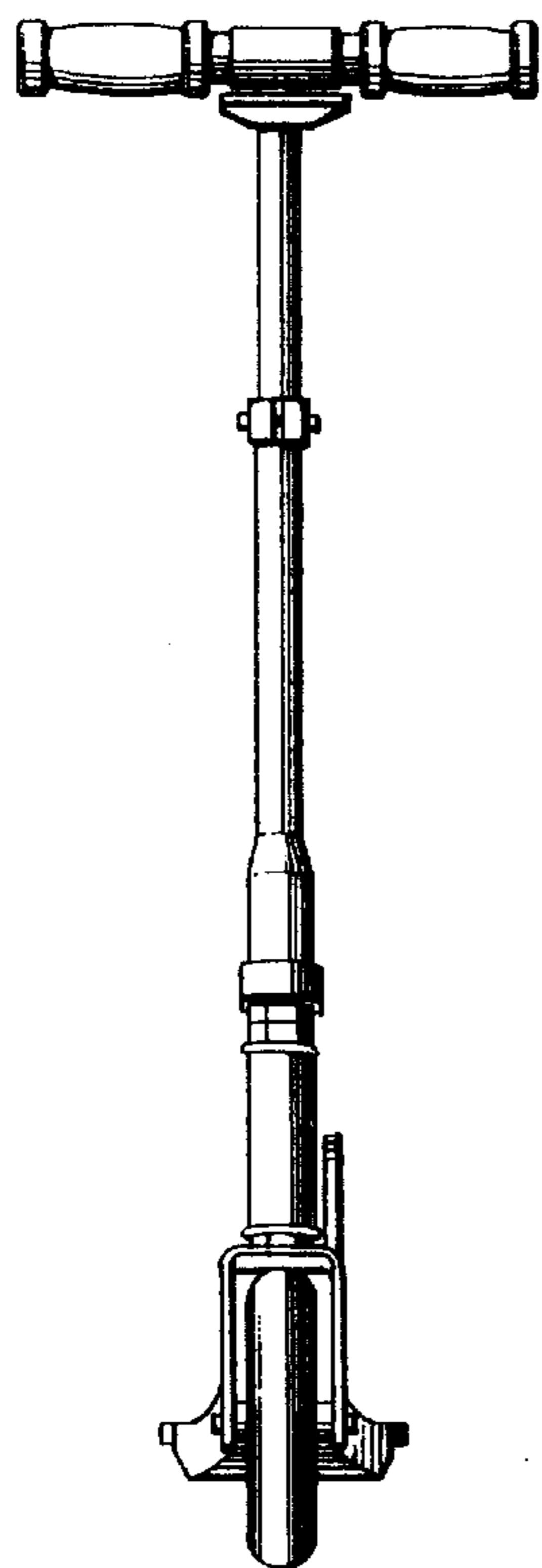


FIG. 3

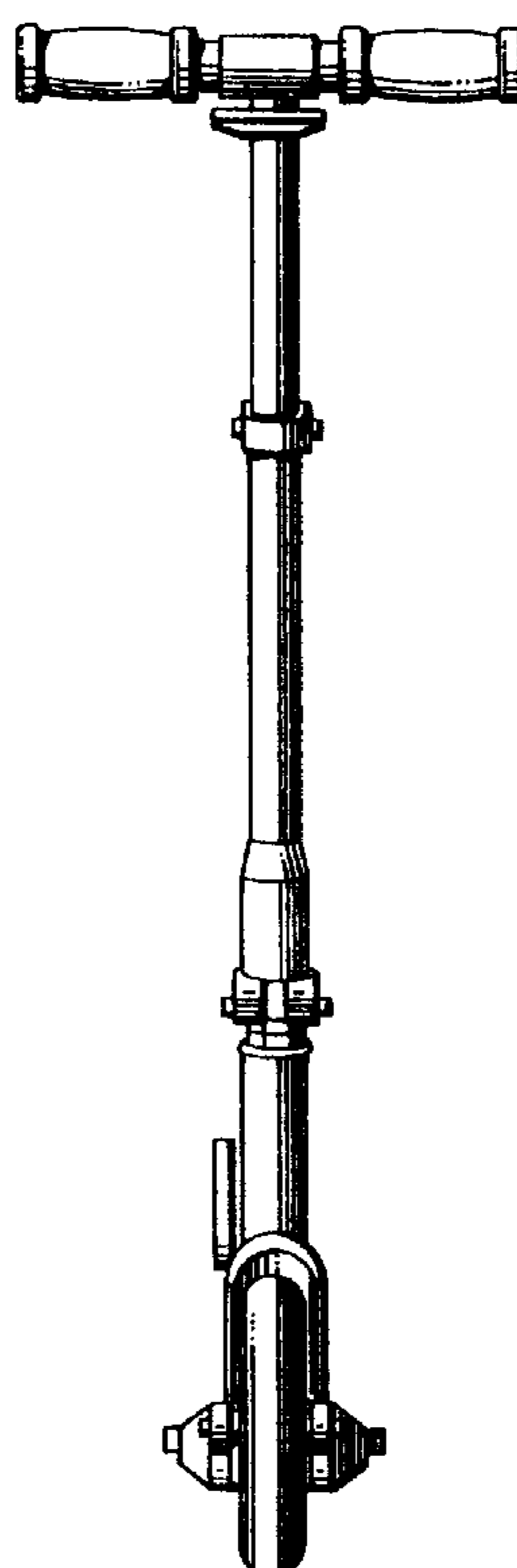


FIG. 4