



US00D443000S

(12) **United States Design Patent**
Chen

(10) **Patent No.:** **US D443,000 S**

(45) **Date of Patent:** **** May 29, 2001**

(54) **SKATING BOARD BIKE**

(75) **Inventor:** **Ting-Hsing Chen, Tainan Hsien (TW)**

(73) **Assignee:** **Far Great Plastics Industrial Co., Ltd., Tainan Hsien (TW)**

(**) **Term:** **14 Years**

(21) **Appl. No.:** **29/114,546**

(22) **Filed:** **Nov. 29, 1999**

(51) **LOC (7) Cl.** **21-01**

(52) **U.S. Cl.** **D21/423**

(58) **Field of Search** D21/419, 421, D21/423, 424, 426, 435, 533, 760, 765, 771; D12/107, 110-112; 280/62, 282, 87.04, 87.041, 87.042; 180/181, 216

(56) **References Cited**

U.S. PATENT DOCUMENTS

- D. 45,868 * 6/1914 Gibson D21/423
- D. 93,462 * 10/1934 Ferris D21/771
- D. 208,791 * 10/1967 Purdy D21/423

- D. 414,220 * 9/1999 Catto D21/423
- D. 428,365 * 7/2000 Cheng D12/112
- 1,910,018 * 5/1933 Jones 280/282
- 3,781,031 * 12/1973 Patin 280/62
- 4,799,701 * 1/1989 Lindau 280/87.041

* cited by examiner

Primary Examiner—Raphael Barkai

(74) *Attorney, Agent, or Firm*—Rosenberg, Klein & Lee

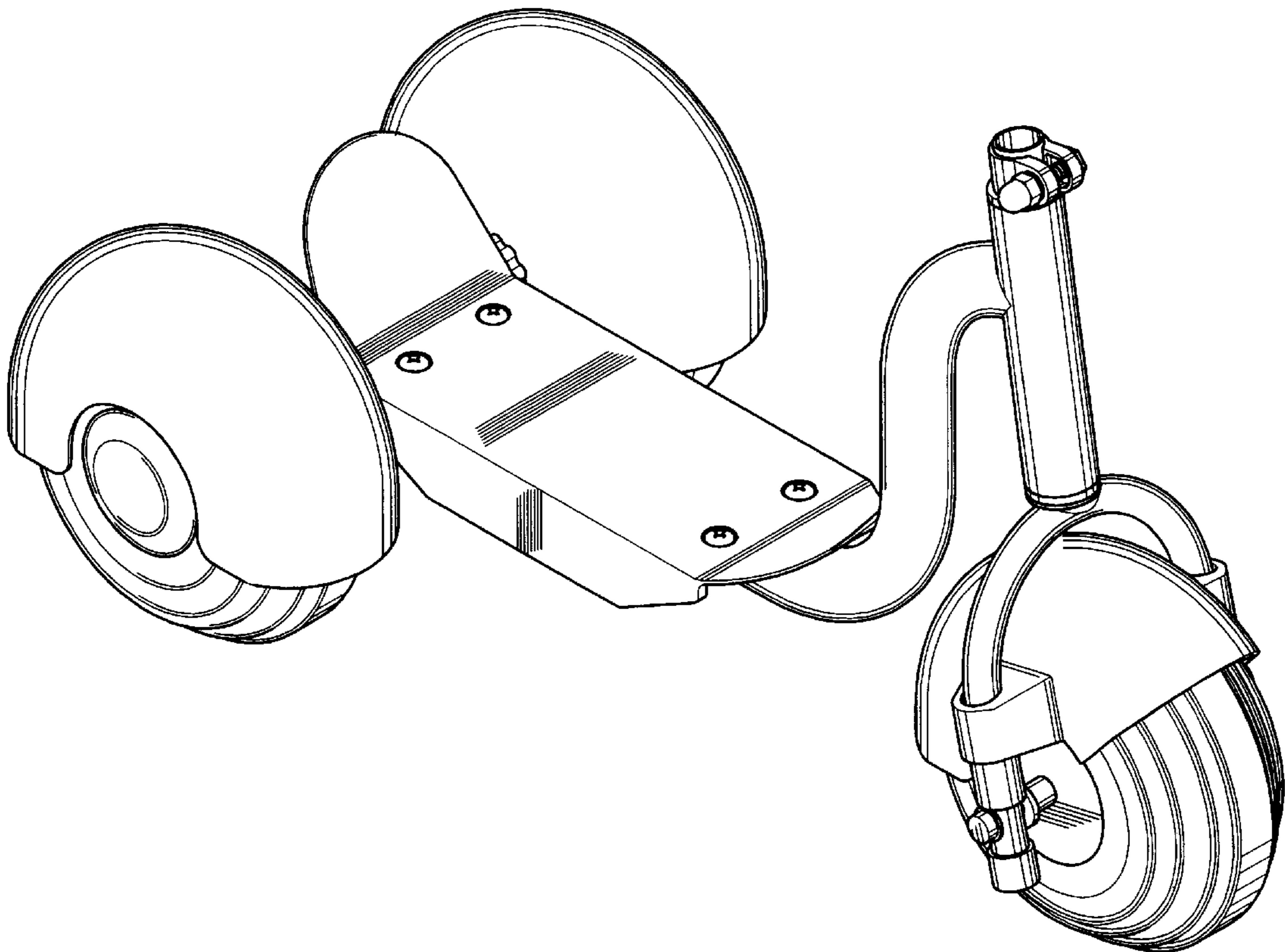
(57) **CLAIM**

The ornamental design for skating board bike, as shown and described.

DESCRIPTION

FIG. 1 is a perspective view of skating board bike showing my present design;
 FIG. 2 is a front view thereof;
 FIG. 3 is a rear view thereof;
 FIG. 4 is a left view thereof;
 FIG. 5 is a right view thereof;
 FIG. 6 is a top plan view thereof; and,
 FIG. 7 is a bottom plan view.

1 Claim, 7 Drawing Sheets



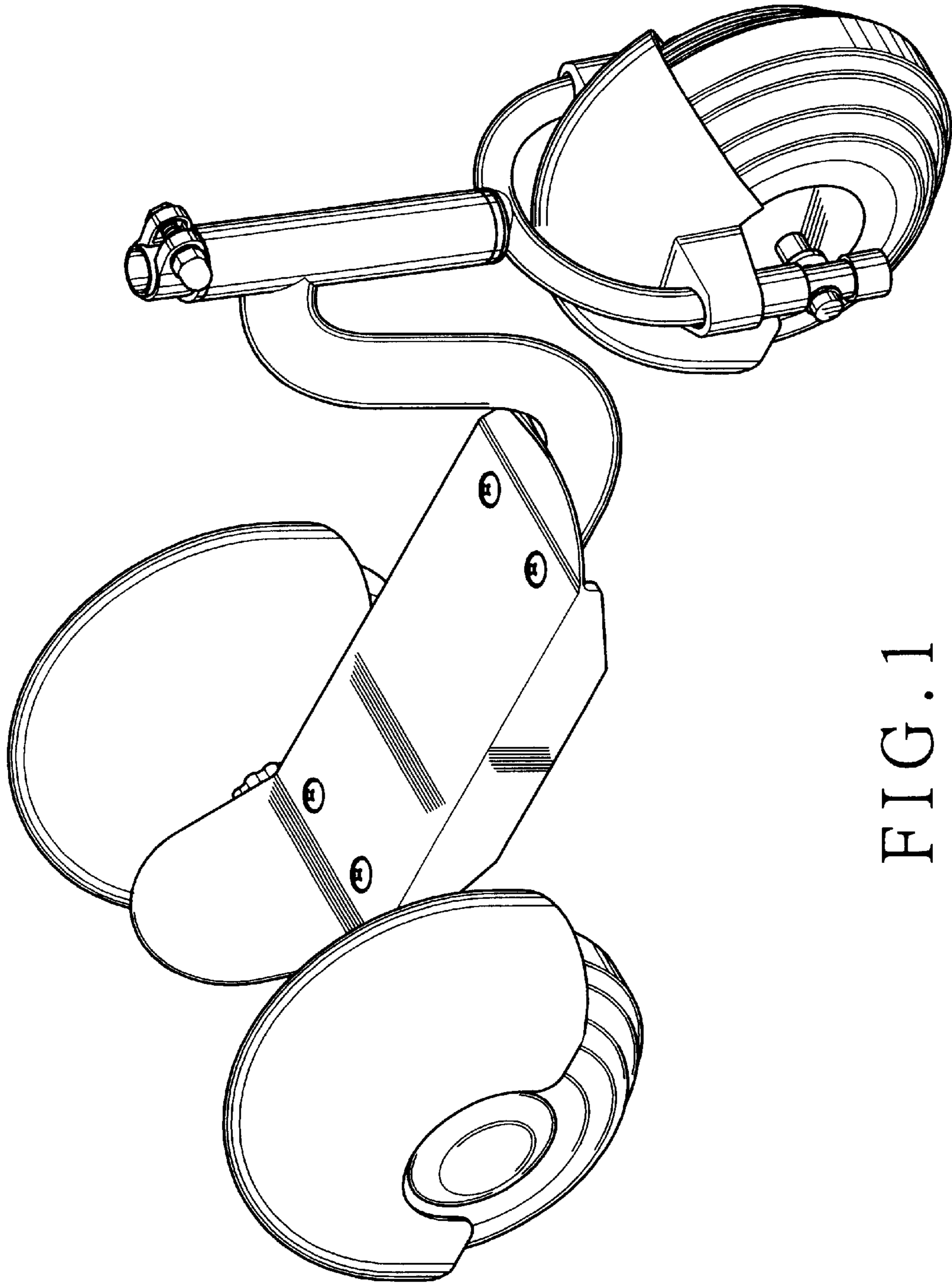


FIG. 1

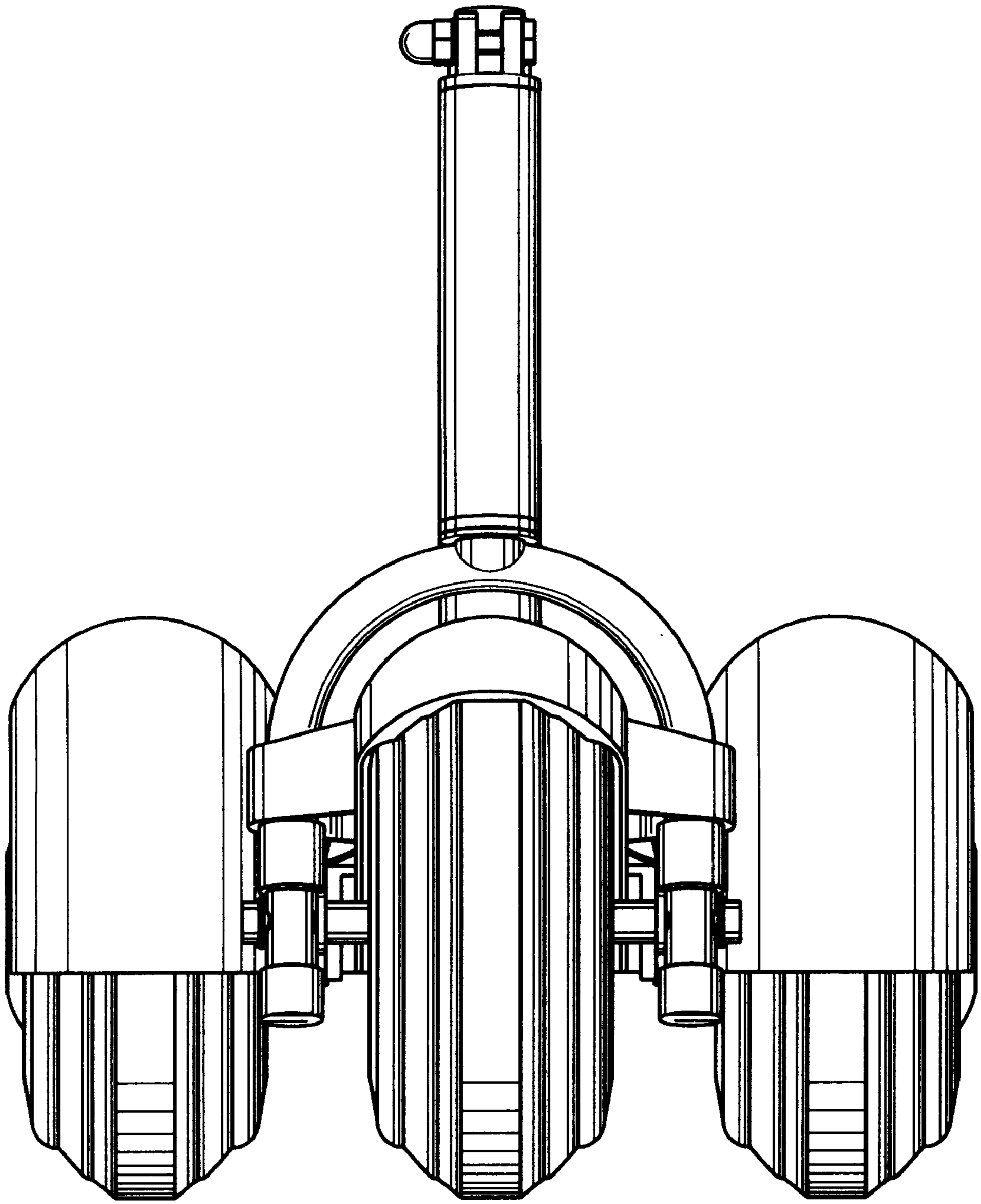


FIG. 2

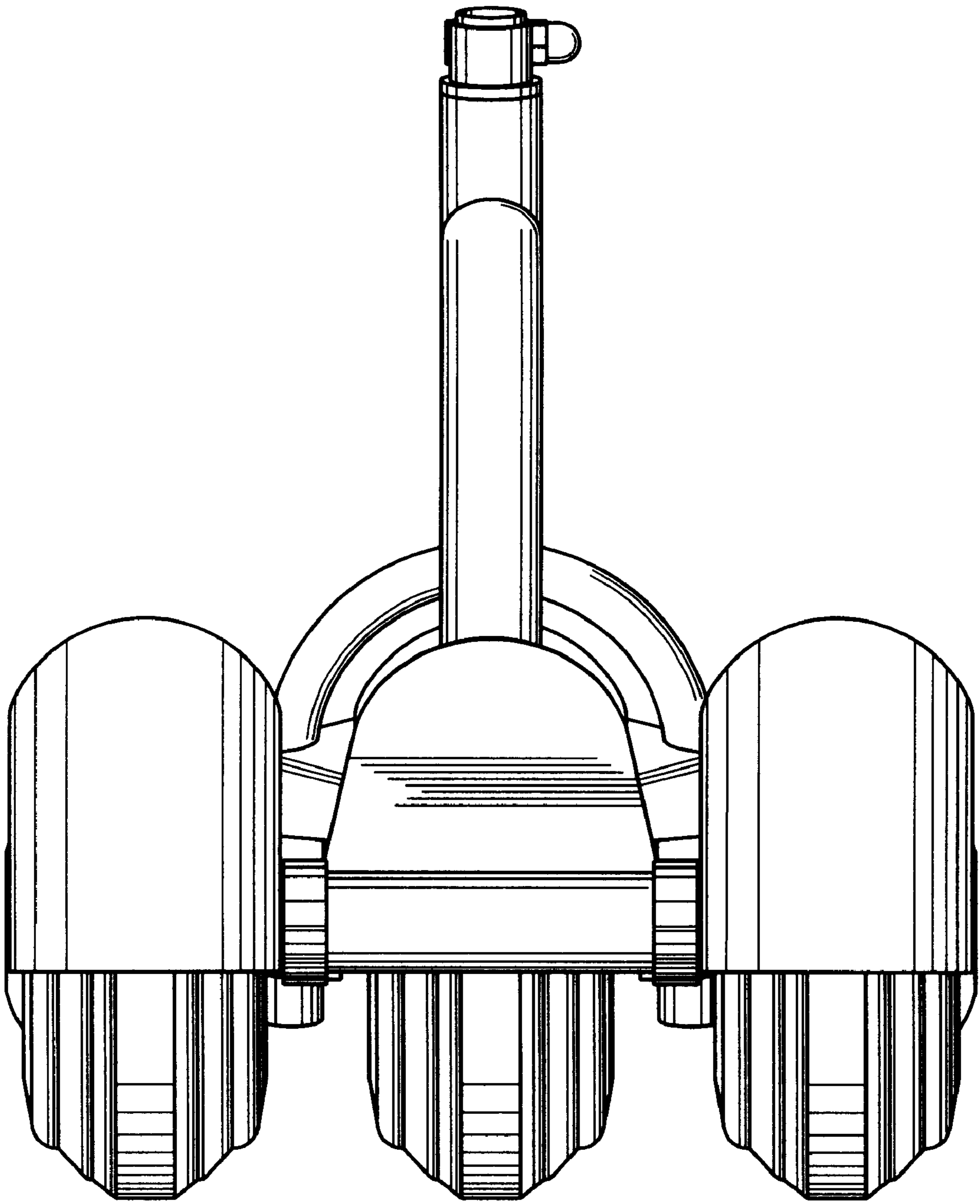


FIG. 3

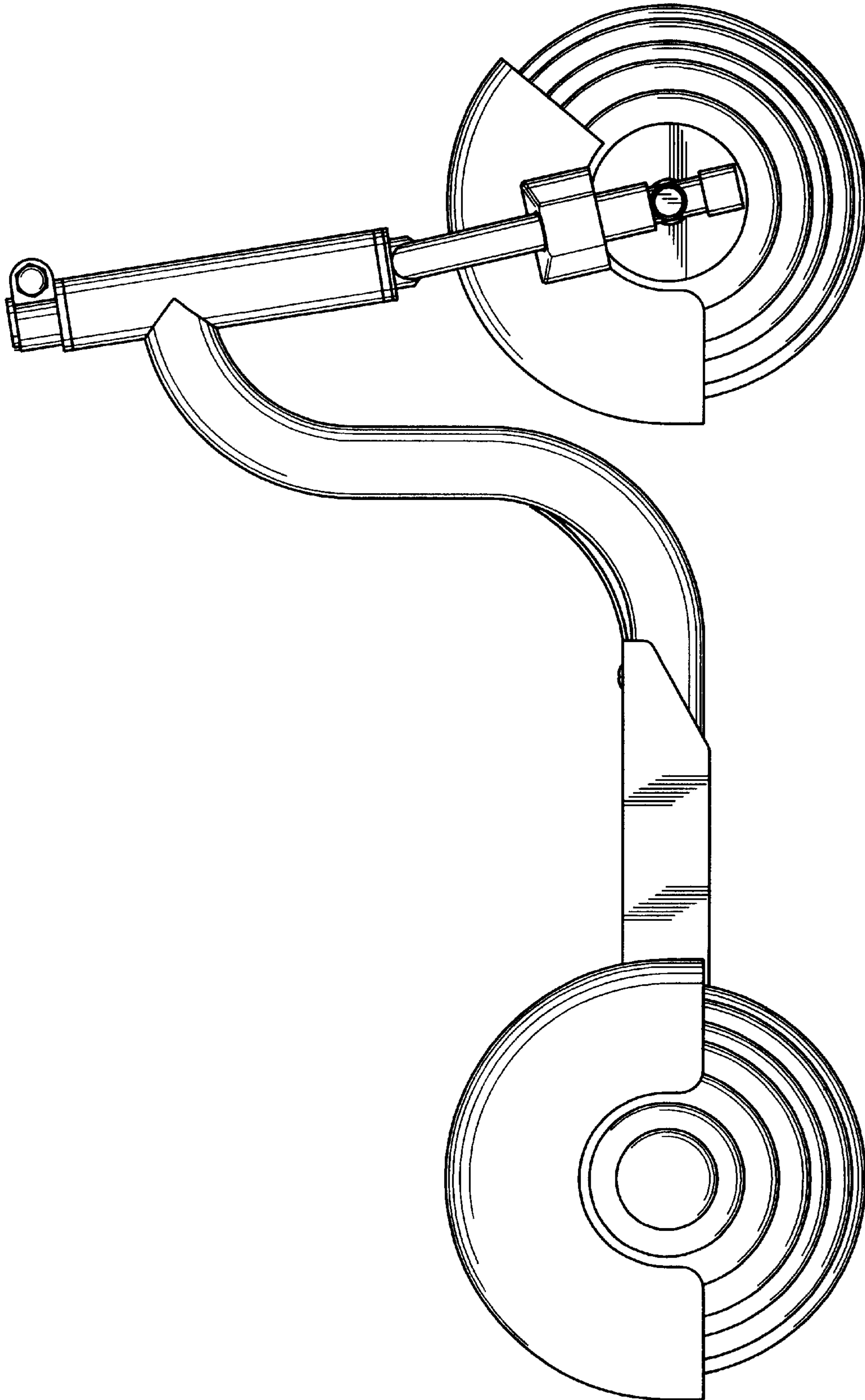


FIG. 4

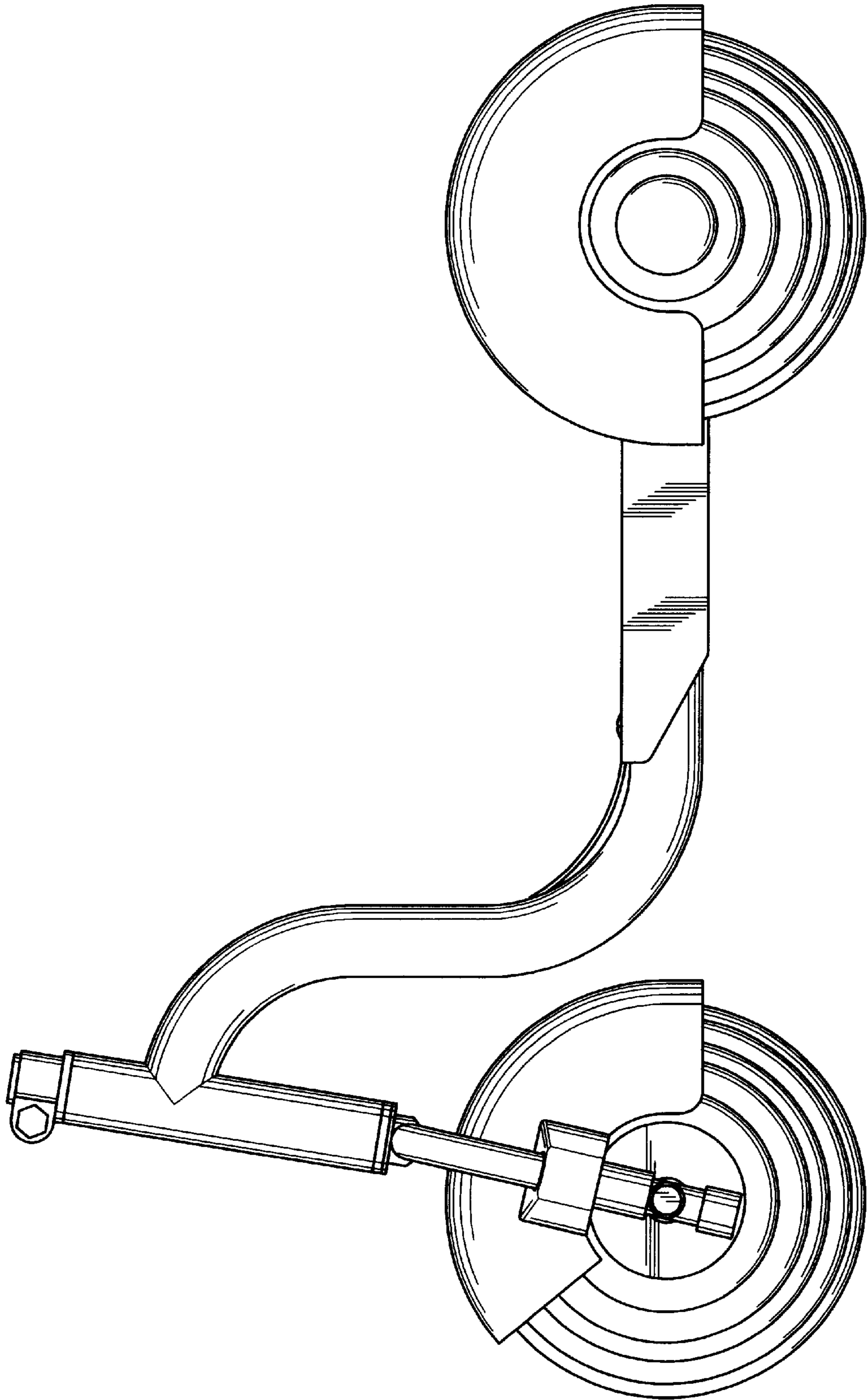


FIG. 5

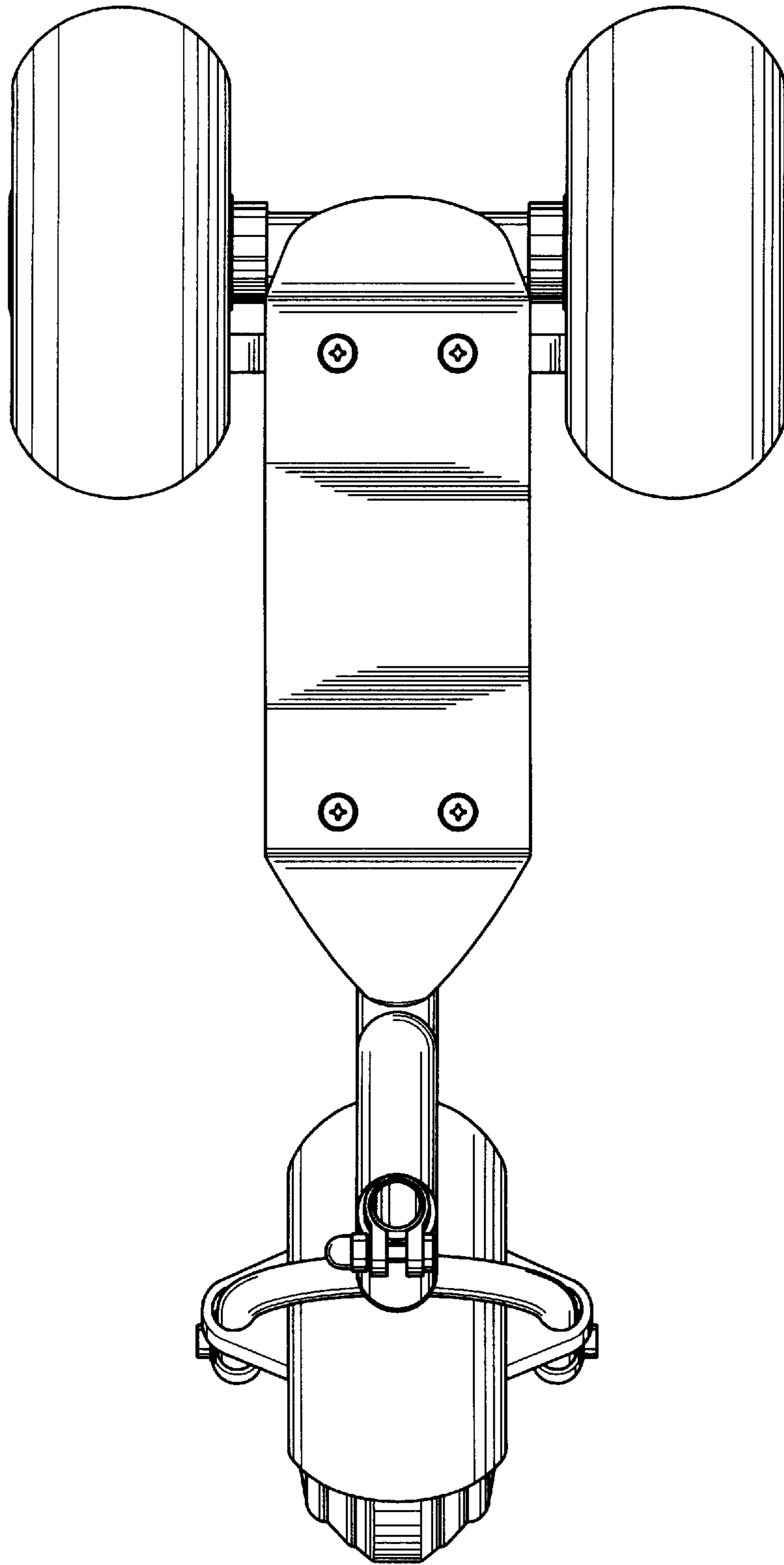


FIG. 6

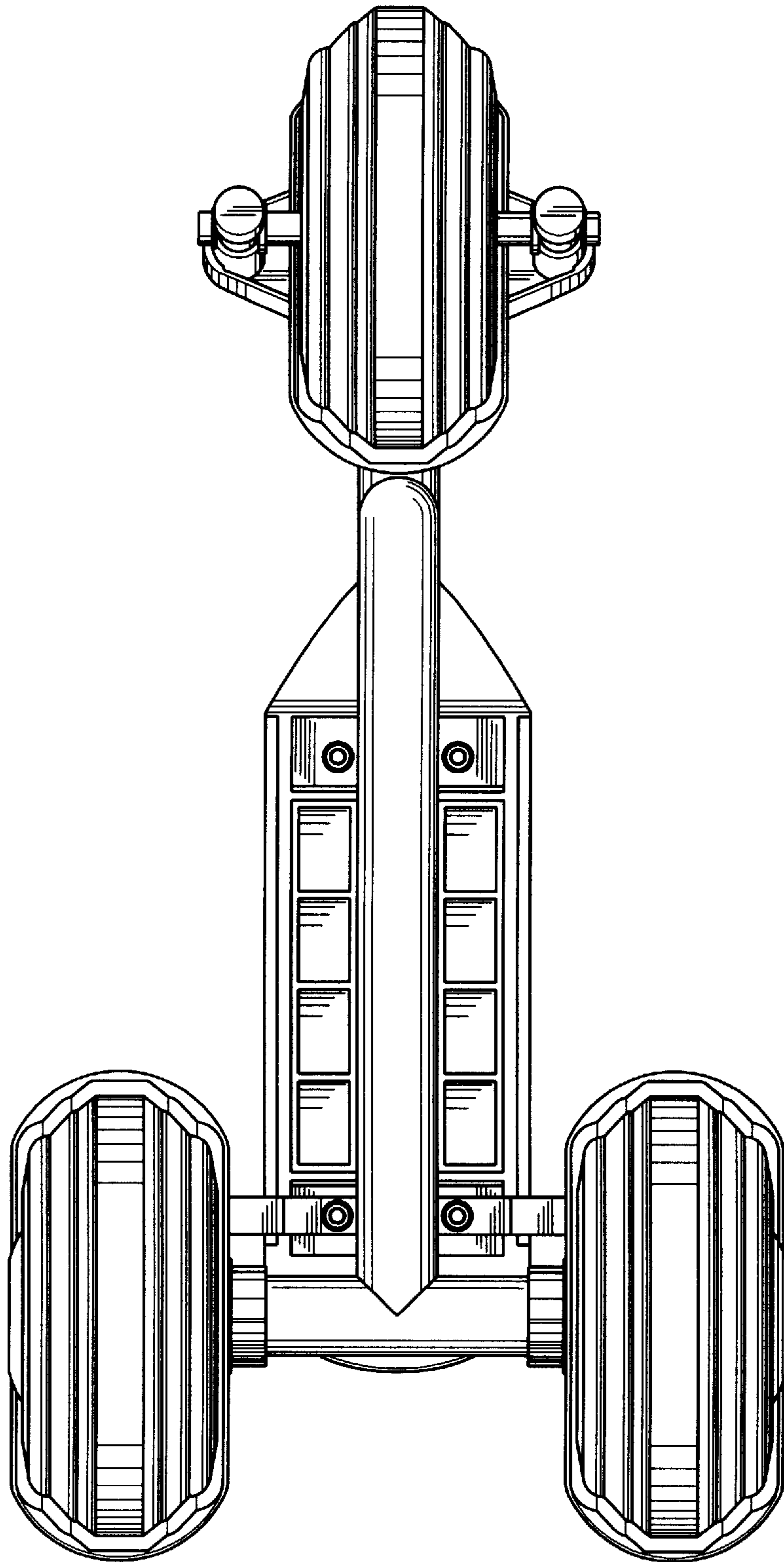


FIG. 7