



US00D442999S

(12) **United States Design Patent**
Okimoto

(10) **Patent No.:** **US D442,999 S**

(45) **Date of Patent:** **** May 29, 2001**

(54) **CONTROLLER FOR VIDEO GAMES**

5,805,138 * 6/1999 Brawne et al. 273/148 B

5,841,426 * 11/1998 Dodson et al. 345/163

(75) Inventor: **Masakazu Okimoto**, Tokyo (JP)

* cited by examiner

(73) Assignees: **ASCII Corporation; Opus Corporation**, both of Tokyo (JP)

Primary Examiner—Prabhakar Deshmukh

(**) Term: **14 Years**

(74) *Attorney, Agent, or Firm*—Kolisich Hartwell Dickinson McCormack & Heuser

(21) Appl. No.: **29/126,262**

(57) **CLAIM**

(22) Filed: **Jul. 11, 2000**

The ornamental design for the controller for video games, as shown and described.

(30) **Foreign Application Priority Data**

DESCRIPTION

Feb. 17, 2000 (JP) 12-002837

(51) **LOC (7) Cl.** **21-01**

FIG. 1 is a top plan view of a controller for video games. FIG. 2 is a front elevation view thereof; the rear elevation view is identical with the front elevation view.

(52) **U.S. Cl.** **D21/333**

FIG. 3 is a bottom plan view thereof.

(58) **Field of Search** D21/324-333;
D14/400, 401, 412-416, 496; 273/148 B,
119 A, 118 A; 463/1, 30-47, 49, 50, 51;
348/734; 345/161, 164; 455/352-355, 899

FIG. 4 is a left side elevational view thereof.

FIG. 5 is a right side elevation view thereof.

(56) **References Cited**

FIG. 6 is a cross sectional view taken along line 6-6 of FIG. 1 showing the horizontal cross section of the top plan view. FIG. 7 is a referential view showing the controller attached to the analogue keys.

U.S. PATENT DOCUMENTS

FIG. 8 is a referential view showing the controller sliding in the direction the arrow indicates; and,

- D. 411,584 * 6/1999 Beyer D21/329
- D. 411,587 * 6/1999 Beyer D21/333
- D. 415,799 * 10/1999 Beyer D14/400 X
- D. 431,606 * 10/2000 Shimomura et al. D21/333
- 4,494,754 * 1/1985 Wagner, Jr. 273/148 B
- 4,573,682 * 3/1986 Mayon 273/148 B
- 5,207,791 * 5/1993 Scherbarth 273/148 B

FIG. 9 is a referential view showing the hinges being twisted.

The broken lines are for illustrative purpose only and forms no part of the claimed design.

1 Claim, 2 Drawing Sheets

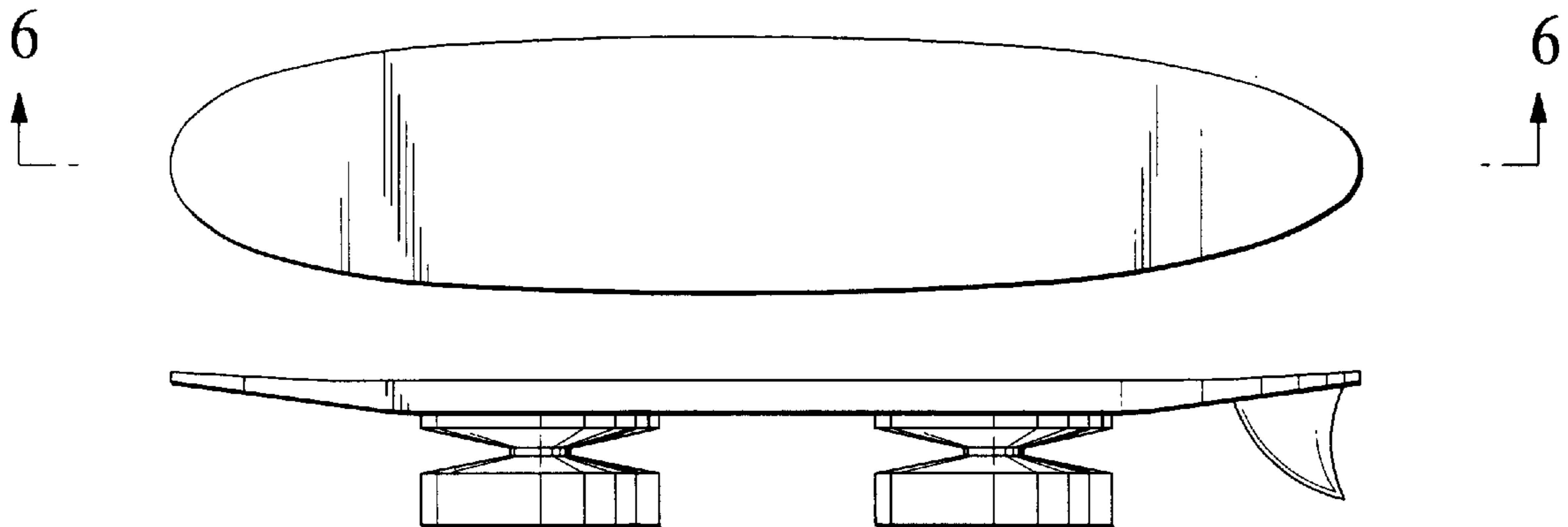


FIG. 1

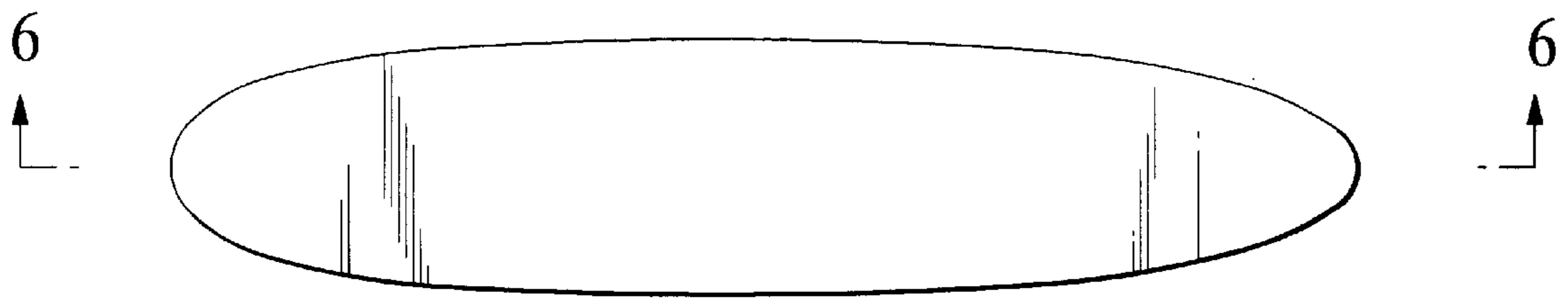


FIG. 2

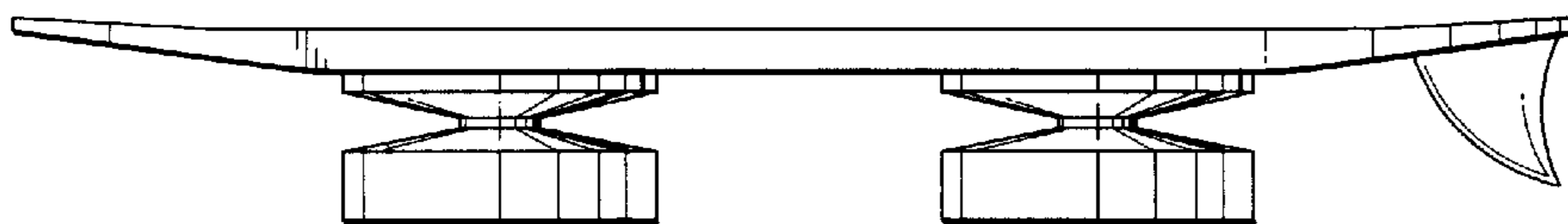


FIG. 3

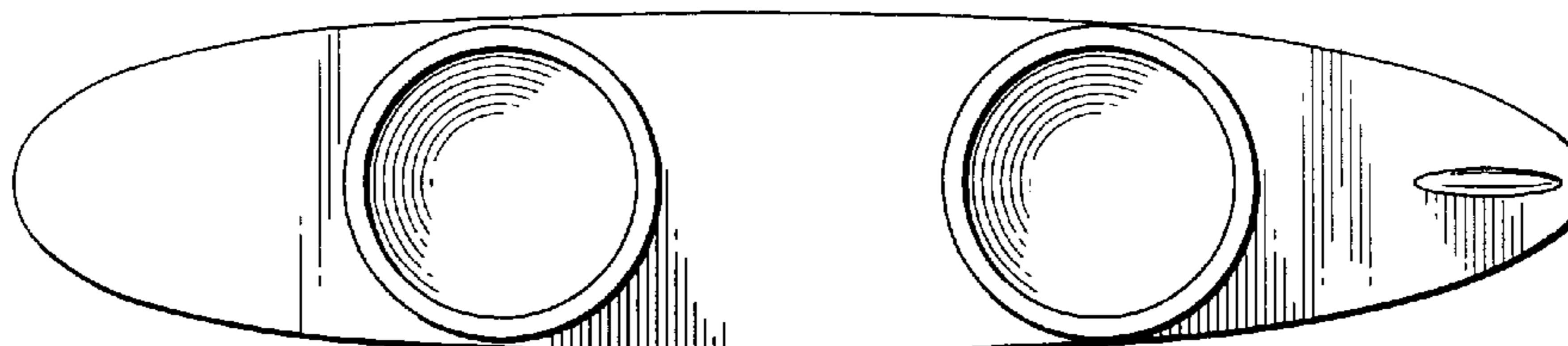


FIG. 4

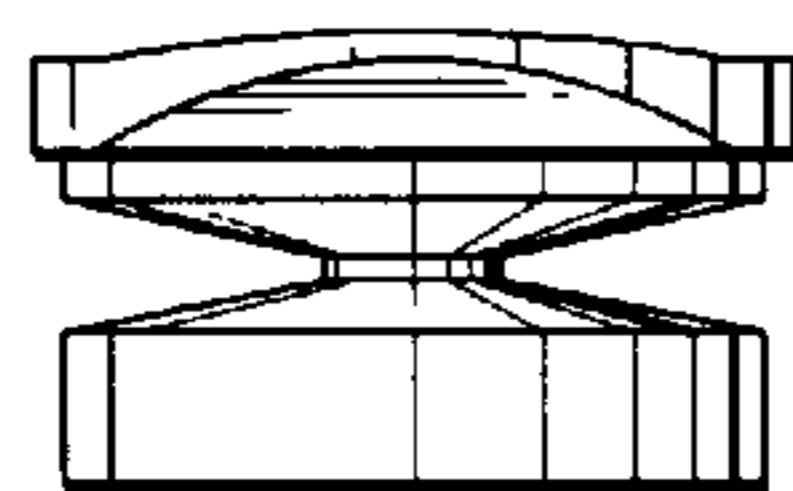


FIG. 5

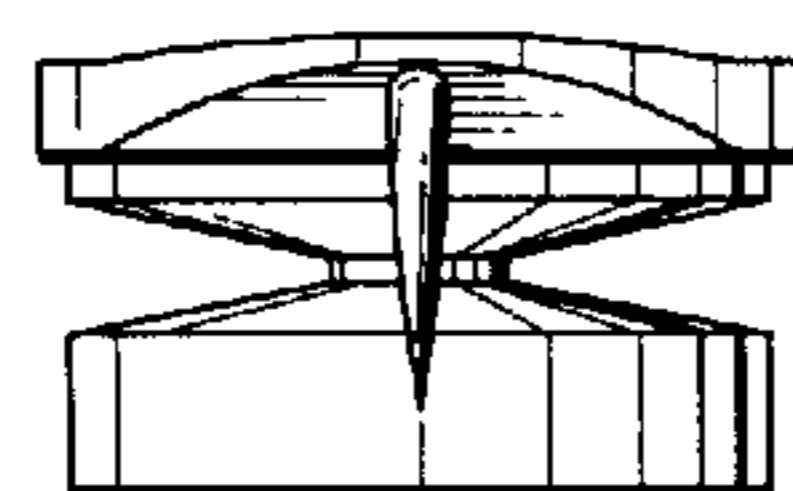


FIG. 6

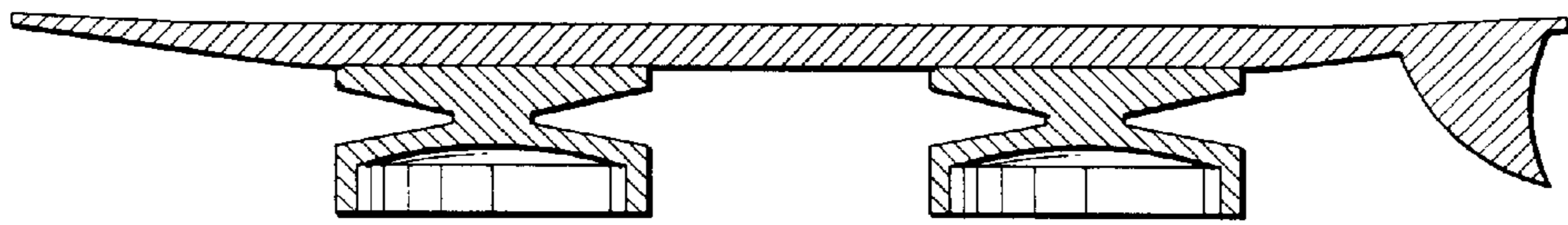


FIG. 7

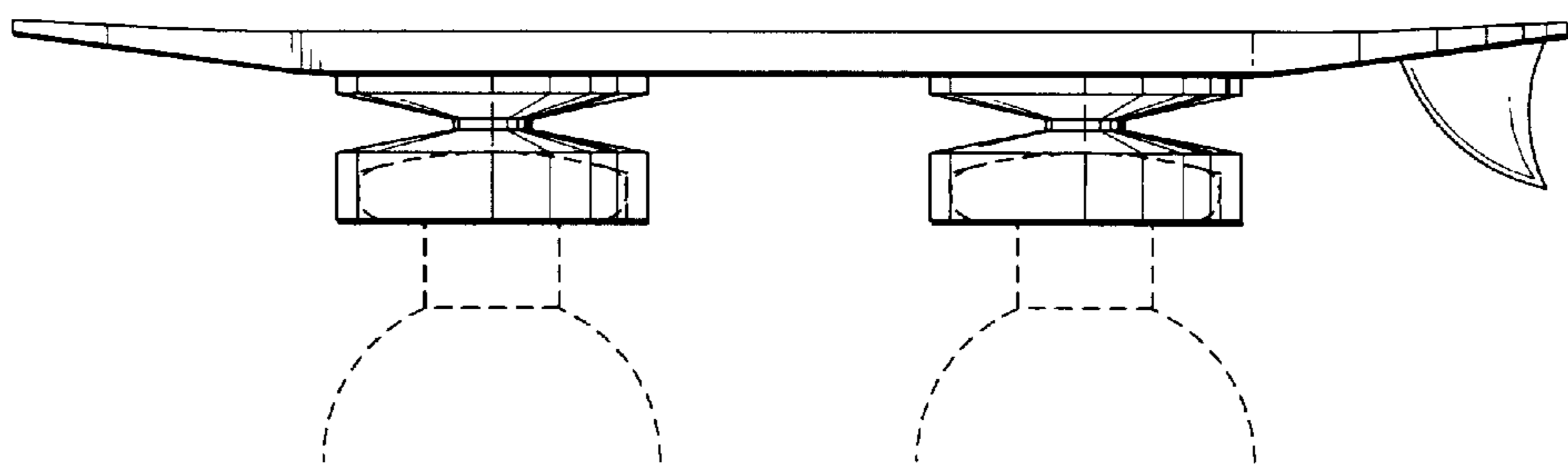


FIG. 8

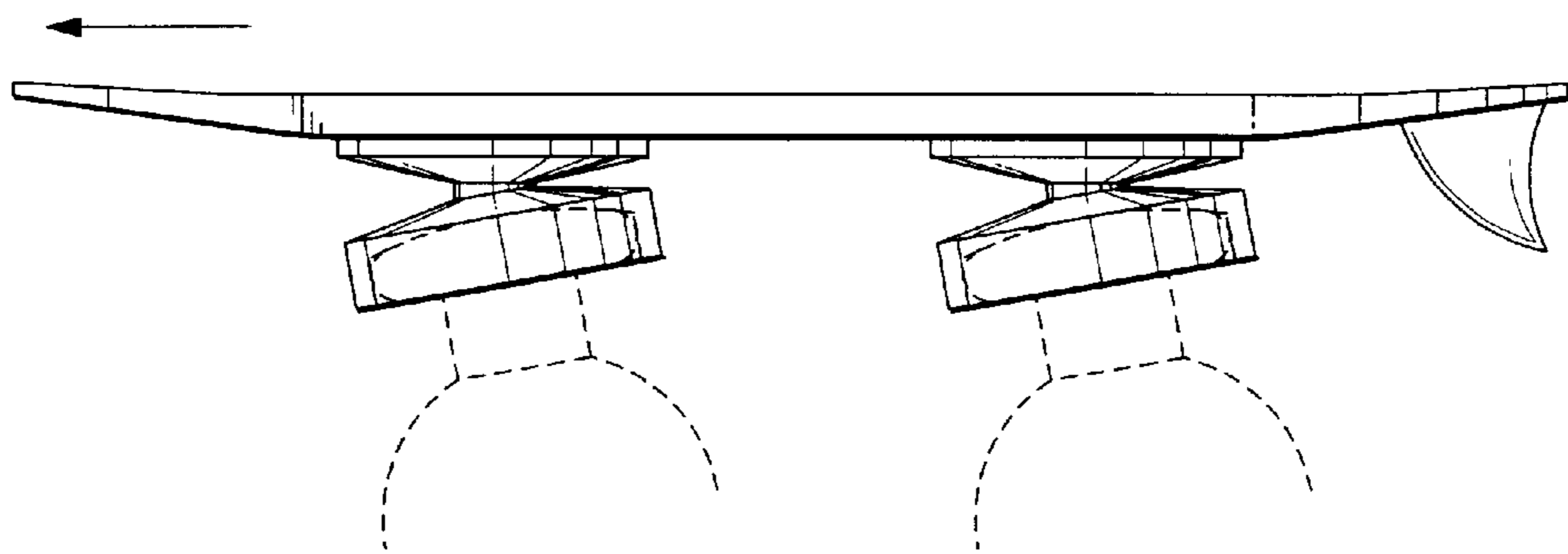


FIG. 9

