



US00D442998S

(12) **United States Design Patent**
Ashida

(10) **Patent No.:** **US D442,998 S**

(45) **Date of Patent:** **** May 29, 2001**

(54) **MAGNETIC DISK DRIVE FOR GAME MACHINE**

(75) **Inventor:** **Kenichiro Ashida, Kyoto (JP)**

(73) **Assignee:** **Nintendo of America Inc., Redmond, WA (US)**

(**) **Term:** **14 Years**

(21) **Appl. No.:** **29/103,432**

(22) **Filed:** **Apr. 14, 1999**

(51) **LOC (7) Cl.** **21-01**

(52) **U.S. Cl.** **D21/332**

(58) **Field of Search** D21/324, 328, D21/332, 333; D14/117.1, 117.7, 117.9, 124, 114; 273/148 B; 463/1, 29-35, 40-47

(56) **References Cited**

U.S. PATENT DOCUMENTS

| | | | | | |
|------------|---|---------|-----------------|-------|---------|
| D. 362,869 | * | 10/1995 | Oikawa | | D21/332 |
| D. 379,832 | | 6/1997 | Ashida | | D21/332 |
| D. 383,800 | * | 9/1997 | Ishizaki et al. | | D21/332 |
| D. 393,013 | | 3/1998 | Ashida | | D21/332 |
| D. 393,884 | * | 4/1998 | Hayami | | D21/332 |
| D. 402,328 | | 12/1998 | Ashida | | D21/332 |

| | | | | | |
|------------|---|--------|---------------|-------|-----------|
| D. 407,084 | * | 3/1999 | Waler et al. | | D21/332 |
| D. 412,940 | * | 8/1999 | Kato et al. | | D21/332 |
| 5,184,830 | * | 2/1993 | Okada et al. | | 463/29 |
| 5,213,327 | * | 5/1993 | Kitae | | 273/148 B |
| 5,643,087 | * | 7/1997 | Marcus et al. | | 463/38 |

* cited by examiner

Primary Examiner—Prabhakar Deshmukh

(74) *Attorney, Agent, or Firm*—Nixon & Vanderhye PC

(57) **CLAIM**

The ornamental design for a magnetic disk drive for game machine, as shown and described.

DESCRIPTION

FIG. 1 is a top, front, and left perspective view of a magnetic disk drive for game machine in accordance with the new design;

FIG. 2 is a bottom, rear and right perspective view thereof;

FIG. 3 is a front elevational view thereof;

FIG. 4 is a top plan view thereof;

FIG. 5 is a rear elevational view thereof;

FIG. 6 is a bottom plan view thereof;

FIG. 7 is a right side view thereof; and,

FIG. 8 is a left side view thereof.

1 Claim, 7 Drawing Sheets

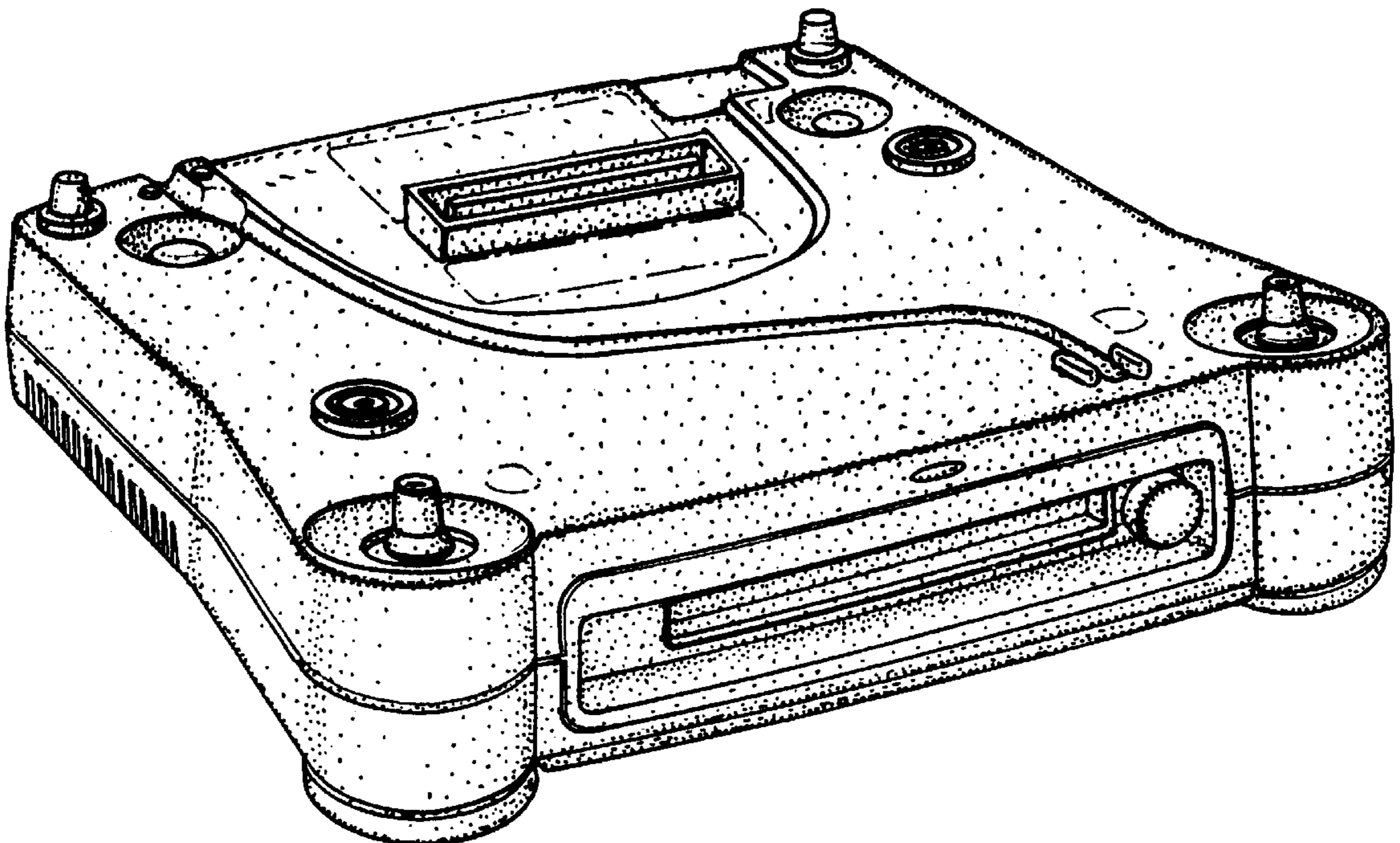
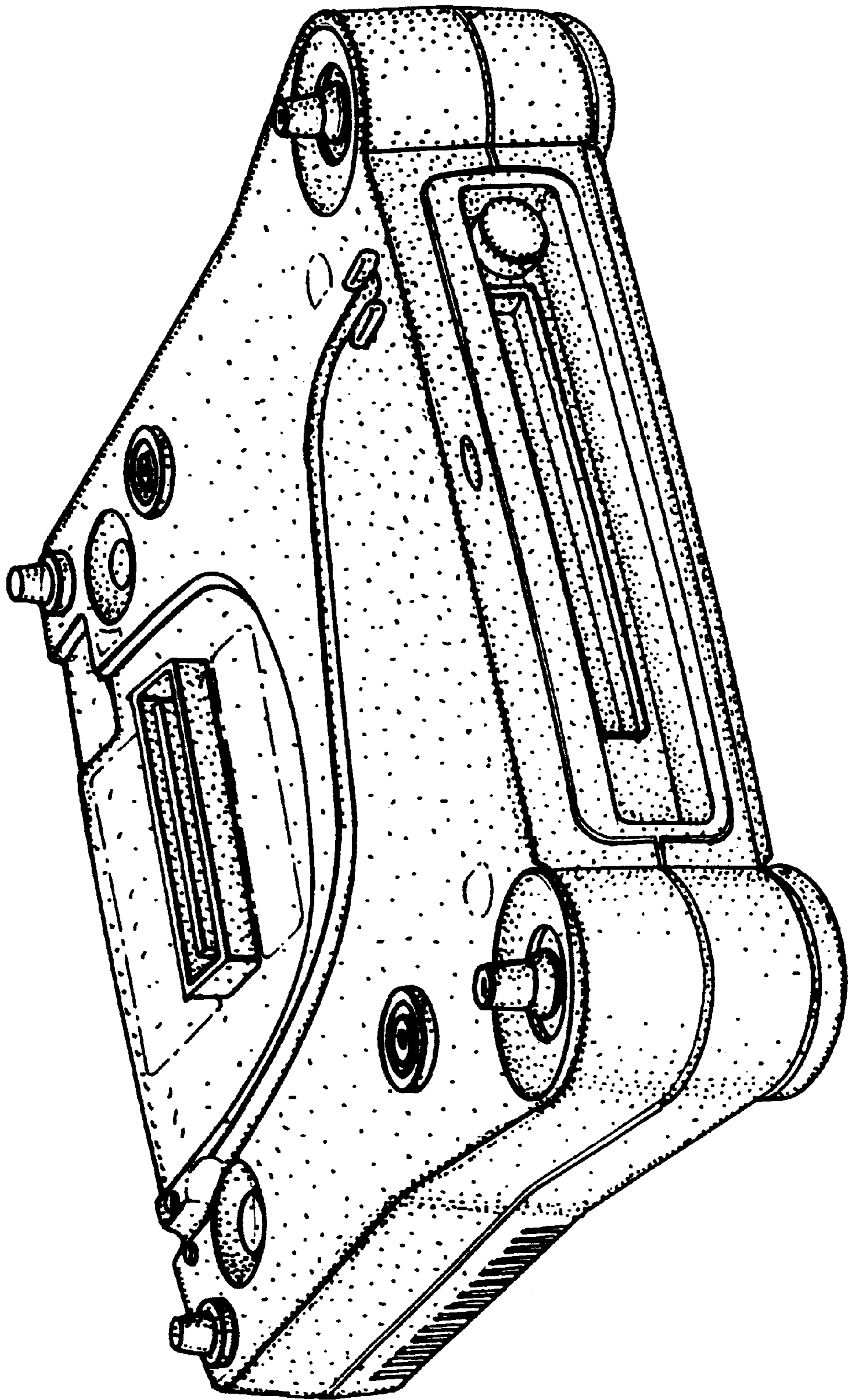


FIG. 1



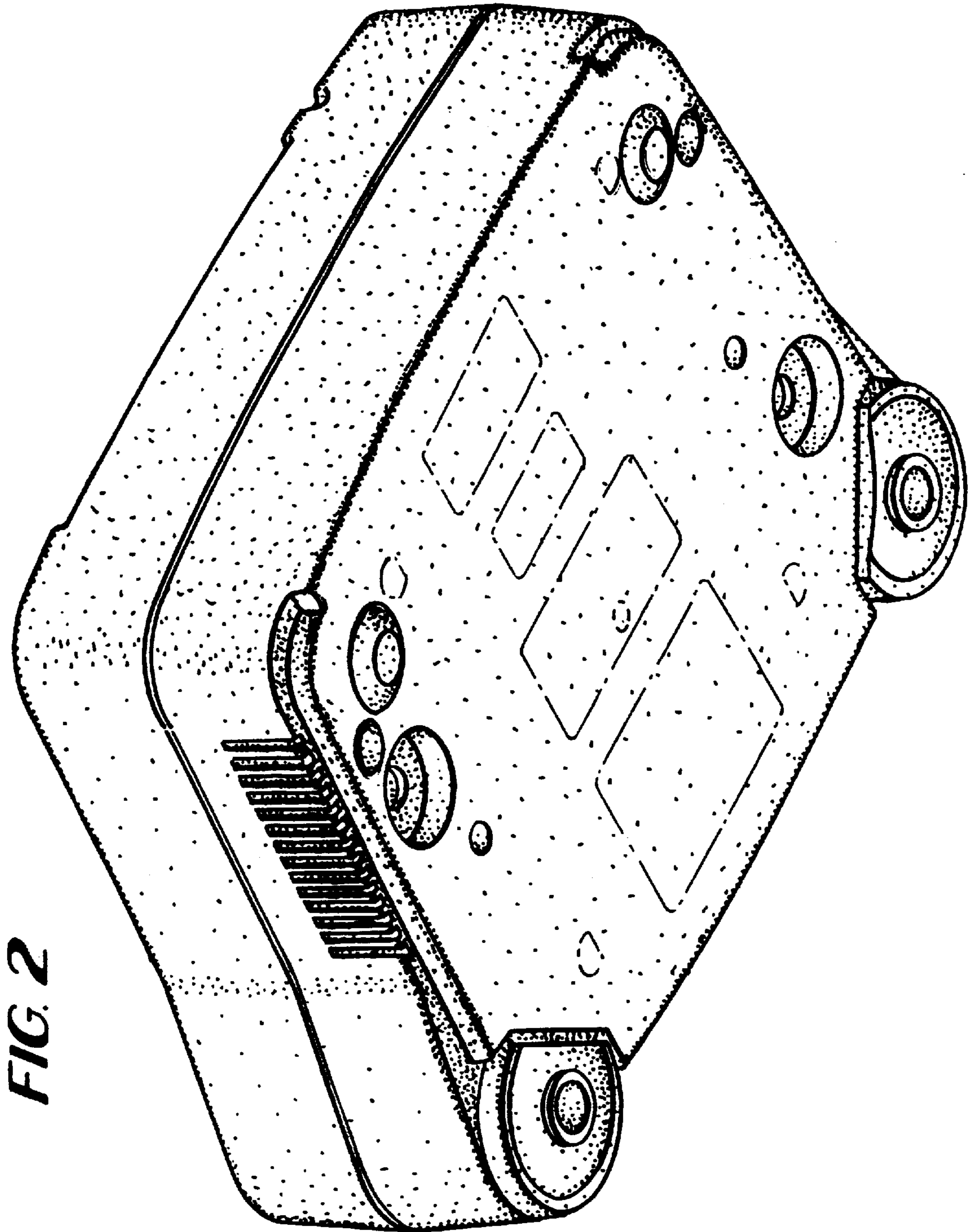


FIG. 2

FIG. 3

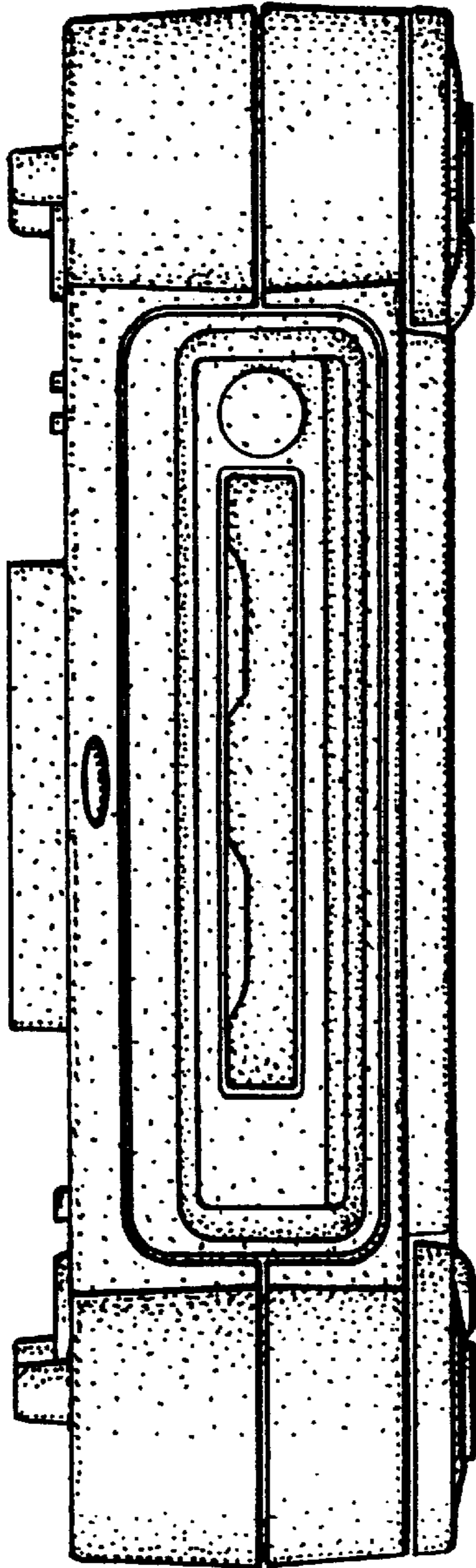


FIG. 5

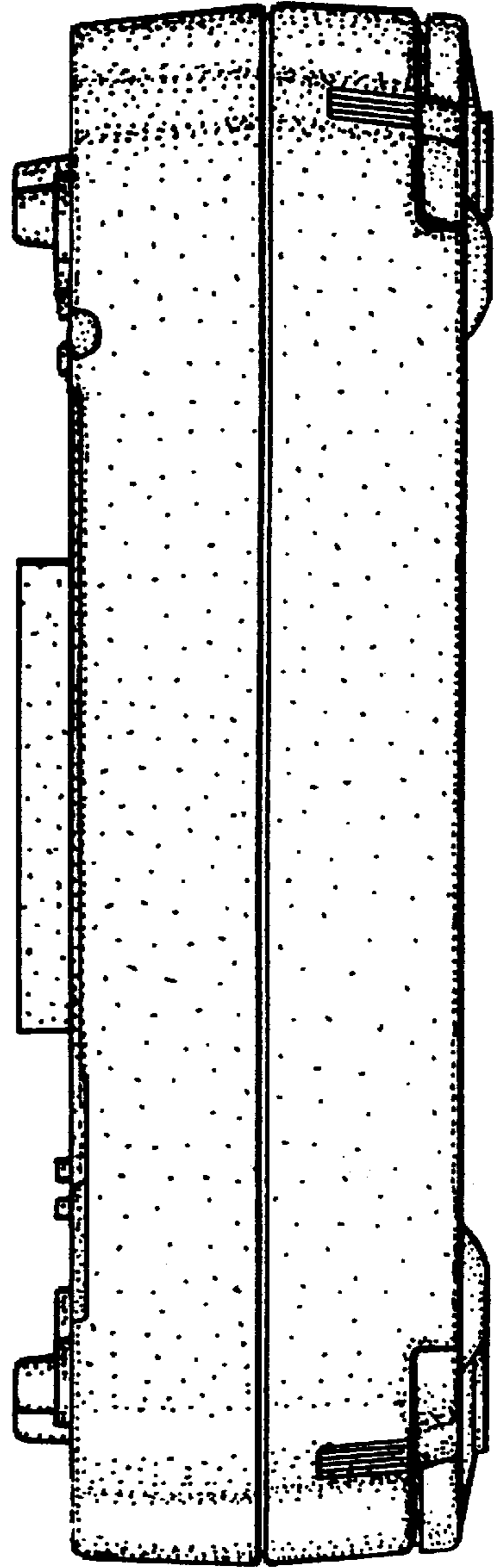
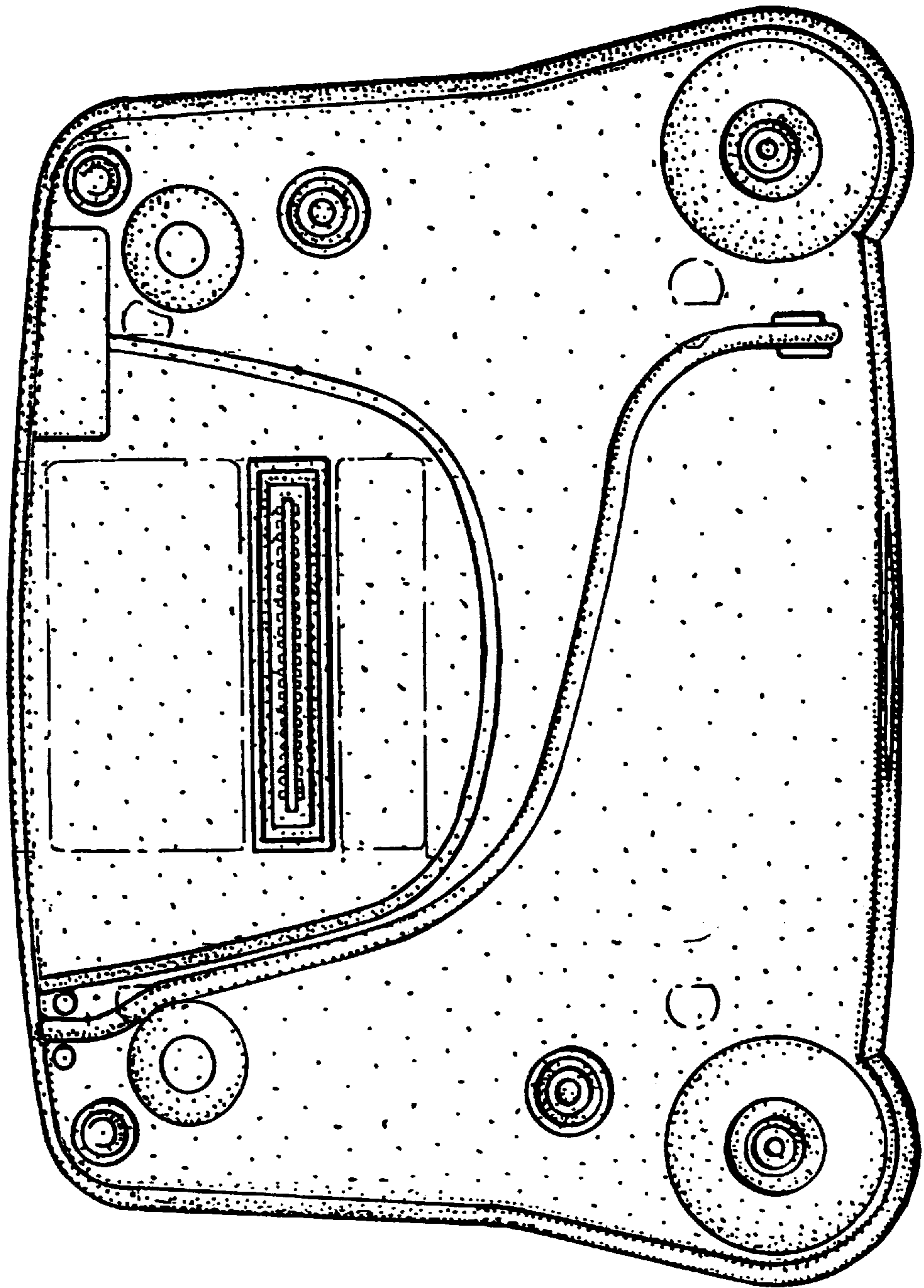


FIG. 4



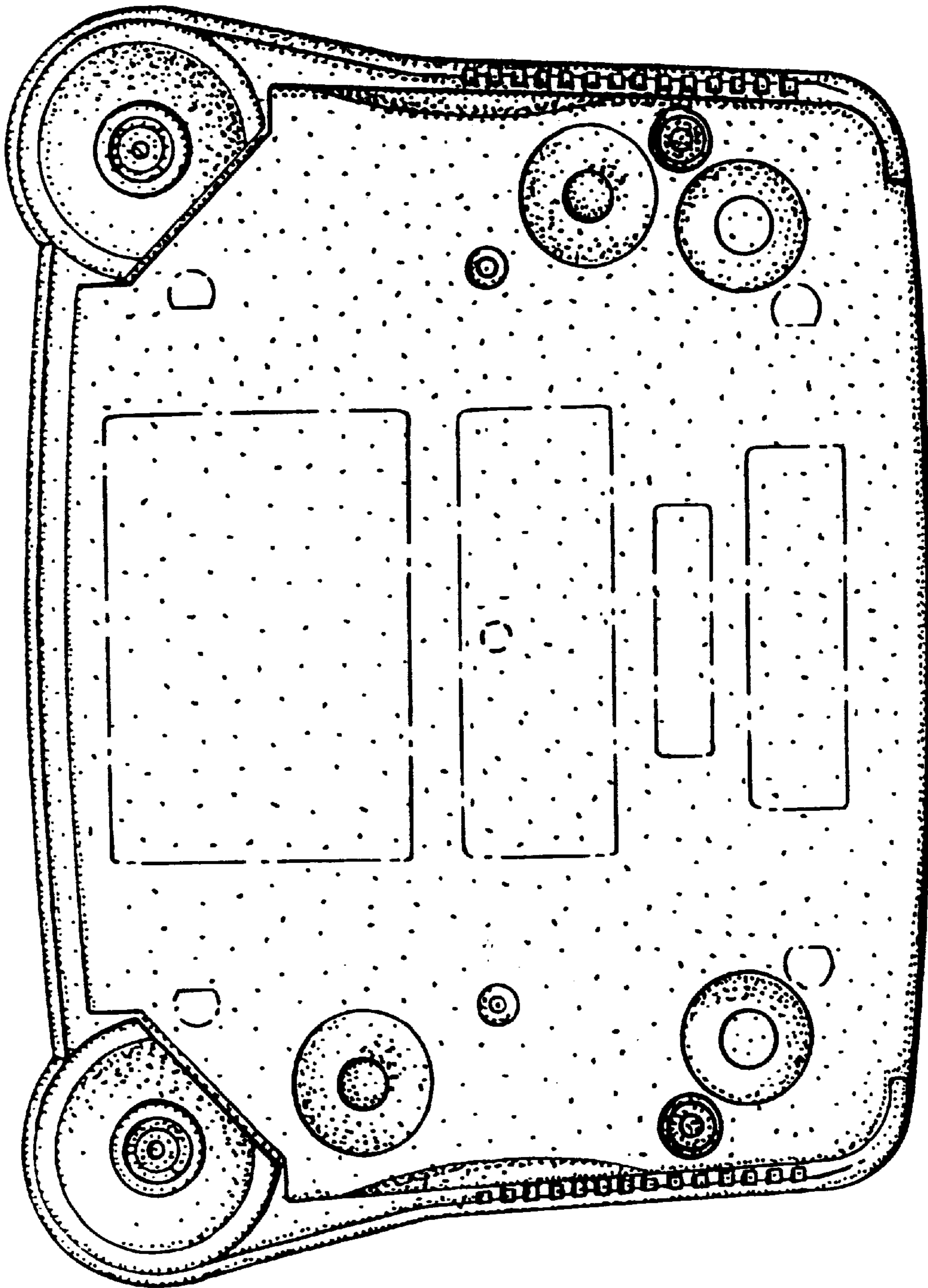


FIG 6

FIG. 7

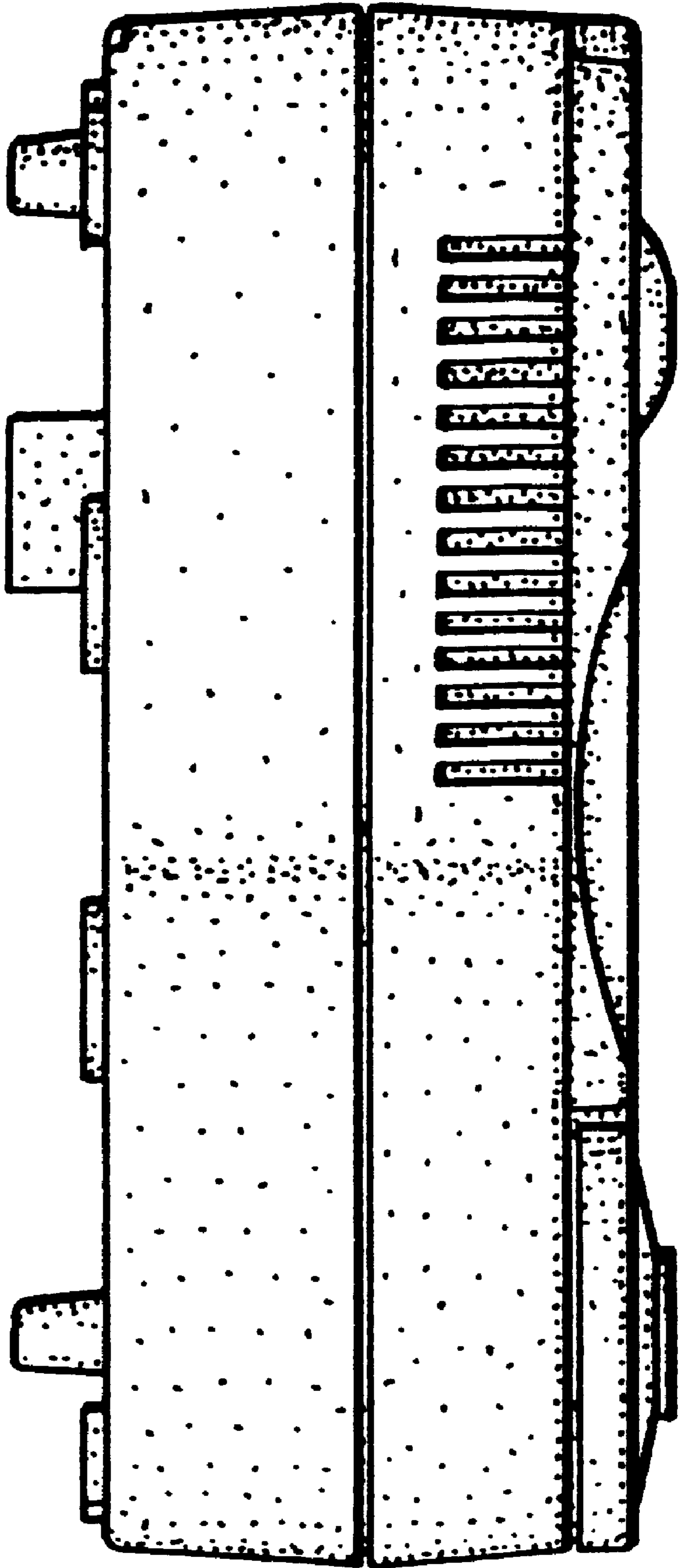


FIG. 8

