



US00D442989S

(12) **United States Design Patent**
Leong et al.

(10) **Patent No.:** **US D442,989 S**

(45) **Date of Patent:** **** May 29, 2001**

(54) **COMBINED PRINTER, FACSIMILE, COPIER AND SCANNER**

(75) Inventors: **David W. Leong; Minh Chu**, both of San Diego, CA (US)

(73) Assignee: **Hewlett-Packard Comapny**, Palo Alto, CA (US)

(**) Term: **14 Years**

(21) Appl. No.: **29/121,821**

(22) Filed: **Apr. 13, 2000**

(51) **LOC (7) Cl.** **14-02**

(52) **U.S. Cl.** **D18/55; D14/422; D14/469; D18/36**

(58) **Field of Search** D18/50, 54-55, D18/36-39; D14/462-470, 420-431; 400/613, 613.1-613.4, 691-694, 690.1-690.4; 358/400-401, 501-502, 505-506, 468; 355/19, 128

(56) **References Cited**

U.S. PATENT DOCUMENTS

- D. 343,923 * 2/1994 Nakashima et al. D28/49
- D. 346,163 * 4/1994 Sowden D14/466
- D. 355,179 * 2/1995 Sawada et al. D14/468
- D. 363,713 * 10/1995 Kanari et al. D14/468
- D. 370,905 * 6/1996 Ishio D14/469

- D. 377,370 * 1/1997 Escobedo et al. D18/55
- D. 381,328 * 7/1997 Nguyen et al. D14/462
- D. 398,917 * 9/1998 Senshiki D14/470
- D. 420,998 * 2/2000 Leong et al. D14/422
- D. 425,884 * 5/2000 Miyazawa D14/470
- D. 428,608 * 7/2000 Ishio et al. D14/470
- D. 434,046 * 11/2000 Nakamura D14/468
- D. 434,436 * 11/2000 Fetherolf D18/55
- D. 435,860 * 1/2001 Chen D18/55
- 5,986,776 * 11/1999 Park 358/400

* cited by examiner

Primary Examiner—Cathy Anne MacCormac

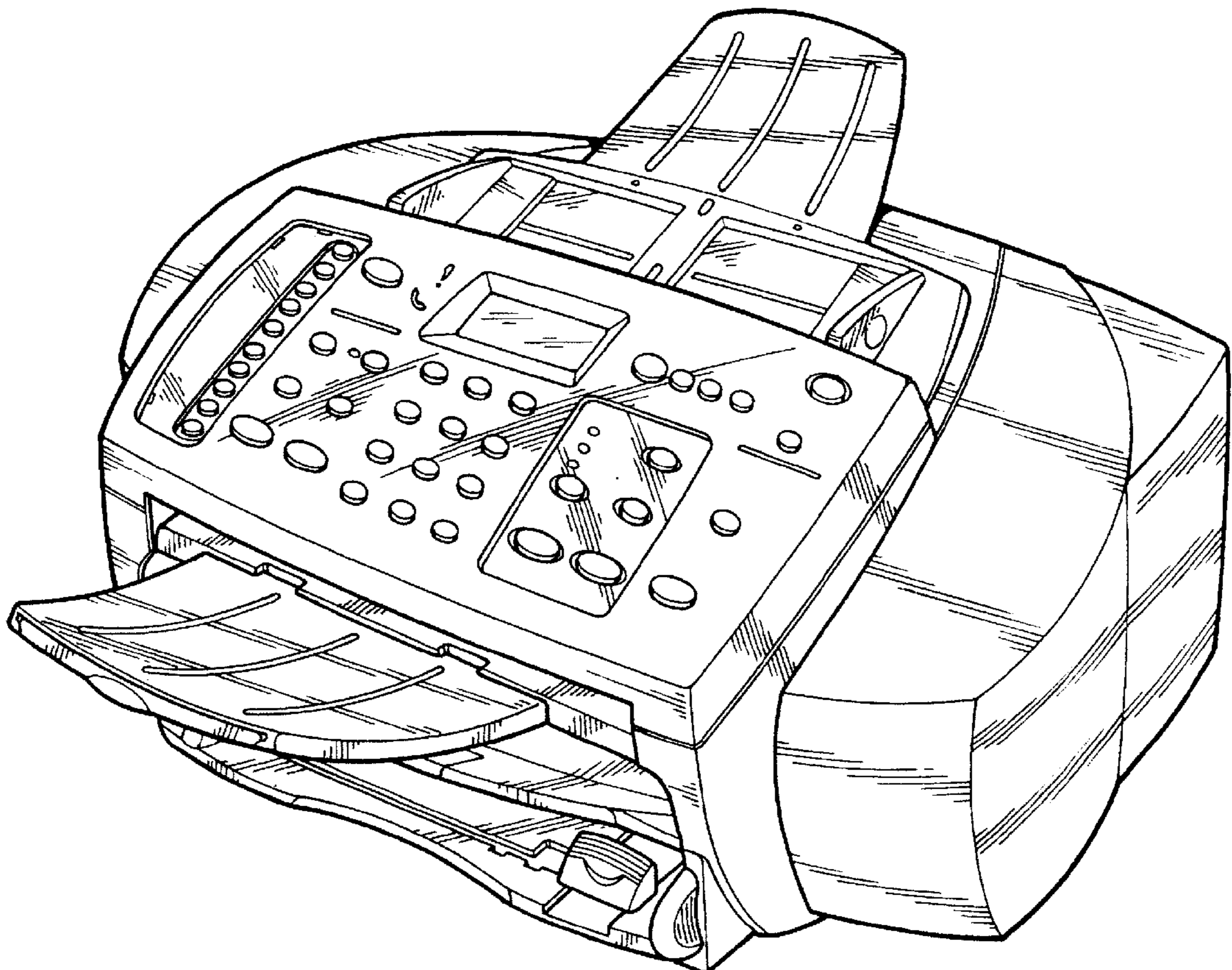
(57) **CLAIM**

The ornamental design for a combined printer, facsimile, copier and scanner, as shown.

DESCRIPTION

FIG. 1 is a front perspective view of a combined printer, facsimile, copier and scanner showing the new design; FIG. 2 is a rear elevational view thereof; FIG. 3 is a front elevational view thereof; FIG. 4 is a top plan view thereof; FIG. 5 is a left side elevational view thereof; FIG. 6 is a right side elevational view thereof; and, FIG. 7 is a bottom plan view thereof.

1 Claim, 4 Drawing Sheets



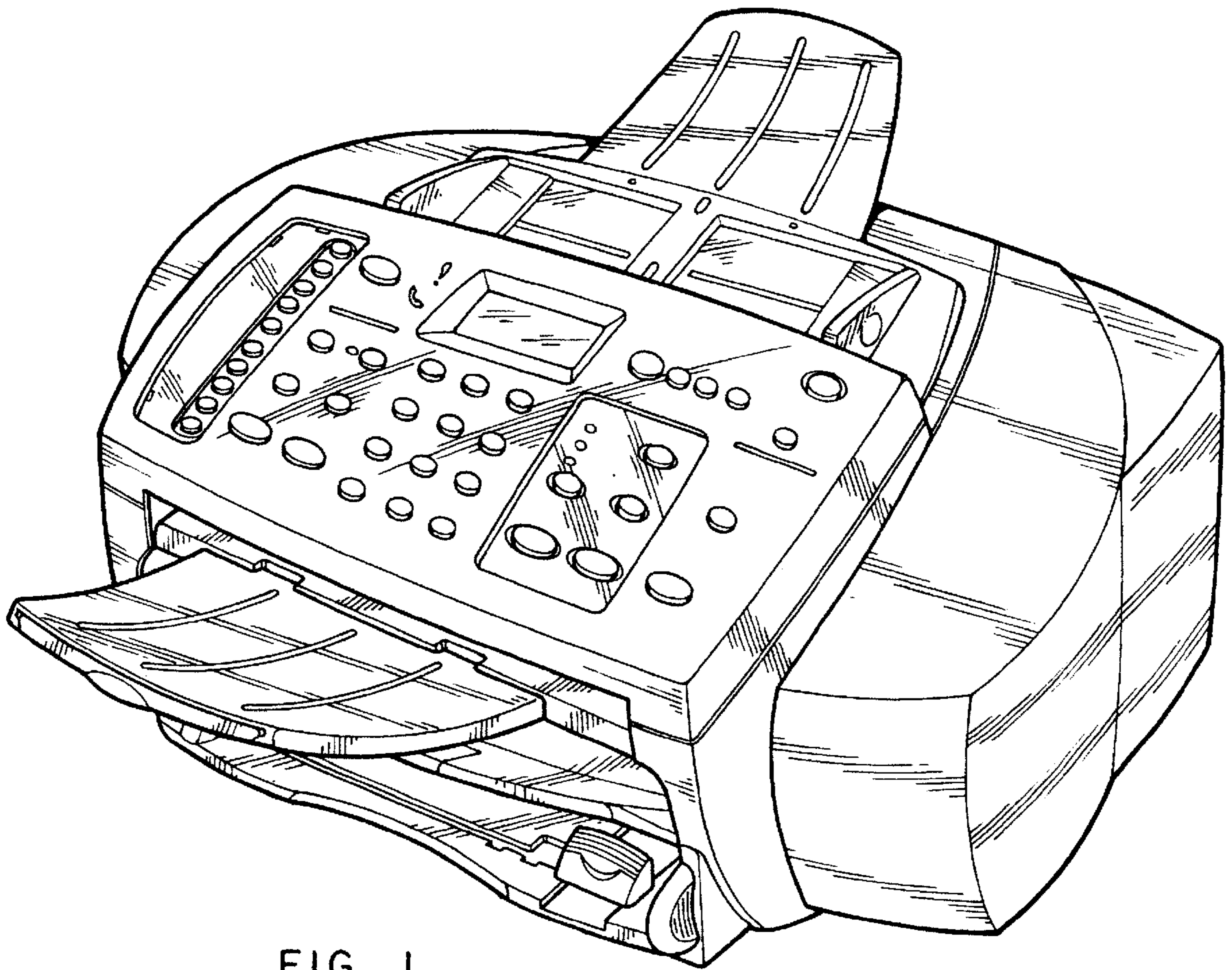


FIG. 1

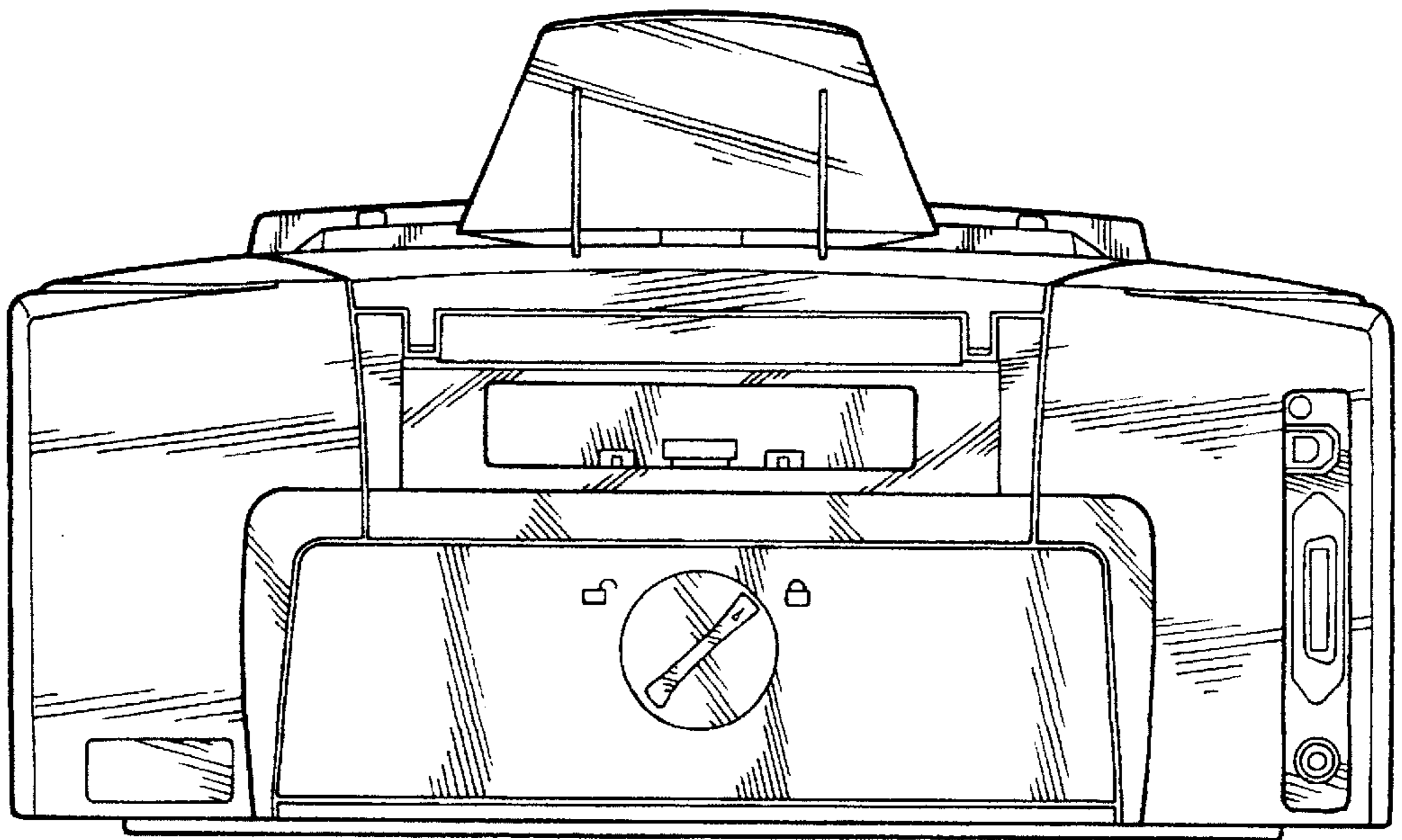


FIG. 2

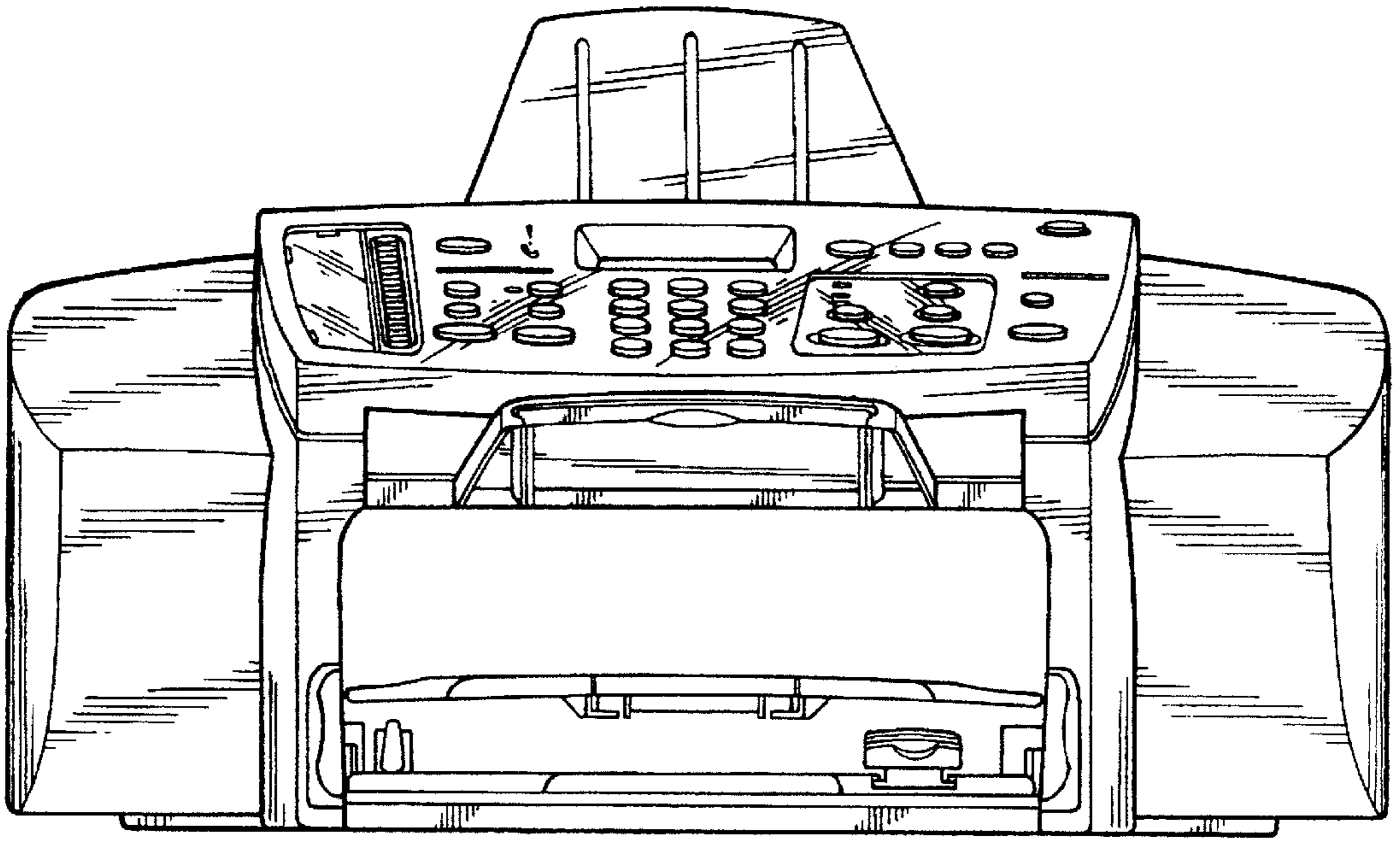


FIG. 3

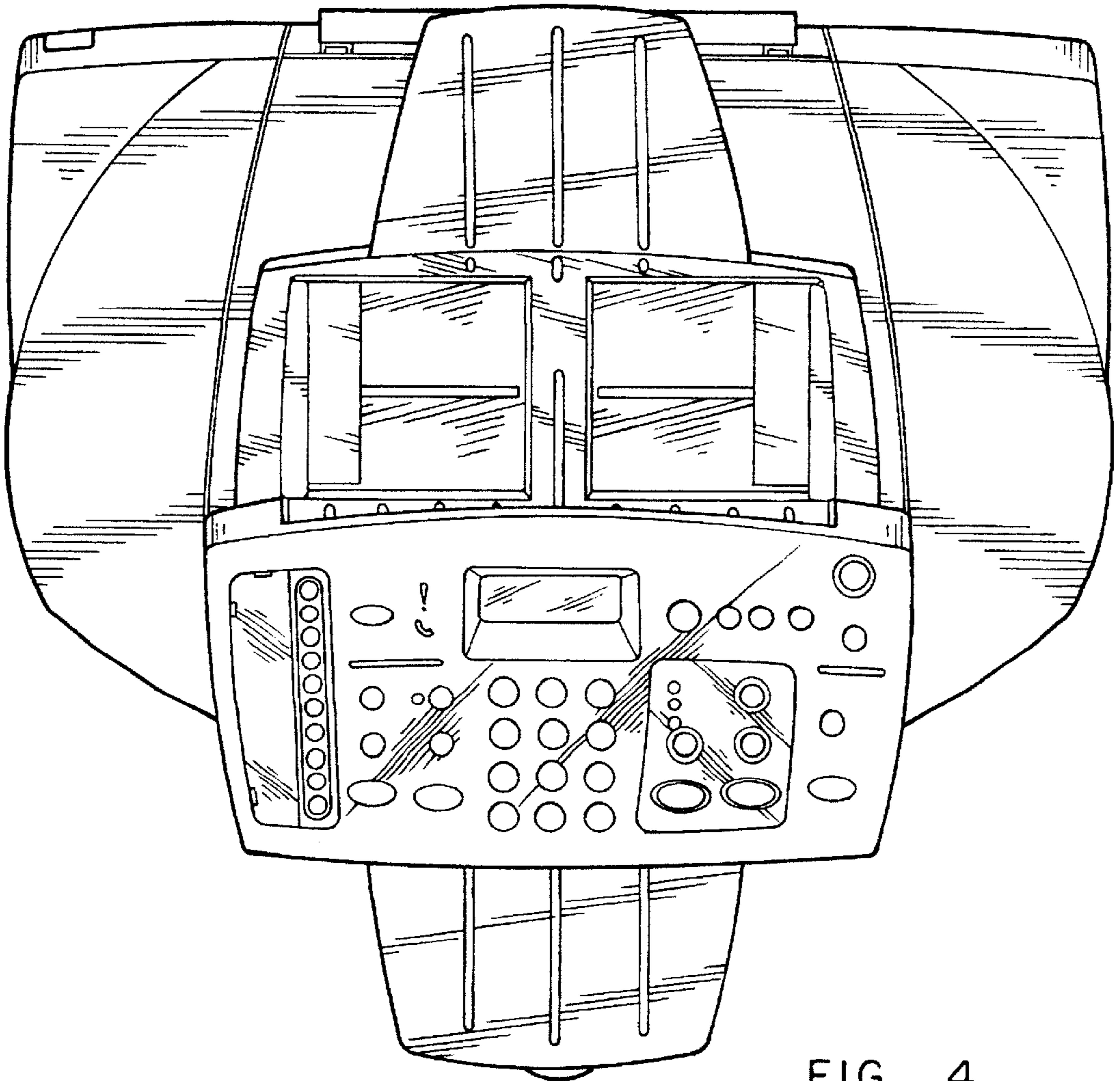


FIG. 4

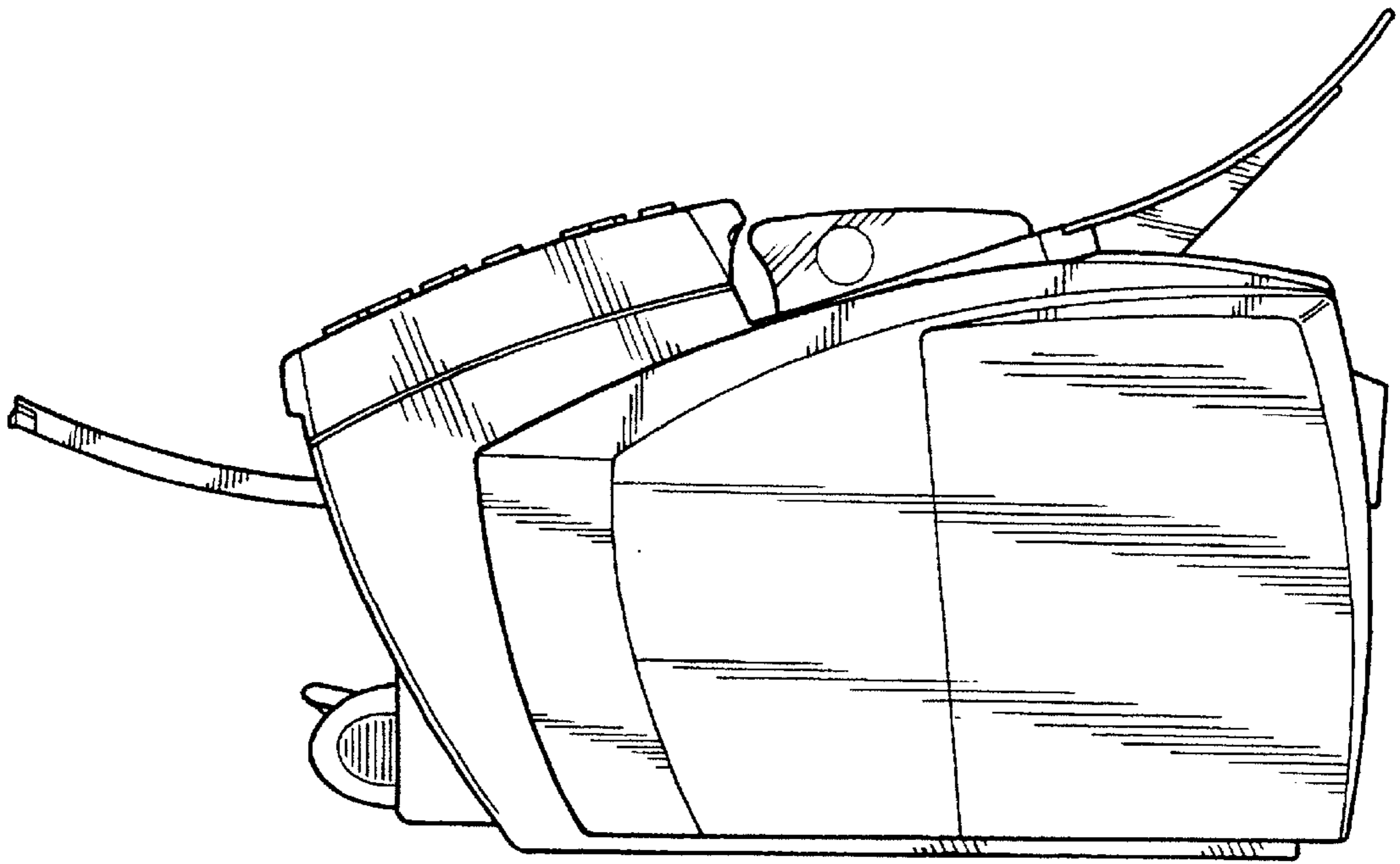


FIG. 5

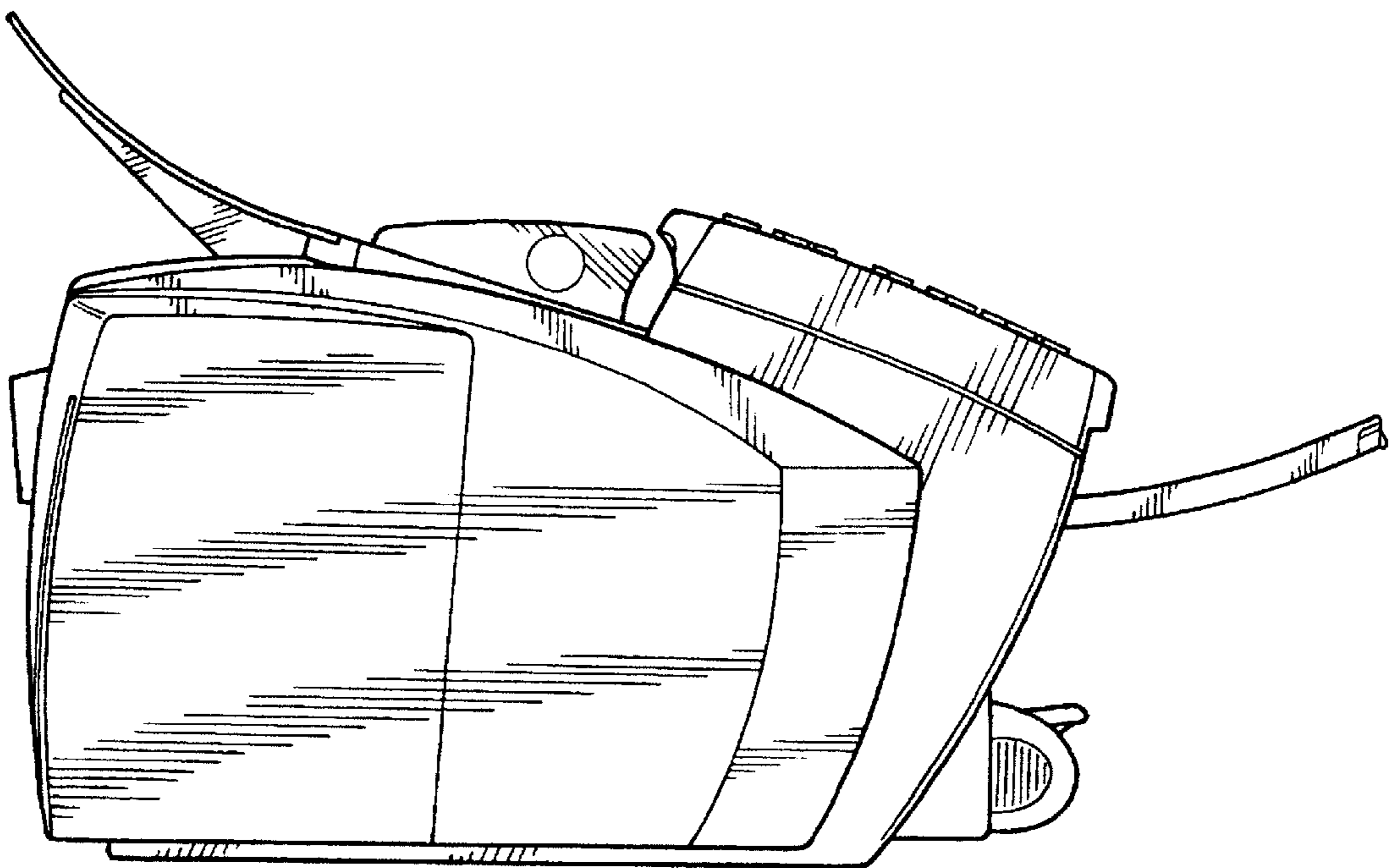


FIG. 6

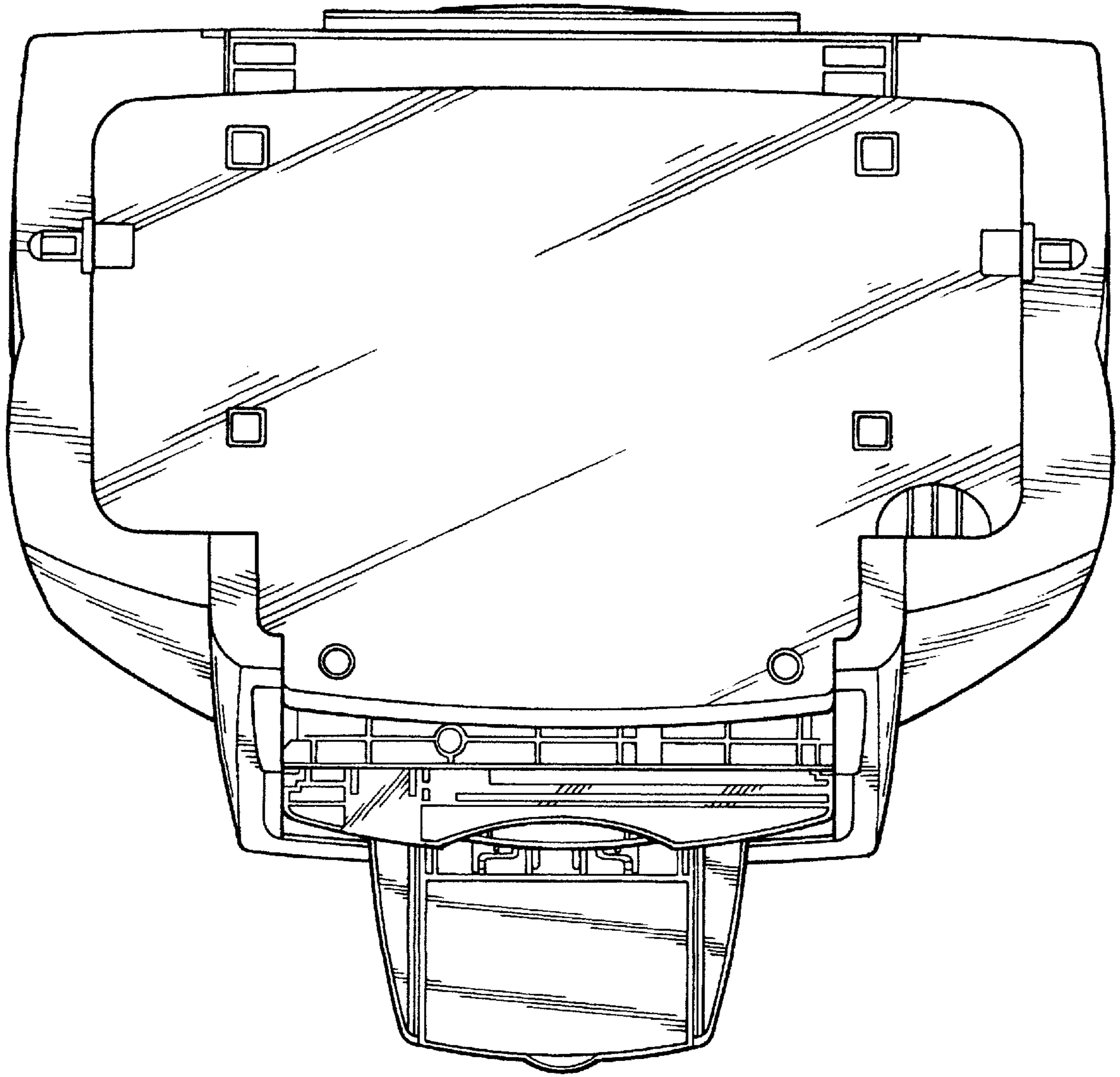


FIG. 7