



US00D442987S

(12) **United States Design Patent**
Ikenaga

(10) **Patent No.:** **US D442,987 S**

(45) **Date of Patent:** **** May 29, 2001**

(54) **VIDEO PRINTER**

(75) Inventor: **Takashi Ikenaga, Tokyo (JP)**

(73) Assignee: **Sony Corporation, Tokyo (JP)**

(**) Term: **14 Years**

(21) Appl. No.: **29/114,828**

(22) Filed: **Dec. 2, 1999**

(30) **Foreign Application Priority Data**

Jun. 2, 1999 (JP) 11-14232

(51) **LOC (7) Cl.** **18-02**

(52) **U.S. Cl.** **D18/50**

(58) **Field of Search** D18/50, 53-54,
D18/55-56, 36-39; 400/613, 613.1-613.4,
690.1-690.4, 691-694; D14/462

(56) **References Cited**

U.S. PATENT DOCUMENTS

- D. 318,871 * 8/1991 Takeda et al. D18/36
- D. 322,275 * 12/1991 Takeda et al. D18/50
- D. 334,022 * 3/1993 Byun D18/50
- D. 334,402 * 3/1993 Matsumoto et al. D18/50
- D. 340,716 * 10/1993 Ito et al. D18/50
- D. 358,414 * 5/1995 Takeda D18/50

- D. 362,673 * 9/1995 Yamamoto D18/19
- D. 375,981 * 11/1996 Takahata et al. D18/50
- D. 381,678 * 7/1997 Nakamura D18/50
- D. 405,107 * 2/1999 Yokokawa D18/50
- D. 418,157 * 12/1999 Han D18/50
- D. 425,547 * 5/2000 Ishiura D18/19
- D. 428,051 * 7/2000 Ikenaga D18/50
- 4,828,416 * 5/1989 Pensavecchia et al. 400/691
- 5,006,002 * 4/1991 Brodbeck 400/613.2

* cited by examiner

Primary Examiner—Cathy Anne MacCormac

(74) *Attorney, Agent, or Firm*—Rader, Fishman & Grauer

(57) **CLAIM**

The ornamental design for a video printer, as shown and described.

DESCRIPTION

FIG. 1 is a perspective view of a video printer showing my new design;

FIG. 2 is a top plan view thereof;

FIG. 3 is a bottom plan view thereof;

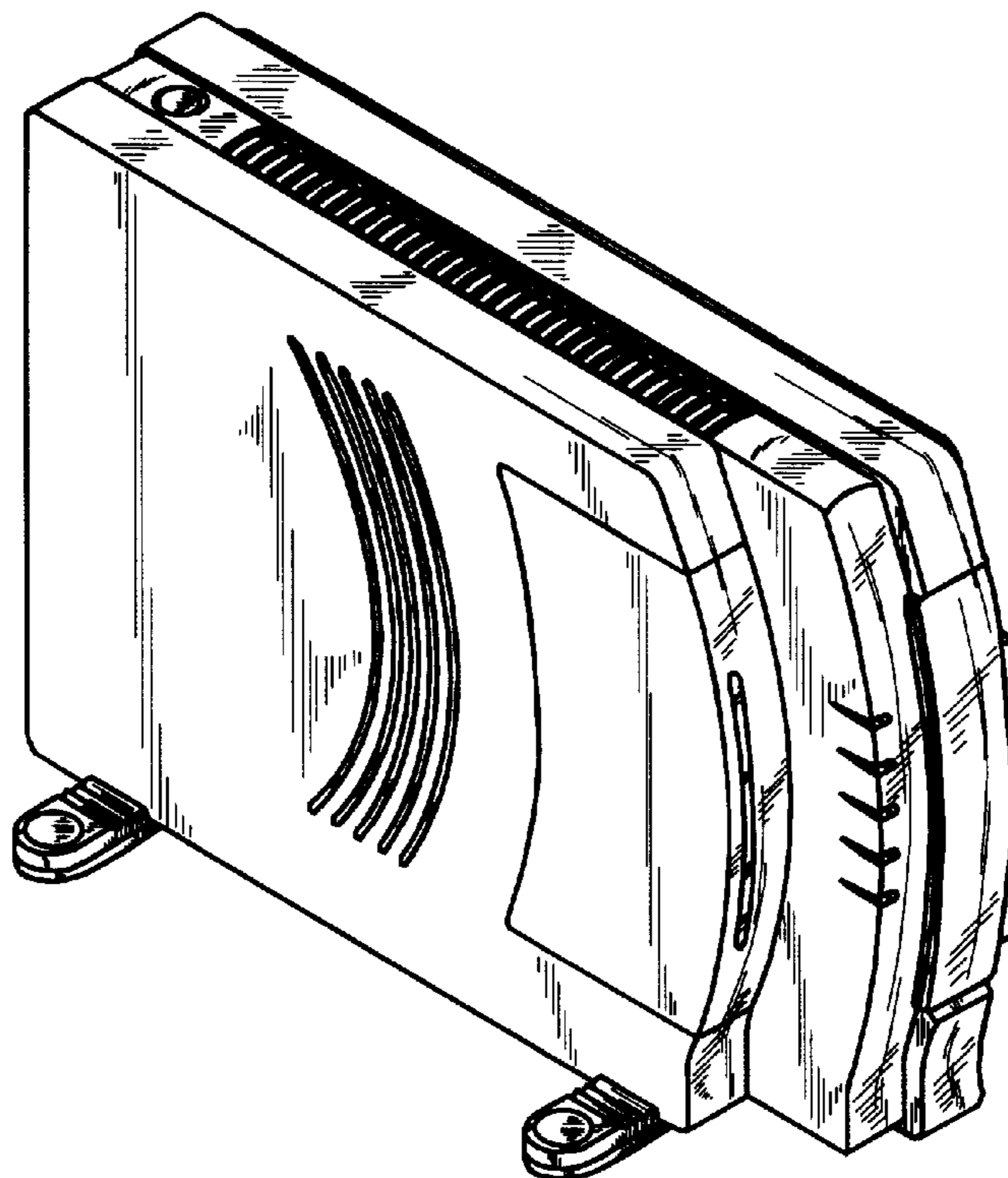
FIG. 4 is a left side elevational view thereof;

FIG. 5 is a right side elevational view thereof;

FIG. 6 is a front elevational view thereof; and,

FIG. 7 is a rear elevational view thereof.

1 Claim, 4 Drawing Sheets



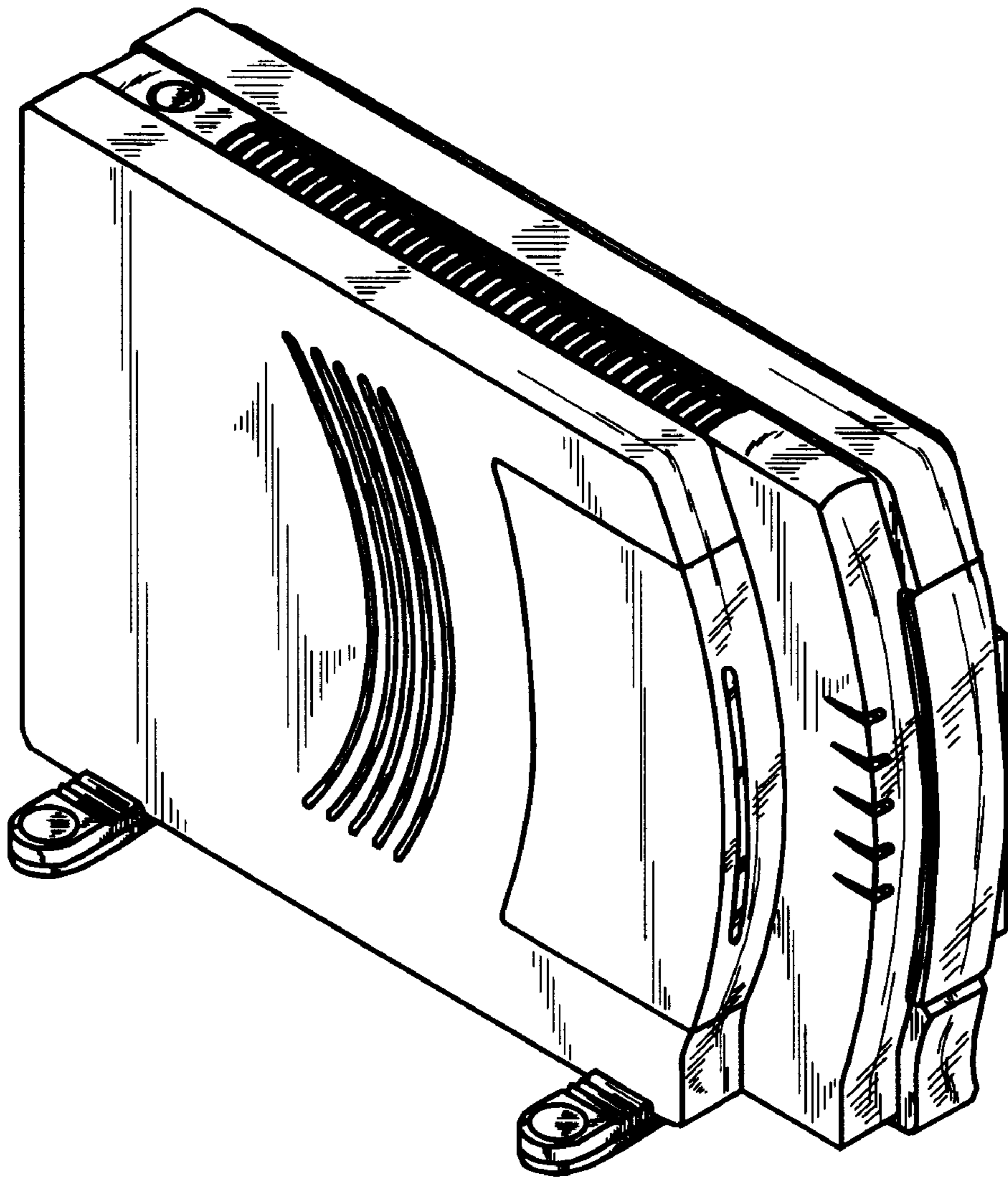


Fig. 1

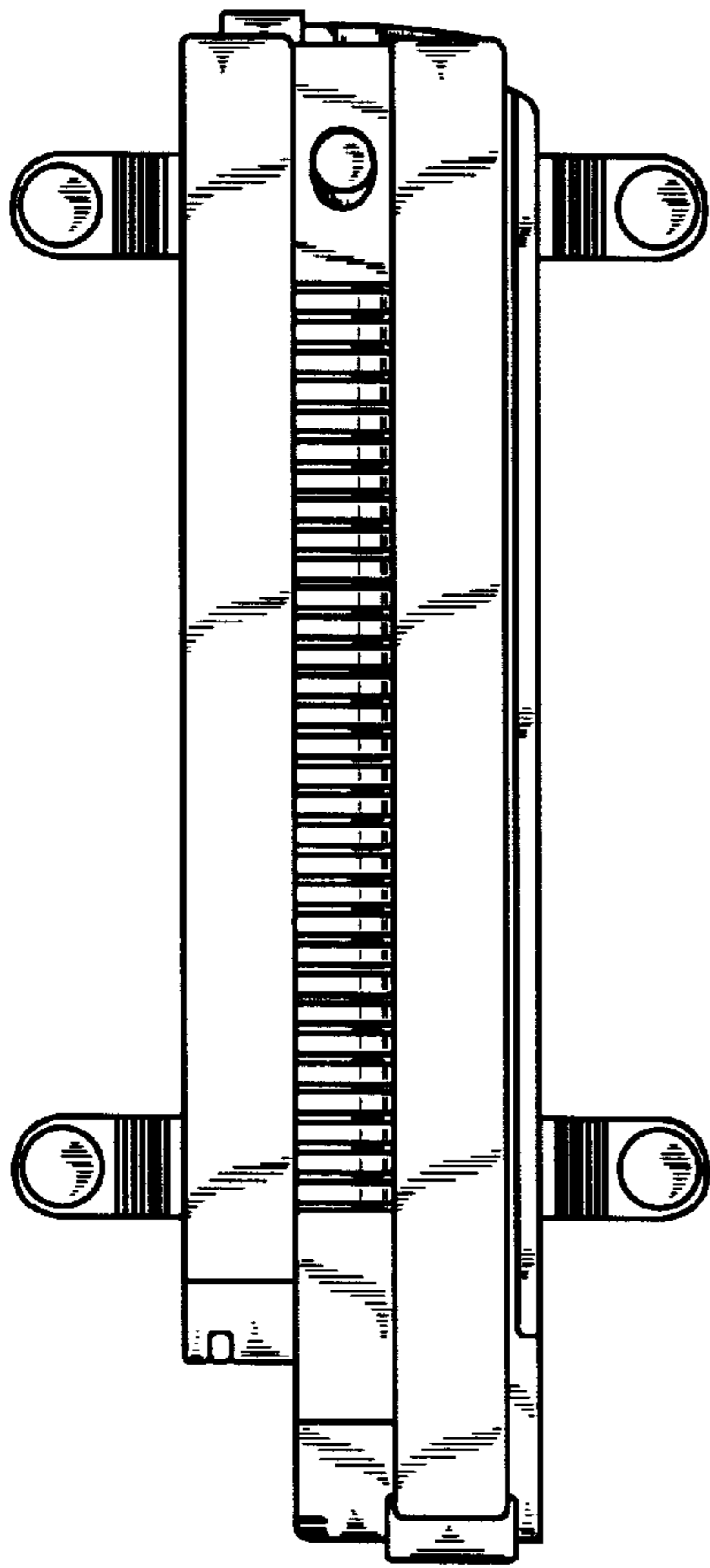


Fig. 2

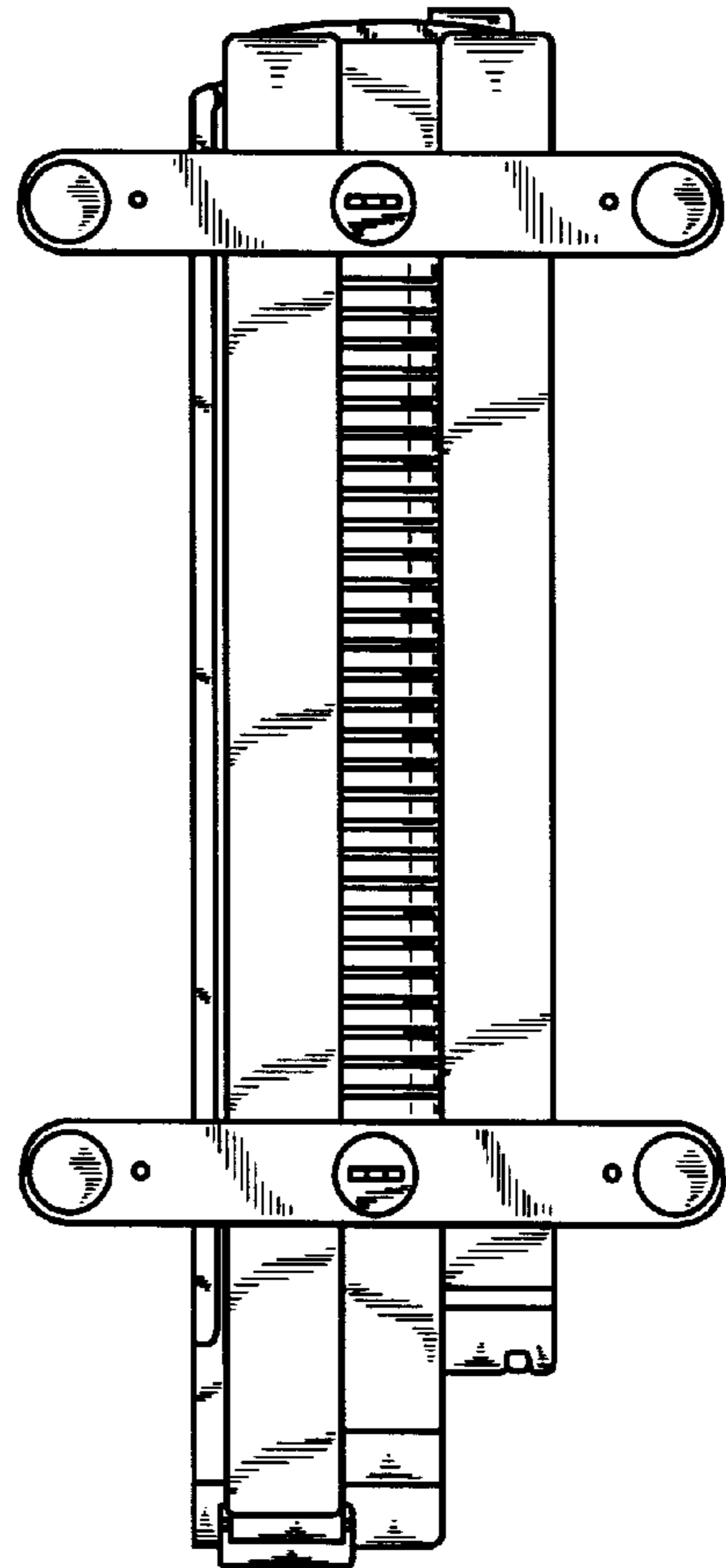


Fig. 3

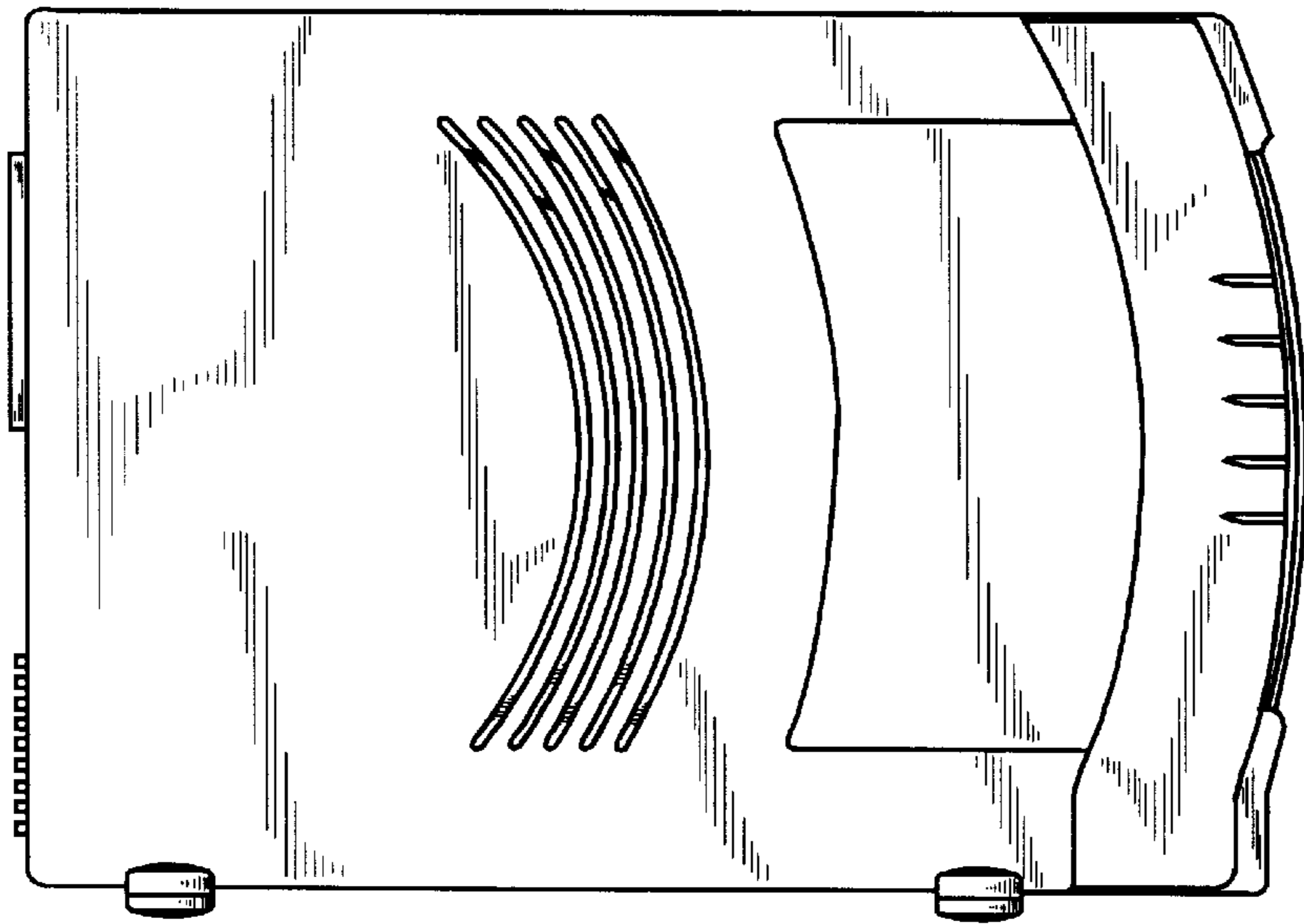


Fig. 4

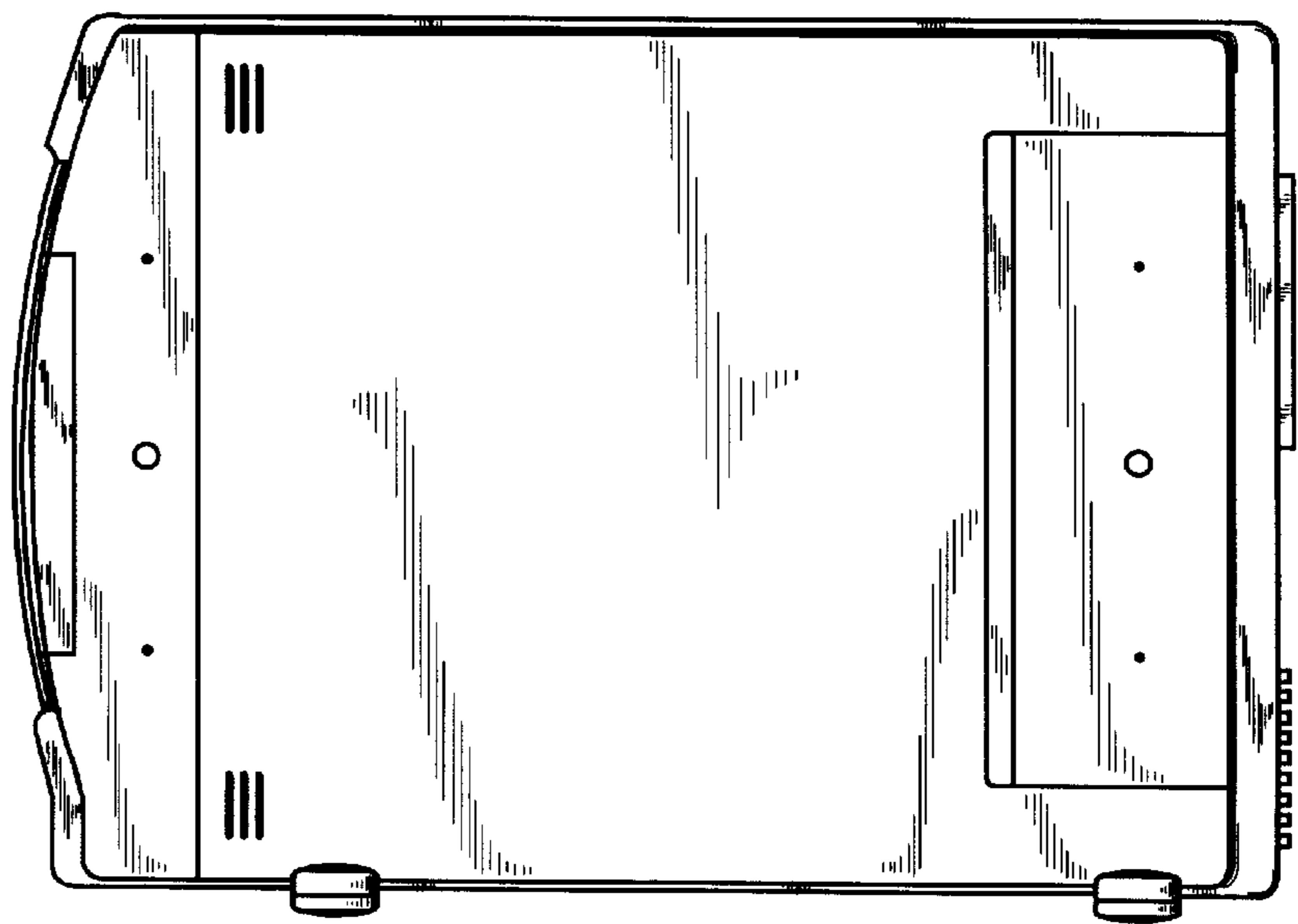


Fig. 5

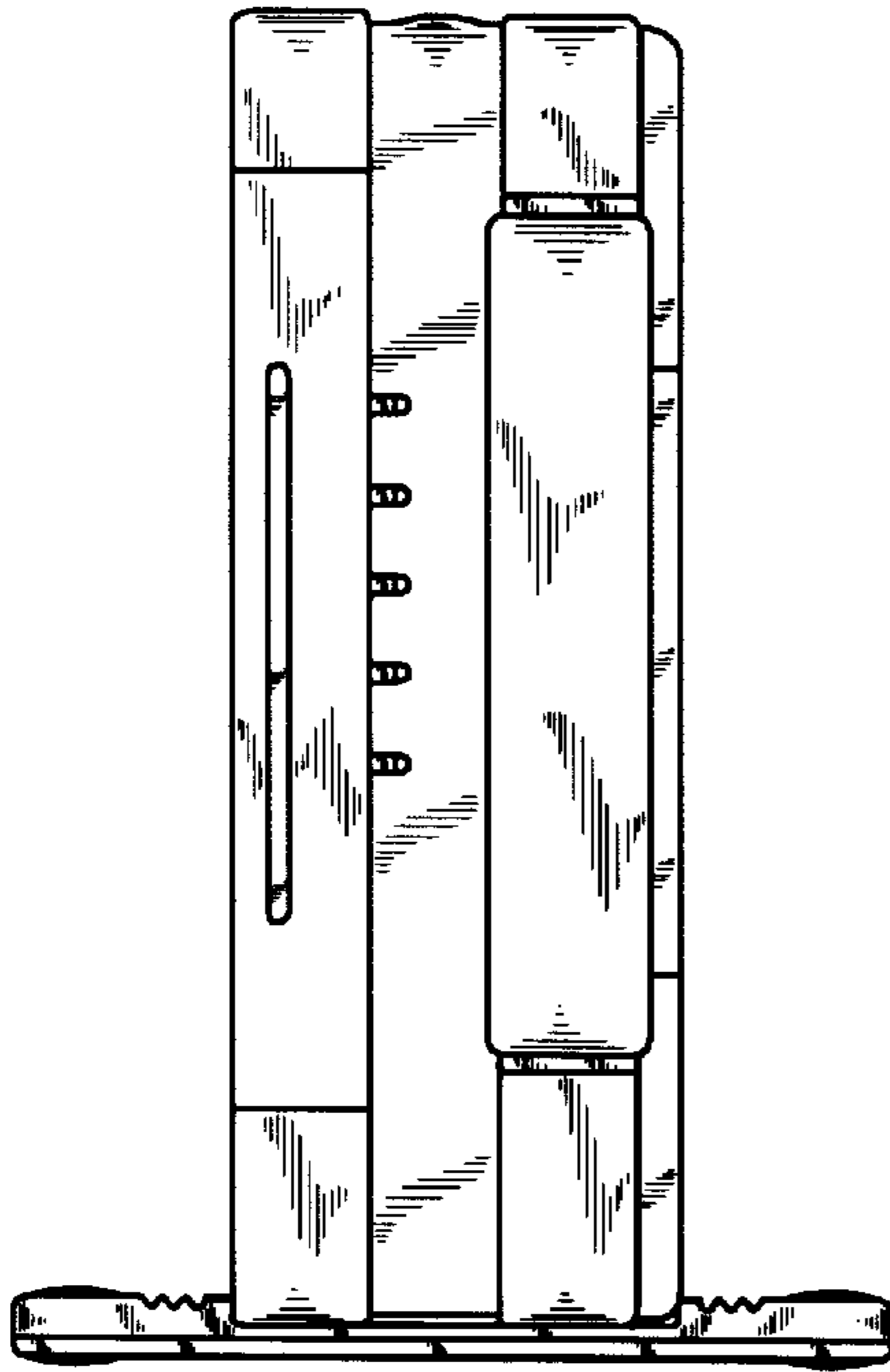


Fig. 6

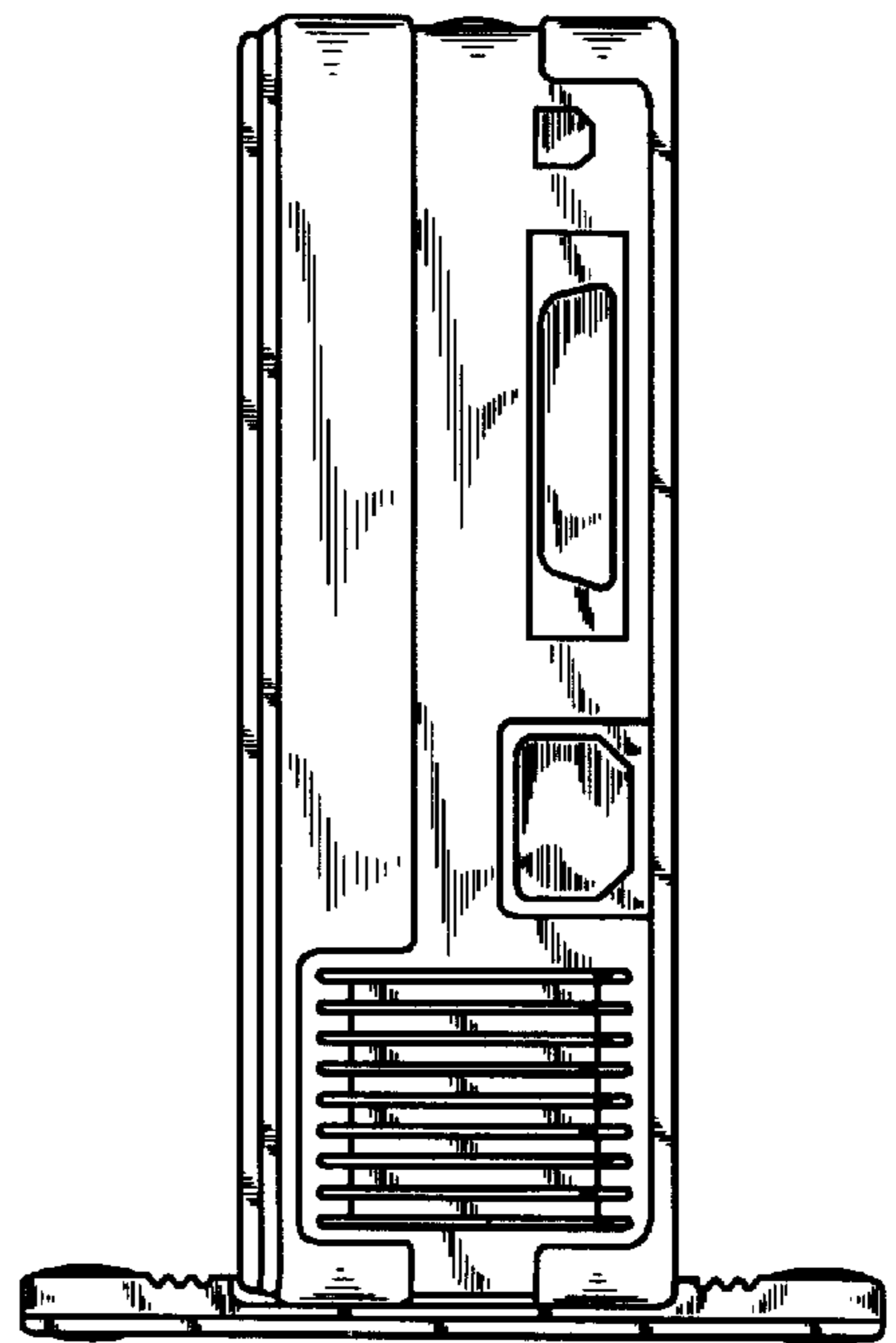


Fig. 7