



US00D442986S

(12) **United States Design Patent**
Tsuji et al.

(10) **Patent No.:** **US D442,986 S**

(45) **Date of Patent:** **** May 29, 2001**

(54) **TONER CARTRIDGE**

(75) Inventors: **Yasuaki Tsuji; Tatsuo Nakanishi**, both of Kanagawa; **Masahiro Yoshino**, Tokyo, all of (JP)

(73) Assignee: **Konica Corporation**, Tokyo (JP)

(**) Term: **14 Years**

(21) Appl. No.: **29/125,648**

(22) Filed: **Jun. 27, 2000**

(30) **Foreign Application Priority Data**

Dec. 27, 1999 (JP) 11-36188

(51) **LOC (7) Cl.** **16-03**

(52) **U.S. Cl.** **D18/43**

(58) **Field of Search** D18/36, 40, 43,
D18/56; 399/24, 25, 27, 28, 61, 99, 106,
111, 262

(56) **References Cited**

U.S. PATENT DOCUMENTS

D. 356,597 * 3/1995 Gray D18/56

D. 403,348 * 12/1998 Matsuoka et al. D18/43
D. 430,197 * 8/2000 Wang et al. D18/43
D. 431,595 * 10/2000 Wang et al. D18/43
5,909,610 * 6/1999 Yoshiki et al. 399/262
6,134,411 * 10/2000 Meyer et al. 399/262
6,137,978 * 10/2000 Tsuchiya et al. 399/258

* cited by examiner

Primary Examiner—Caron D. Veynar

(74) *Attorney, Agent, or Firm*—Frishauf, Holtz, Goodman, Langer & Chick, P.C.

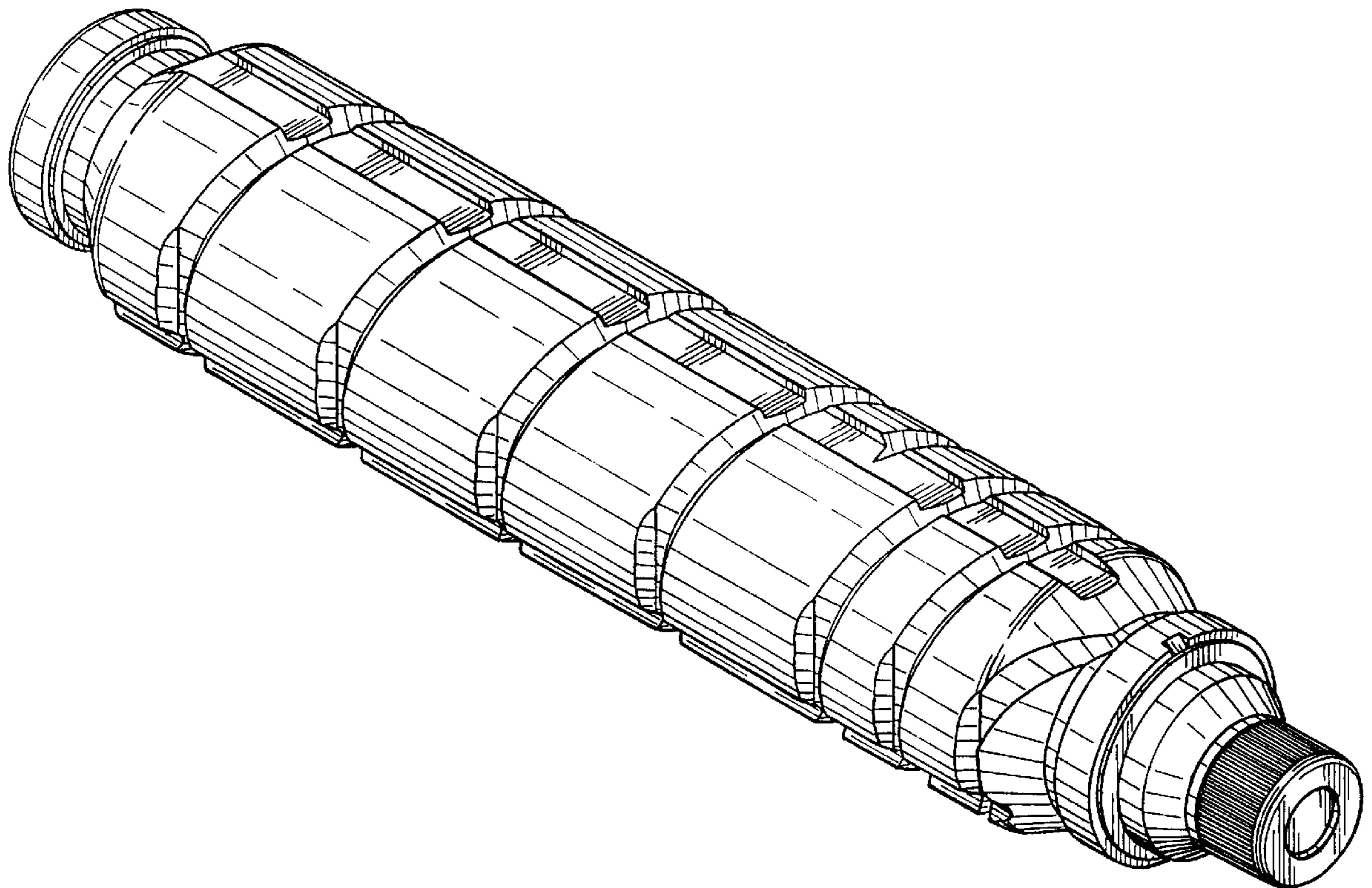
(57) **CLAIM**

The ornamental design for a toner cartridge, as shown.

DESCRIPTION

FIG. 1 is a front elevational view of a toner cartridge, showing our new design;
FIG. 2 is a rear elevational view thereof;
FIG. 3 is a top plan view thereof;
FIG. 4 is a bottom plan view thereof;
FIG. 5 is a left side top perspective view thereof;
FIG. 6 is a right-side, top perspective view thereof; and,
FIG. 7 is a perspective view thereof.

1 Claim, 3 Drawing Sheets



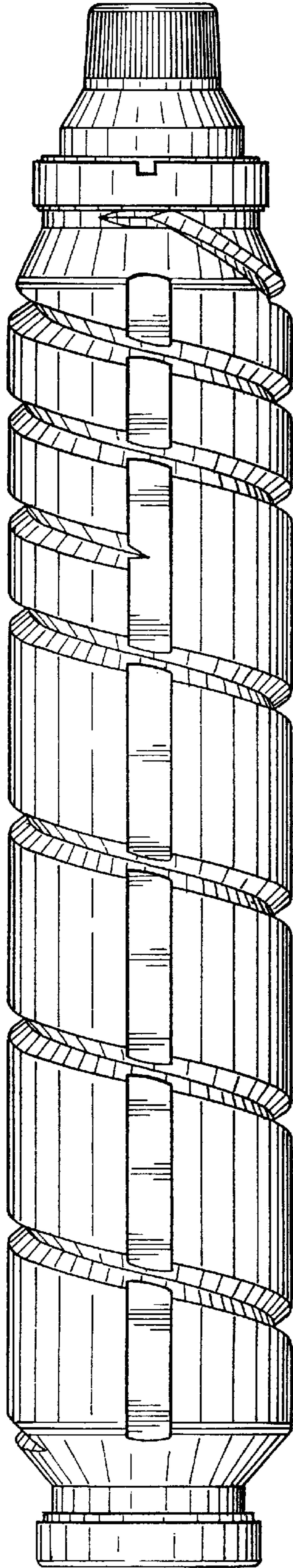


Fig. 1

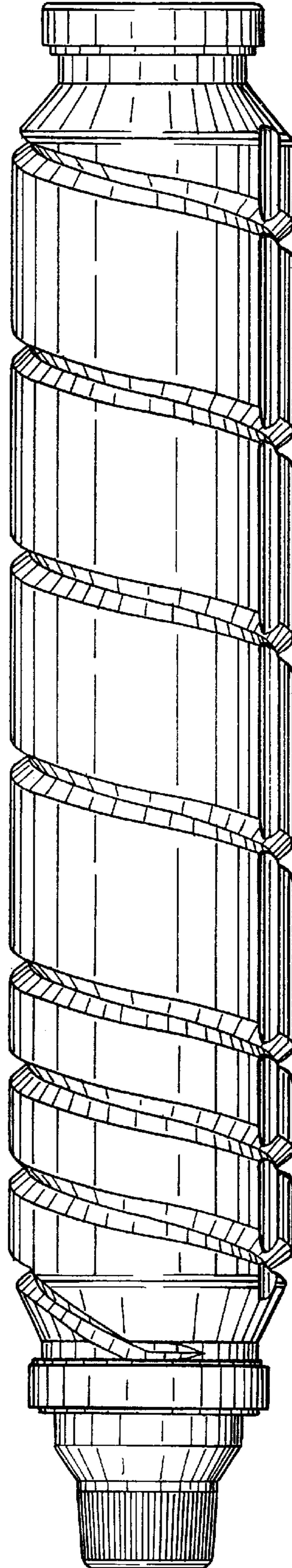


Fig. 2

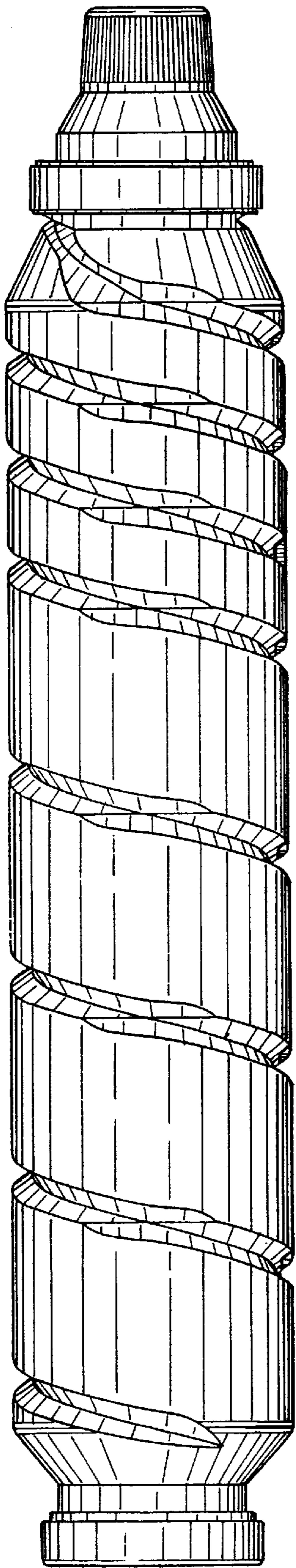


Fig. 3

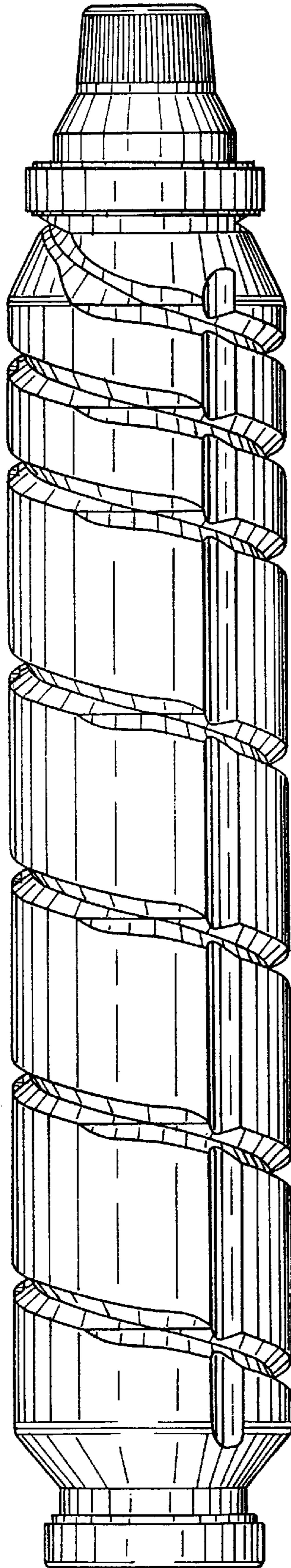


Fig. 4

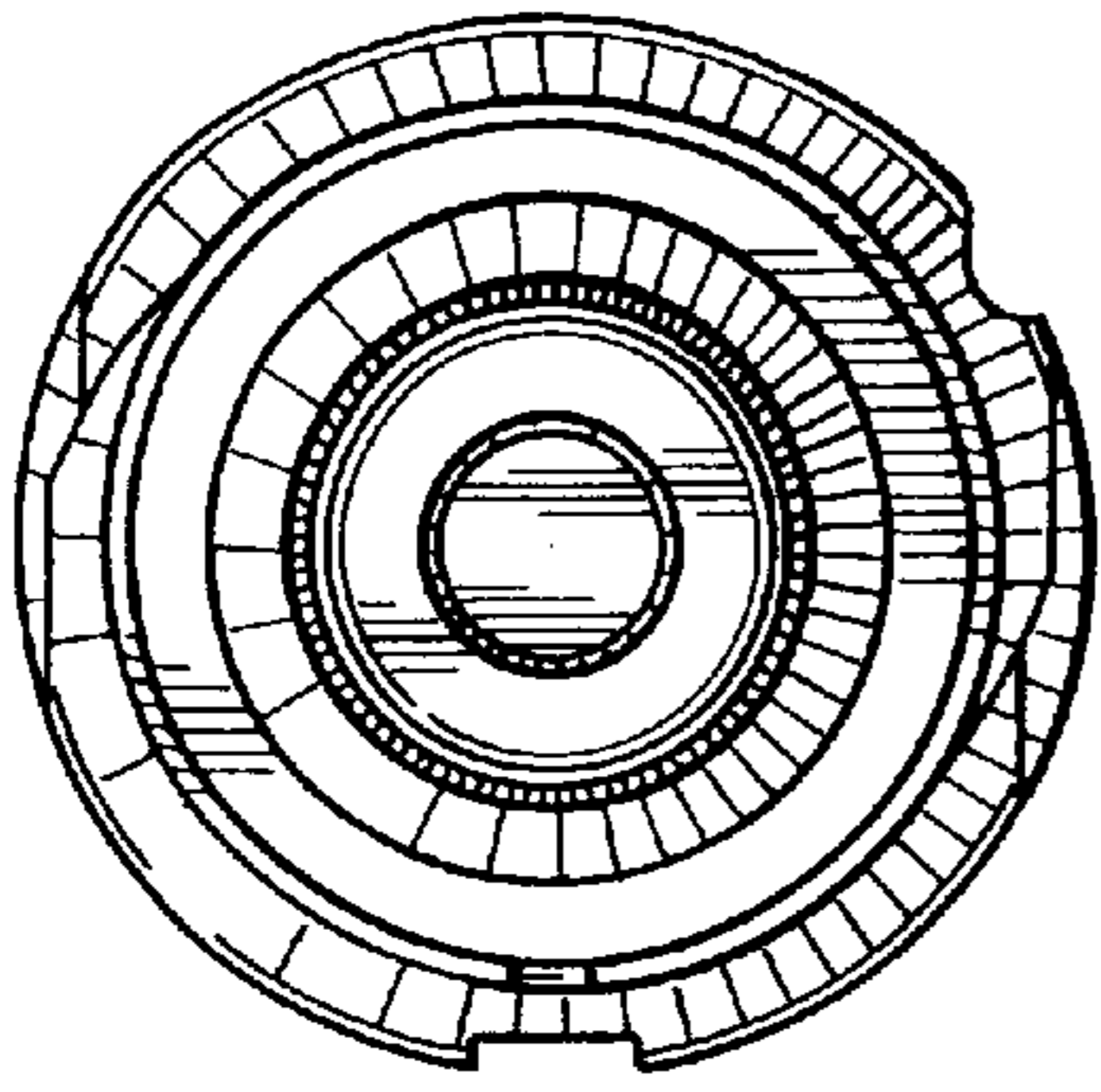


Fig. 6

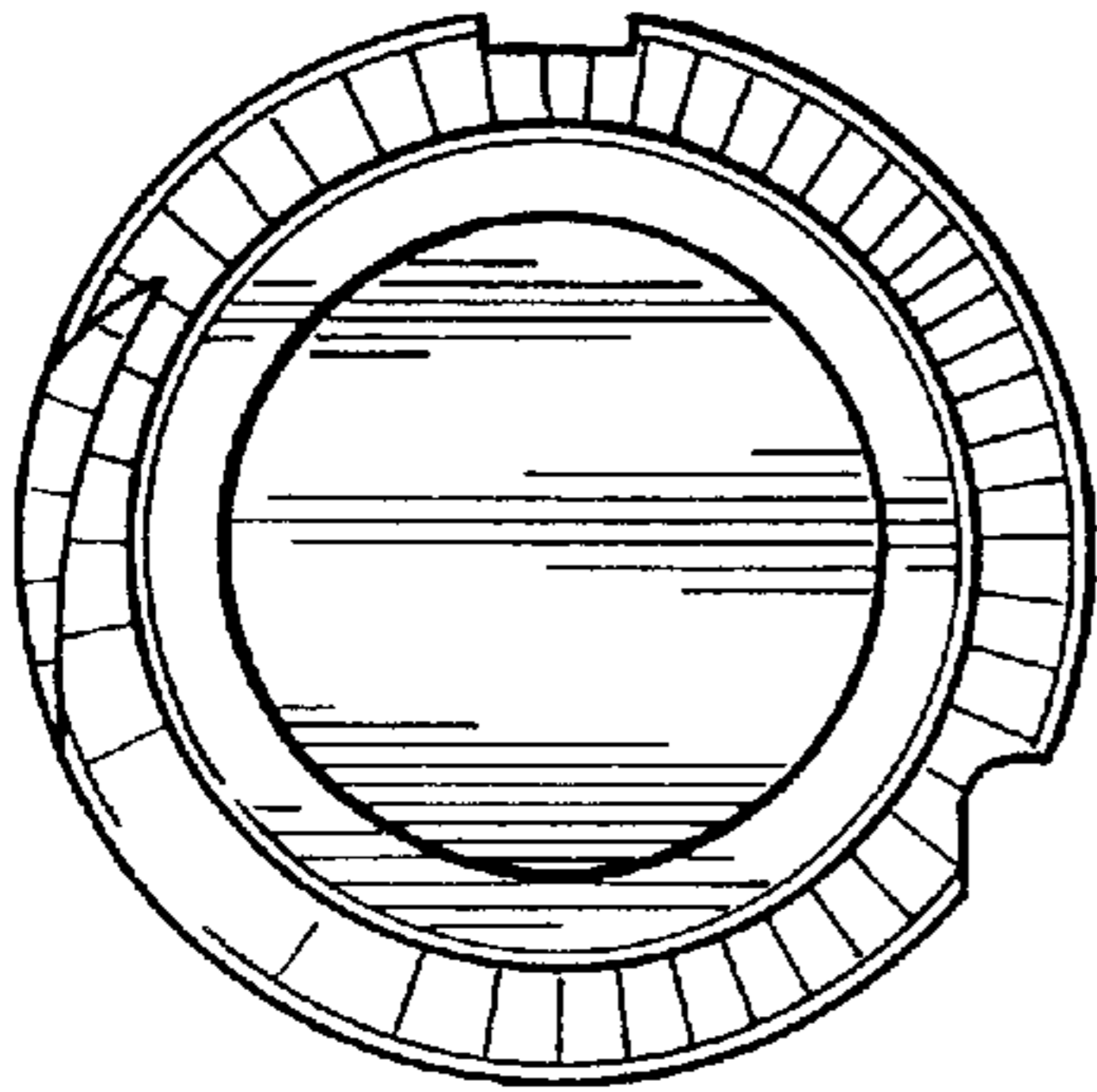


Fig. 5

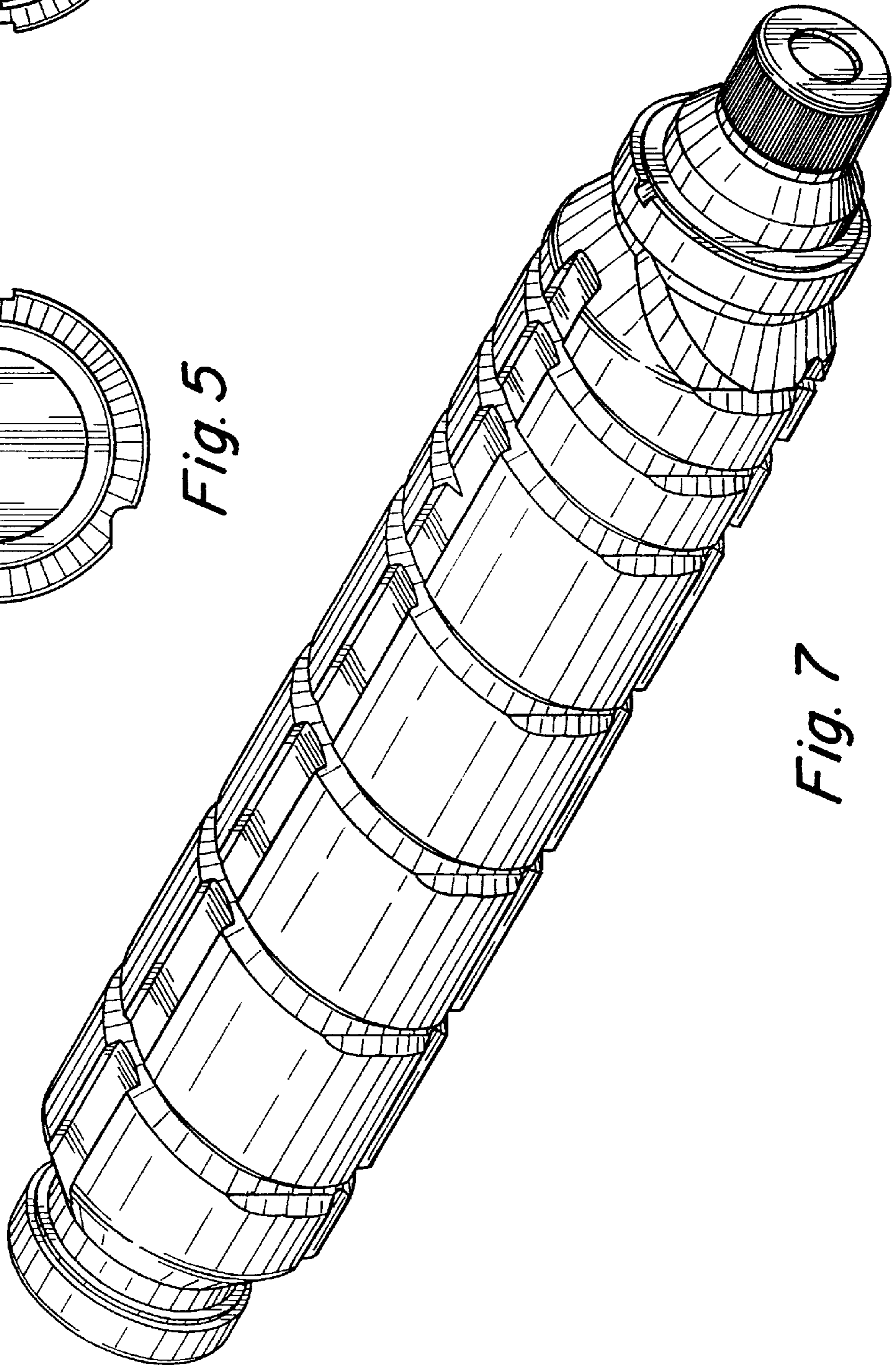


Fig. 7