



US00D442985S

(12) **United States Design Patent**  
**Liao**

(10) **Patent No.:** **US D442,985 S**

(45) **Date of Patent:** **\*\* May 29, 2001**

(54) **MUSICAL WOODEN DRUM**

4,168,064 \* 9/1979 Petrovic ..... 84/420

(76) Inventor: **Tsun-Chi Liao**, No. 14, Chin-Kung Rd., Pei-Tun Dist., Taichung City (TW)

\* cited by examiner

(\*\*) Term: **14 Years**

*Primary Examiner*—Adir Aronovich

(74) *Attorney, Agent, or Firm*—Bacon & Thomas, PLLC

(21) Appl. No.: **29/127,540**

(57) **CLAIM**

(22) Filed: **Aug. 9, 2000**

The ornamental design for a musical wooden drum, as shown and described.

(51) **LOC (7) Cl.** ..... **17-04**

**DESCRIPTION**

(52) **U.S. Cl.** ..... **D17/22**

(58) **Field of Search** ..... D17/22, 99; D21/405; 84/402, 411 R, 411 P, 415, 416, 420, 422.1

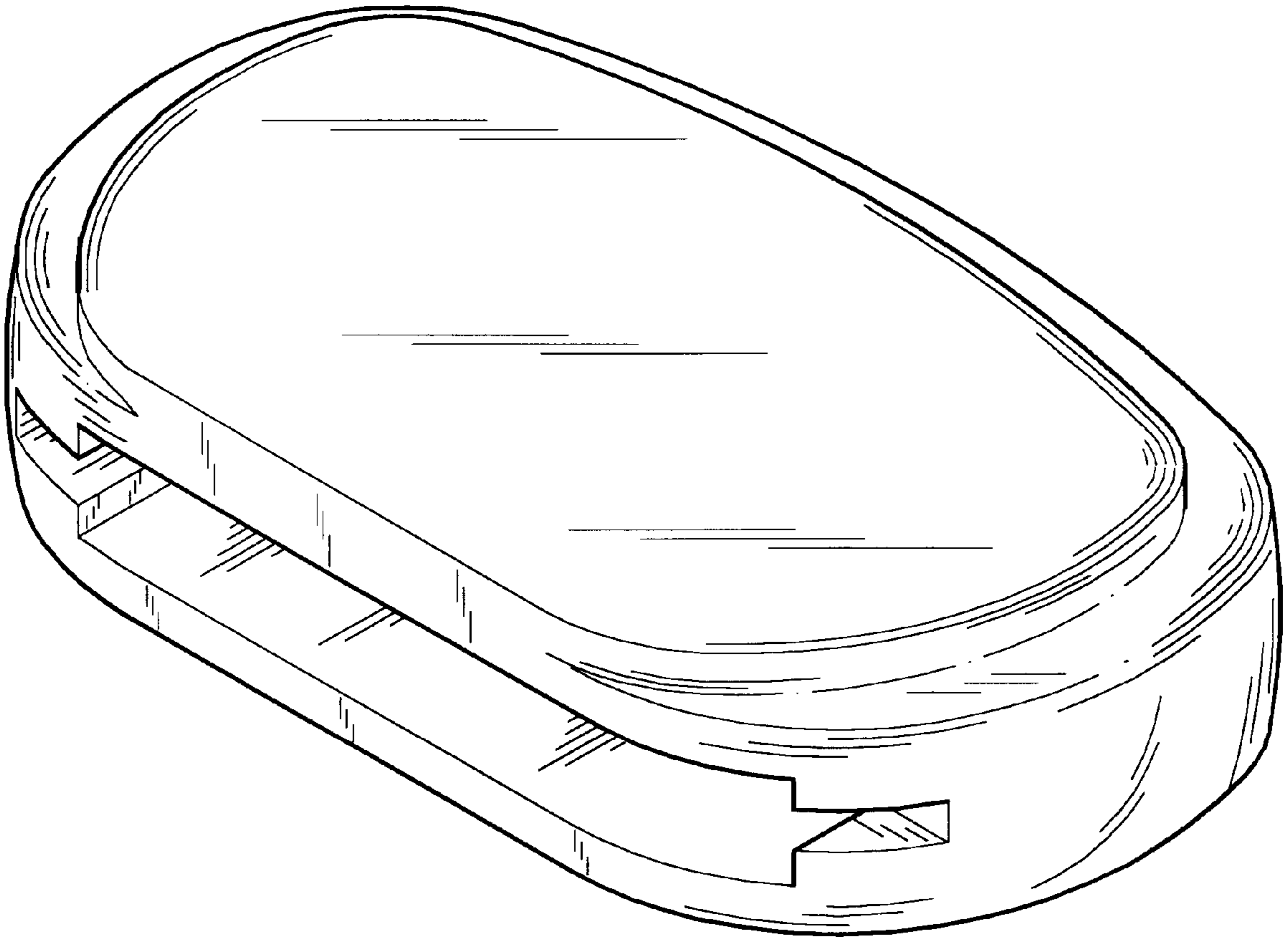
FIG. 1 is a perspective view of musical wooden drum showing our new design thereof;  
FIG. 2 is a front elevational view thereof;  
FIG. 3 is a rear elevational view thereof;  
FIG. 4 is a left side elevational view thereof;  
FIG. 5 is a right side elevational view thereof;  
FIG. 6 is a top plan view thereof; and,  
FIG. 7 is a bottom plan view thereof.

(56) **References Cited**

**U.S. PATENT DOCUMENTS**

D. 298,951	*	12/1988	Benson et al.	.....	D17/22
D. 321,528	*	11/1991	Cohen et al.	.....	D17/22
2,287,183	*	6/1942	Lively	.....	84/411 R
3,186,290	*	6/1965	Gould et al.	.....	84/411 R

**1 Claim, 7 Drawing Sheets**



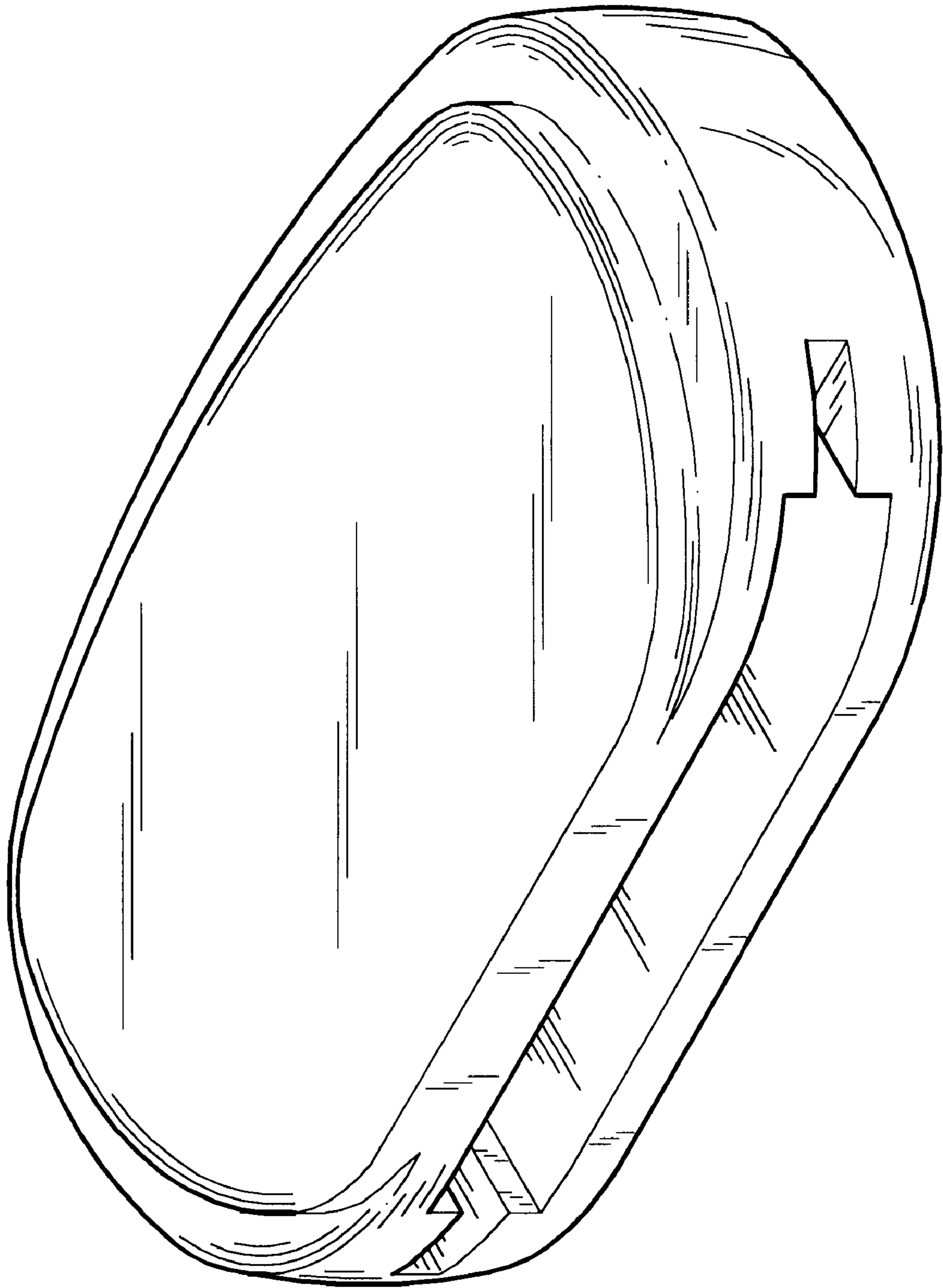


FIG. 1

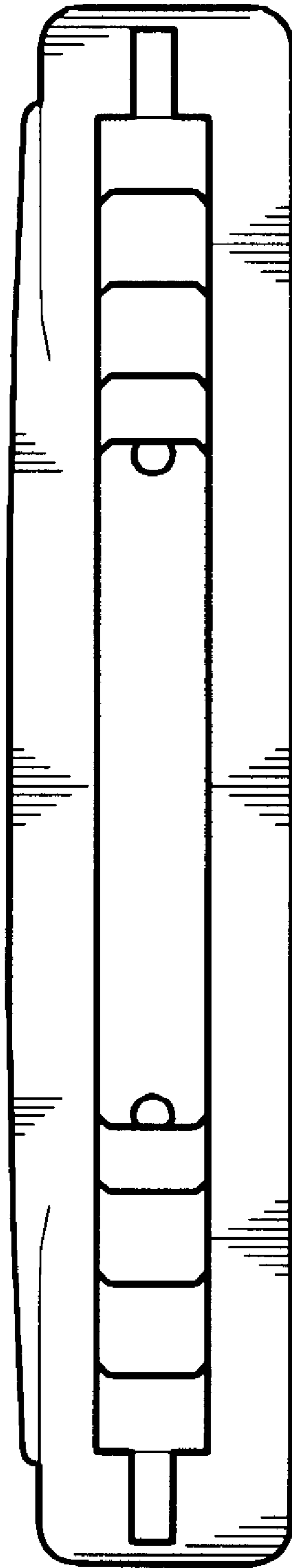


FIG. 2

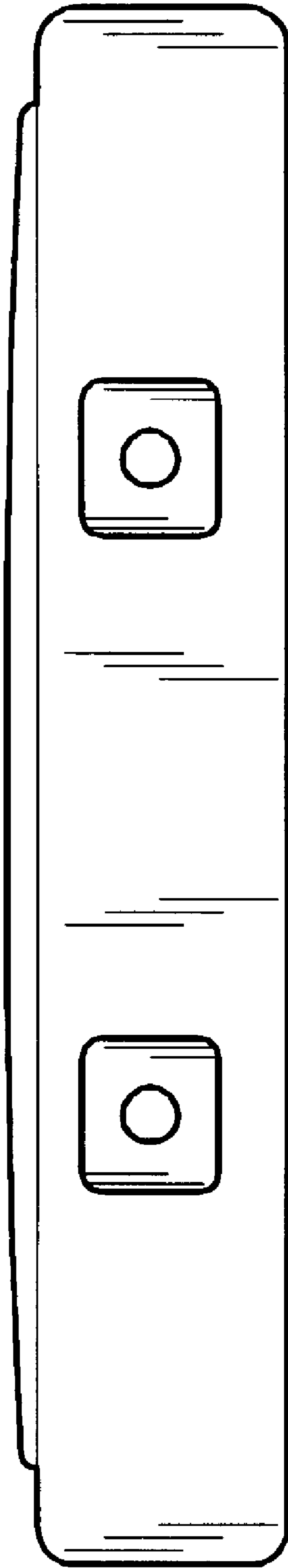


FIG. 3

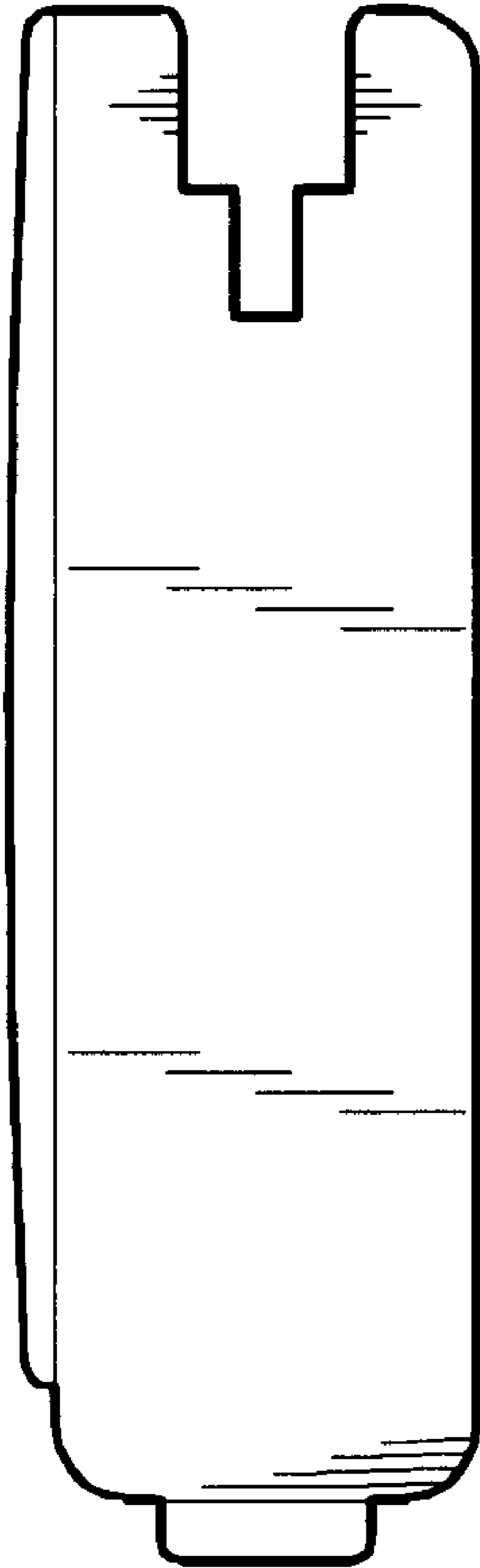


FIG. 4

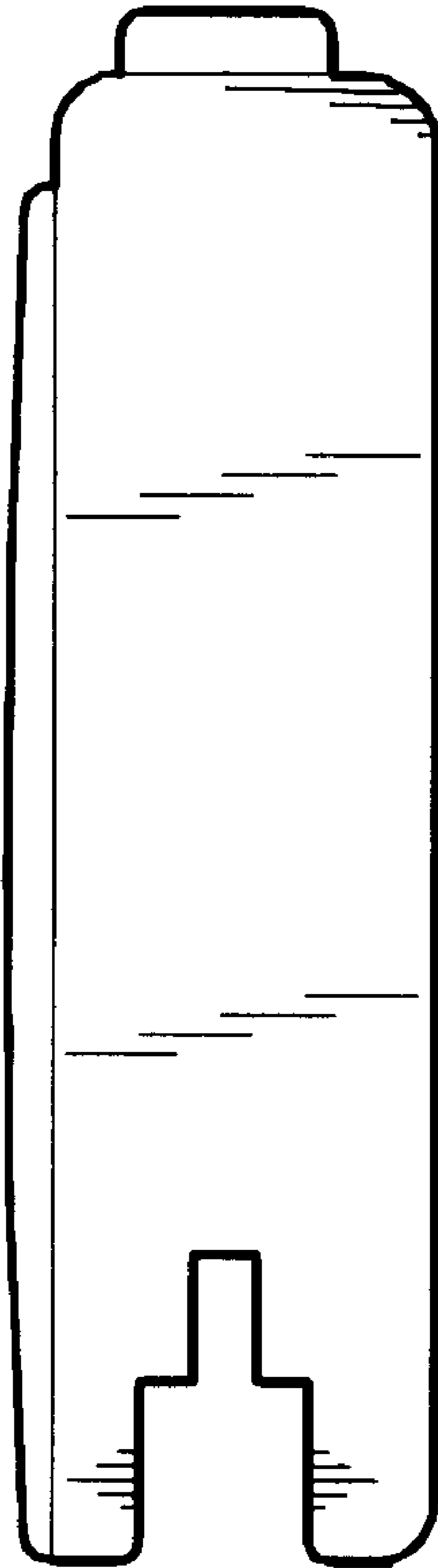


FIG. 5

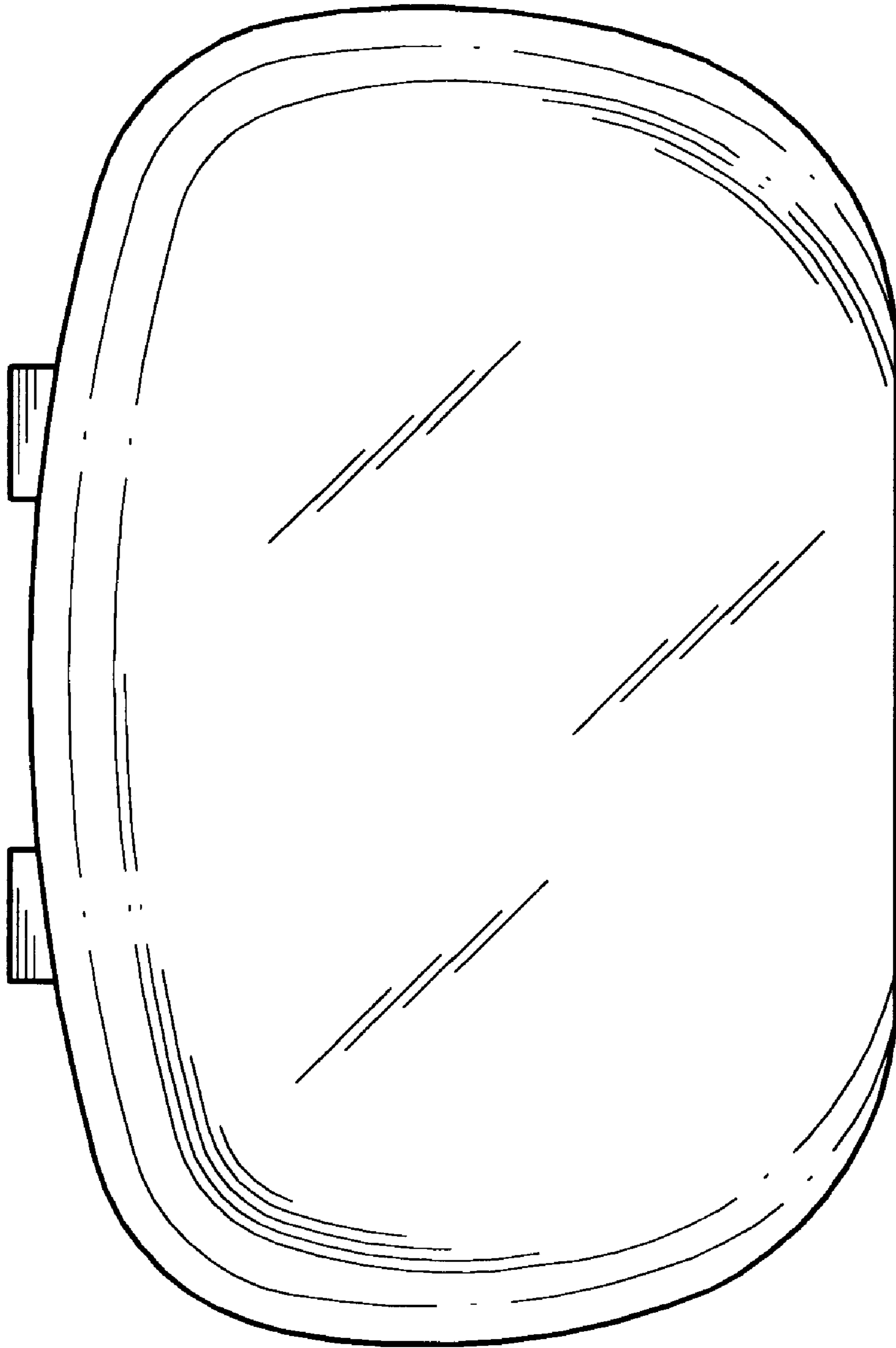


FIG. 6

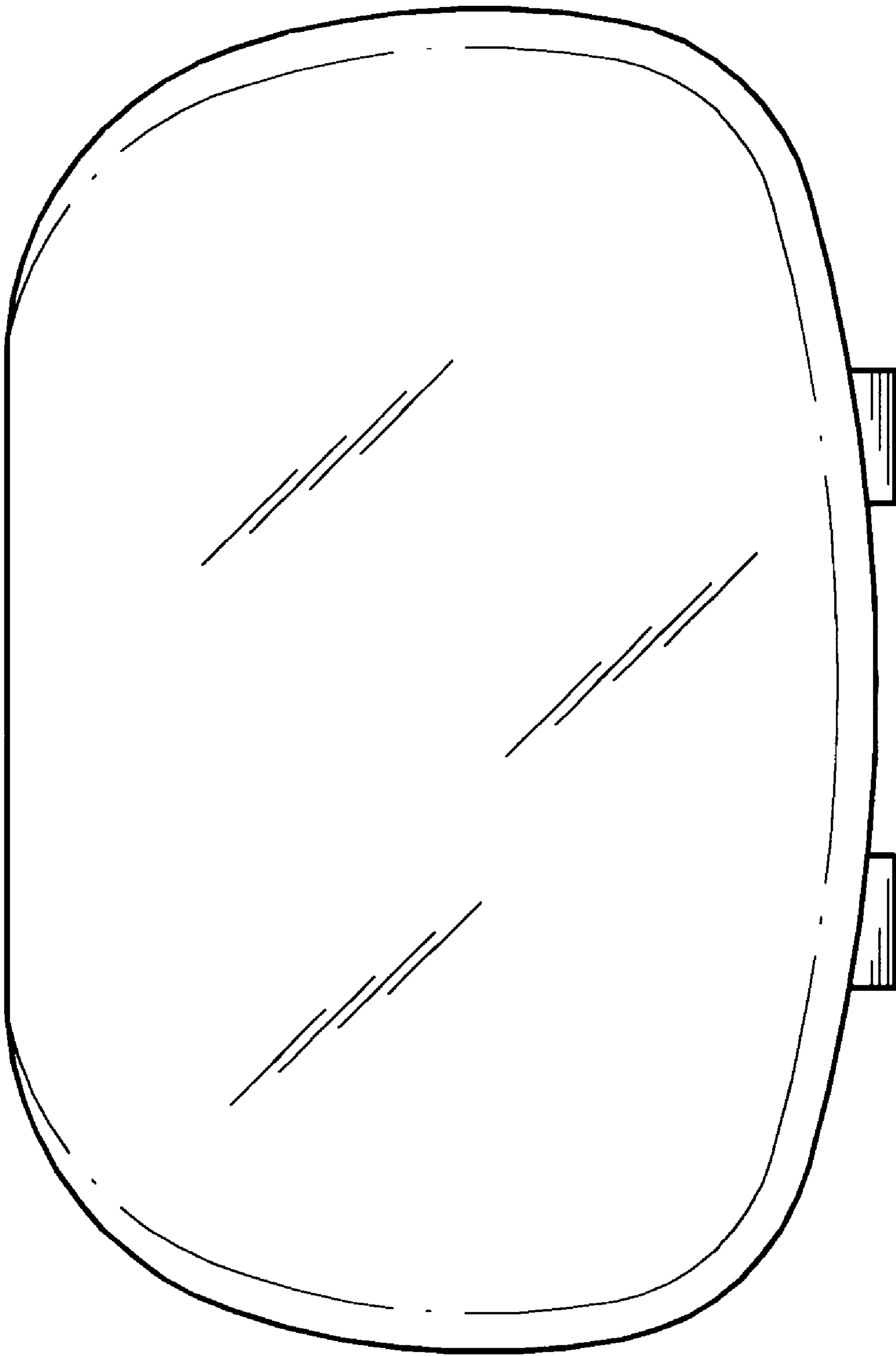


FIG. 7