



US00D442981S

(12) **United States Design Patent**  
**Kauzlarich et al.**

(10) **Patent No.:** **US D442,981 S**

(45) **Date of Patent:** **\*\* May 29, 2001**

(54) **AEROSOL ACTUATION UNIT**

(75) Inventors: **John Kauzlarich**, Darien; **Brian Phillips**, Crest Hill; **A. J. Voth**, St. Charles, all of IL (US)

(73) Assignee: **Steiner Company, Inc.**, Chicago, IL (US)

(\*\*) Term: **14 Years**

(21) Appl. No.: **29/120,322**

(22) Filed: **Mar. 17, 2000**

(51) **LOC (7) Cl.** ..... **15-99**

(52) **U.S. Cl.** ..... **D15/199**

(58) **Field of Search** ..... D15/199; 222/82,  
222/83, 153.06, 646, 645, 649; 239/69;  
137/78

(56) **References Cited**

**U.S. PATENT DOCUMENTS**

5,813,570 \* 9/1998 Fuchs et al. .... 222/82  
6,039,212 \* 3/2000 Singh ..... 222/54 X

\* cited by examiner

*Primary Examiner*—Antoine Duval Davis

(74) *Attorney, Agent, or Firm*—Emrich & Dithmar

(57) **CLAIM**

The ornamental design for a aerosol actuation unit, as shown and described.

**DESCRIPTION**

FIG. 1 is a perspective view of the aerosol actuation unit embodying our new design;

FIG. 2 is a front view of the aerosol actuation unit illustrated in FIG. 1;

FIG. 3 is a right side view of the aerosol actuation unit illustrated in FIG. 1;

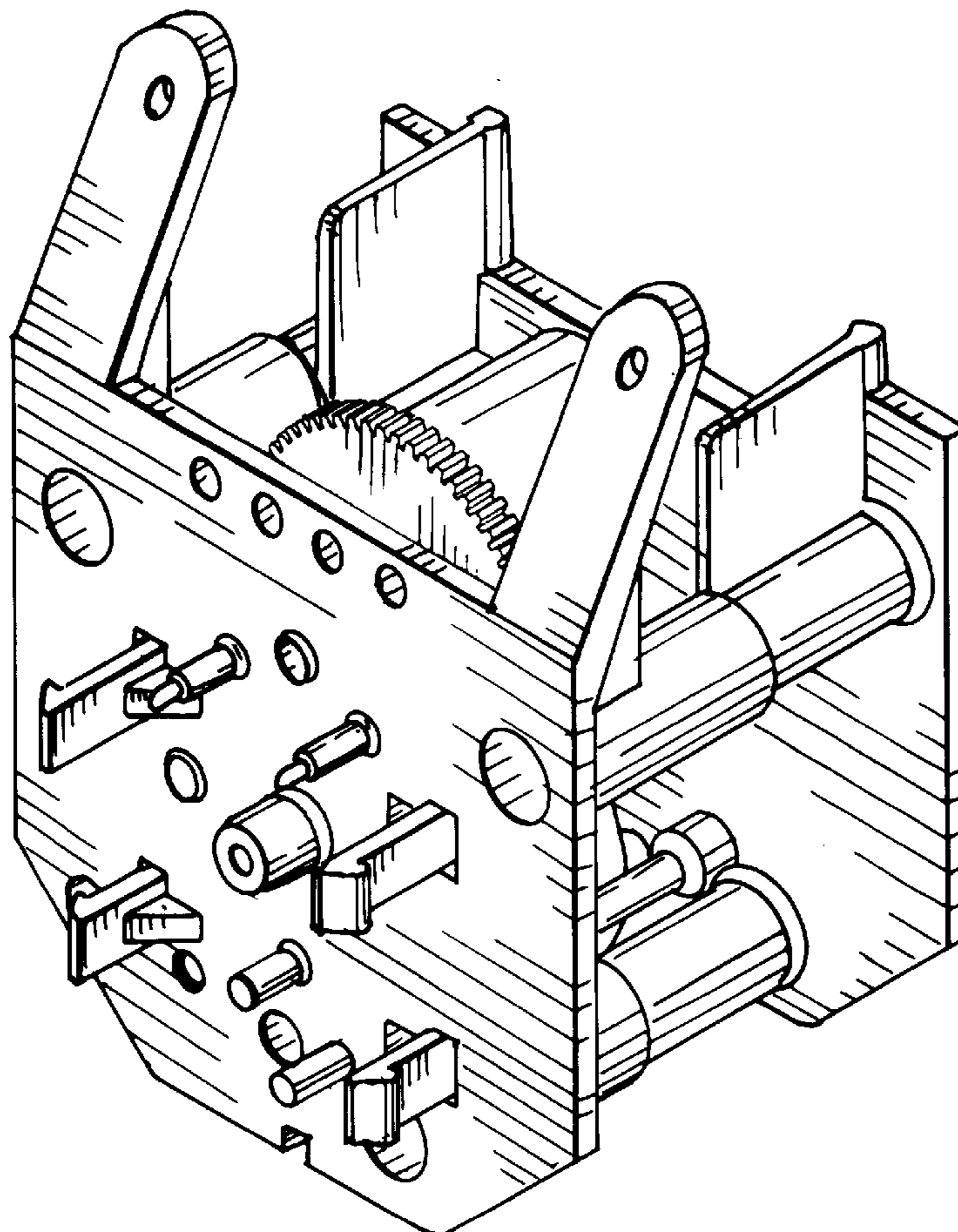
FIG. 4 is a rear view of the aerosol actuation unit illustrated in FIG. 1;

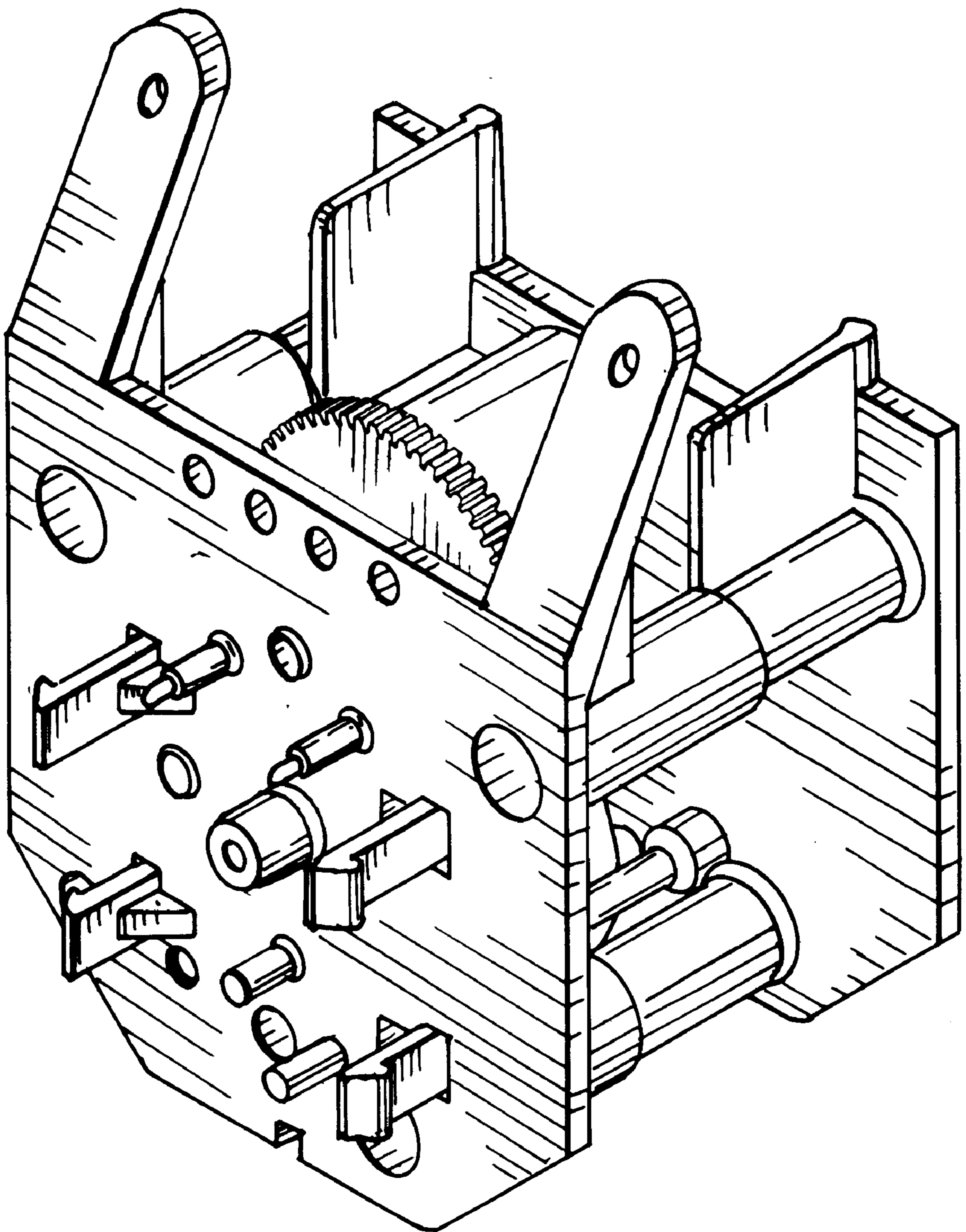
FIG. 5 is a left side view of the aerosol actuation unit illustrated in FIG. 1;

FIG. 6 is a top view of the aerosol actuation unit illustrated in FIG. 1; and,

FIG. 7 is a bottom view of the aerosol actuation unit illustrated in FIG. 1.

**1 Claim, 4 Drawing Sheets**





**FIG. 1**

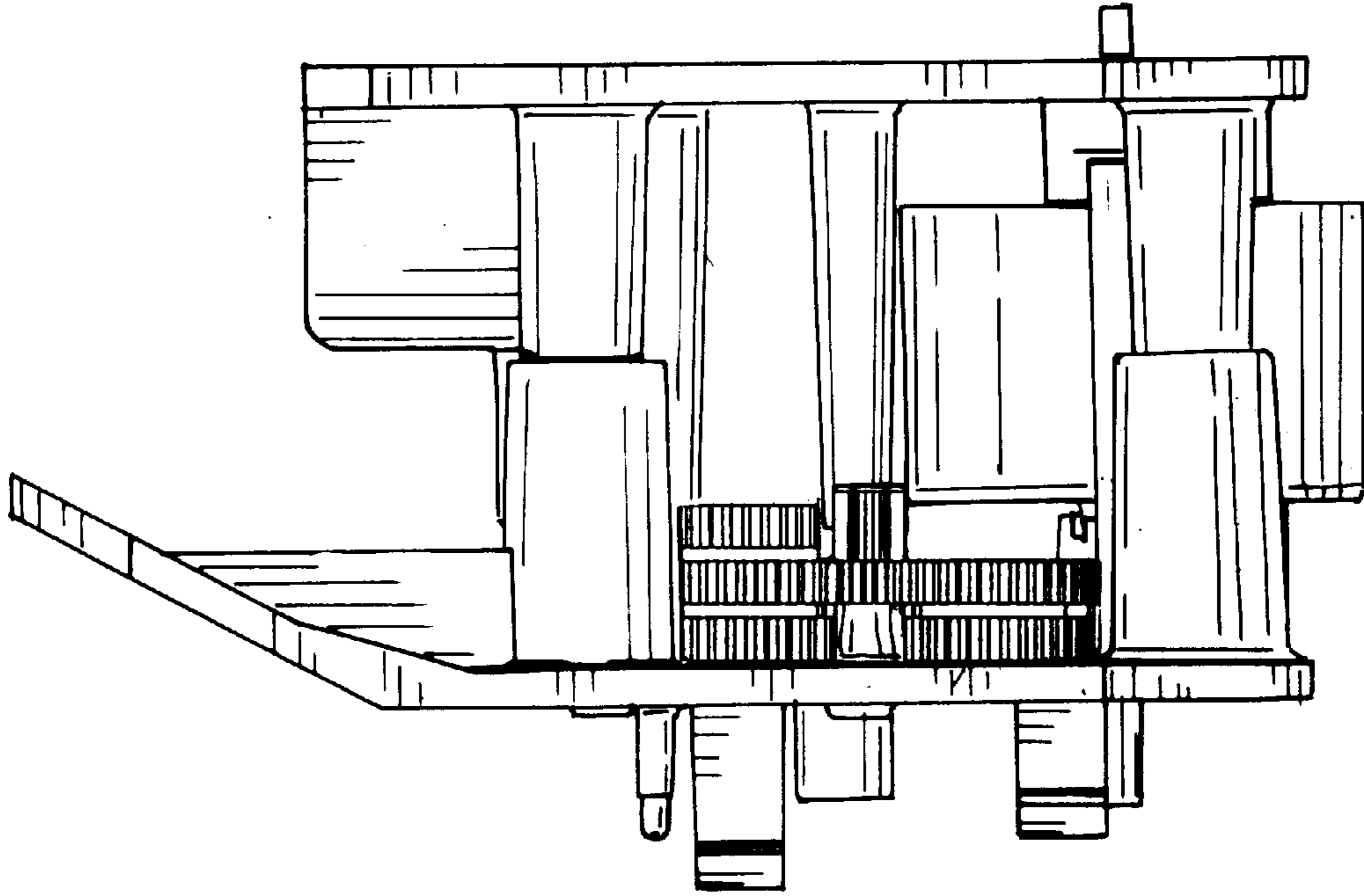


FIG. 3

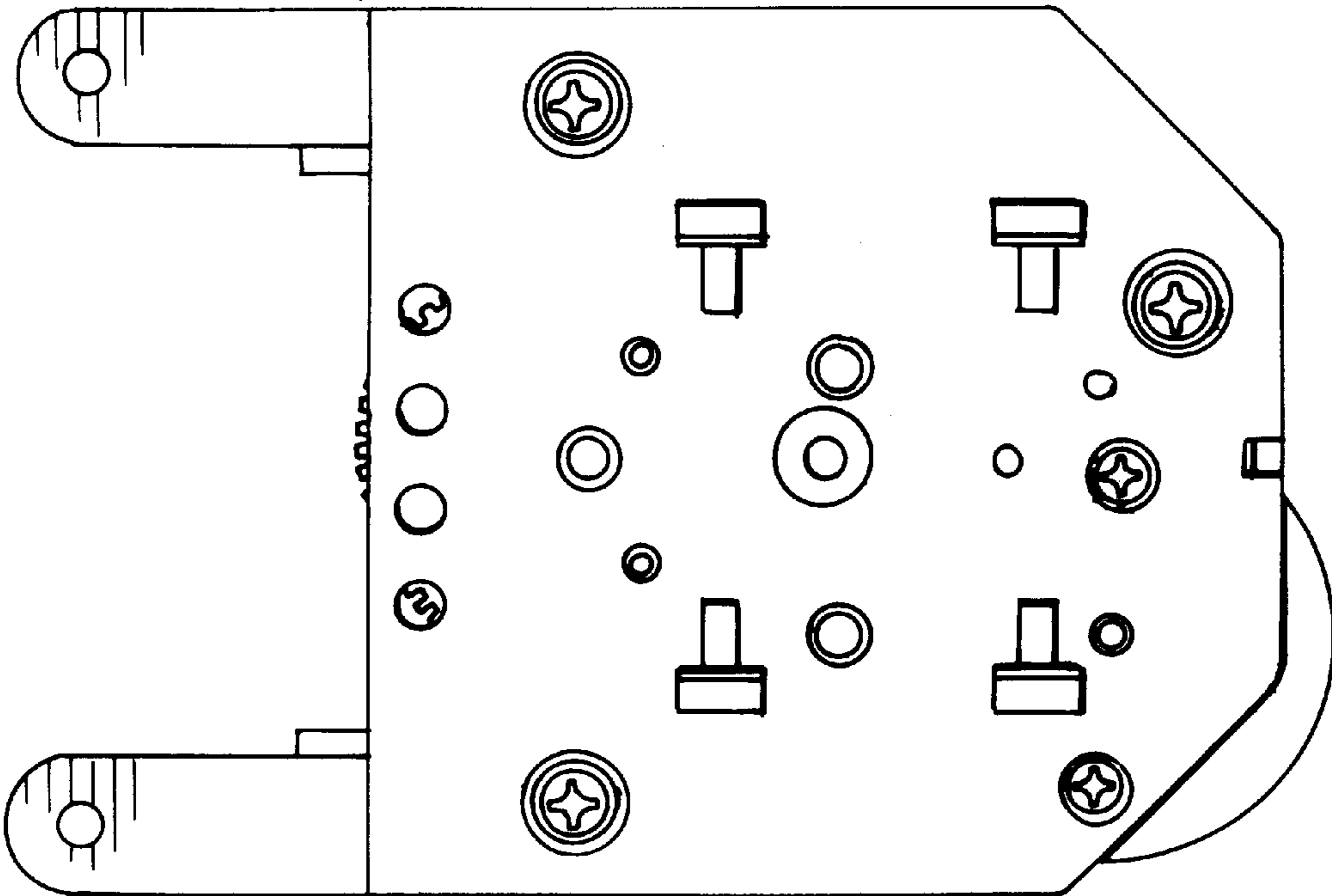


FIG. 2

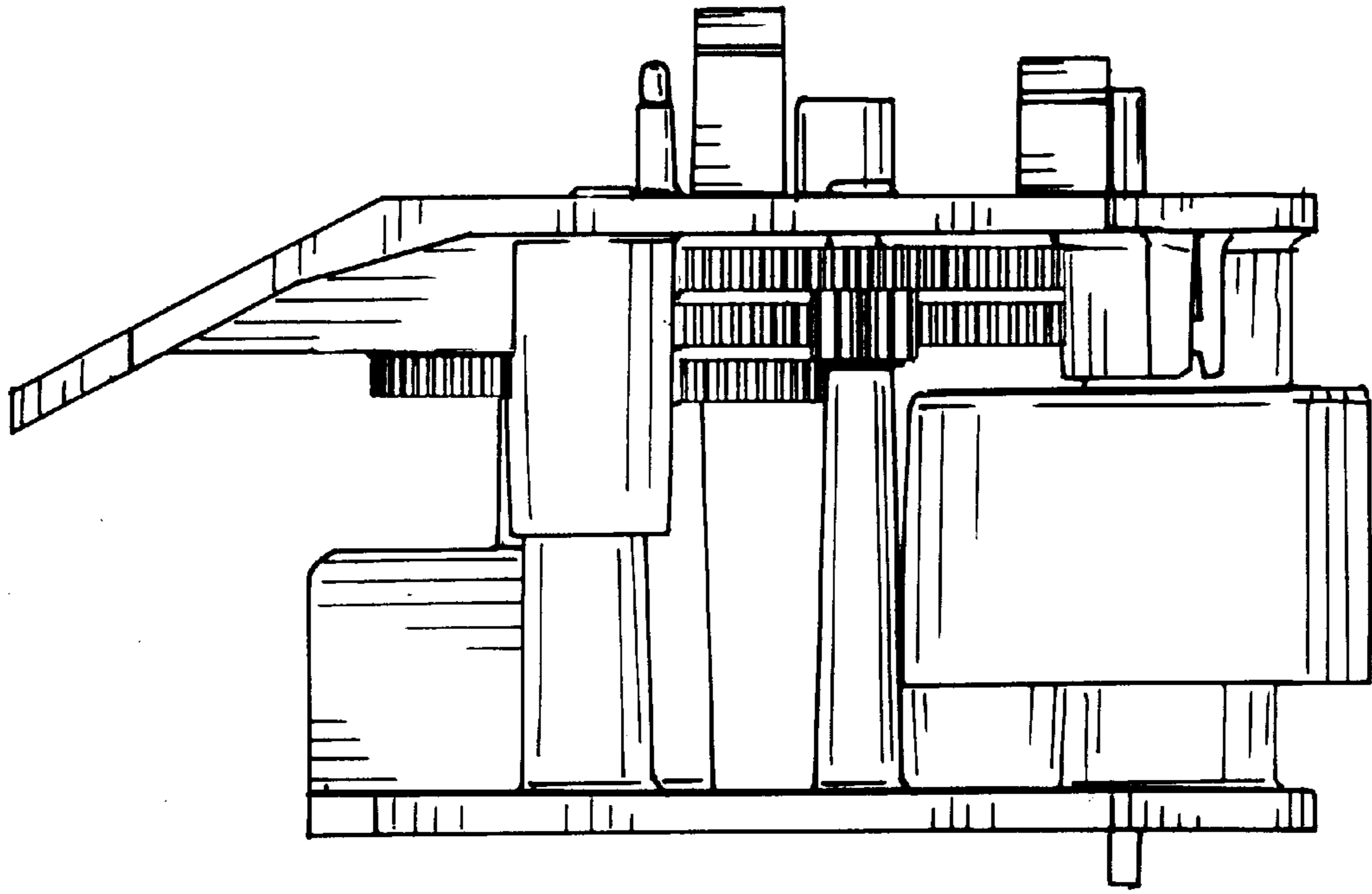


FIG. 5

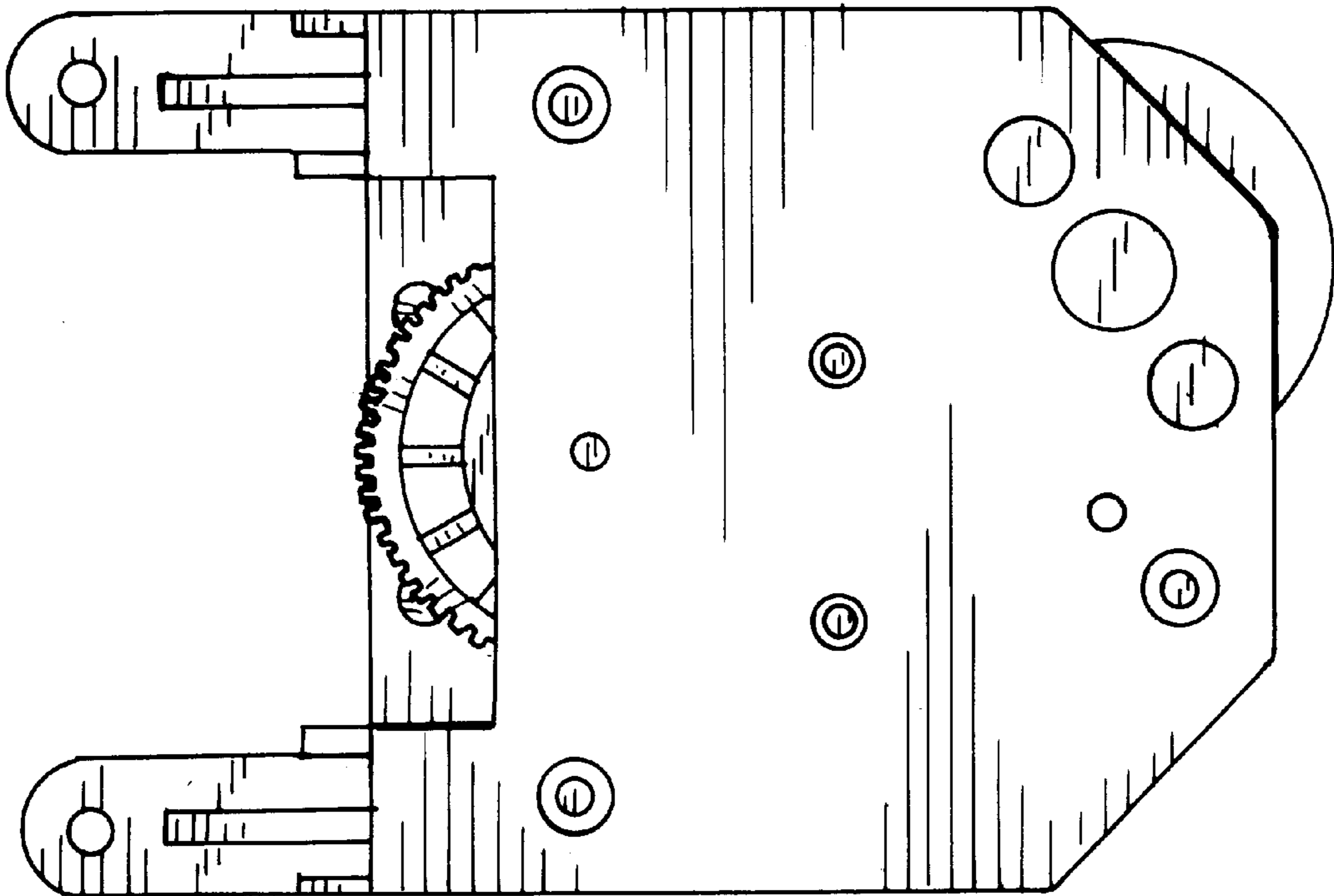


FIG. 4

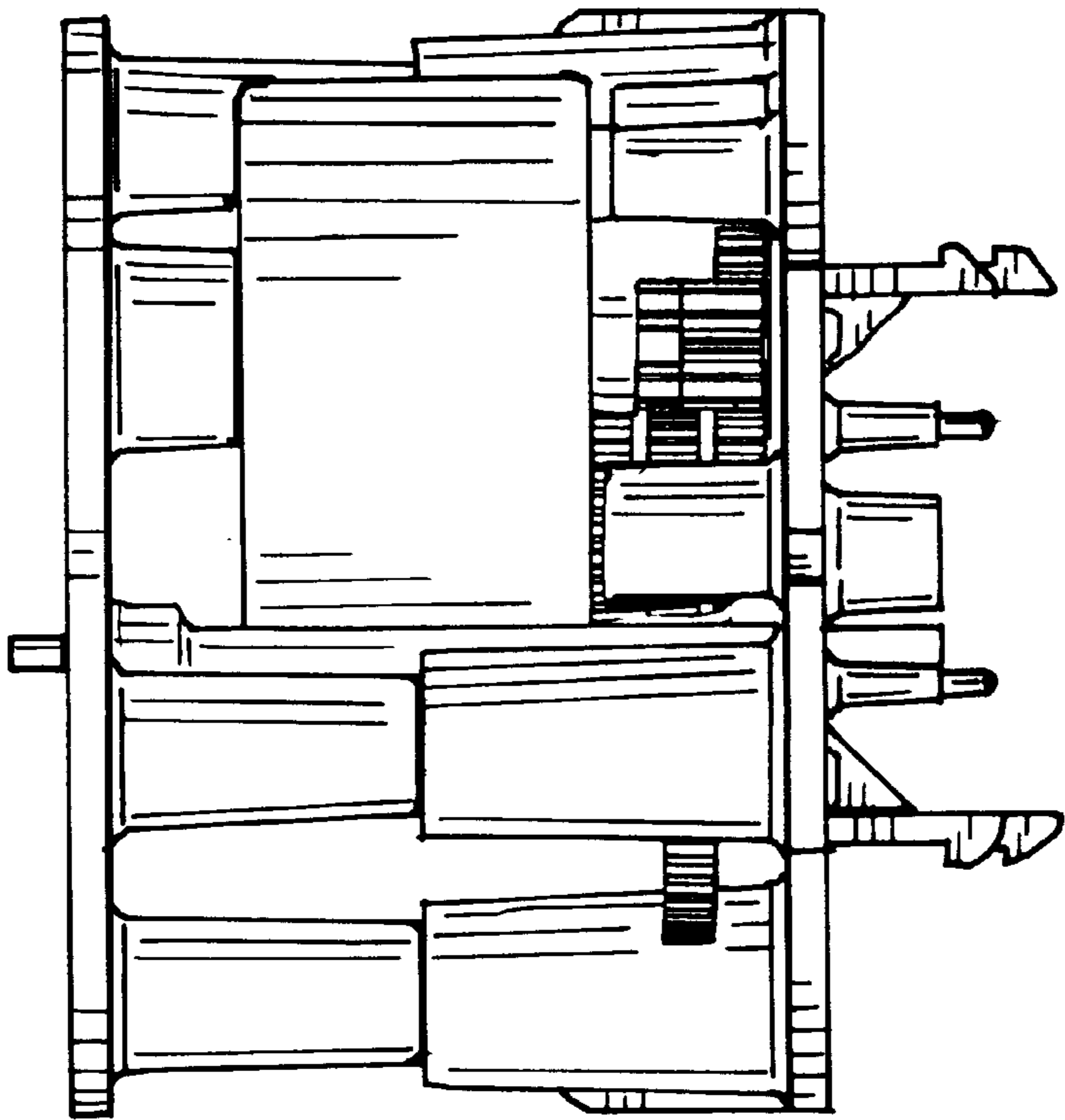


FIG. 6

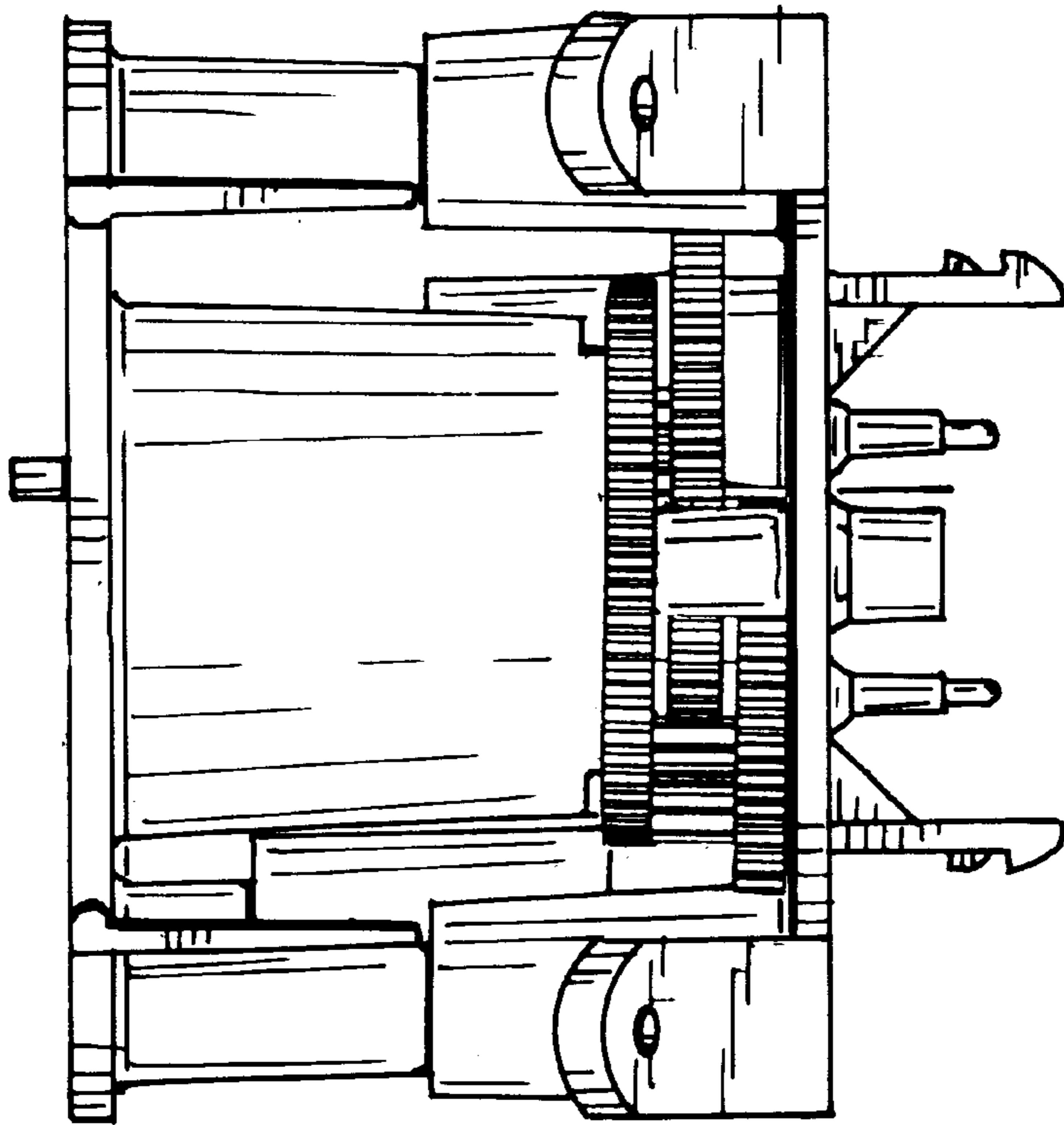


FIG. 7