



US00D442980S

(12) **United States Design Patent**
Johnson et al.

(10) **Patent No.:** **US D442,980 S**

(45) **Date of Patent:** **** May 29, 2001**

(54) **LAMINATOR**

6,131,636 * 10/2000 Anderson et al. 156/555

(75) Inventors: **Douglas George Johnson**, Cramerton;
David Edward Humphries, Waxhaw,
both of NC (US); **Daniel Leland**
Bragg, Peachtree City, GA (US);
Michael Herda, Hoboken, NJ (US);
Timothy Rothwell, Charlotte, NC (US)

* cited by examiner

Primary Examiner—Antoine Duval Davis
(74) *Attorney, Agent, or Firm*—Wallenstein and Wagner,
Ltd.

(73) Assignee: **D&K Laminex, Inc.**, Charlotte, NC
(US)

(57) **CLAIM**

The ornamental design for a laminator, as shown and
described.

(**) Term: **14 Years**

DESCRIPTION

(21) Appl. No.: **29/125,417**

FIG. 1 is a perspective view of a laminator showing our new
design;

(22) Filed: **Jun. 23, 2000**

FIG. 2 is a top plan view thereof;

(51) **LOC (7) Cl.** **10-04**

FIG. 3 is a bottom plan view thereof;

(52) **U.S. Cl.** **D15/146**

FIG. 4 is a left side elevational view thereof;

(58) **Field of Search** D15/145, 146;
156/555, 560, 582, 583.1; 100/155 R, 160,
176

FIG. 5 is a right side elevational view thereof;

FIG. 6 is a front view thereof; and,

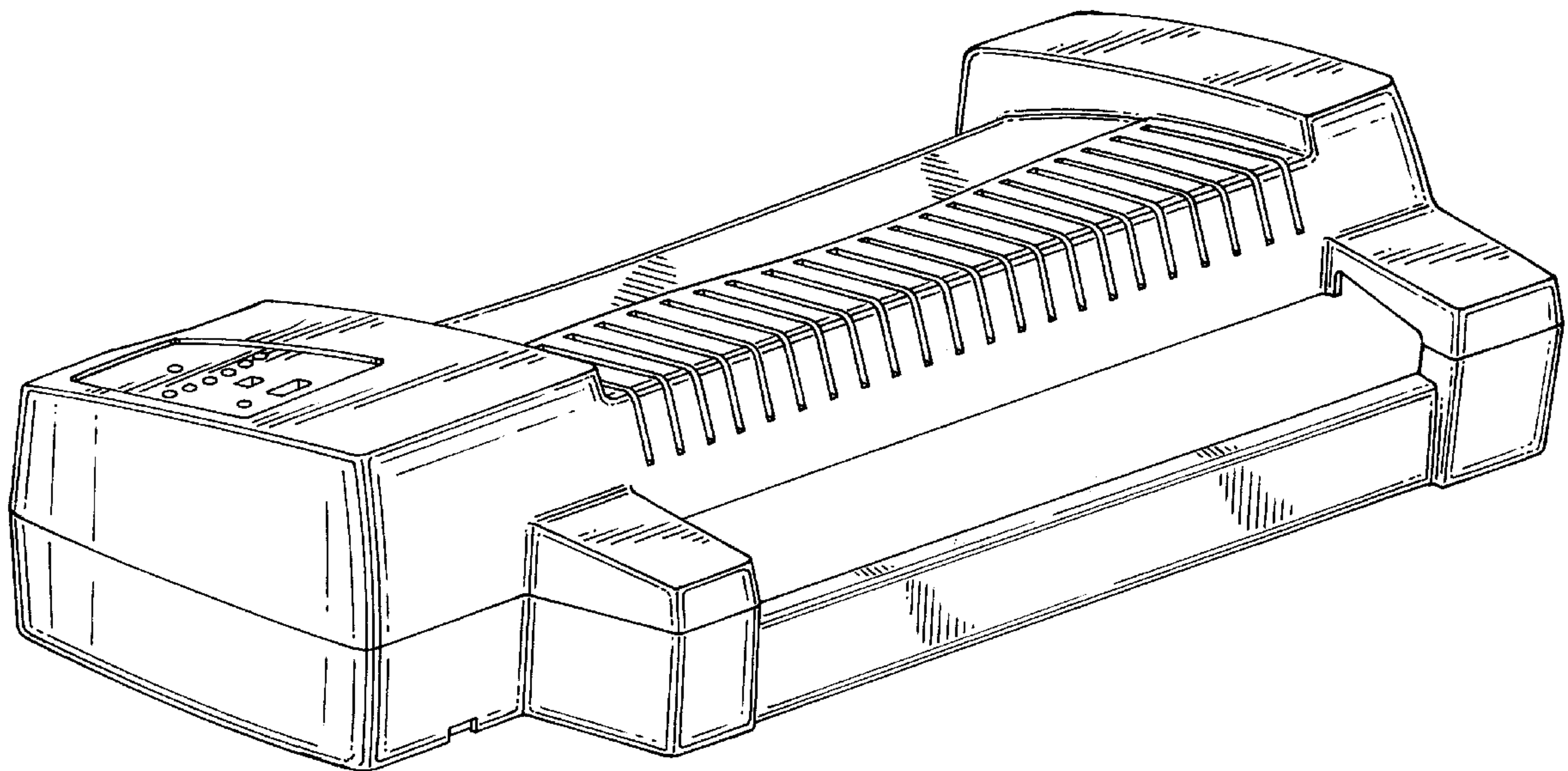
FIG. 7 is a rear view thereof.

(56) **References Cited**

U.S. PATENT DOCUMENTS

D. 358,826 * 5/1995 Kuhns D15/146

1 Claim, 5 Drawing Sheets



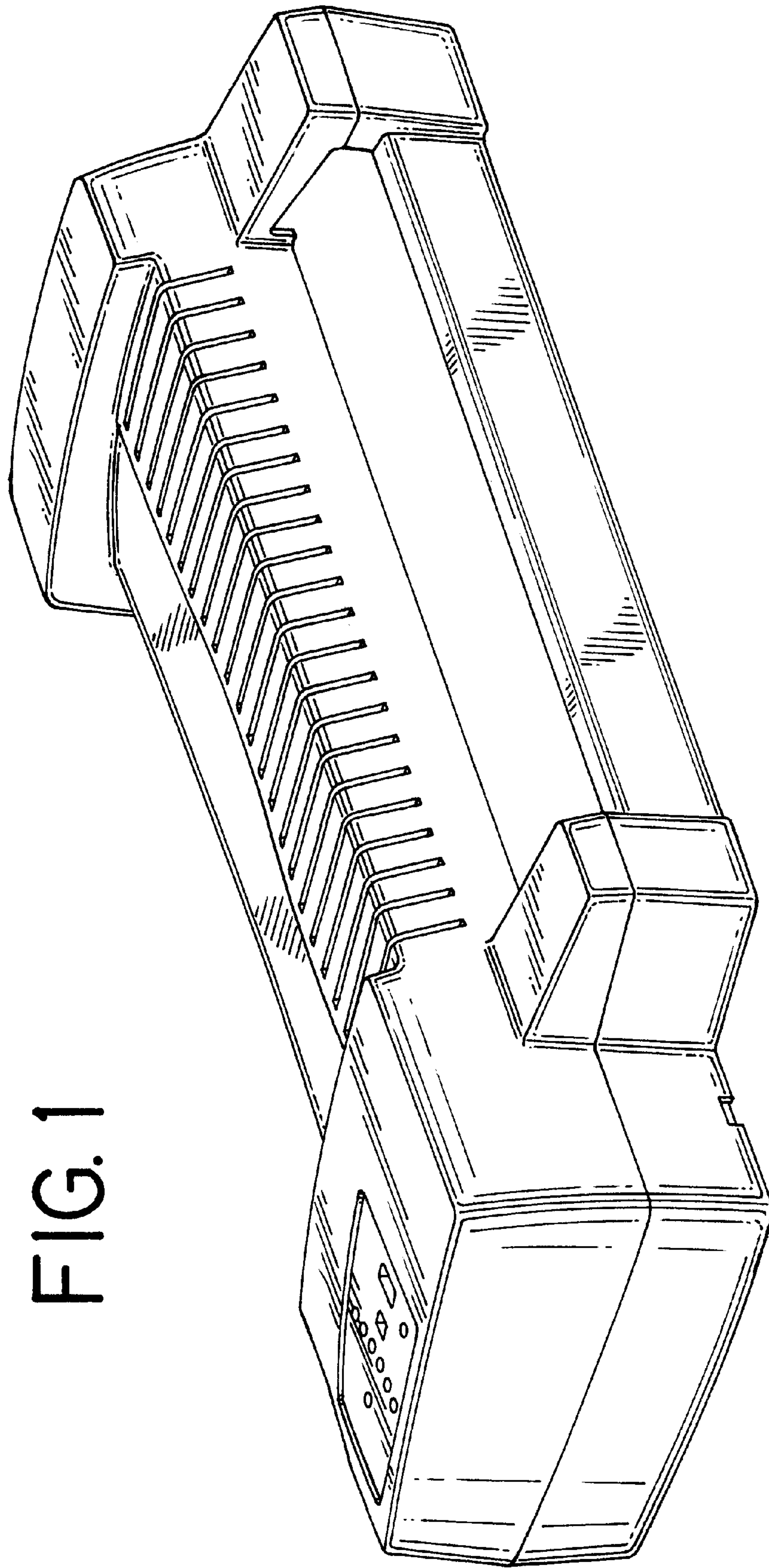


FIG. 1

FIG. 2

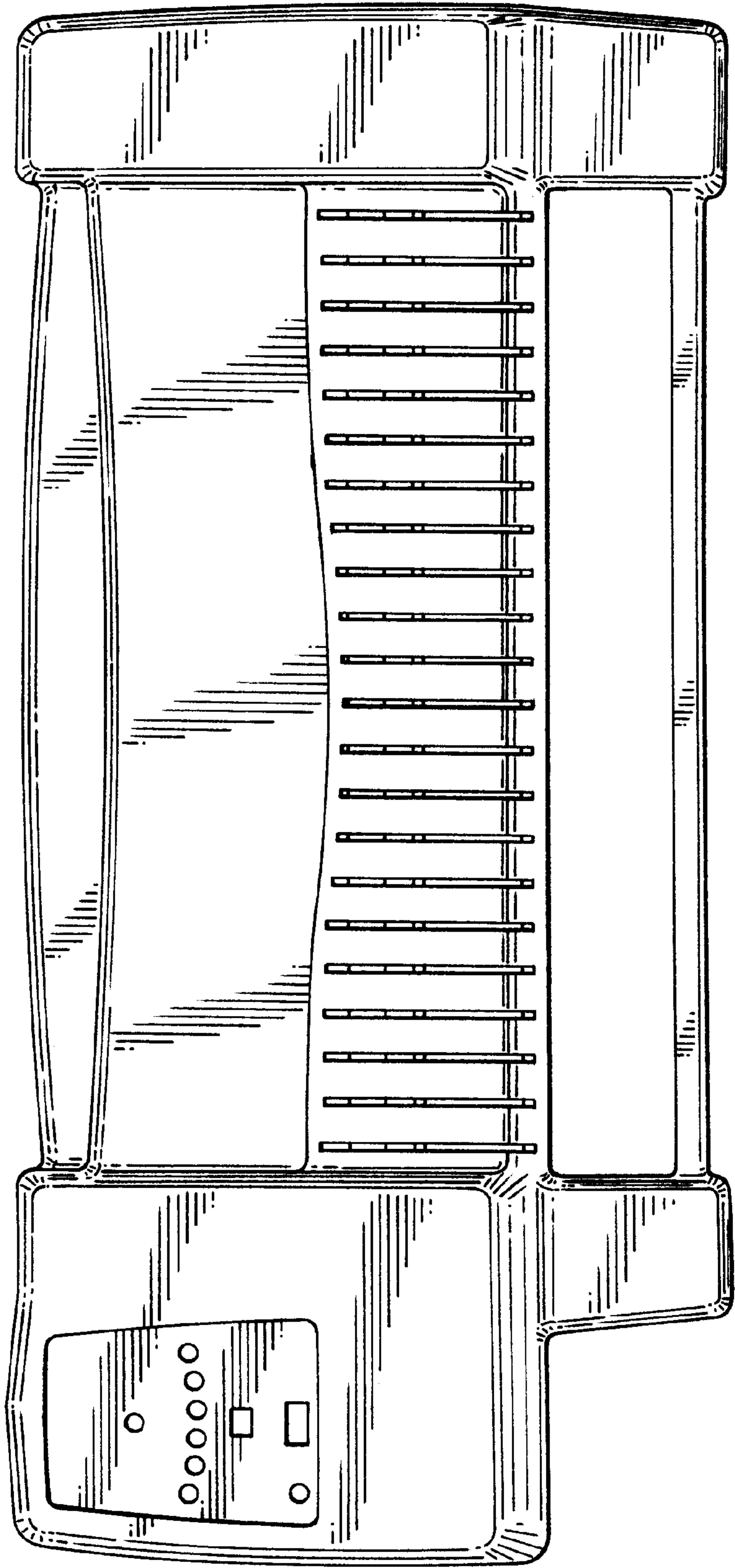


FIG. 3

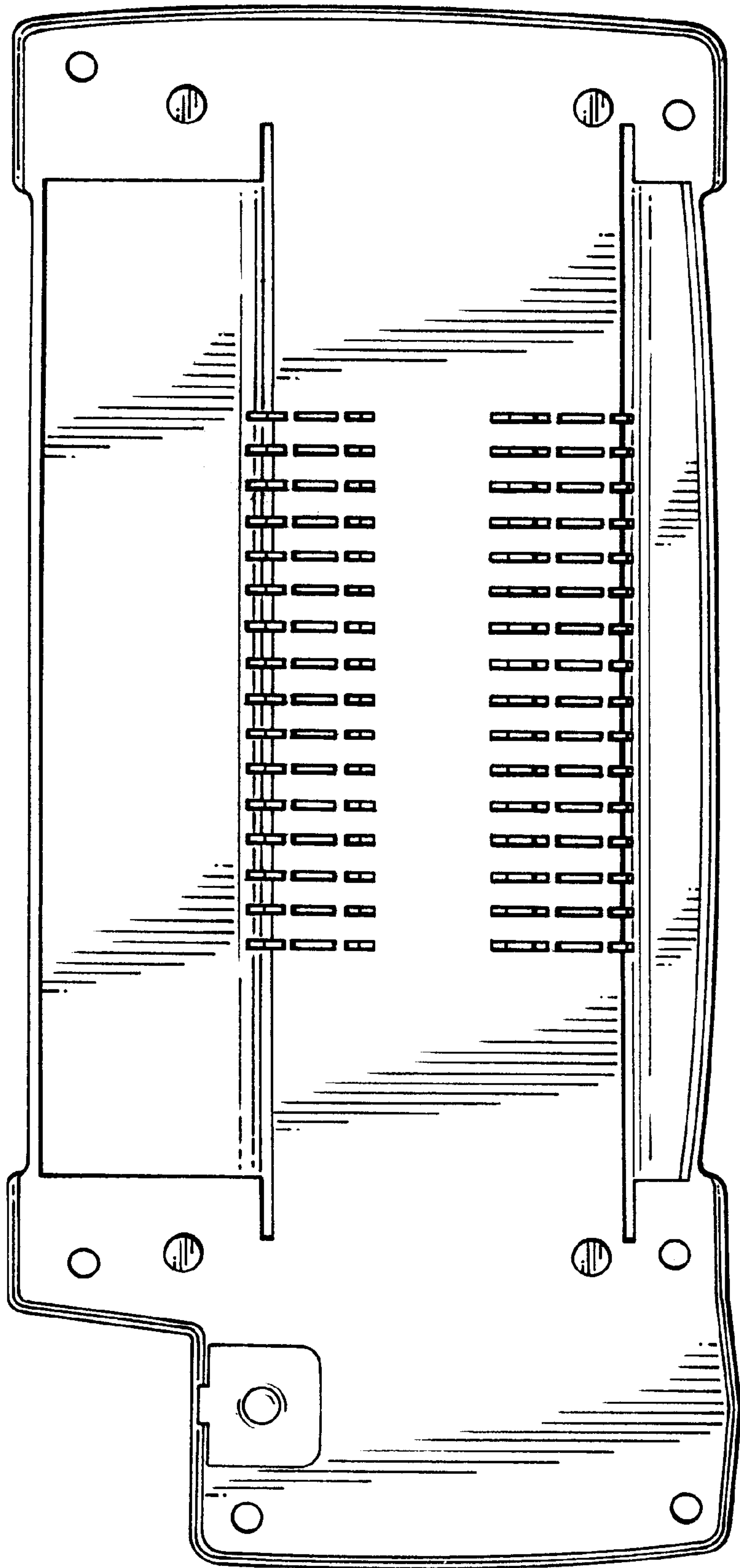


FIG. 4

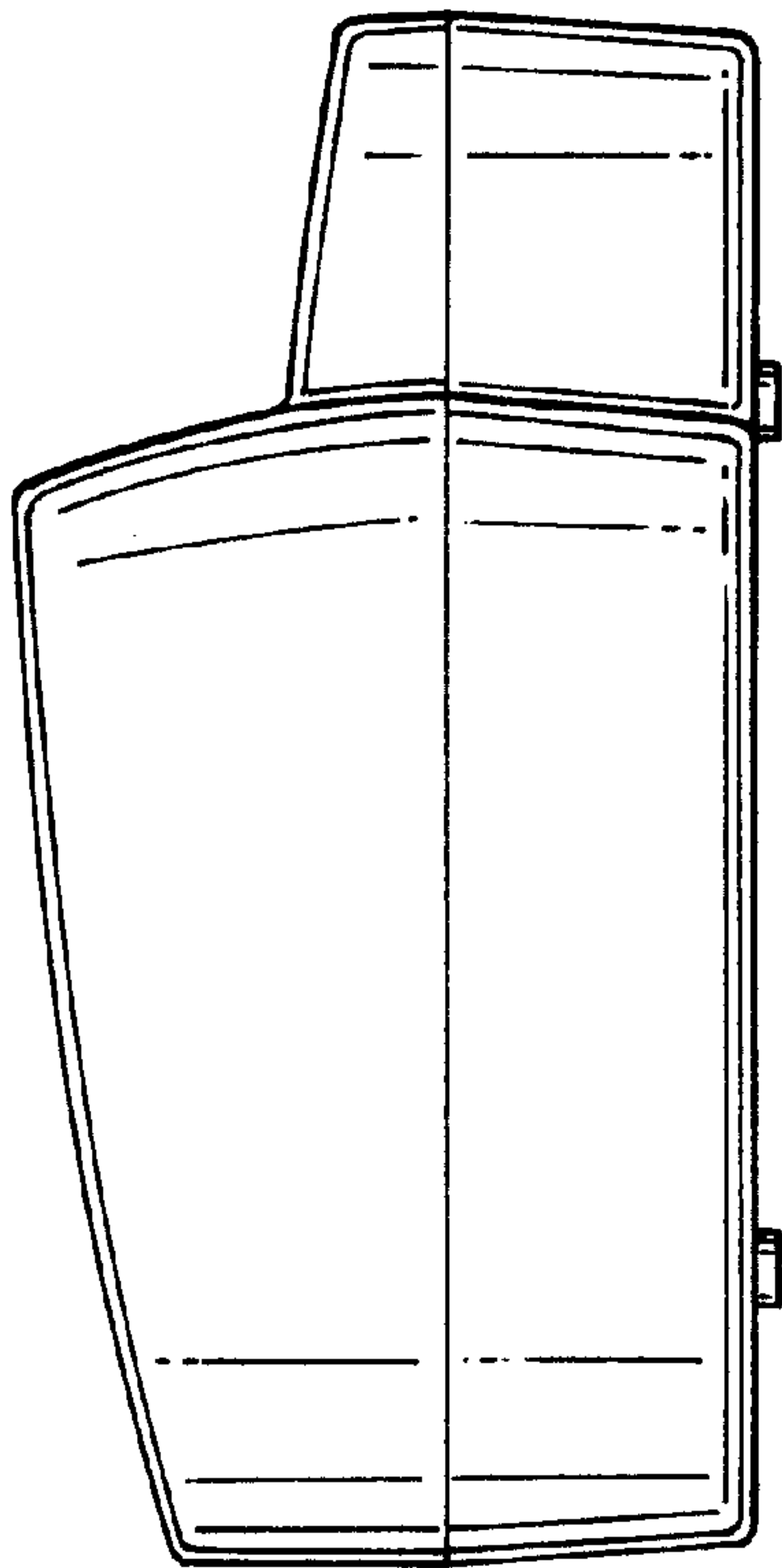


FIG. 5

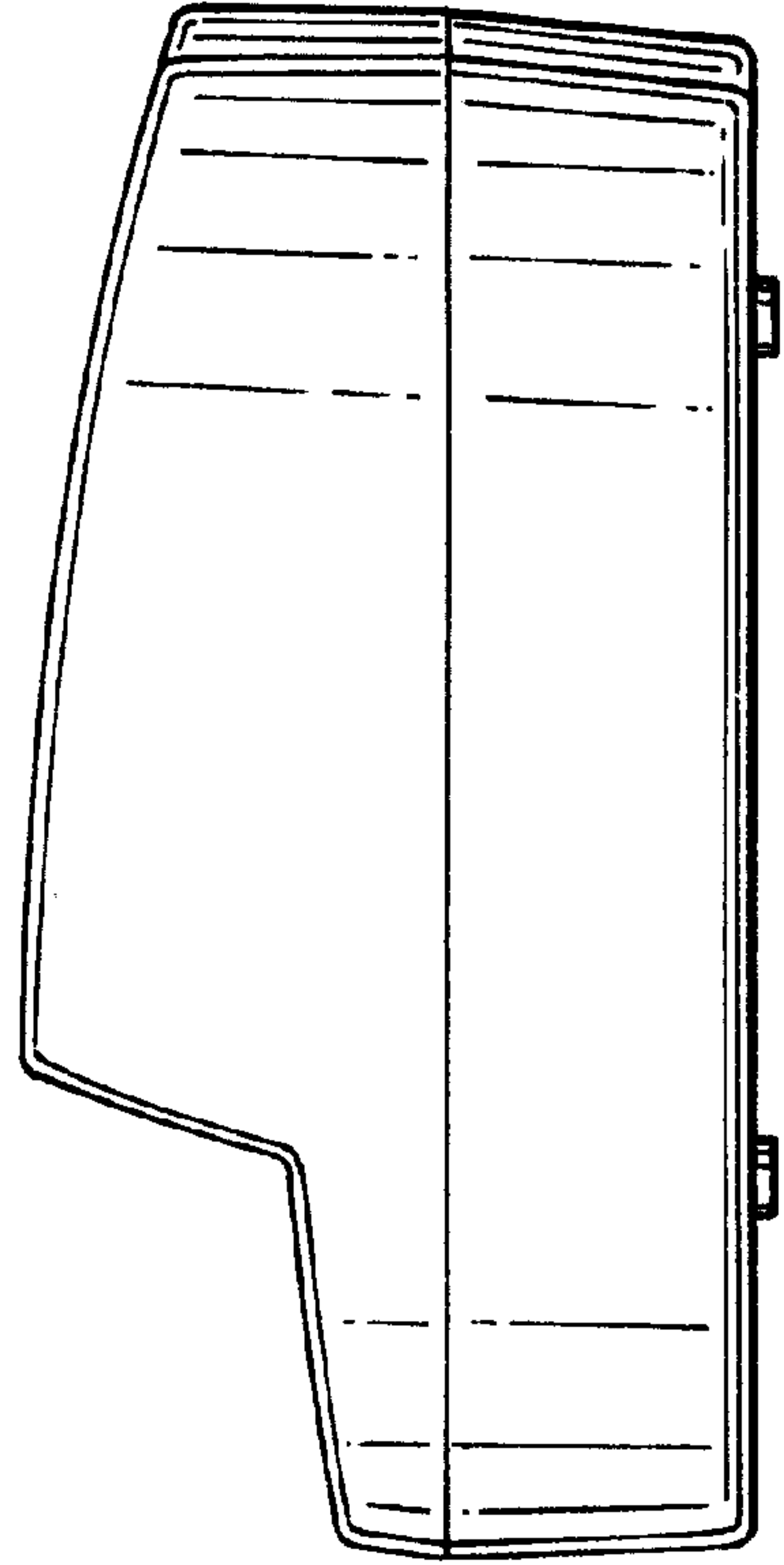


FIG. 6

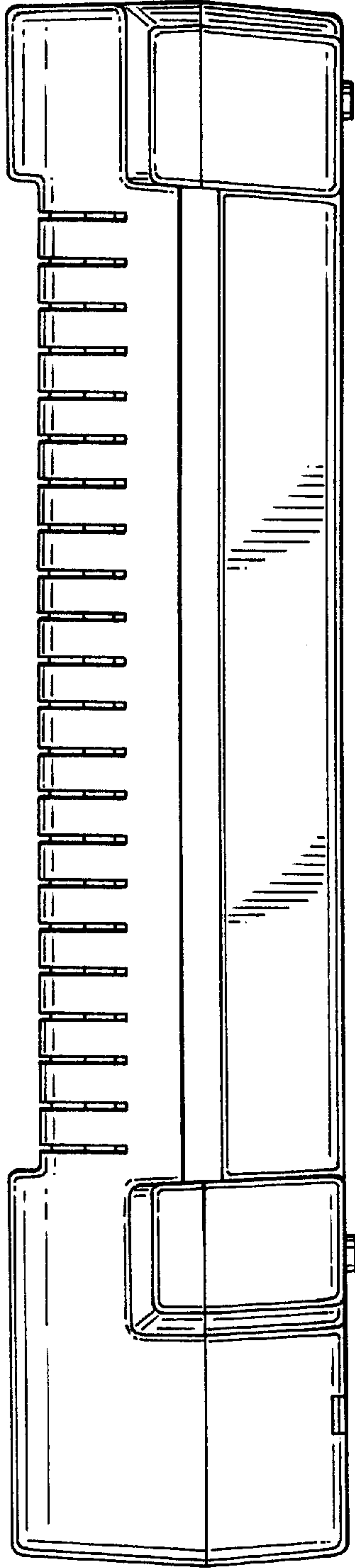


FIG. 7

