



US00D442976S

(12) **United States Design Patent**  
**Chin-Feng**

(10) **Patent No.:** **US D442,976 S**

(45) **Date of Patent:** **\*\* May 29, 2001**

(54) **PLANER**

(76) **Inventor:** **Wang Chin-Feng**, 11F-2, No. 43,  
Chai-I Street, Taichung City (TW)

(\*\*) **Term:** **14 Years**

(21) **Appl. No.:** **29/124,616**

(22) **Filed:** **Jun. 8, 2000**

(51) **LOC (7) Cl.** ..... **15-09**

(52) **U.S. Cl.** ..... **D15/124**

(58) **Field of Search** ..... D15/124; 144/177.1-177.4,  
144/131; 451/296-301, 455

(56) **References Cited**

**U.S. PATENT DOCUMENTS**

D. 411,548 \* 6/1999 Welsh ..... D15/124

D. 430,175 \* 8/2000 Hayakawa et al. .... D15/124

\* cited by examiner

*Primary Examiner*—Antoine Duval Davis

(74) *Attorney, Agent, or Firm*—Charles E. Baxley

(57) **CLAIM**

The ornamental design for a planer, as shown and described.

**DESCRIPTION**

FIG. 1 is a front-left-top perspective view of a planer,  
showing my new design;

FIG. 2 is a front elevational view thereof;

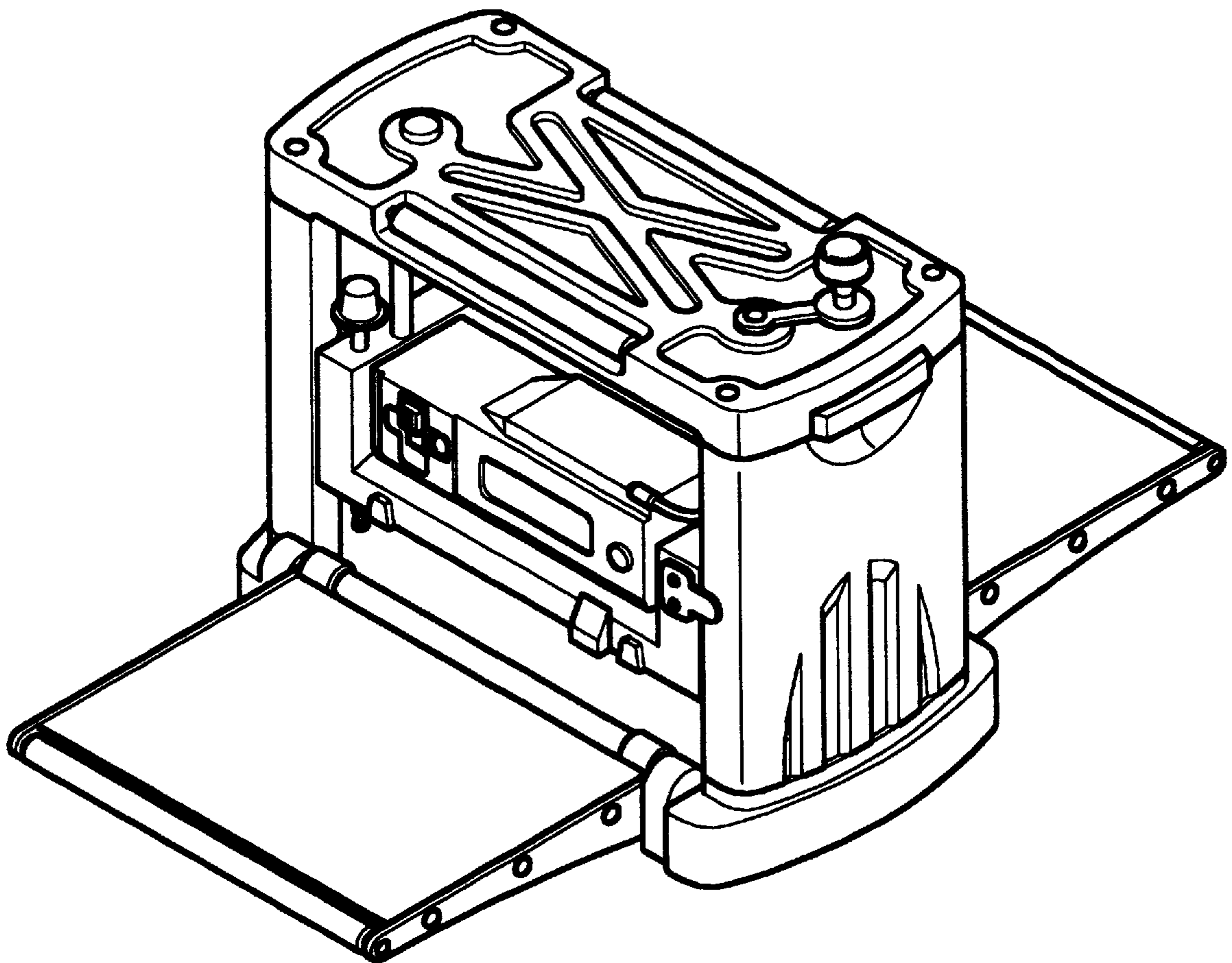
FIG. 3 is a rear elevational view thereof;

FIG. 4 is a right elevational view thereof;

FIG. 5 is a top plan view thereof; and,

FIG. 6 is a bottom plan view thereof.

**1 Claim, 3 Drawing Sheets**



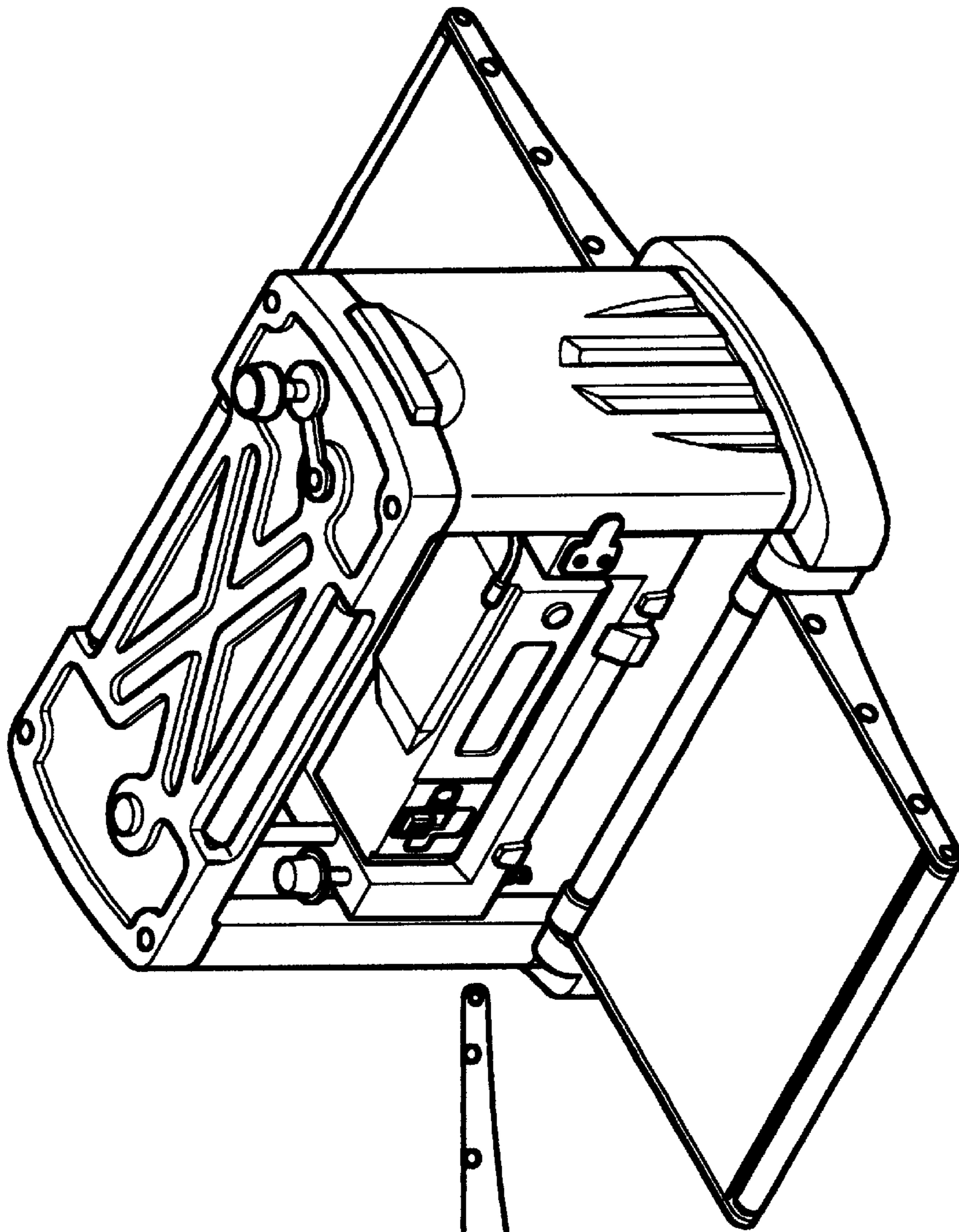


FIG.1

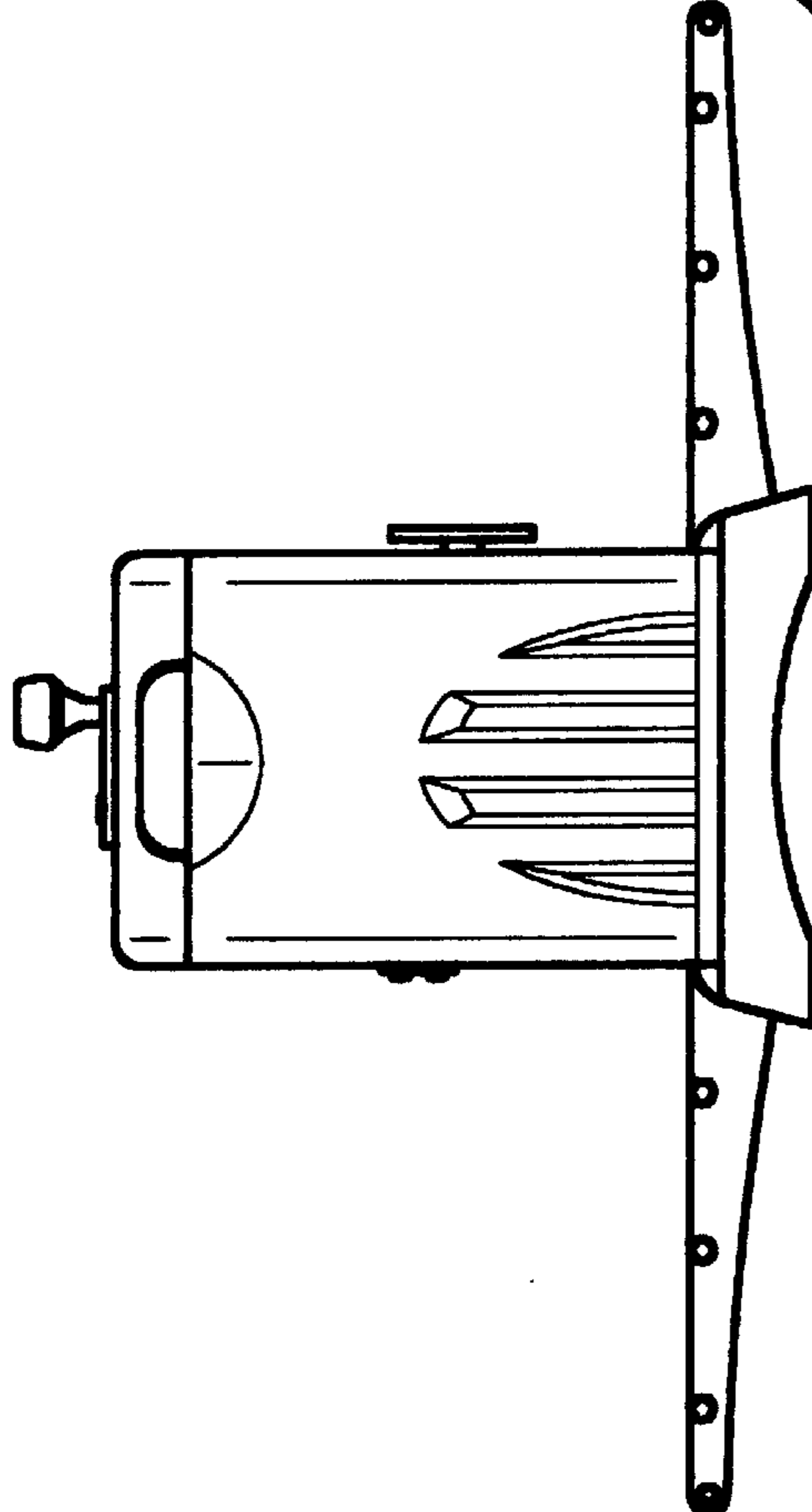


FIG.4

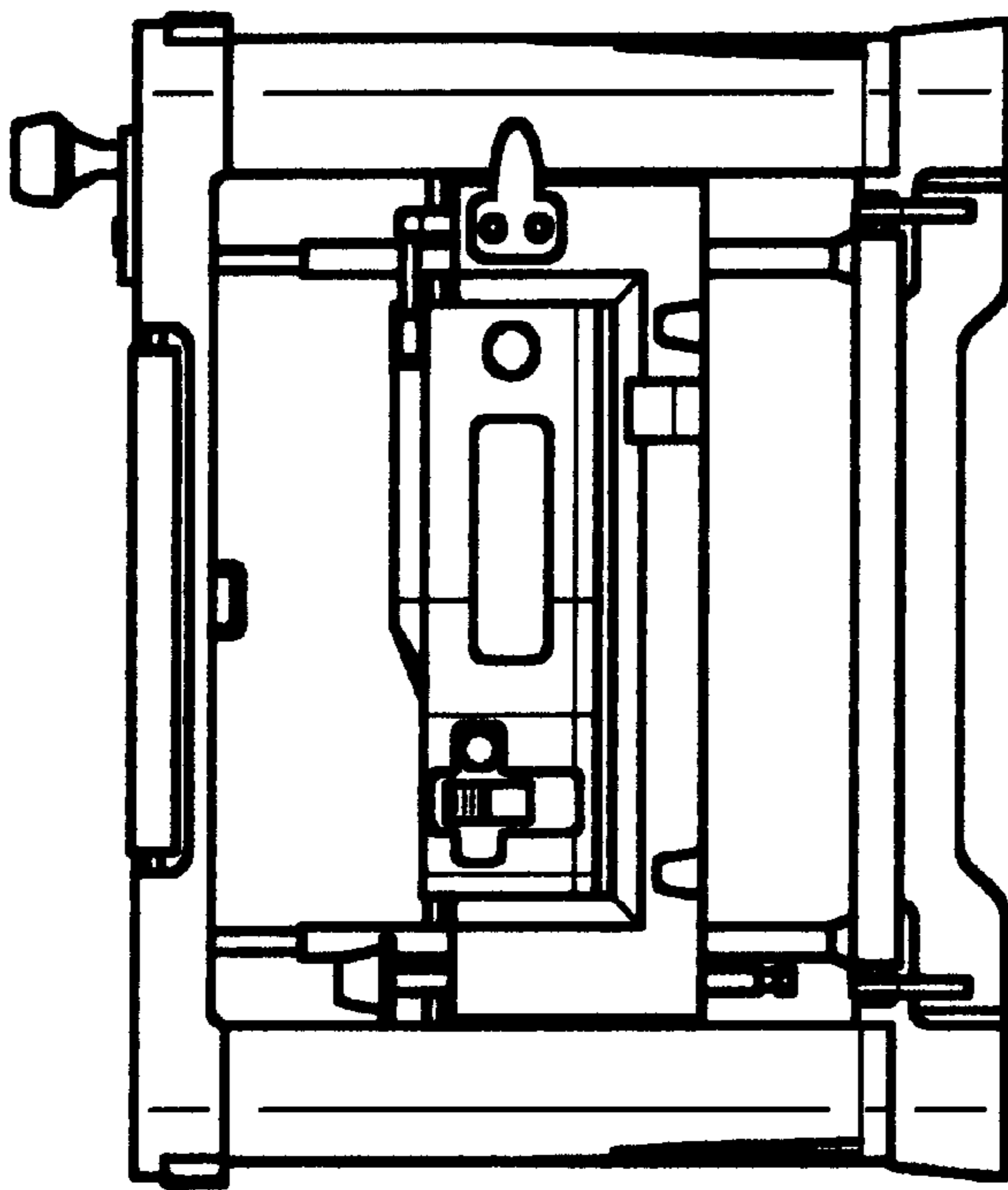


FIG. 2

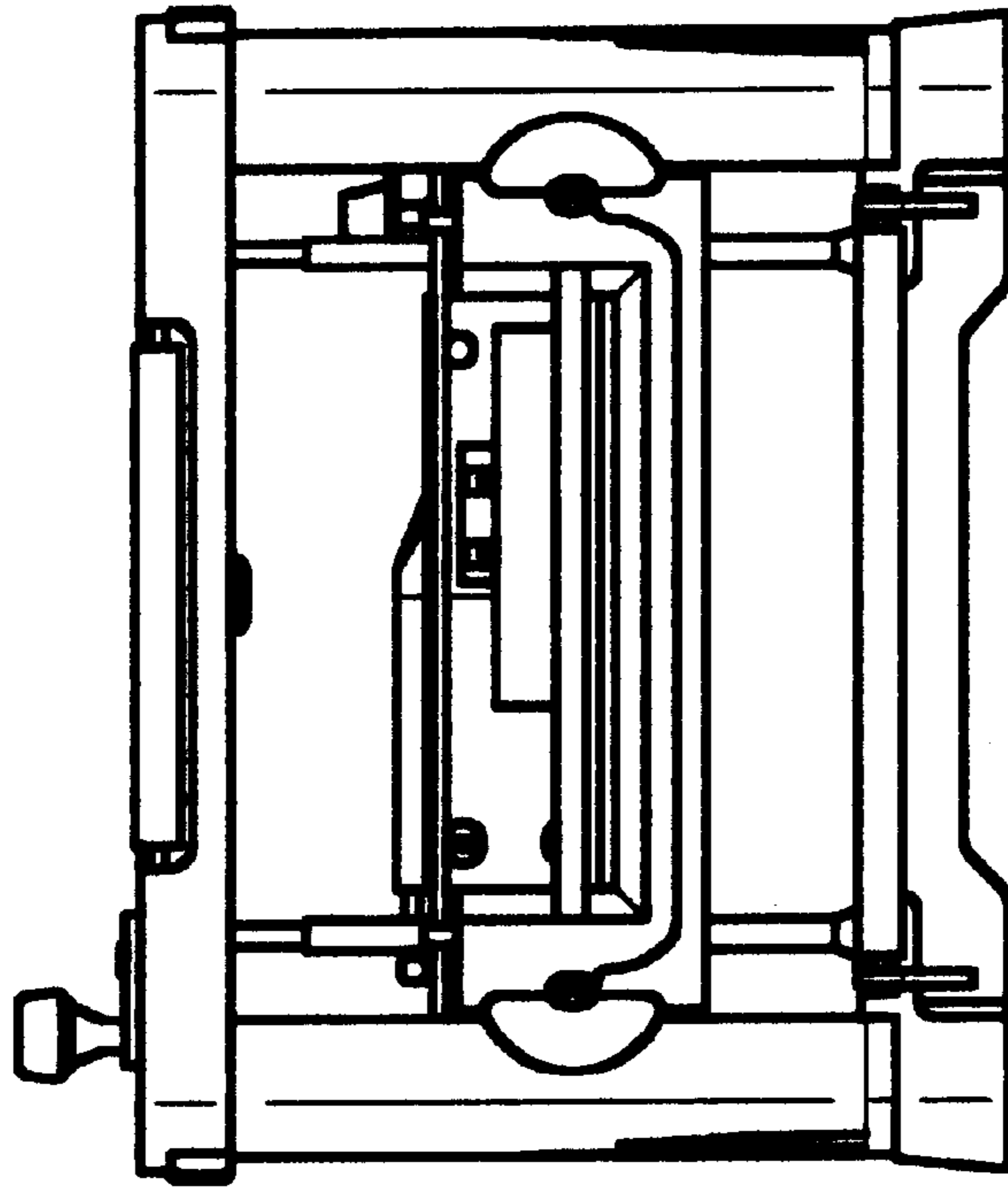


FIG. 3

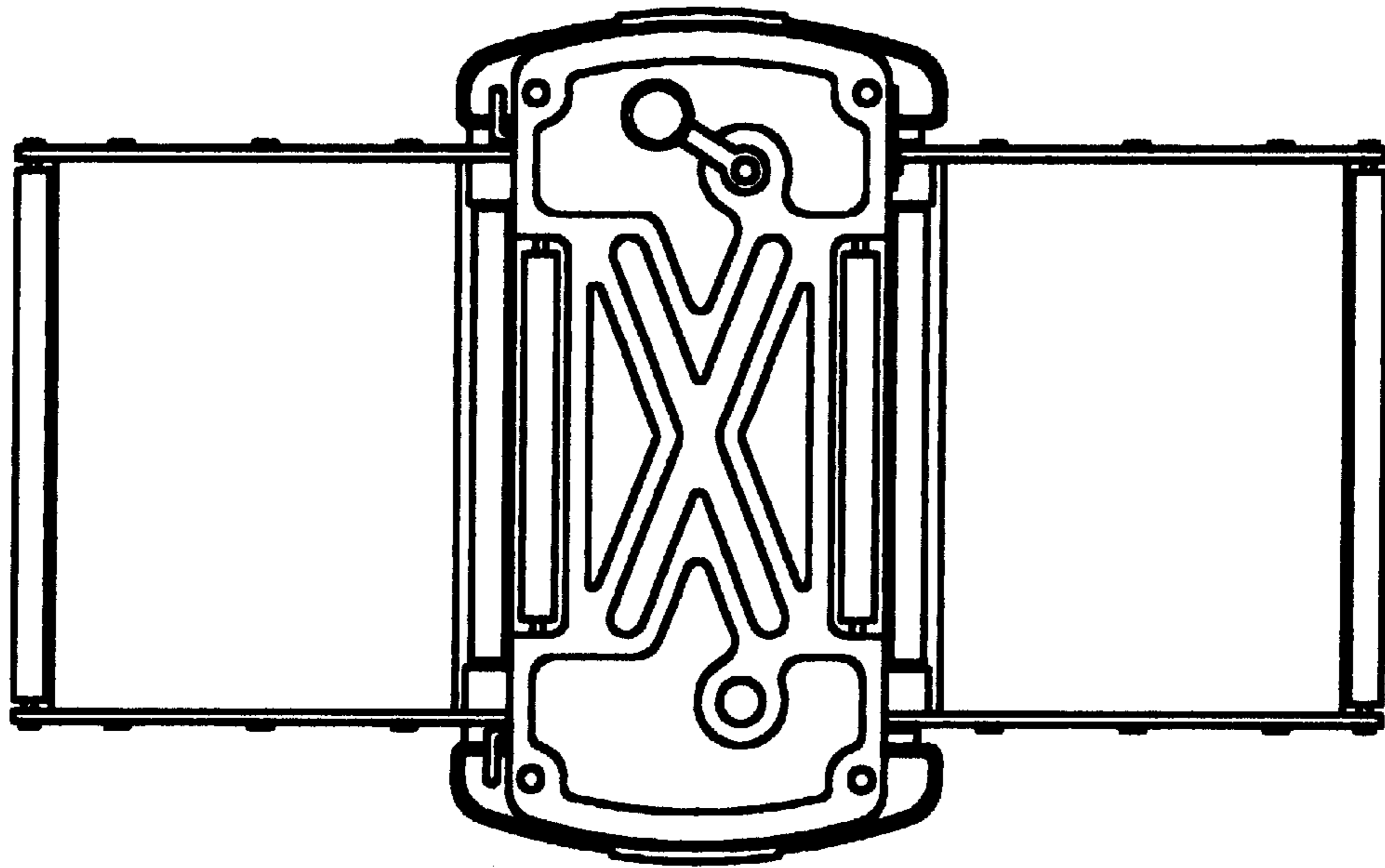


FIG. 5

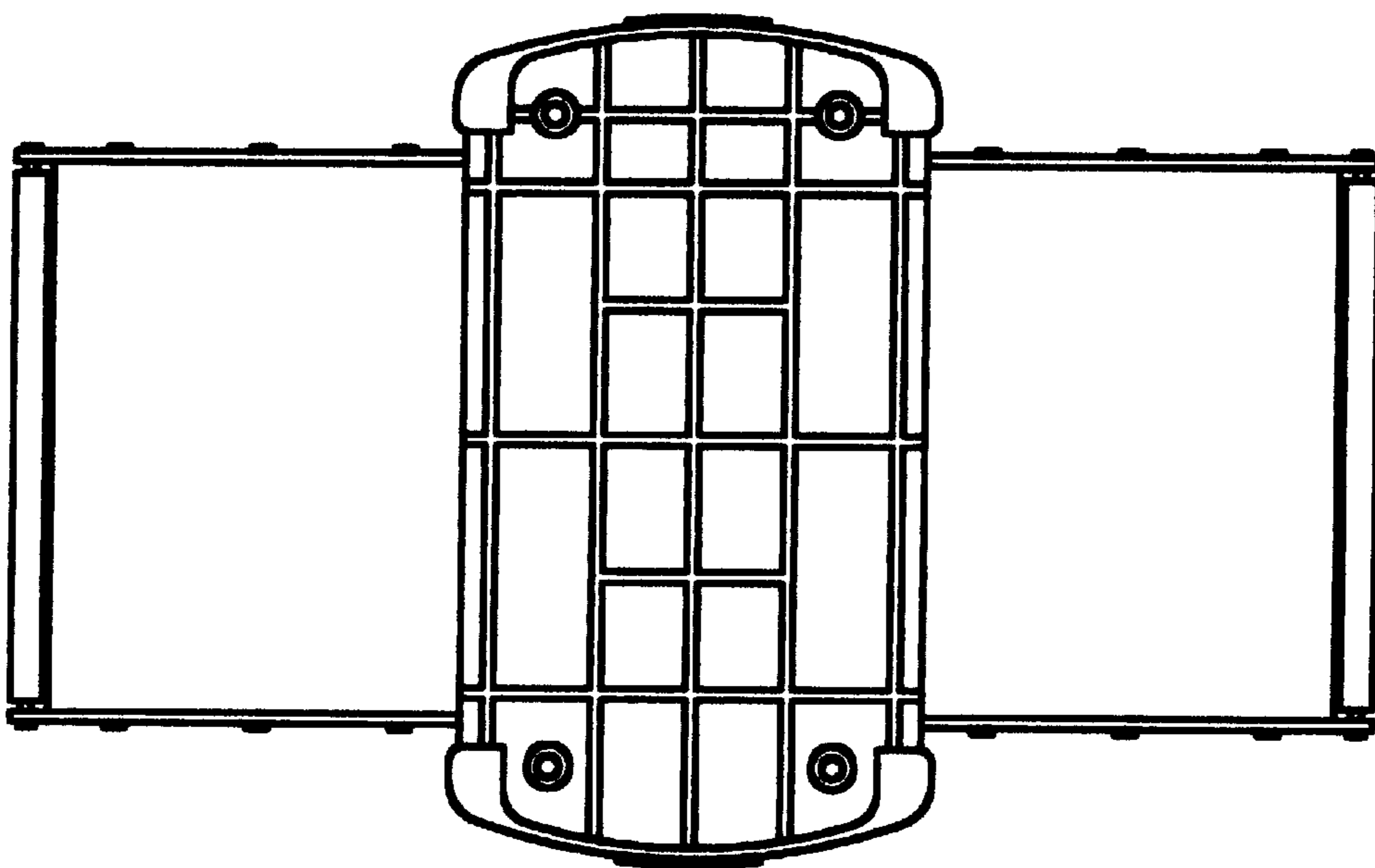


FIG. 6