



US00D442975S

(12) **United States Design Patent**  
**St-Gelais et al.**

(10) **Patent No.:** **US D442,975 S**

(45) **Date of Patent:** **\*\* May 29, 2001**

(54) **COMBINED WORK BENCH AND OVEN**

5,678,441 \* 10/1997 Schwarze ..... 72/149  
5,946,960 \* 9/1999 Lanticina ..... 72/149

(76) Inventors: **Yvan St-Gelais**, 59 chemin Wright,  
Chelsea, Québec (CA), J0X 1N0;  
**Claude Osborne**, 32  
Lucienne-Bourgeois, Gatineau, Québec  
(CA), J8P 7Y5; **Nicole St-Gelais**, 167  
de Pradet, Gatineau, Québec (CA), J8T  
8E6

\* cited by examiner

*Primary Examiner*—Antoine Duval Davis  
(74) *Attorney, Agent, or Firm*—Jean H. Dubuc

(\*\*) Term: **14 Years**

(21) Appl. No.: **29/128,572**

(22) Filed: **Aug. 28, 2000**

(30) **Foreign Application Priority Data**

Apr. 13, 1999 (CA) ..... 1999-0831

(51) **LOC (7) Cl.** ..... **15-09**

(52) **U.S. Cl.** ..... **D15/123**

(58) **Field of Search** ..... D15/122-124;  
72/149, 150-156, 369, 370, 157-159; 165/109,  
172

(56) **References Cited**

**U.S. PATENT DOCUMENTS**

4,765,168 \* 8/1988 Stange et al. .... 72/150

(57) **CLAIM**

The ornamental design for a combined work bench and oven, as shown and described.

**DESCRIPTION**

FIG. 1 is a rear view of a combined work bench and oven showing my new design;

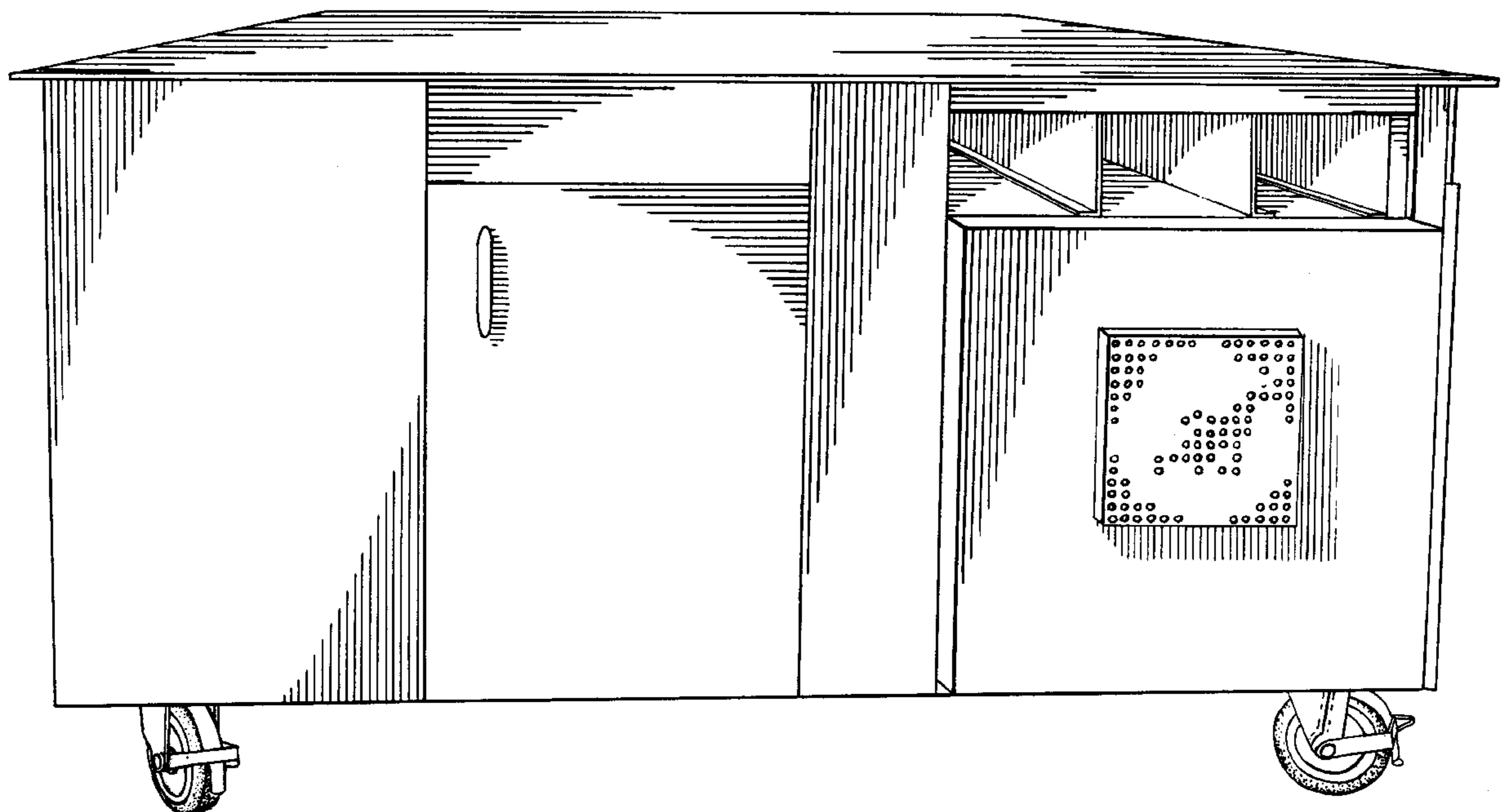
FIG. 2 is a perspective view thereof as seen from the left of FIG. 1;

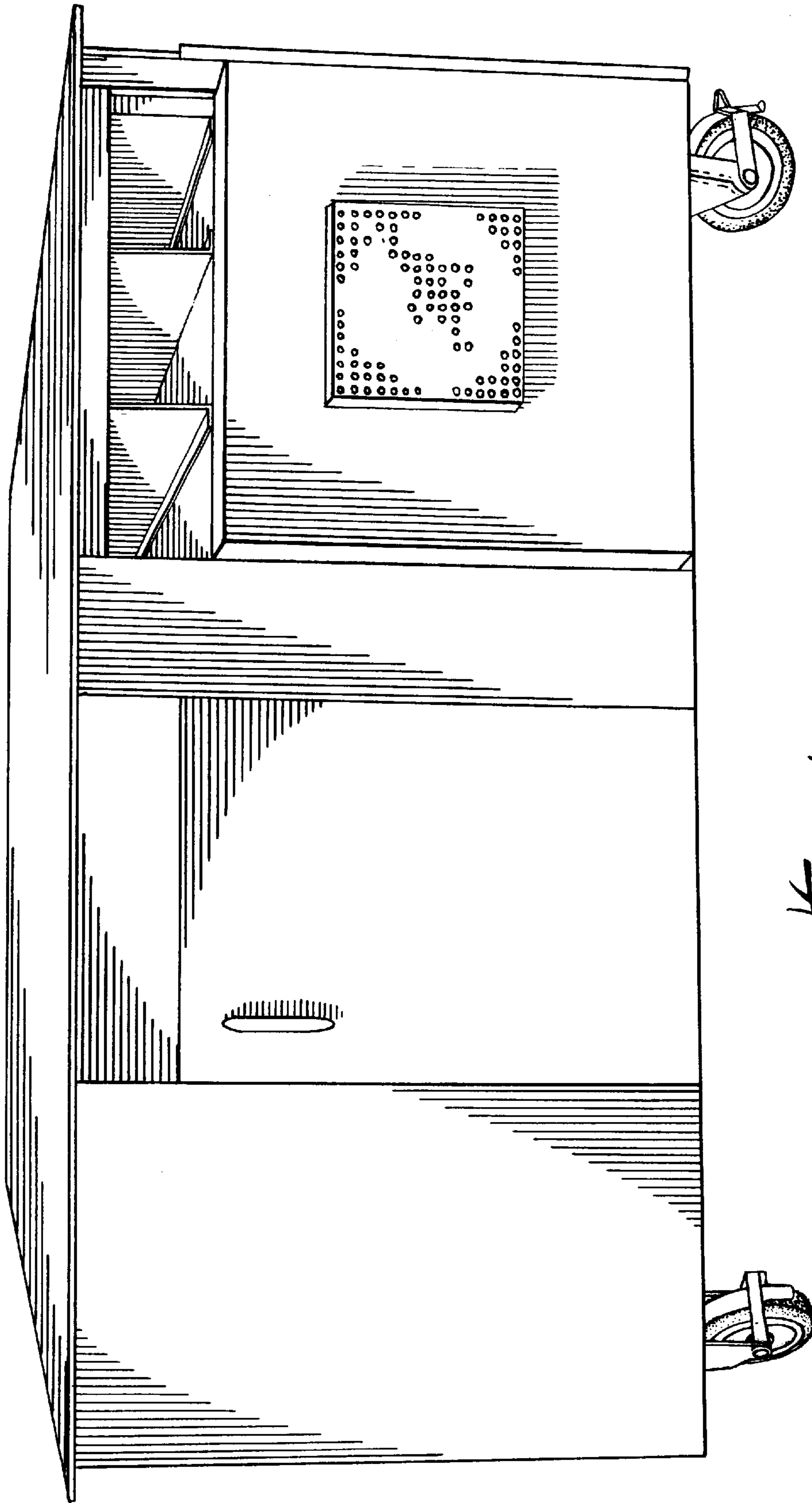
FIG. 3 is a front view thereof;

FIG. 4 is a perspective view as seen from the right of FIG. 1; and,

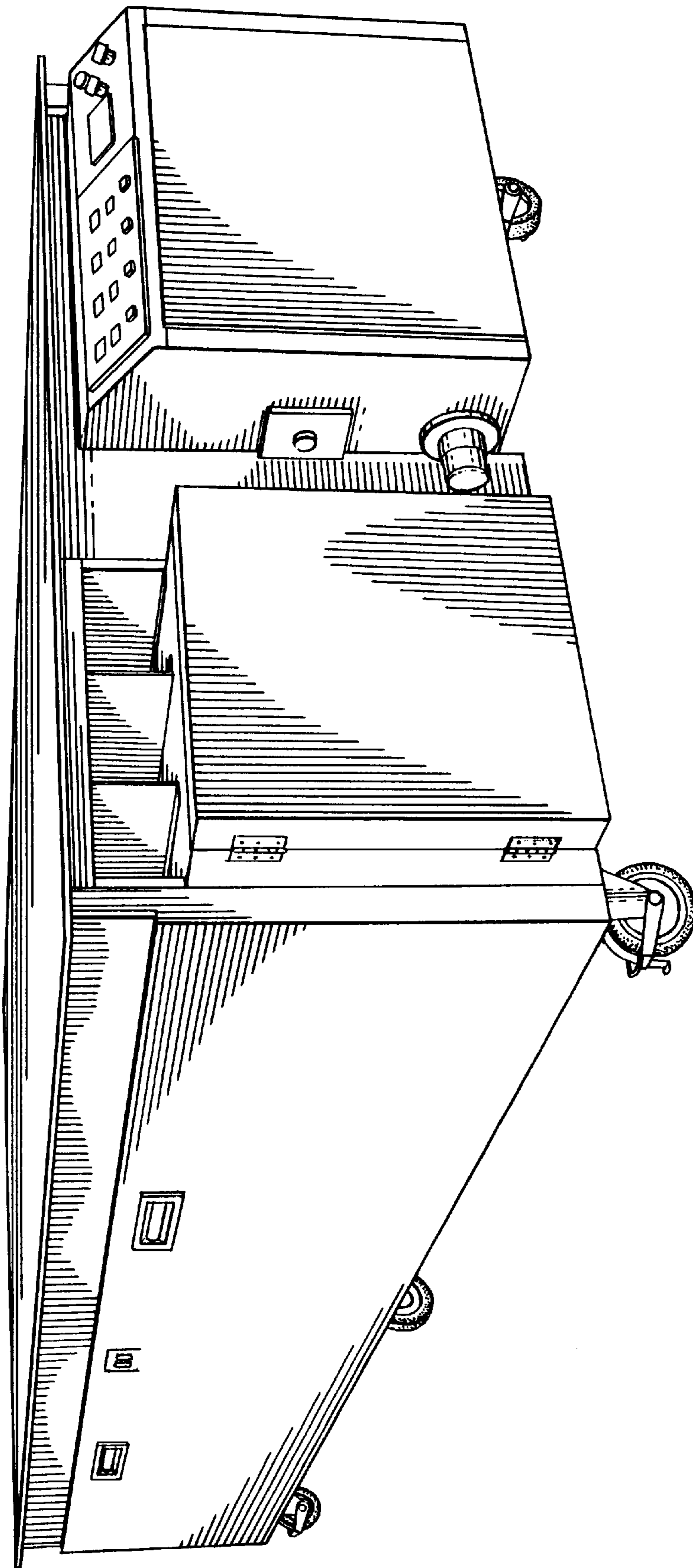
FIG. 5 is a front view thereof.

**1 Claim, 5 Drawing Sheets**

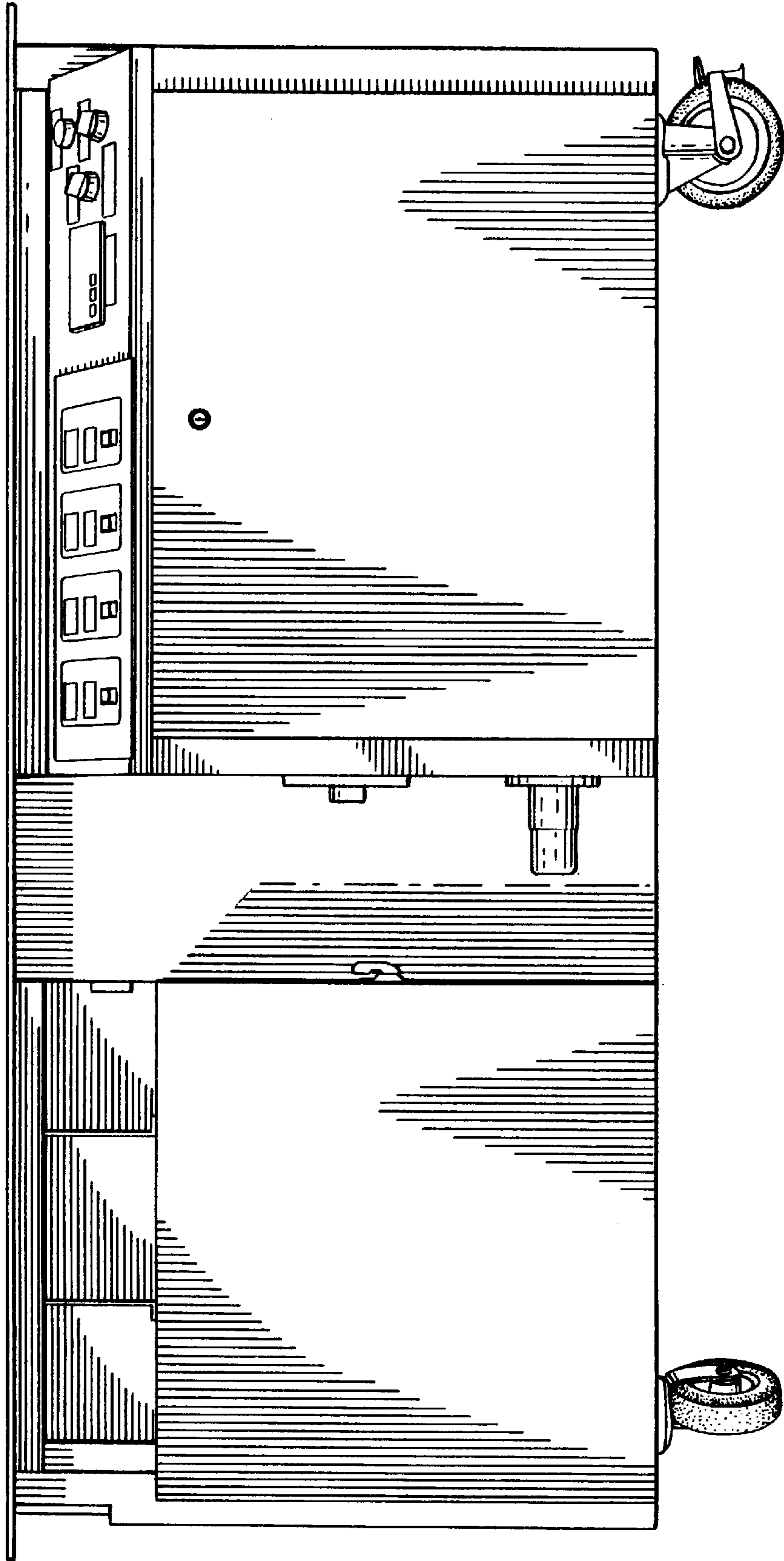




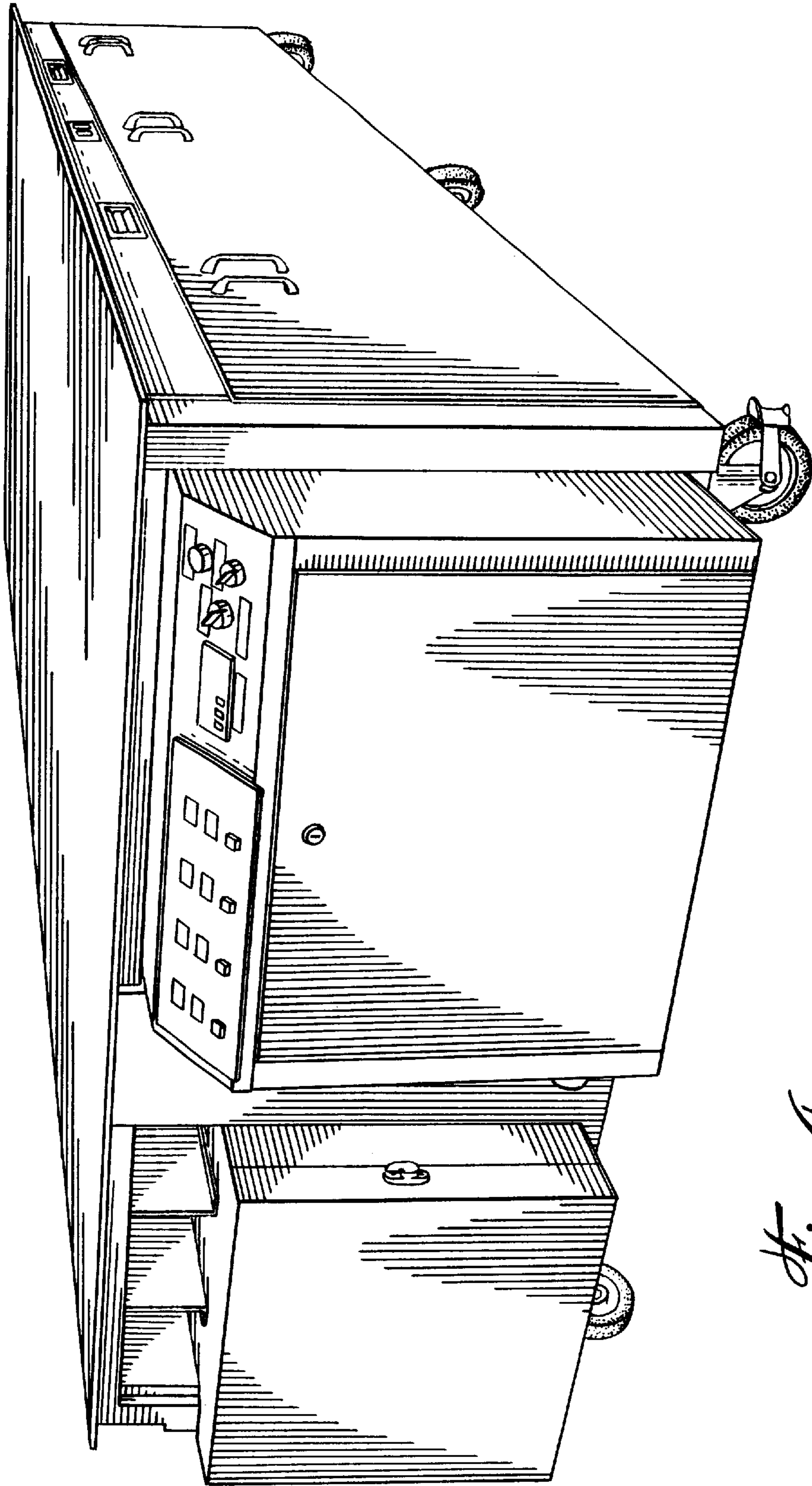
*Fig. 1*



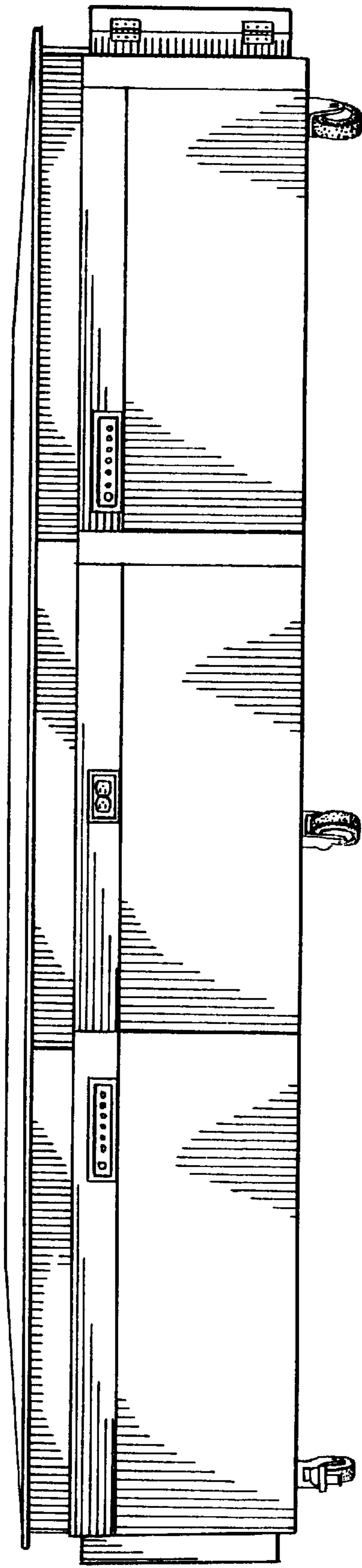
*Fig. 2*



*Fig. 3*



*Fig. 4*



*Fig. 5*