



US00D442967S

(12) **United States Design Patent**  
**Goto**

(10) **Patent No.:** **US D442,967 S**

(45) **Date of Patent:** **\*\* May 29, 2001**

(54) **SUPPORT BASE FOR AN ELECTRIC DEVICE SUCH AS A COMPUTER, TV CONTROLLER, VIDEO GAME MACHINE, OR AUDIO OR VIDEO DISC PLAYER**

4,856,659 \* 8/1989 Krebs .

**FOREIGN PATENT DOCUMENTS**

9602827 12/1996 (DE) .

1035752 4/1999 (JP) .

**OTHER PUBLICATIONS**

“InfoMac,” MACWORLD Expo Taiwan, Feb. 1996.

“The Third Wave,” p. 38, May 1998.

“Storage Plus,” p. 408, Computer Product, Jan. 1996.

“PlayStation2” Atari, FALCON 040 (1993), Oct. 1999, <http://www.iris.dti.ne.jp/~spe/game/ps2/ps2.htm>.

“ATARI FALCON 030” Atari MicroBox, <http://www.best.com/~hmk/afcon.htm>, 1993.

\* cited by examiner

*Primary Examiner*—M. H. Tung

(74) *Attorney, Agent, or Firm*—Rader, Fishman & Grauer

(75) **Inventor:** **Teiyu Goto, Tokyo (JP)**

(73) **Assignee:** **Sony Computer Entertainment Inc., Tokyo (JP)**

(\*\*) **Term:** **14 Years**

(21) **Appl. No.:** **29/115,724**

(22) **Filed:** **Dec. 21, 1999**

(30) **Foreign Application Priority Data**

Aug. 26, 1999 (JP) ..... 11-22654

(51) **LOC (7) Cl.** ..... **14-02**

(52) **U.S. Cl.** ..... **D14/447**

(58) **Field of Search** ..... D14/439-47, 217, D14/239, 299, 126; D21/324, 333; D13/184, 199; D6/449, 491, 445, 396, 512; 248/125.1, 127, 133, 177.1, 178.1, 179.1, 183.1, 346.01, 346.02, 188.2, 917-24; 200/5 R, 5 A, 6 R, 6 A; 361/679-85

(56) **References Cited**

**U.S. PATENT DOCUMENTS**

- D. 270,026 \* 8/1983 Whitford .
- D. 287,365 \* 12/1986 Judd .
- D. 330,021 \* 10/1992 Kline et al. .
- D. 330,705 \* 11/1992 Gowda et al. .
- D. 338,882 \* 8/1993 Reiter .
- D. 349,696 \* 8/1994 Hames .
- D. 350,536 9/1994 NcKnight et al. .... D14/114
- D. 361,561 \* 8/1995 Baudot .
- D. 362,245 \* 9/1995 Moffatt .
- D. 383,728 9/1997 Yurkonis et al. .... D14/100
- D. 416,878 \* 11/1999 Yeh et al. .

(57) **CLAIM**

The ornamental design for a support base for an electric device such as a computer, TV controller, video game machine, or audio or video disc player, as shown and described.

**DESCRIPTION**

FIG. 1 is a perspective view of a support base for an electric device such as a computer, TV controller, video game machine, or audio or video disc player showing my new design, on a reduced scale;

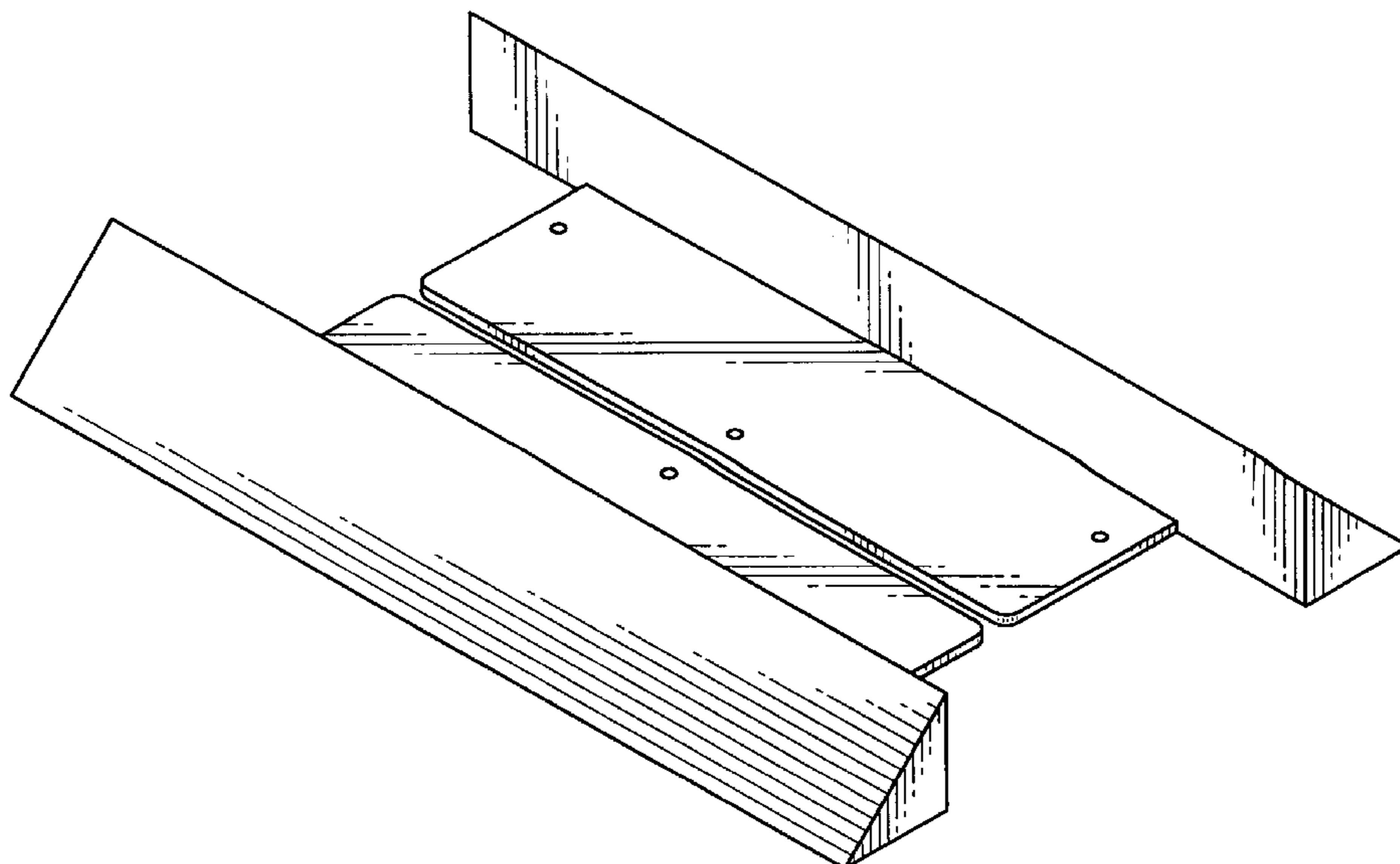
FIG. 2 is a top plan view thereof;

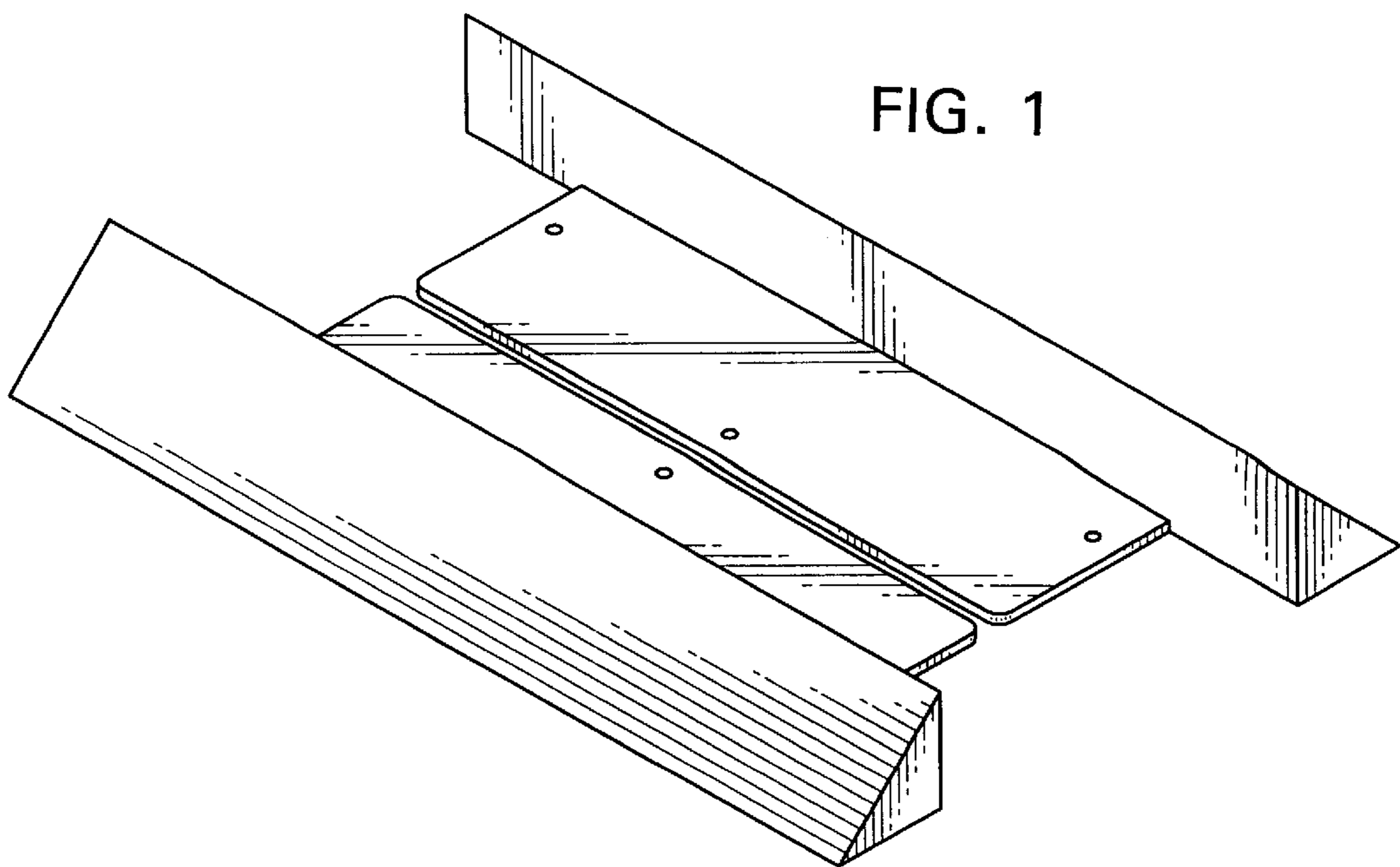
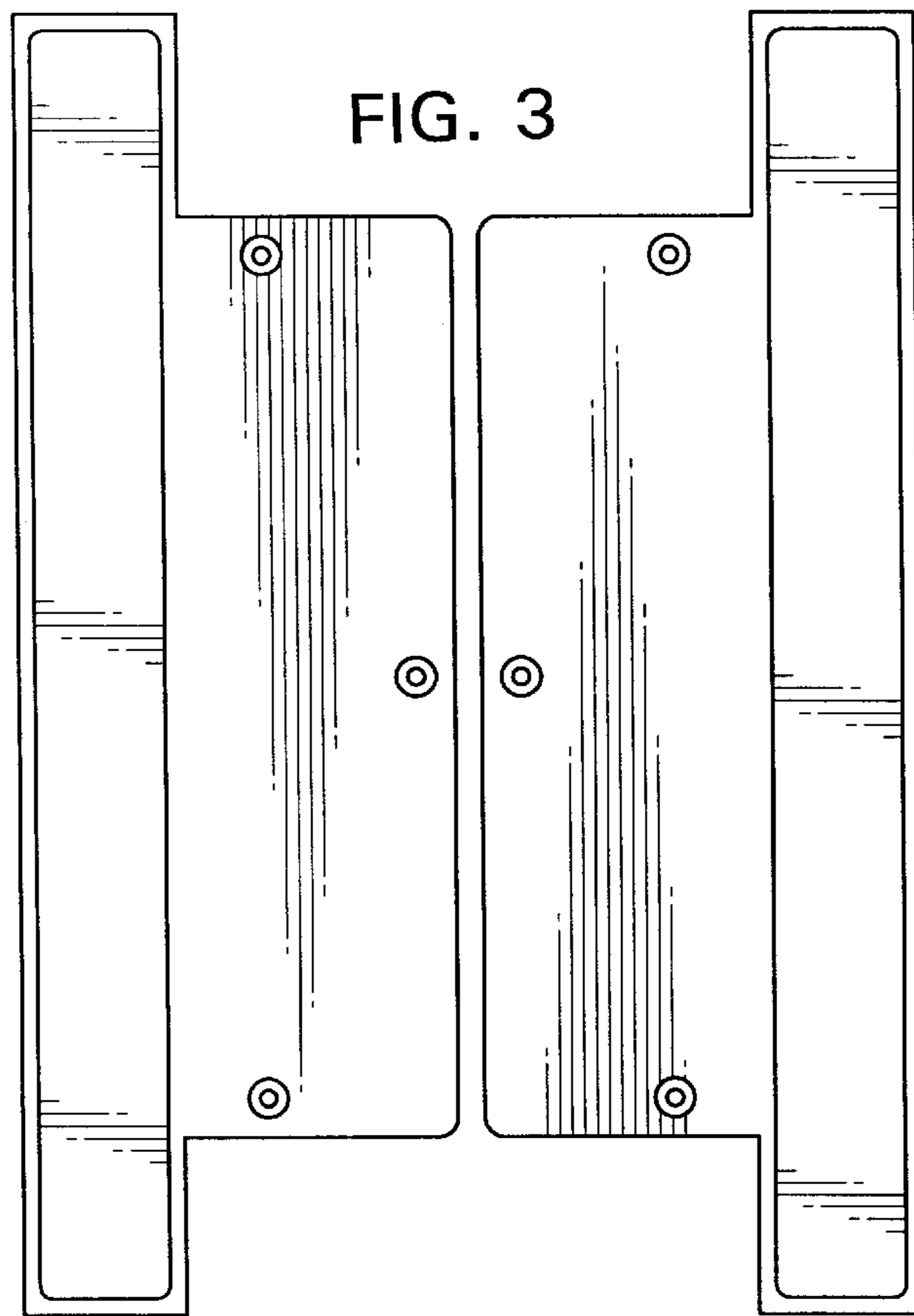
FIG. 3 is a bottom plan view thereof;

FIG. 4 is a front elevational view thereof, a rear elevational view being a mirror image of the front elevational view; and,

FIG. 5 is a right side elevational view thereof, a left side elevational view being a mirror image of the right side elevational view.

**1 Claim, 2 Drawing Sheets**





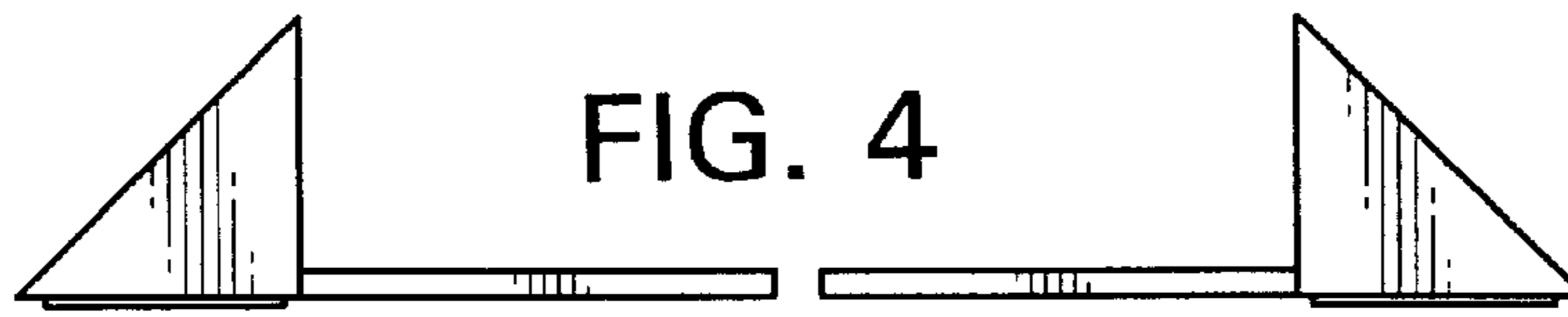


FIG. 4

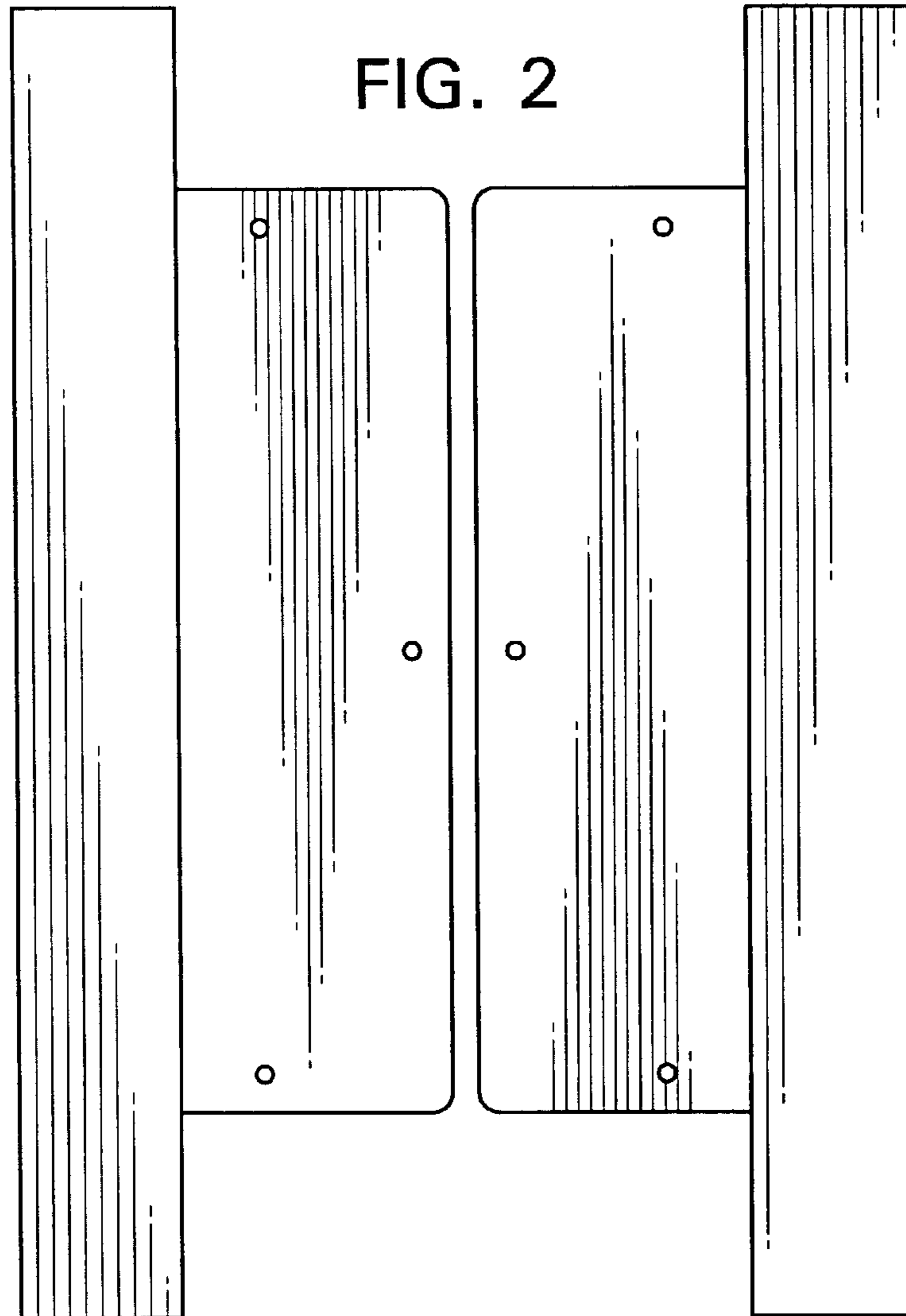


FIG. 2

FIG. 5

