



US00D442964S

(12) **United States Design Patent**
Ohtani

(10) **Patent No.:** **US D442,964 S**

(45) **Date of Patent:** **** May 29, 2001**

(54) **LOWER METAL COVER FOR COMPACT FLASH CARD**

(75) **Inventor:** **Yutaka Ohtani, Tokyo (JP)**

(73) **Assignee:** **Honda Tsushin Kogyo Co., Ltd., Tokyo (JP)**

(**) **Term:** **14 Years**

(21) **Appl. No.:** **29/118,132**

(22) **Filed:** **Feb. 7, 2000**

(30) **Foreign Application Priority Data**

Oct. 5, 1999 (JP) 11-26887

(51) **LOC (7) Cl.** **14-02**

(52) **U.S. Cl.** **D14/436**

(58) **Field of Search** D14/935-8; D19/9-10;
40/124.01; 283/75-77, 48.1, 83, 107, 901;
235/382.5, 375, 487-94, 441-3; 361/736-7,
752; D13/182; 174/52.1; 439/152

(56) **References Cited**

U.S. PATENT DOCUMENTS

- D. 320,225 * 9/1991 Ido et al. .
- D. 370,904 * 6/1996 Nakata et al. .
- D. 375,941 * 11/1996 Kerklaan .
- D. 398,604 * 9/1998 Aoki .
- D. 405,441 * 2/1999 Saito et al. .
- D. 410,913 * 6/1999 Saito et al. .

- D. 414,481 * 9/1999 Wu .
- D. 415,132 * 10/1999 Homma et al. .
- D. 416,884 * 11/1999 Hirai et al. .
- D. 416,885 * 11/1999 Hirai et al. .
- D. 416,886 * 11/1999 Hirai et al. .
- 4,149,027 * 4/1979 Asher et al. .
- 4,941,835 * 7/1990 Lasmayoux et al. .
- 5,038,250 * 9/1991 Uenaka et al. .
- 5,107,073 * 4/1992 Steffen .
- 5,242,310 * 9/1993 Leung .
- 5,397,857 * 3/1995 Farquhar et al. .

* cited by examiner

Primary Examiner—M. H. Tung

(74) *Attorney, Agent, or Firm*—Arent Fox Kitner Plotkin & Kahn PLLC

(57) **CLAIM**

The original design for lower metal cover for compact flash card, as shown and described.

DESCRIPTION

FIG. 1 is a perspective view of the lower metal cover for compact flash card showing my new design;
 FIG. 2 is a front elevational view thereof;
 FIG. 3 is a rear elevational view thereof;
 FIG. 4 is a right side elevational view thereof, the left side is a mirror image;
 FIG. 5 is a top plan view thereof; and,
 FIG. 6 is a bottom plan view thereof.

1 Claim, 2 Drawing Sheets

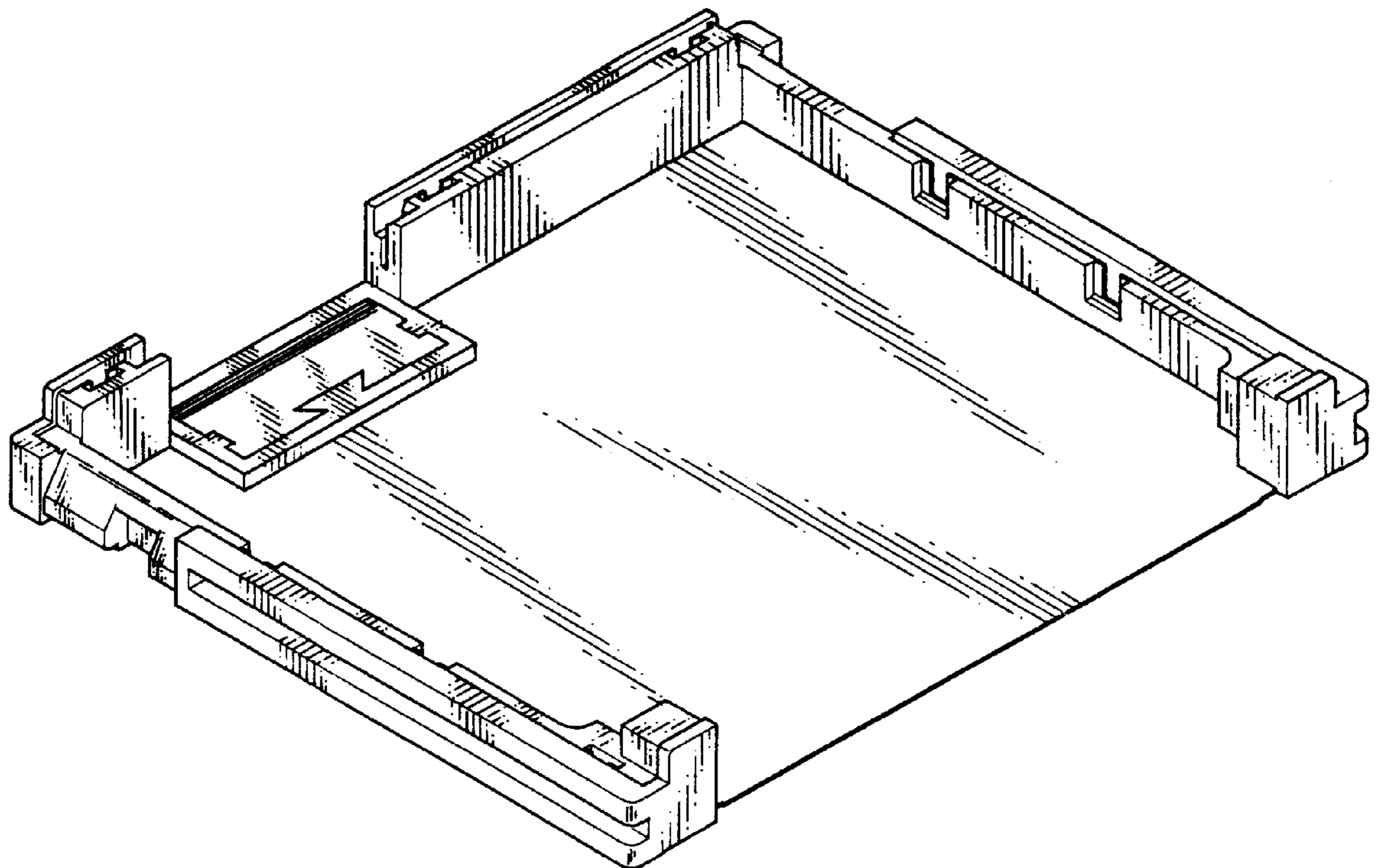


FIG. 1

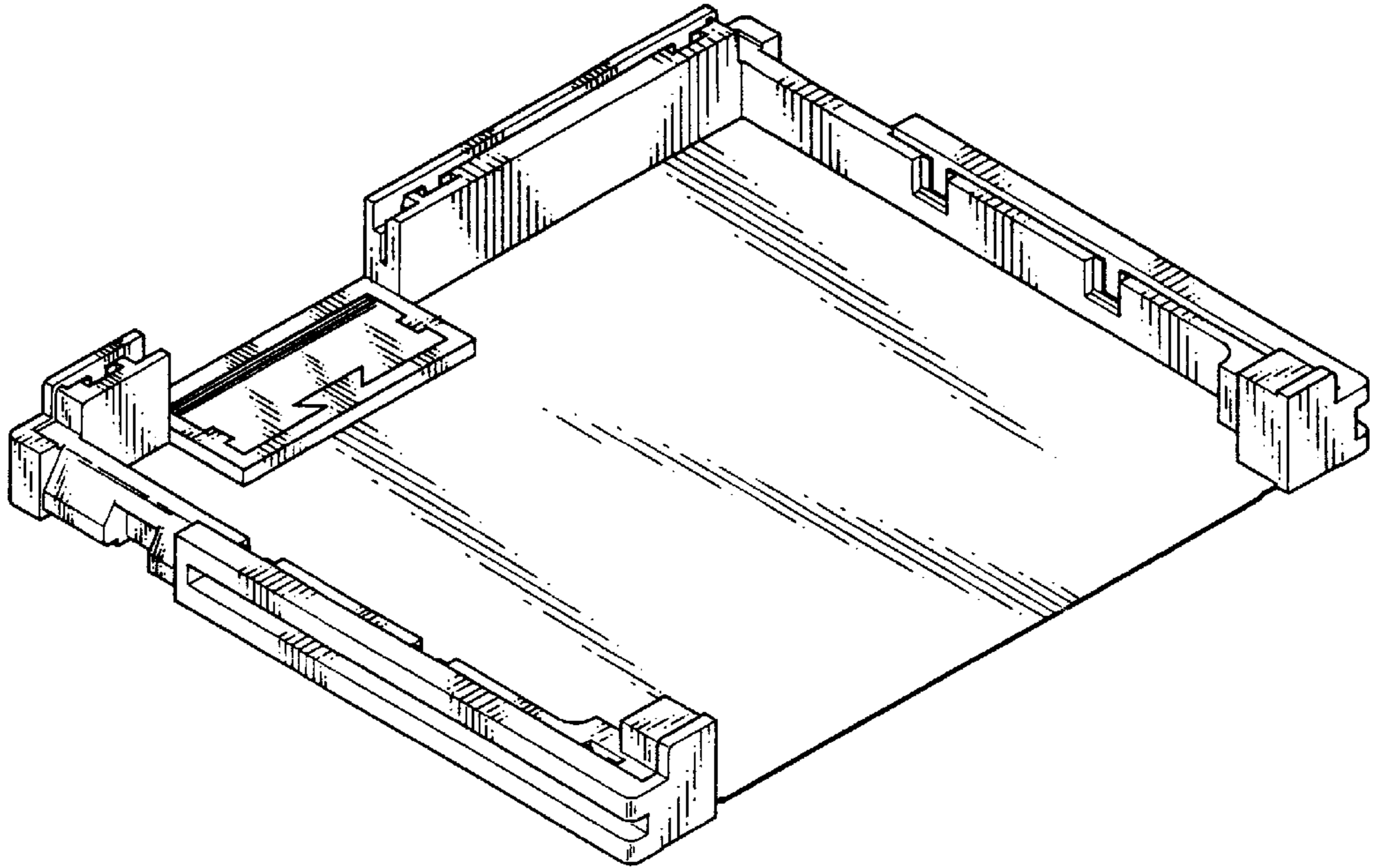


FIG. 2

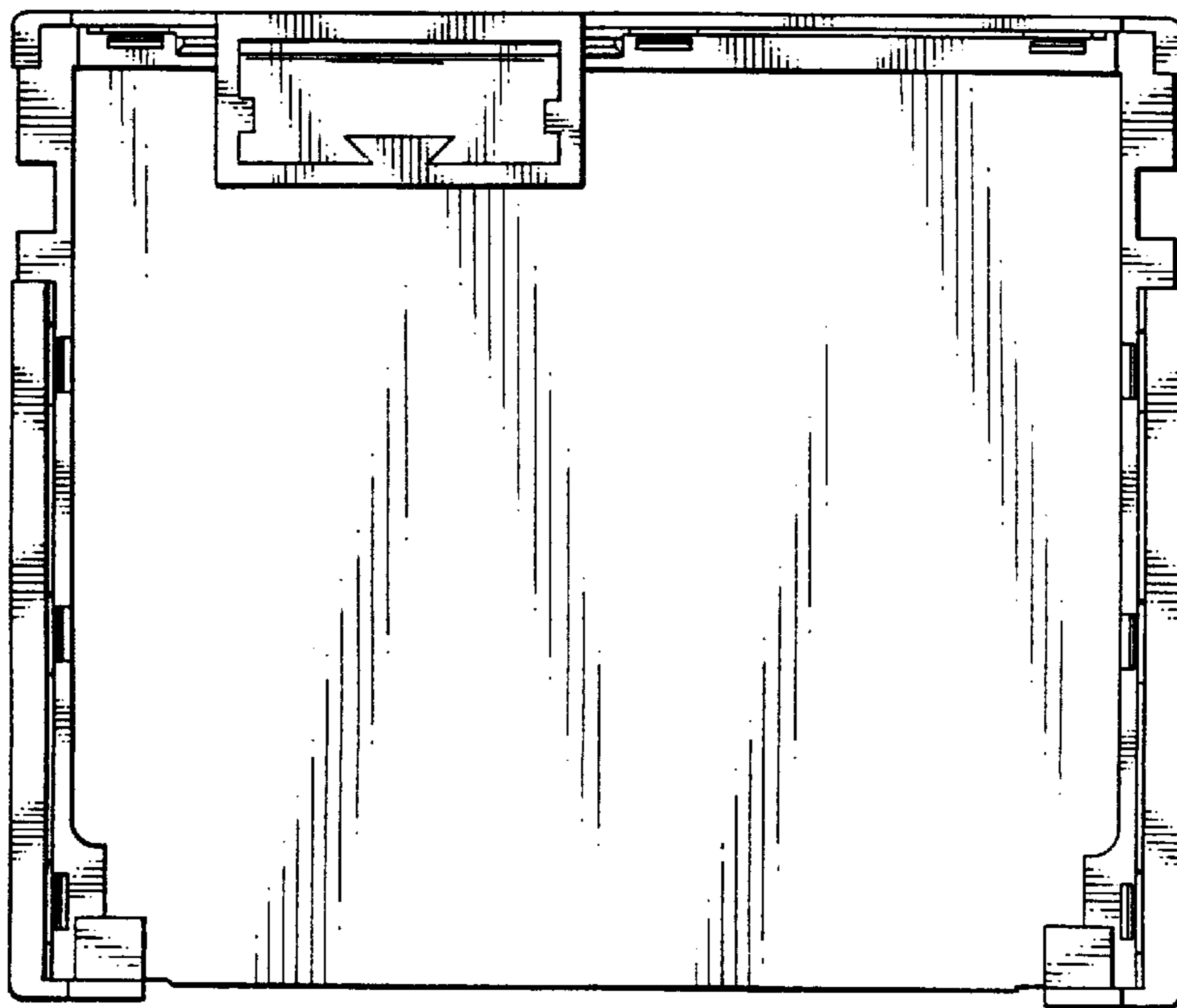


FIG. 3

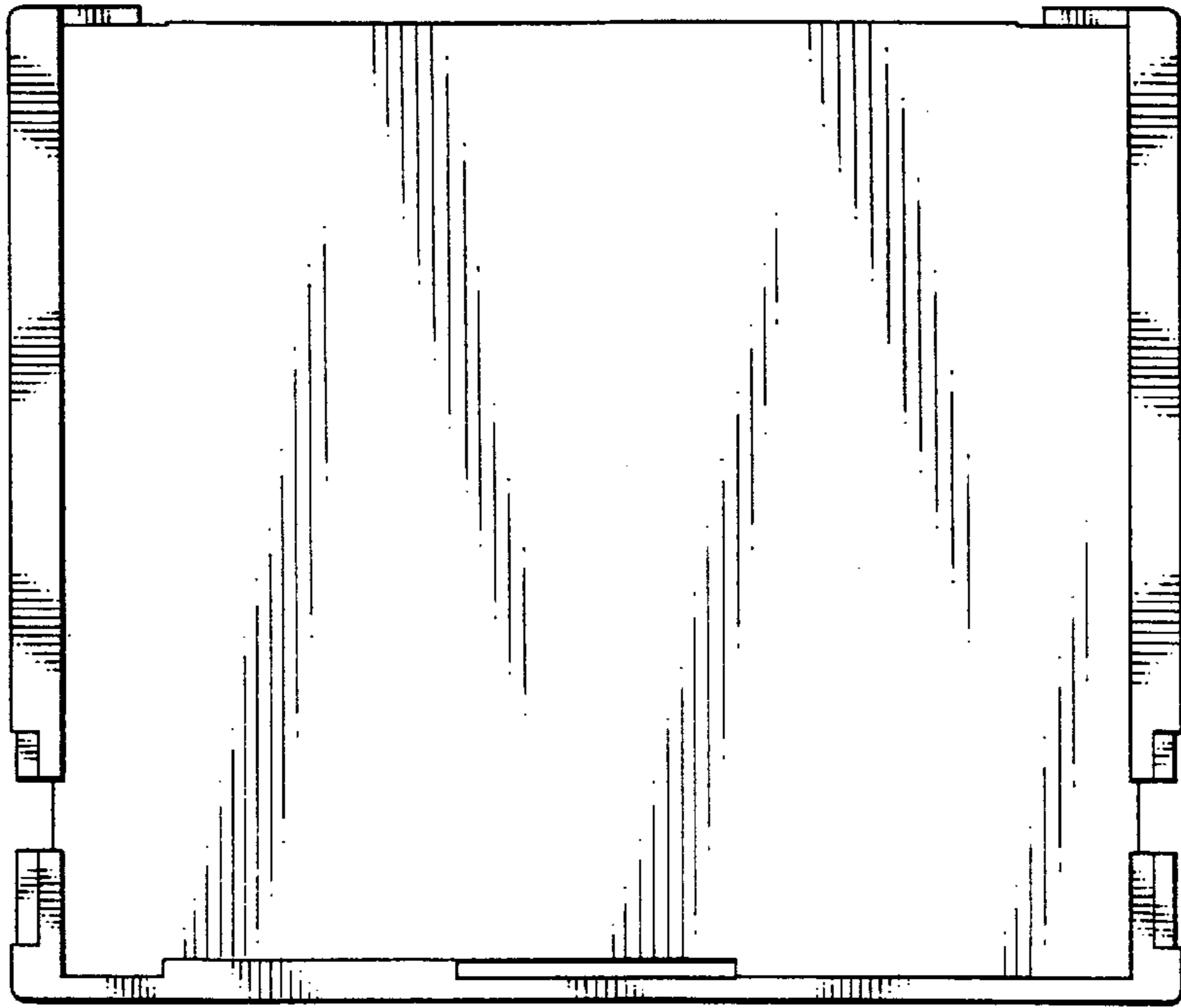


FIG. 4



FIG. 5

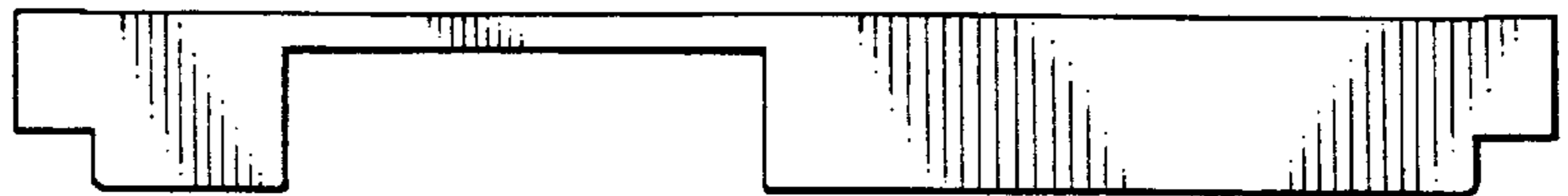


FIG. 6

