



US00D442960S

(12) **United States Design Patent**  
**Brulotte et al.**

(10) **Patent No.:** **US D442,960 S**

(45) **Date of Patent:** **\*\* May 29, 2001**

(54) **GAME CONTROLLER**

(75) Inventors: **Marc Brulotte; Jason Gosior; Kip Hampson; John Sobota; Hee-Jong Yu,**  
all of Edmonton (CA)

(73) Assignee: **Eleven Engineering Incorporated,**  
Alberta (CA)

(\*\*) Term: **14 Years**

(21) Appl. No.: **29/122,902**

(22) Filed: **May 5, 2000**

(30) **Foreign Application Priority Data**

May 4, 2000 (CA) ..... 2000-1126

(51) **LOC (7) Cl.** ..... **21-01**

(52) **U.S. Cl.** ..... **D14/415**

(58) **Field of Search** ..... D14/400, 401,  
D14/412-416; D21/324, 333; 273/148 B;  
463/1, 30, 36-38, 46, 47; 345/156-161,  
905

(56) **References Cited**

**U.S. PATENT DOCUMENTS**

Re. 36,574 2/2000 Hochstein et al. .  
D. 410,914 \* 6/1999 Tyler et al. .... D14/401  
D. 415,752 \* 10/1999 Tyler et al. .... D14/401

4,531,740 7/1985 Green et al. .  
4,569,026 2/1986 Best .  
4,870,389 \* 9/1989 Ishiwata et al. .... 273/148 B X  
5,207,426 \* 5/1993 Inoue et al. .... 463/36  
5,903,257 \* 6/1999 Nishiumi et al. .... 345/157  
5,971,855 10/1999 Ng .

**FOREIGN PATENT DOCUMENTS**

30 09 040 A1 9/1981 (DE) .  
2 287 115 9/1995 (GB) .

\* cited by examiner

*Primary Examiner*—Prabhakar Deshmukh

(74) *Attorney, Agent, or Firm*—Rodman & Rodman

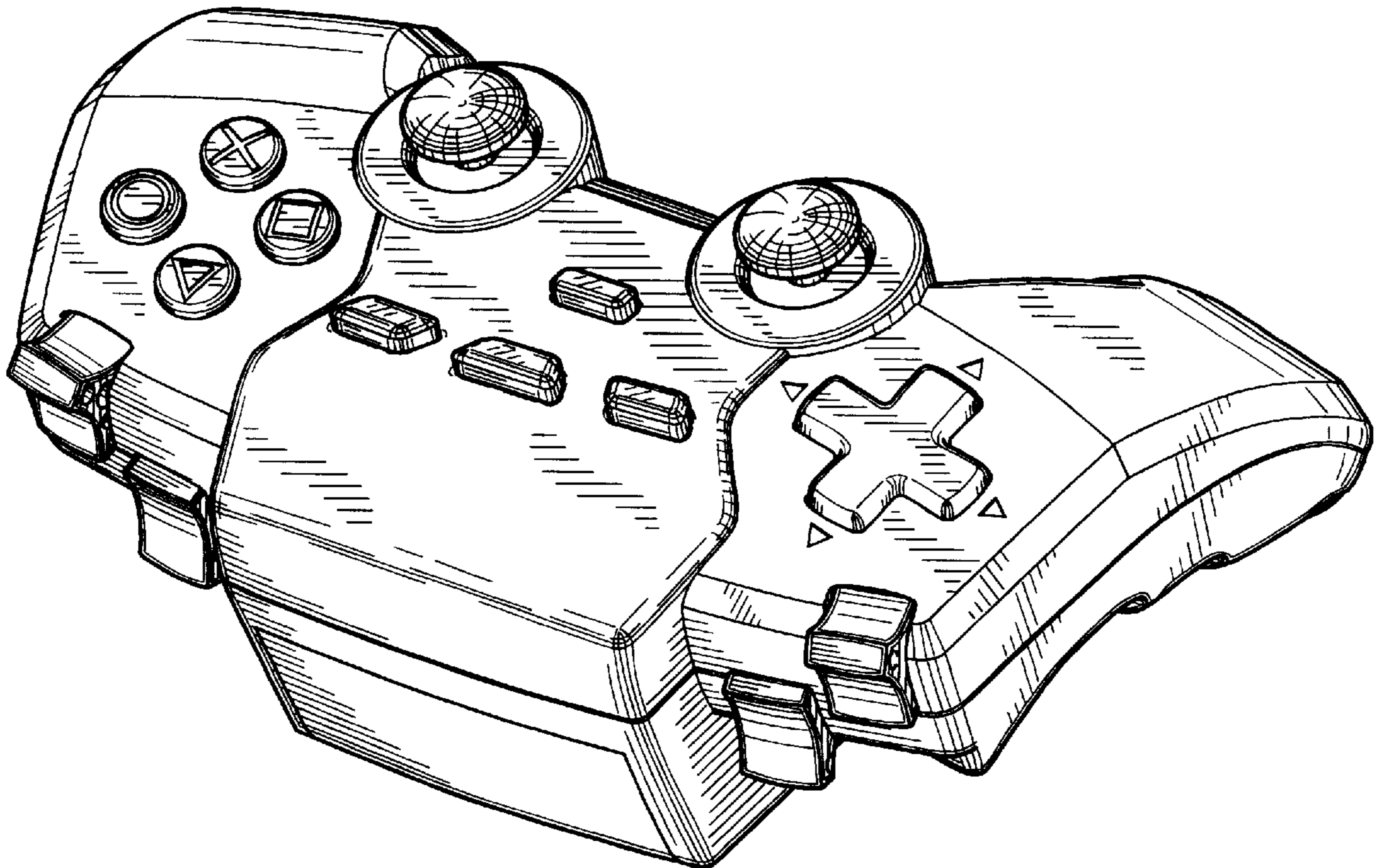
(57) **CLAIM**

The ornamental design for a game controller, as shown and described.

**DESCRIPTION**

FIG. 1—is a top view of the game controller;  
FIG. 2—is a top perspective view of the game controller;  
FIG. 3—is a front view of the game controller;  
FIG. 4—is a left side view of the game controller;  
FIG. 5—is a bottom perspective view of the game controller;  
FIG. 6—is a bottom view of the game controller;  
FIG. 7—is a right side view of the game controller; and,  
FIG. 8—is a back view of the game controller.

**1 Claim, 4 Drawing Sheets**



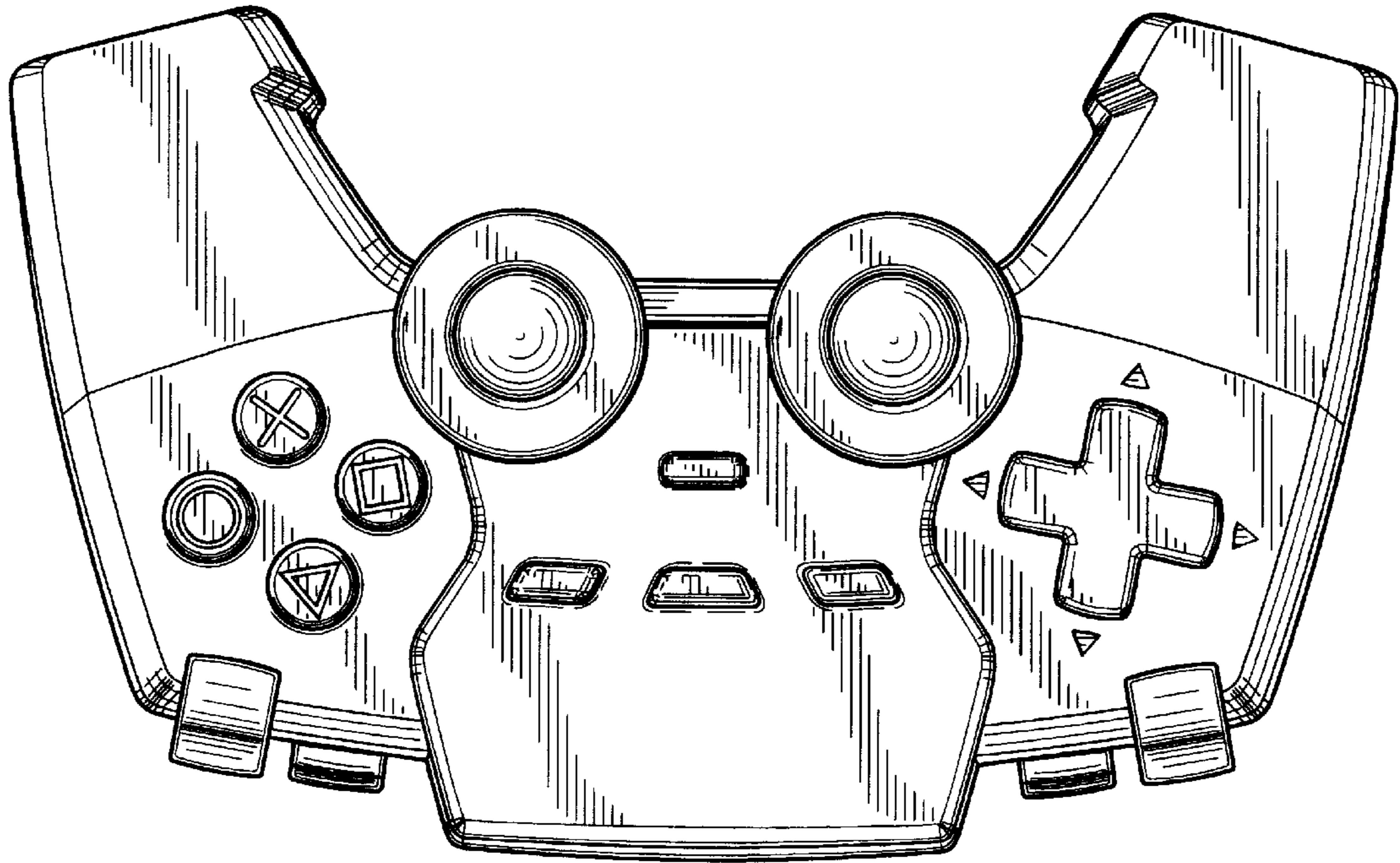


FIG. 1

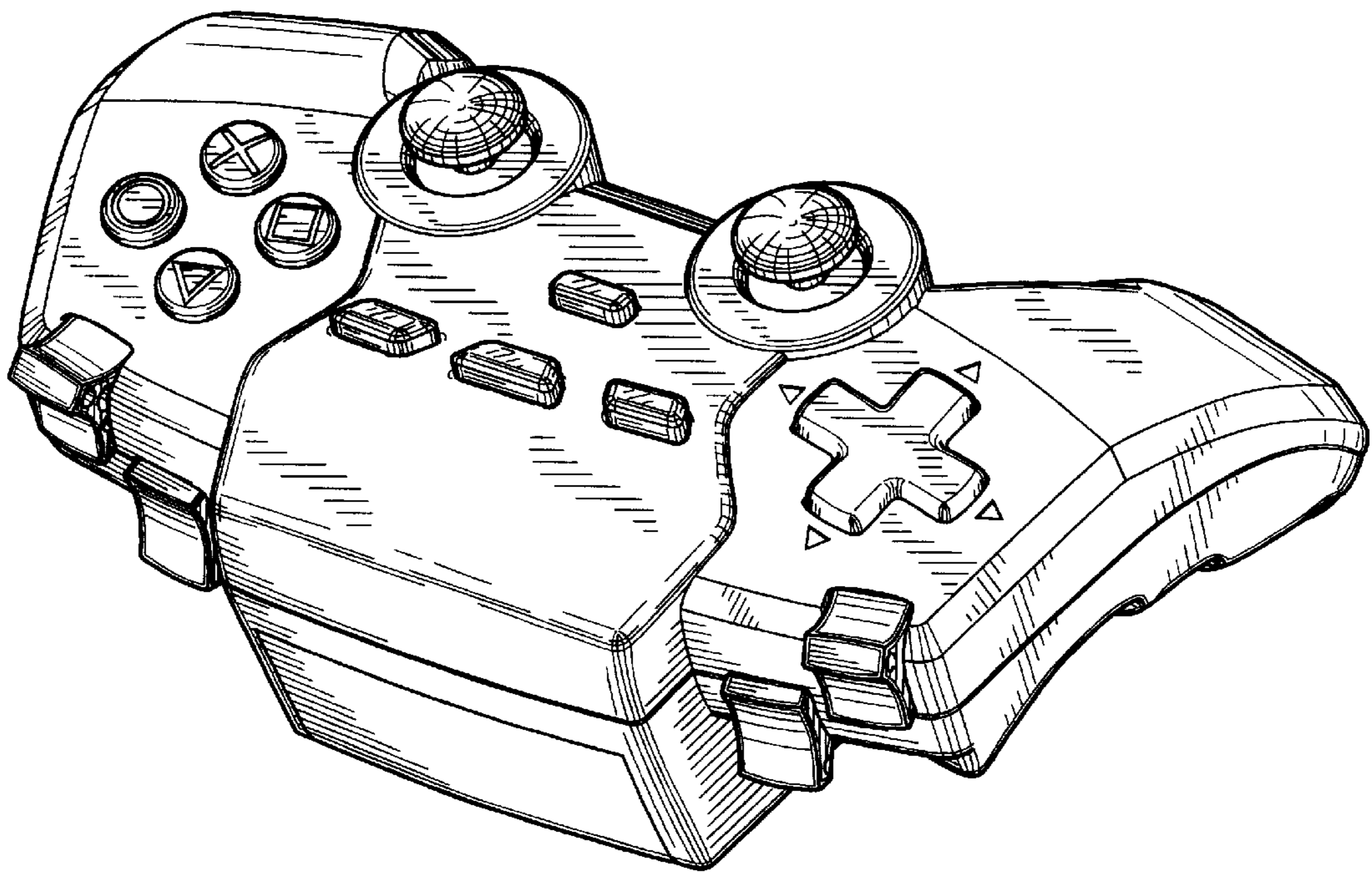


FIG. 2

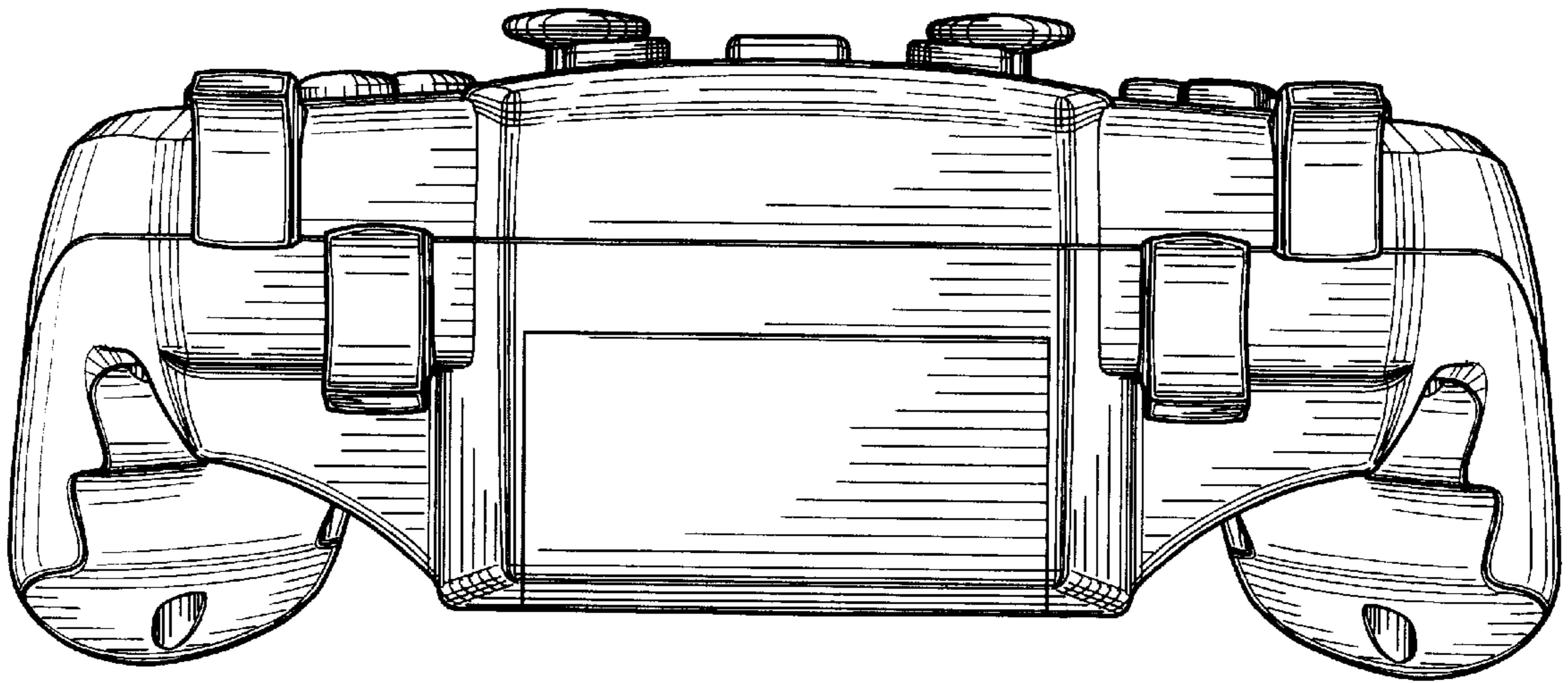


FIG. 3

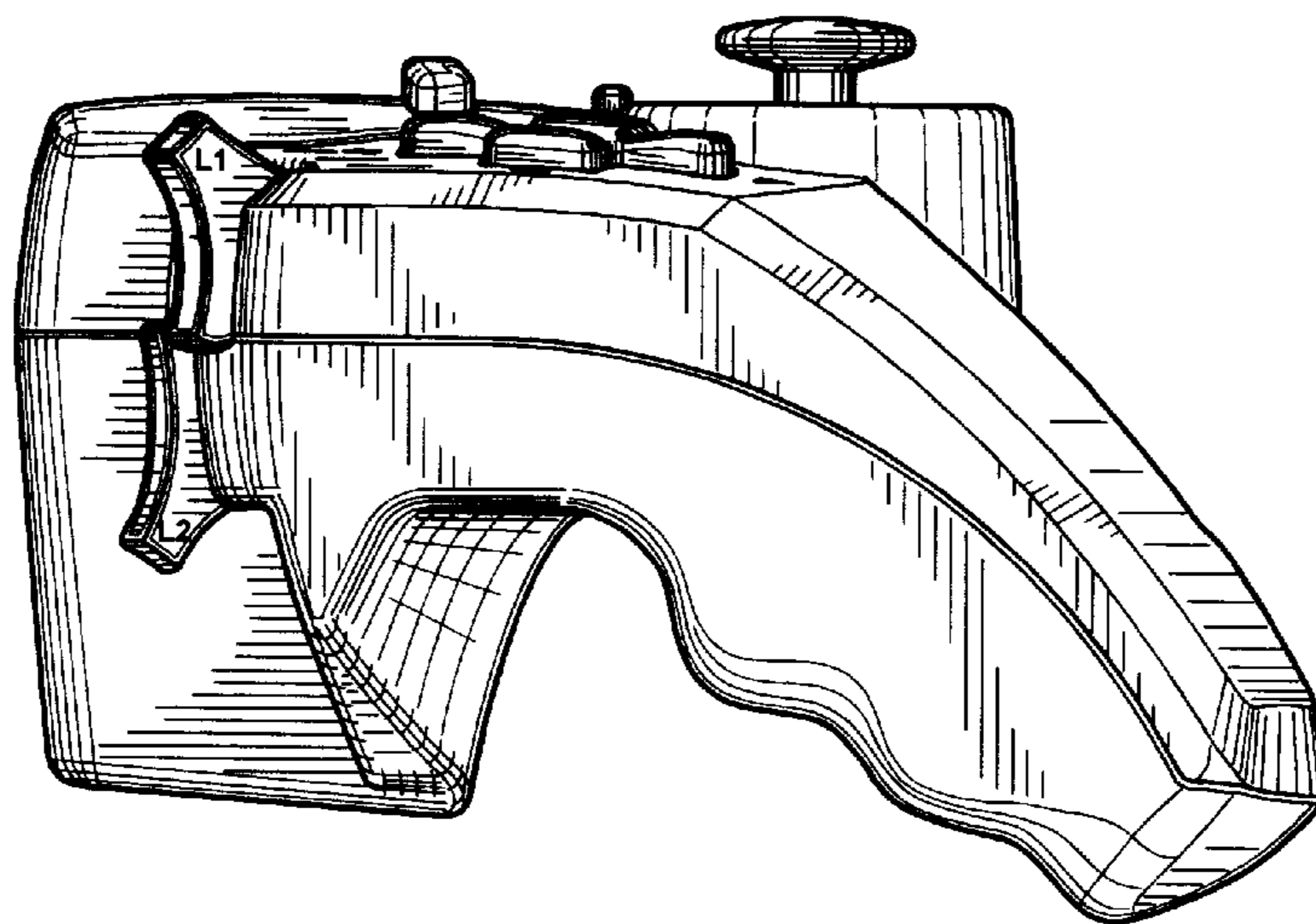


FIG. 4

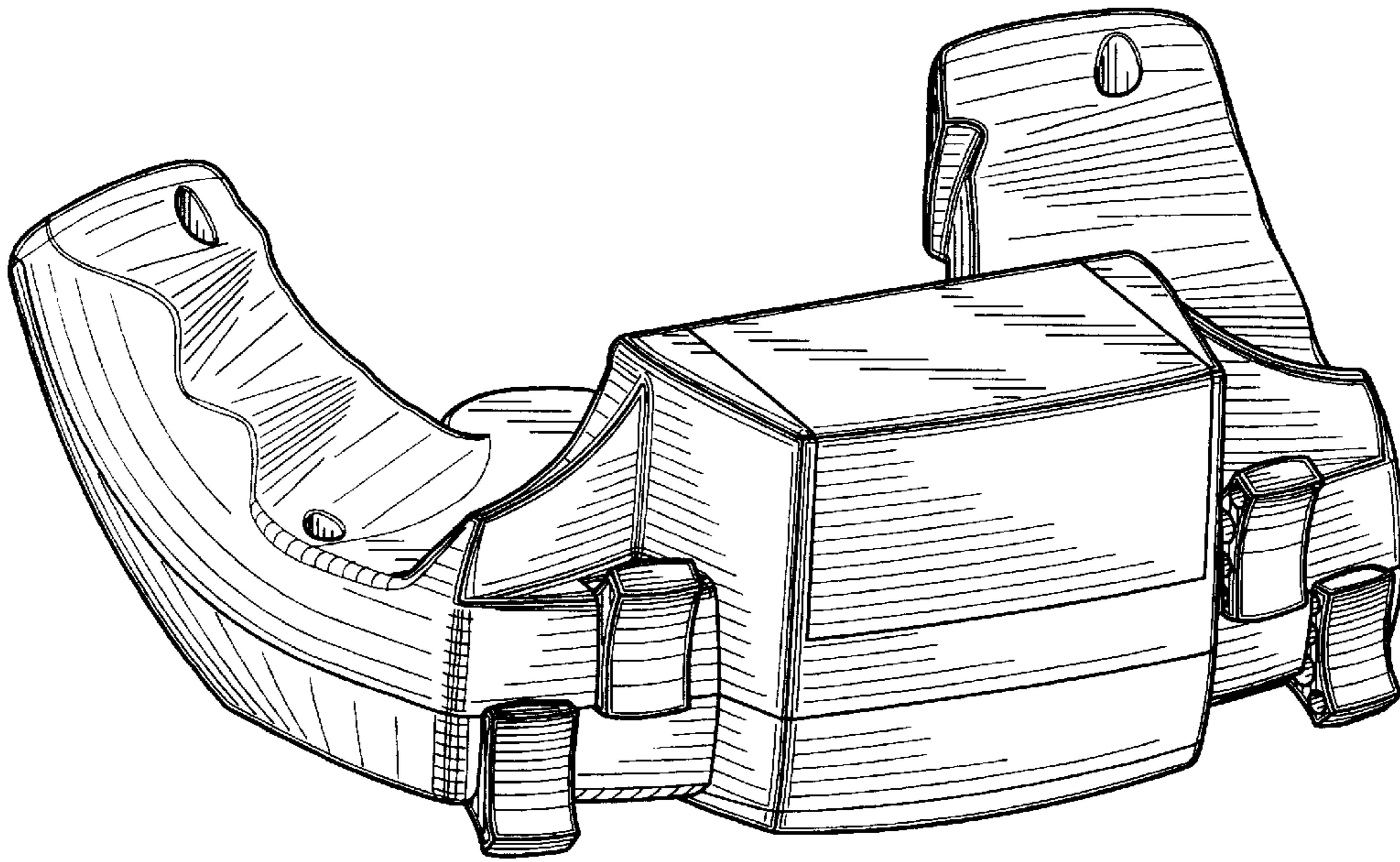


FIG. 5

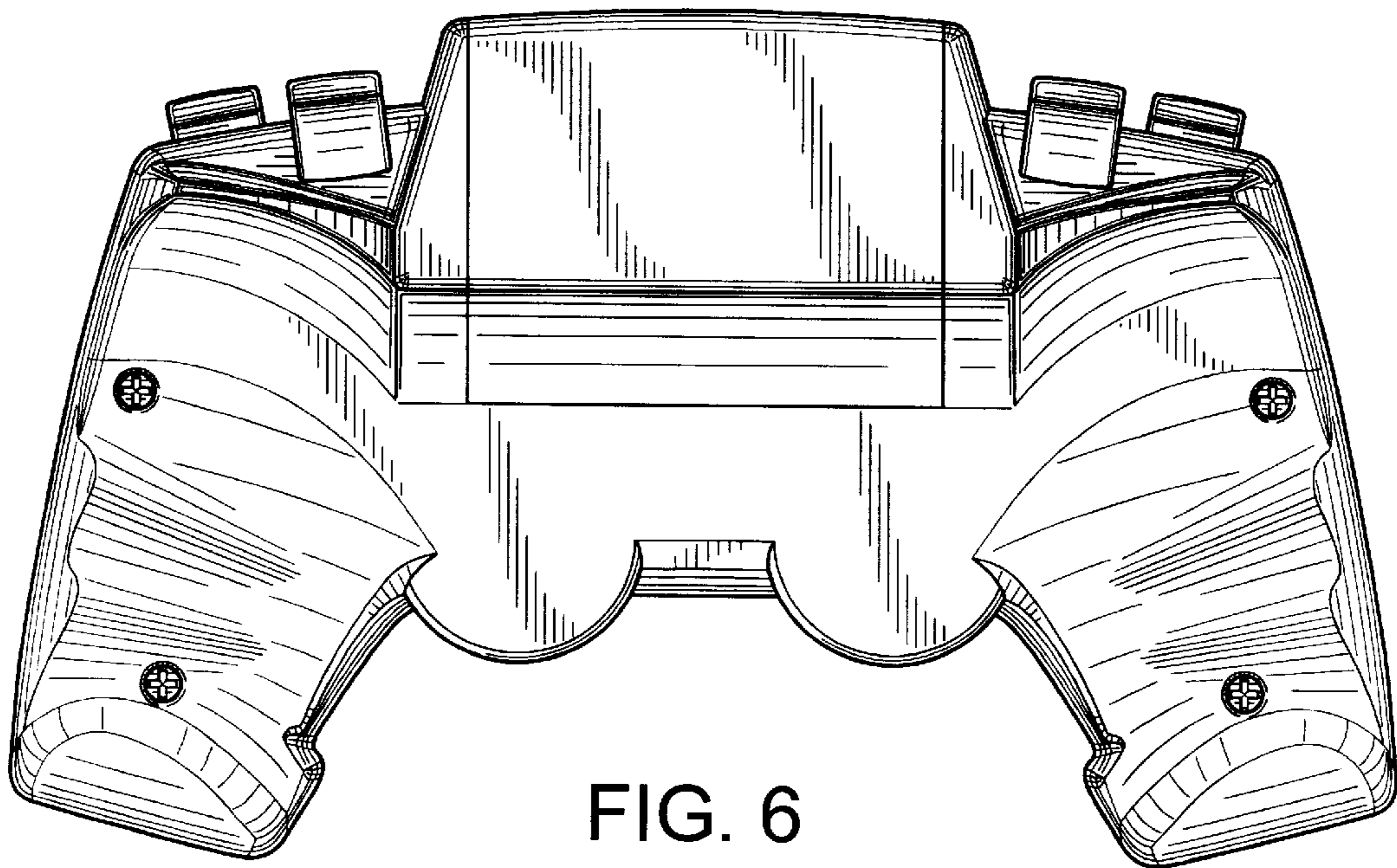


FIG. 6

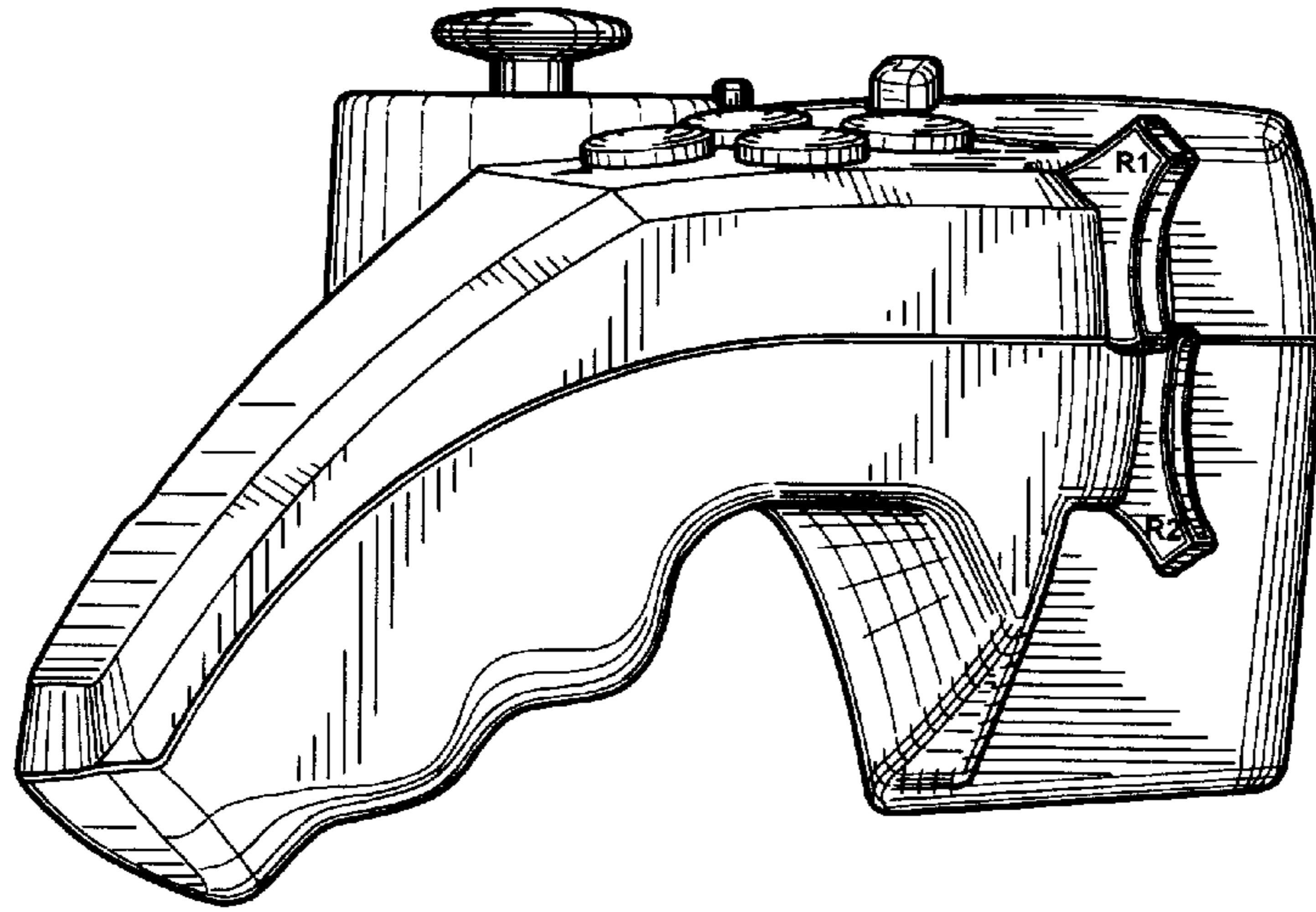


FIG. 7

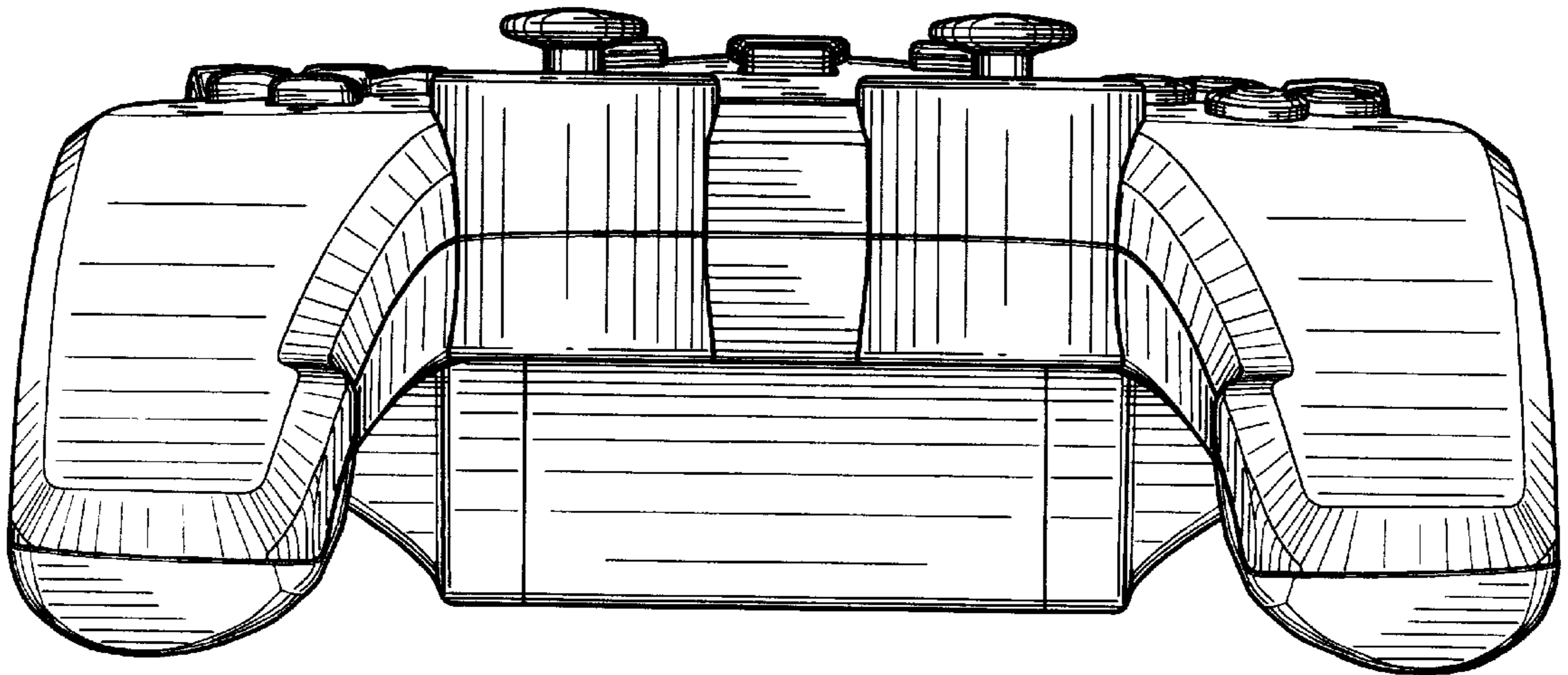


FIG. 8