



US00D442955S

(12) **United States Design Patent**
Reynolds et al.

(10) **Patent No.:** **US D442,955 S**

(45) **Date of Patent:** **** May 29, 2001**

(54) **COMPUTER DATA STORAGE DEVICE**

(75) Inventors: **Douglas S. Reynolds**, Clinton, UT (US); **Jonathan Guerra**, San Francisco, CA (US); **Monte Larsen**, West Point; **Kevin G. Dalb**, Kaysville, both of UT (US)

(73) Assignee: **Iomega Corporation**, Roy, UT (US)

(**) Term: **14 Years**

(21) Appl. No.: **29/115,879**

(22) Filed: **Dec. 22, 1999**

(51) **LOC (7) Cl.** **14-02**

(52) **U.S. Cl.** **D14/356**

(58) **Field of Search** D14/354, 356, D14/363, 434; D13/162, 184, 199; 312/223.2; 360/99.12; 369/34, 36

(56) **References Cited**

U.S. PATENT DOCUMENTS

- D. 361,758 * 8/1995 Youens et al. D14/434
- D. 361,987 * 9/1995 Yamazaki D14/434
- D. 364,853 * 12/1995 Ojeda D14/434
- D. 375,728 11/1996 Nicklos et al. D14/442
- D. 377,008 12/1996 Nicklos et al. D14/368
- D. 405,064 * 2/1999 Iino D14/434

- D. 412,318 7/1999 Nicklos et al. D14/368
- D. 413,312 * 8/1999 Suzuki D14/434
- D. 416,545 11/1999 Nicklos et al. D14/368

* cited by examiner

Primary Examiner—Freda Nunn

(74) *Attorney, Agent, or Firm*—Woodcock Washburn Kurtz Mackiewicz & Norris LLP

(57) **CLAIM**

The ornamental design for a computer data storage device, as shown and described.

DESCRIPTION

FIG. 1 is a top perspective view of a computer data storage device depicting our new design;

FIG. 2 is a top plan view of the embodiment shown in FIG. 1;

FIG. 3 is a bottom plan view of the embodiment shown in FIGS. 1 and 2;

FIG. 4 is a front elevational view of the embodiment shown in FIGS. 1-3;

FIG. 5 is a rear elevational view of the embodiment shown in FIGS. 1-4; and,

FIG. 6 is a side elevational view of the embodiment shown in FIGS. 1-5, the opposite side elevational view being the same.

1 Claim, 4 Drawing Sheets

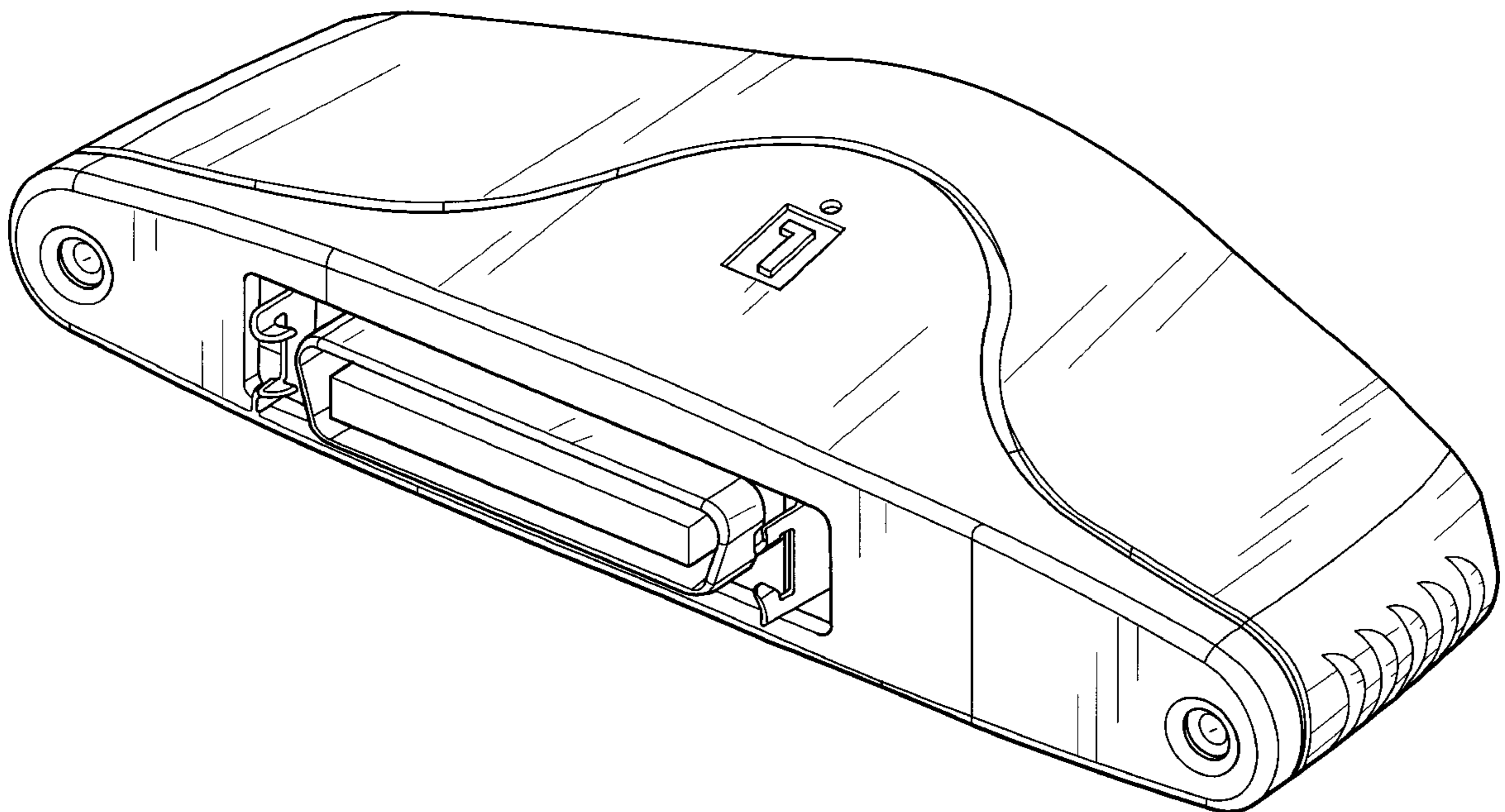
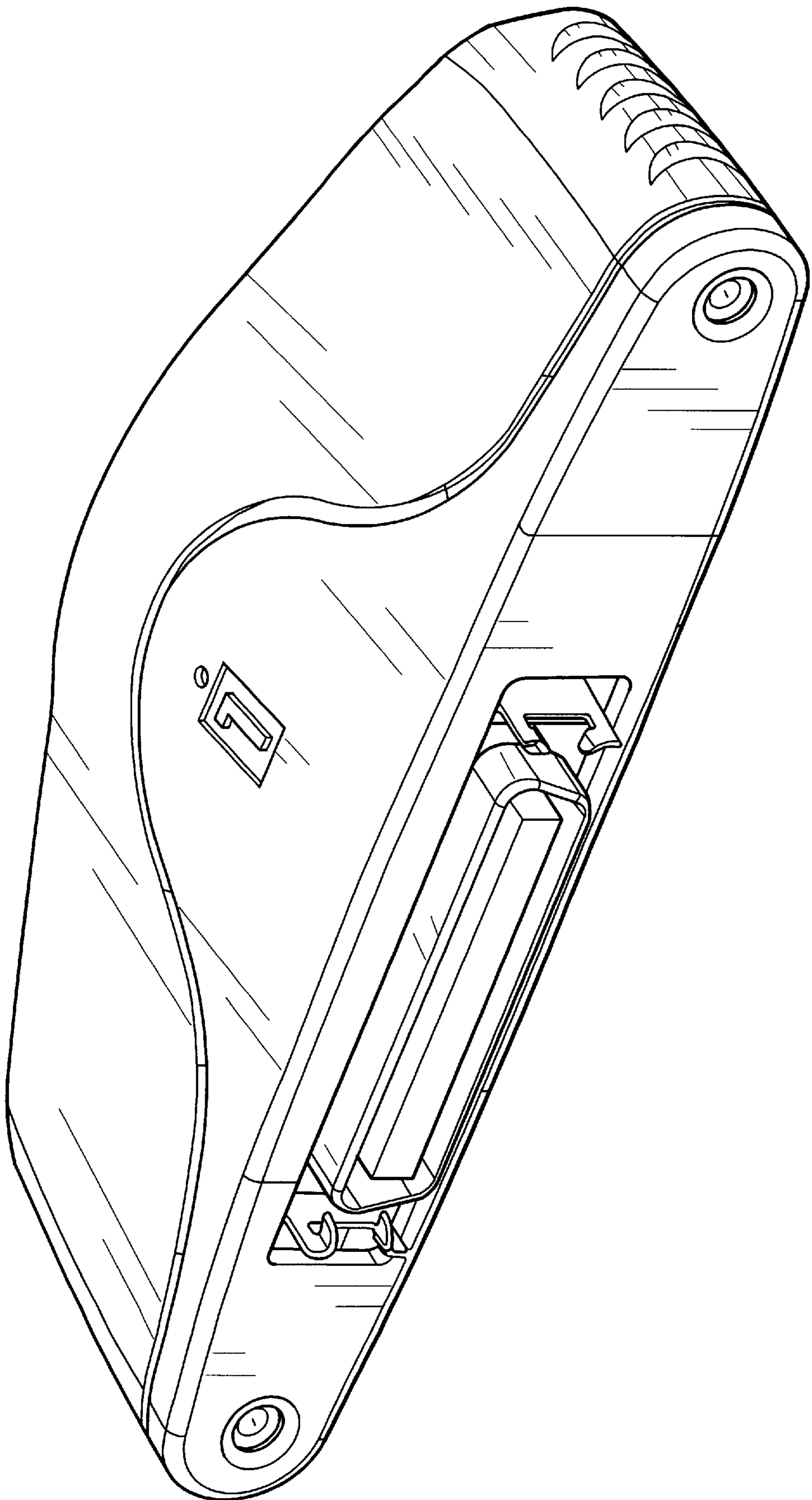


FIG. 1



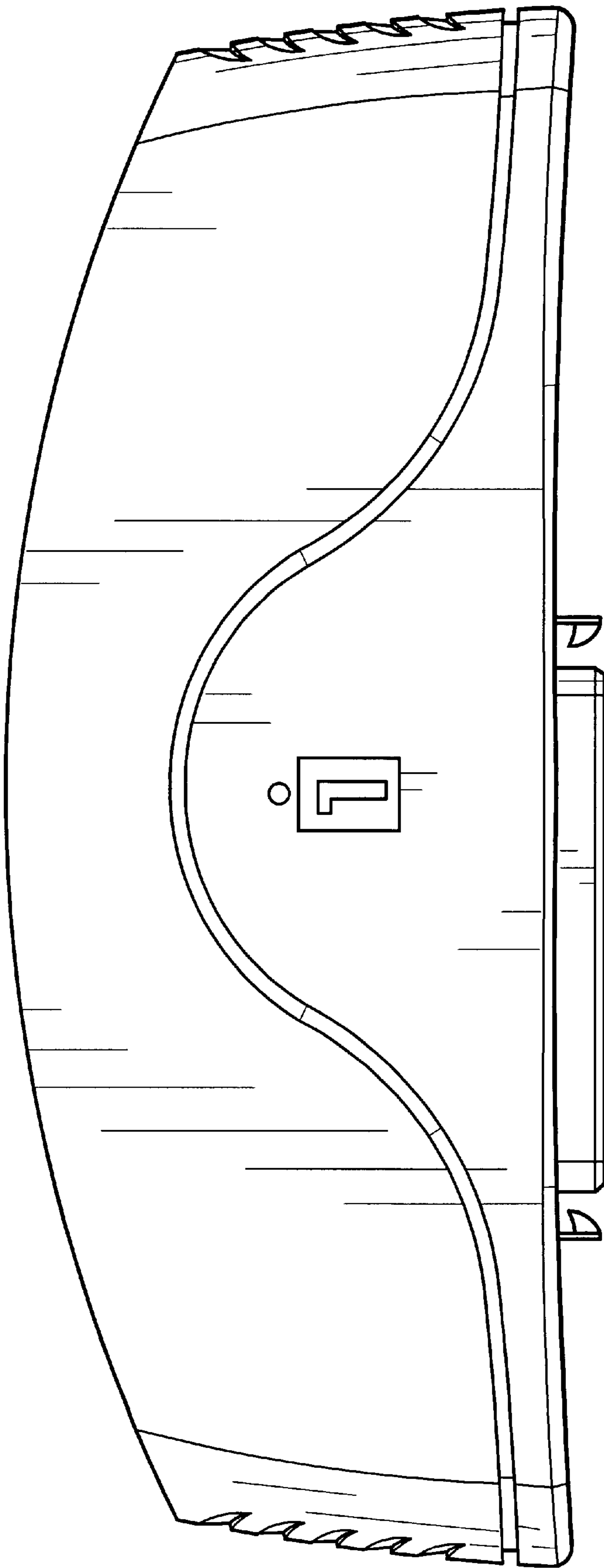


FIG. 2

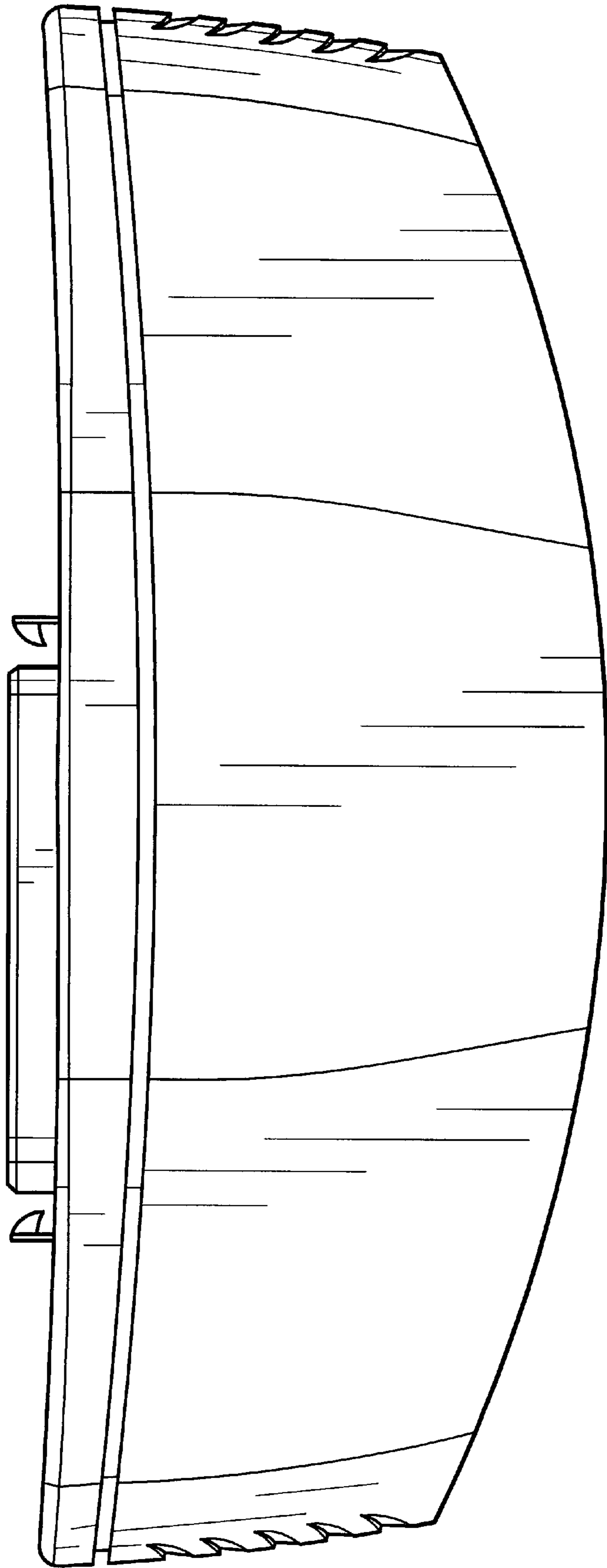


FIG. 3

FIG. 4

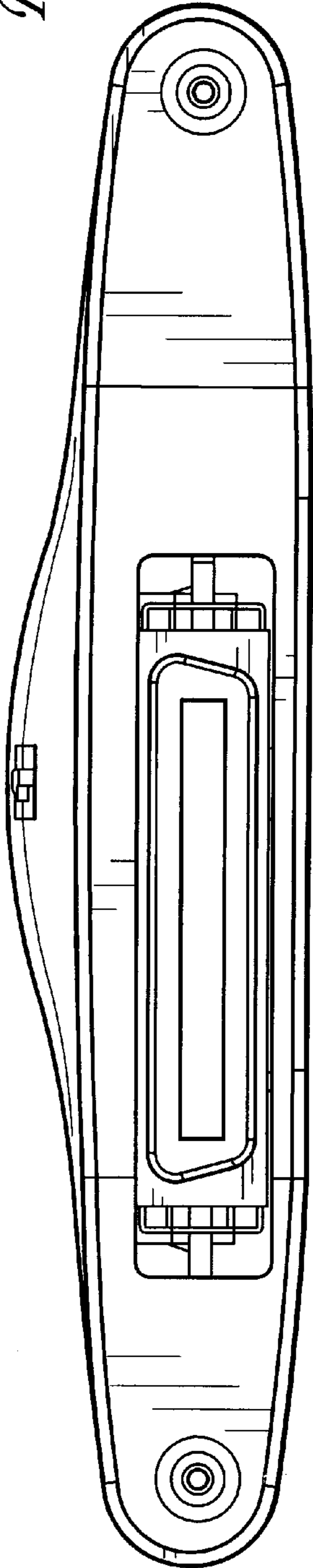


FIG. 6

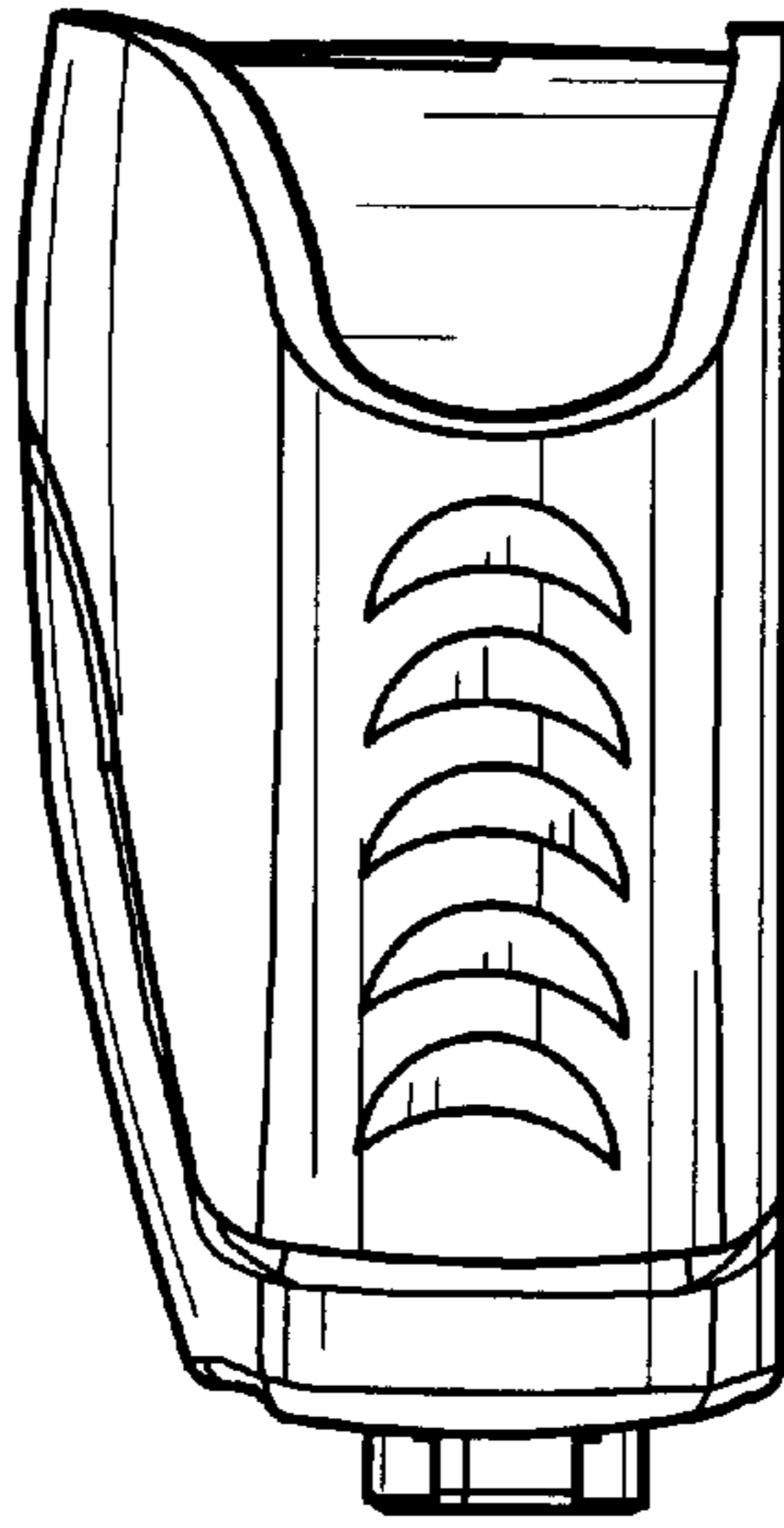


FIG. 5

