



US00D442952S

(12) **United States Design Patent**
Chang

(10) **Patent No.:** **US D442,952 S**

(45) **Date of Patent:** **** May 29, 2001**

(54) **INTERNET APPLIANCE DEVICE HOUSING**

(75) Inventor: **Shu Kuen Chang**, Chicago, IL (US)

(73) Assignee: **3Com Corporation**, Santa Clara, CA (US)

(**) Term: **14 Years**

(21) Appl. No.: **29/125,898**

(22) Filed: **Jun. 30, 2000**

(51) **LOC (7) Cl.** **14-02**

(52) **U.S. Cl.** **D14/343**

(58) **Field of Search** D14/341-343,
D14/374, 390, 126-129; 345/104, 133,
156, 168, 173; 348/180, 184, 325

(56) **References Cited**

U.S. PATENT DOCUMENTS

D. 250,711	1/1979	Persson et al.	D14/214
D. 298,534	11/1988	Turner	D14/131
D. 307,584	5/1990	Saeki et al.	D14/126
D. 308,969	7/1990	Kitagawa et al.	D14/126
D. 314,546	2/1991	Insaurrealde	D14/210
D. 319,229	8/1991	Hino et al.	D14/126
D. 323,324	1/1992	Suda	D14/125
D. 346,601	5/1994	Lyons	D14/204
D. 356,079	3/1995	Oba	D14/126
D. 356,547 *	3/1995	Silva et al.	D14/341
D. 367,476	2/1996	Martin	D14/214
D. 368,086	3/1996	Kazama	D14/126
D. 382,259 *	8/1997	Nagai et al.	D14/374
D. 384,660	10/1997	Matushita	D14/126
D. 385,857 *	11/1997	Cohen et al.	D14/390

D. 403,309 *	12/1998	Takemasa et al.	D14/374
D. 405,781	2/1999	Renk	D14/126
D. 414,473	9/1999	Kummel et al.	D14/374
D. 417,201 *	11/1999	Davis	D14/343
2,145,318	1/1939	Schenk et al.	381/342
5,818,942	10/1998	Freadman	381/24

* cited by examiner

Primary Examiner—Freda Nunn

(74) *Attorney, Agent, or Firm*—McDonnell Boehnen Hulbert & Berghoff

(57) **CLAIM**

The ornamental design for a internet appliance device housing, as shown and described.

DESCRIPTION

FIG. 1 is a front view of the internet appliance device housing;

FIG. 2 is a right side view of the internet appliance device housing;

FIG. 3 is a back view of the internet appliance device housing;

FIG. 4 is a left side view of the internet appliance device housing;

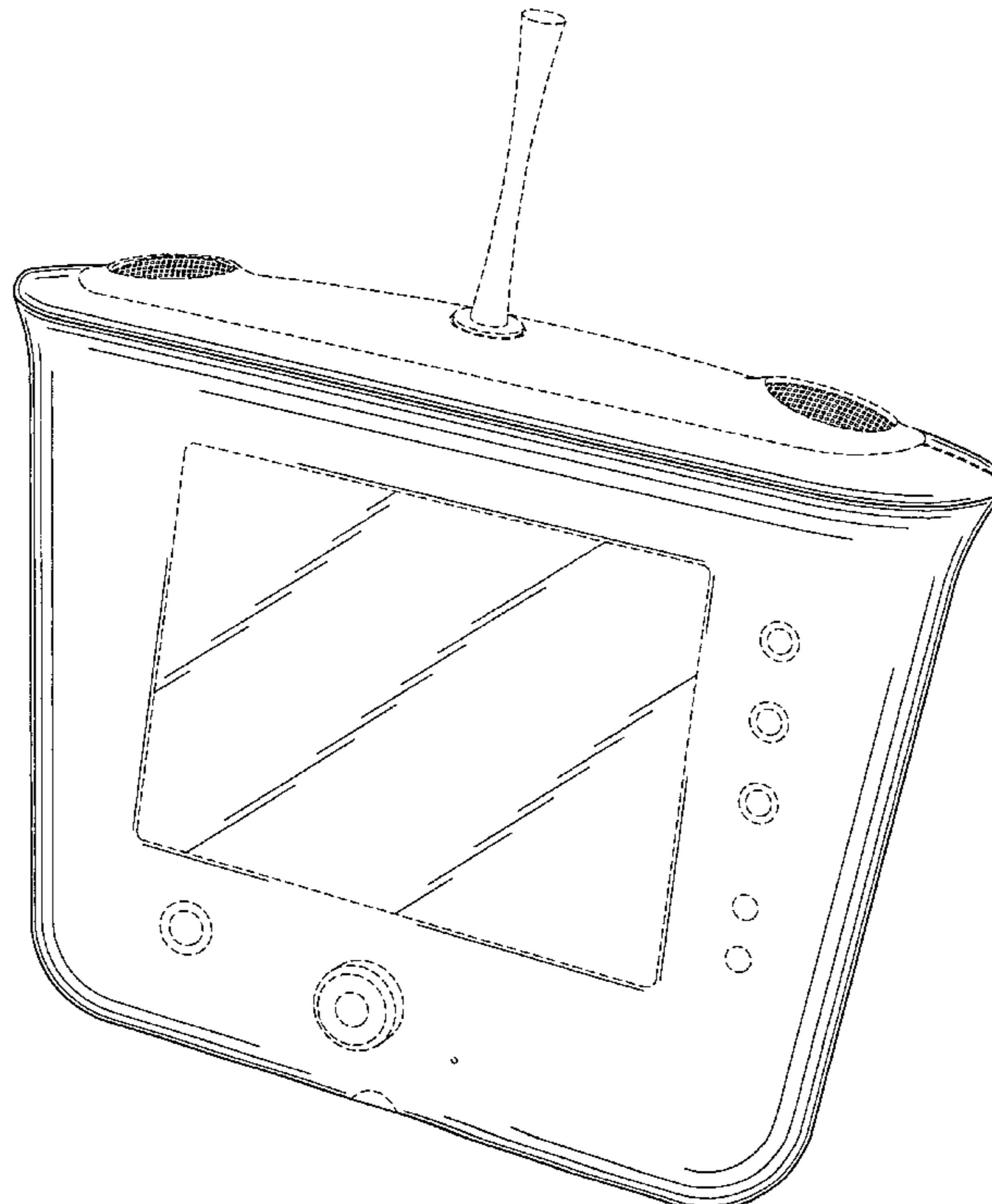
FIG. 5 is a top view of the internet appliance device housing;

FIG. 6 is a perspective view of the internet appliance device housing; and,

FIG. 7 is a bottom view of the internet appliance device housing.

The broken line showings of the internet appliance device housing are for illustrative purposes only and form no part of the claimed design.

1 Claim, 7 Drawing Sheets



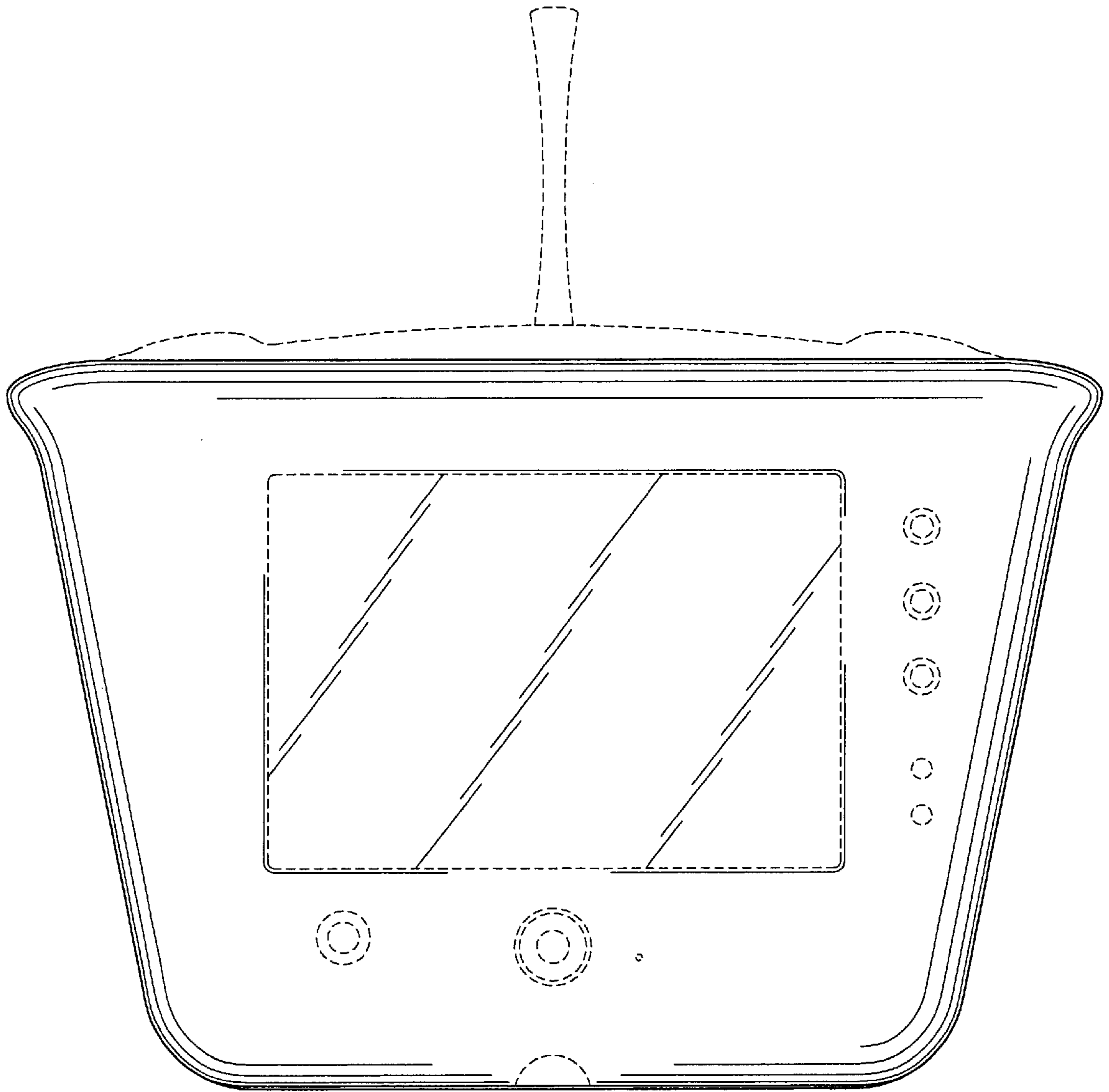


FIG. 1

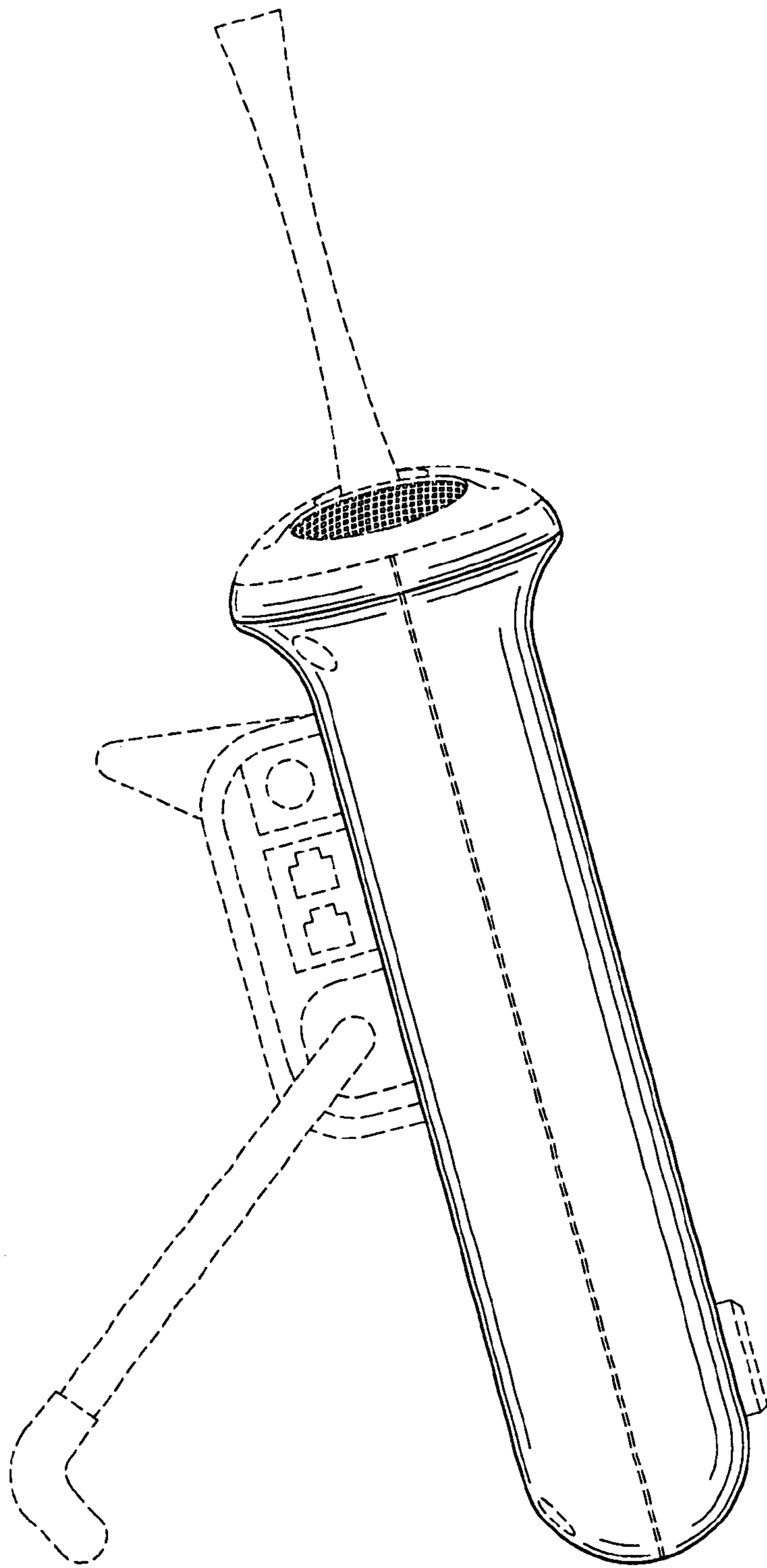


FIG. 2

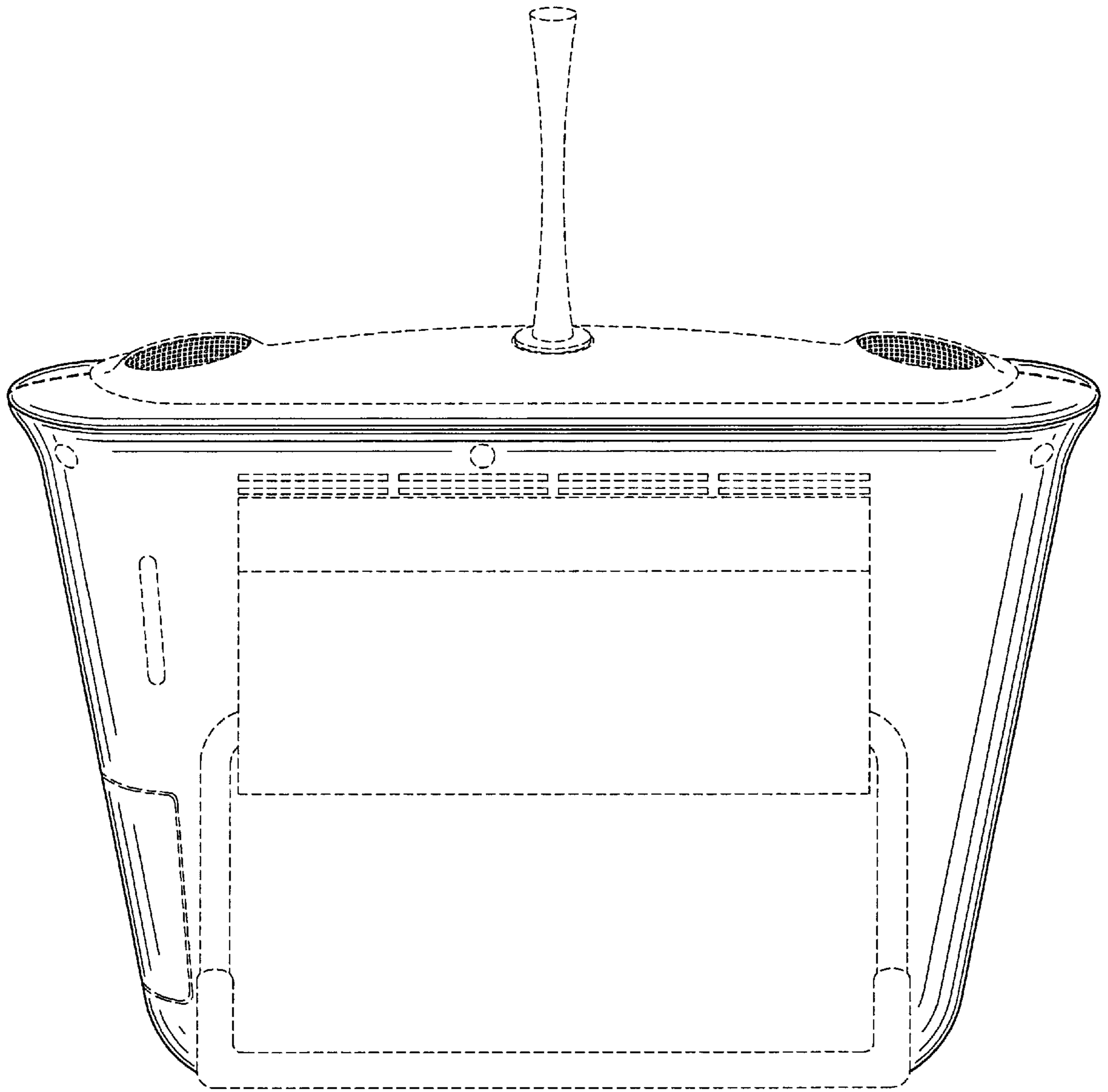


FIG. 3

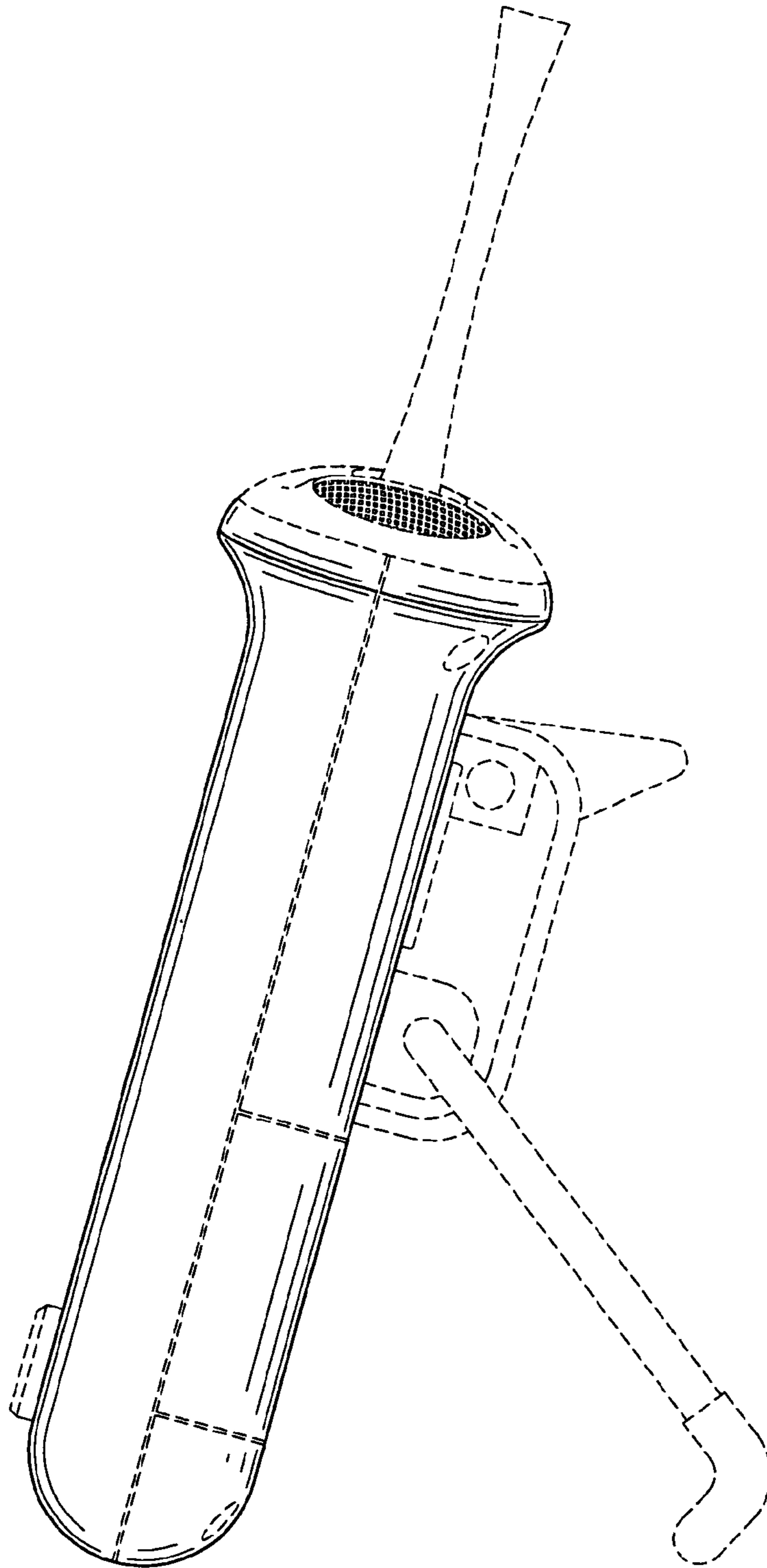


FIG. 4

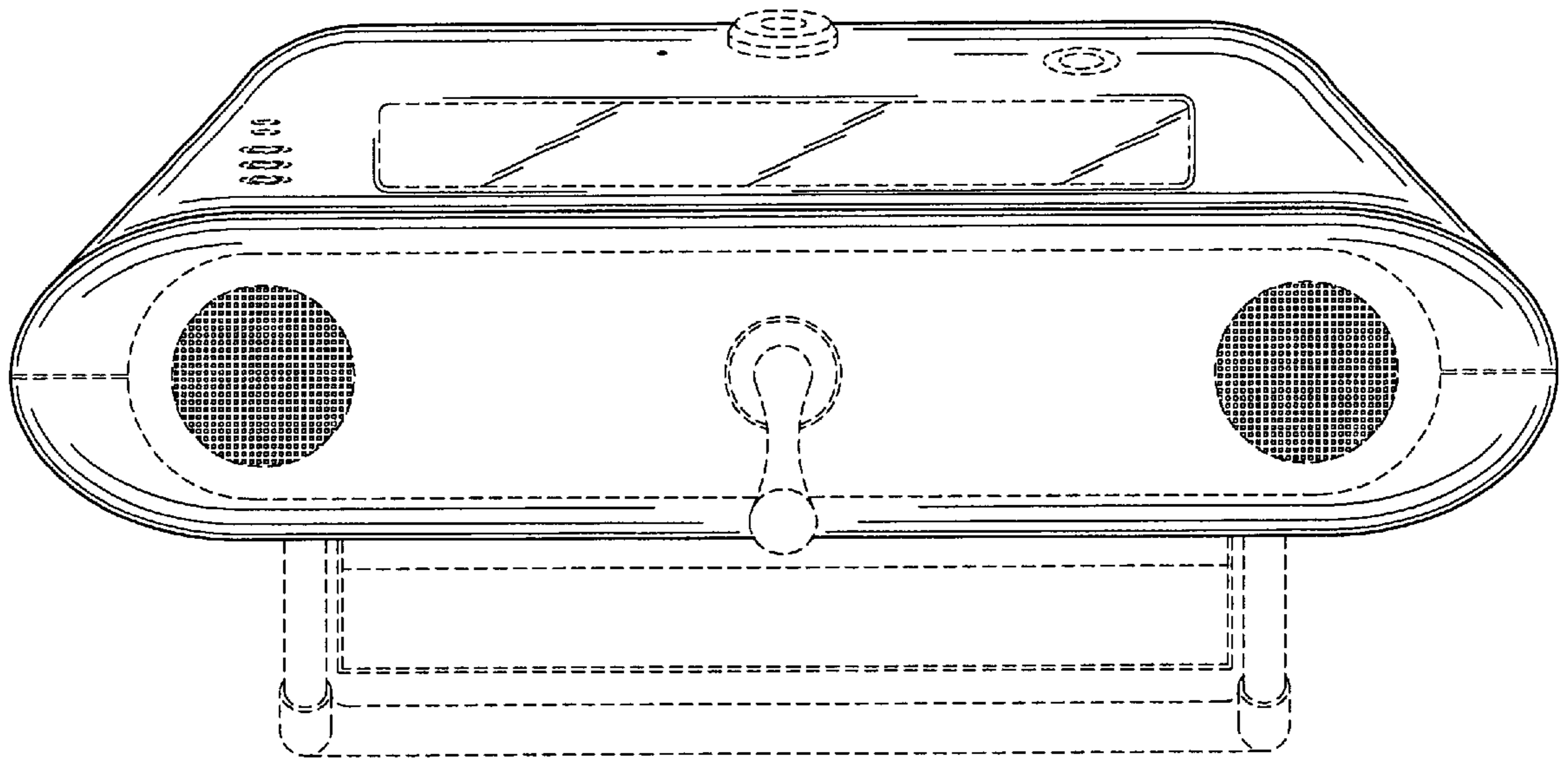


FIG. 5

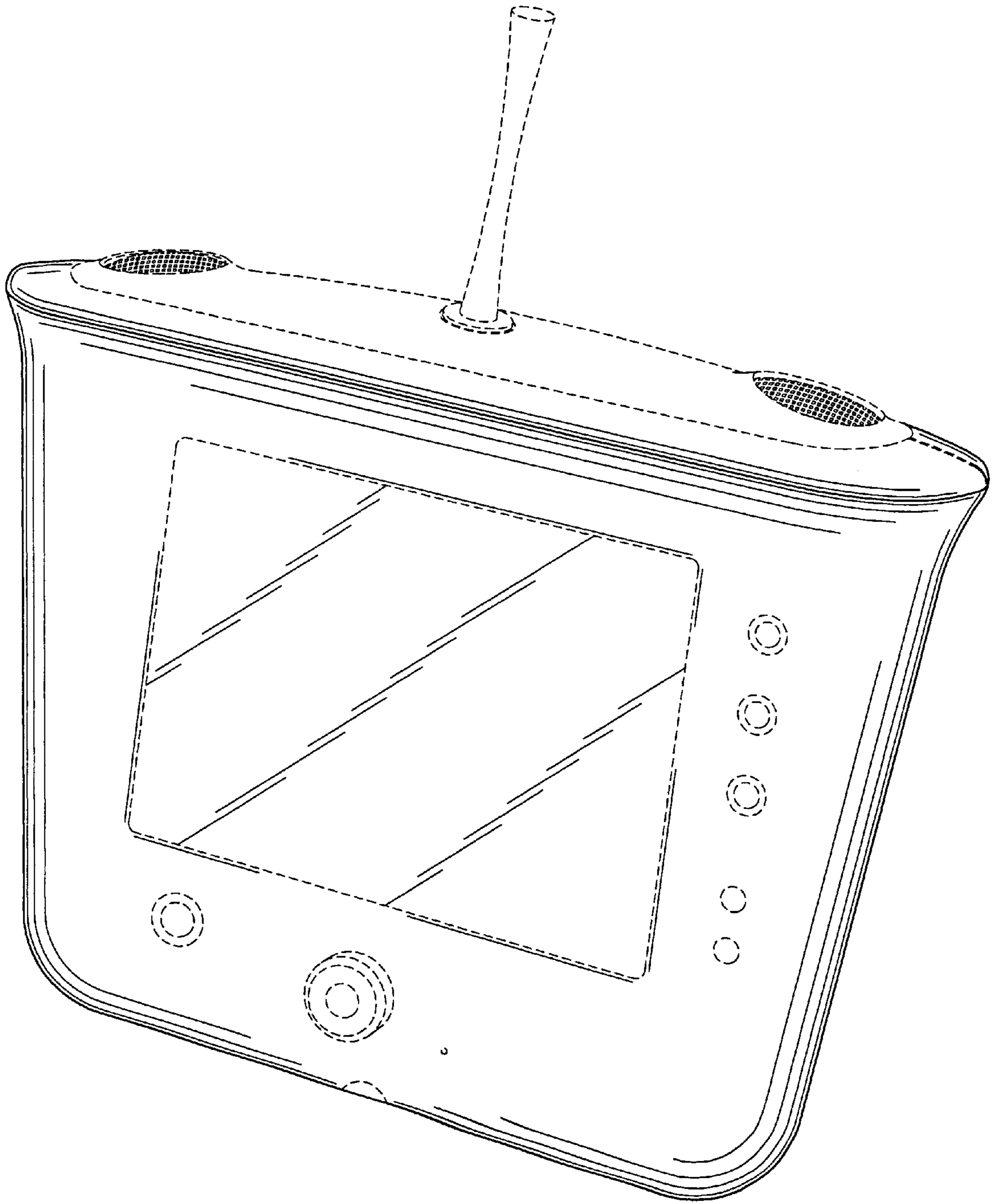


FIG. 6

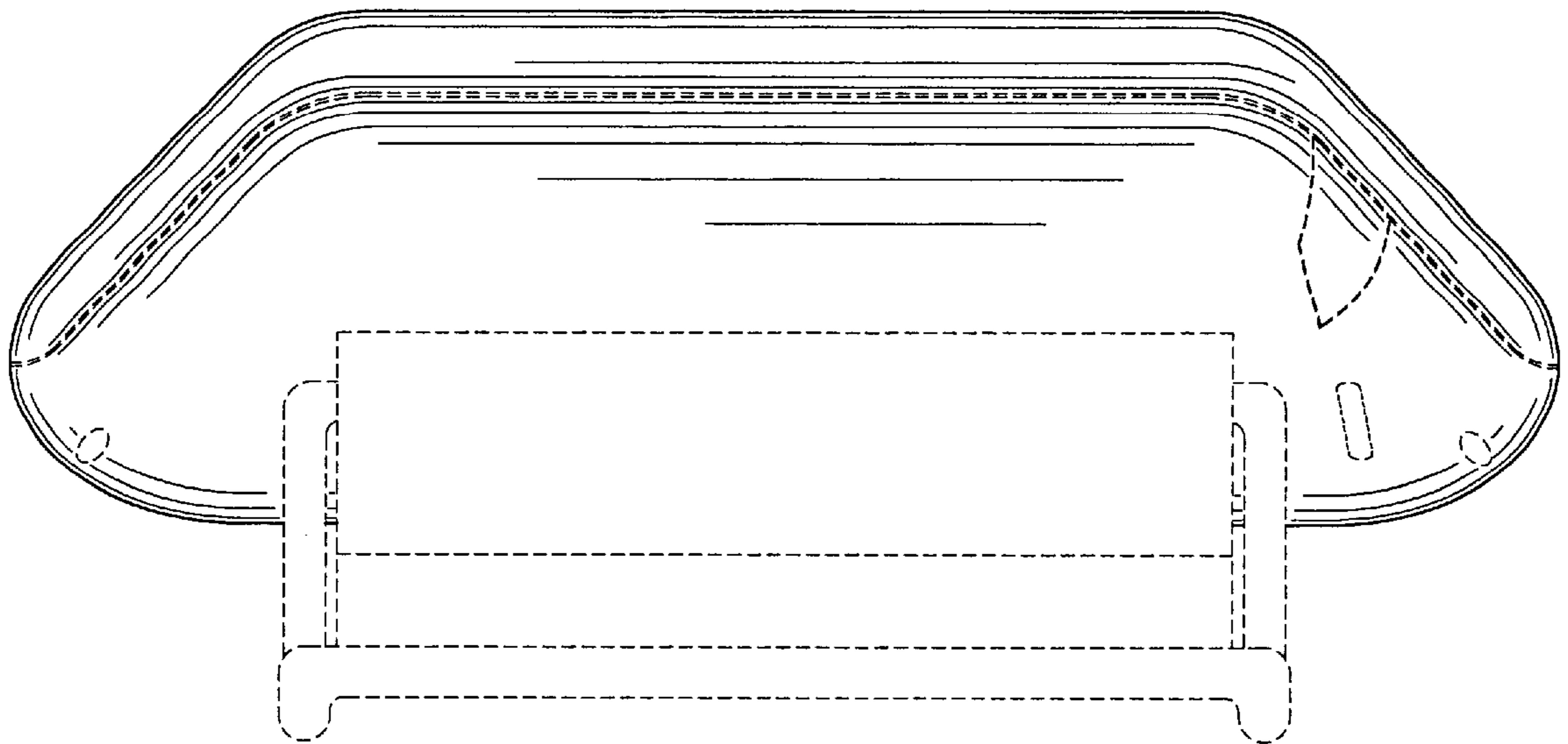


FIG. 7