



US00D442951S

(12) **United States Design Patent**  
**Hill et al.**

(10) **Patent No.:** **US D442,951 S**

(45) **Date of Patent:** **\*\* May 29, 2001**

(54) **INTEGRATED COMPUTER AND DISPLAY SYSTEM**

(75) **Inventors:** **David W. Hill**, Cary; **Antonio Latto**, Raleigh; **Brian Leonard**, Durham, all of NC (US); **Richard Sapper**, Stuttgart (DE); **John D. Swansey**, Durham, NC (US)

(73) **Assignee:** **International Business Machines Corporation**, Armonk, NY (US)

(\*\*) **Term:** **14 Years**

(21) **Appl. No.:** **29/114,770**

(22) **Filed:** **Nov. 30, 1999**

(51) **LOC (7) Cl.** ..... **14-02**

(52) **U.S. Cl.** ..... **D14/336**

(58) **Field of Search** ..... D14/337, 375, D14/374, 379, 382, 126-129; 345/104, 133, 156, 168, 173, 87; 348/180, 184, 325, 739; 349/1, 2, 11, 62

(56) **References Cited**

**U.S. PATENT DOCUMENTS**

- D. 354,949 \* 1/1995 Yao ..... D14/337
- D. 391,934 \* 3/1998 Uehara et al. .... D14/375
- D. 397,094 \* 8/1998 Kishi et al. .... D14/337

D. 413,586 \* 9/1999 Kondo ..... D14/375

\* cited by examiner

*Primary Examiner*—Freda Nunn

(74) *Attorney, Agent, or Firm*—John B. Schelkopf; Andrew Dillon

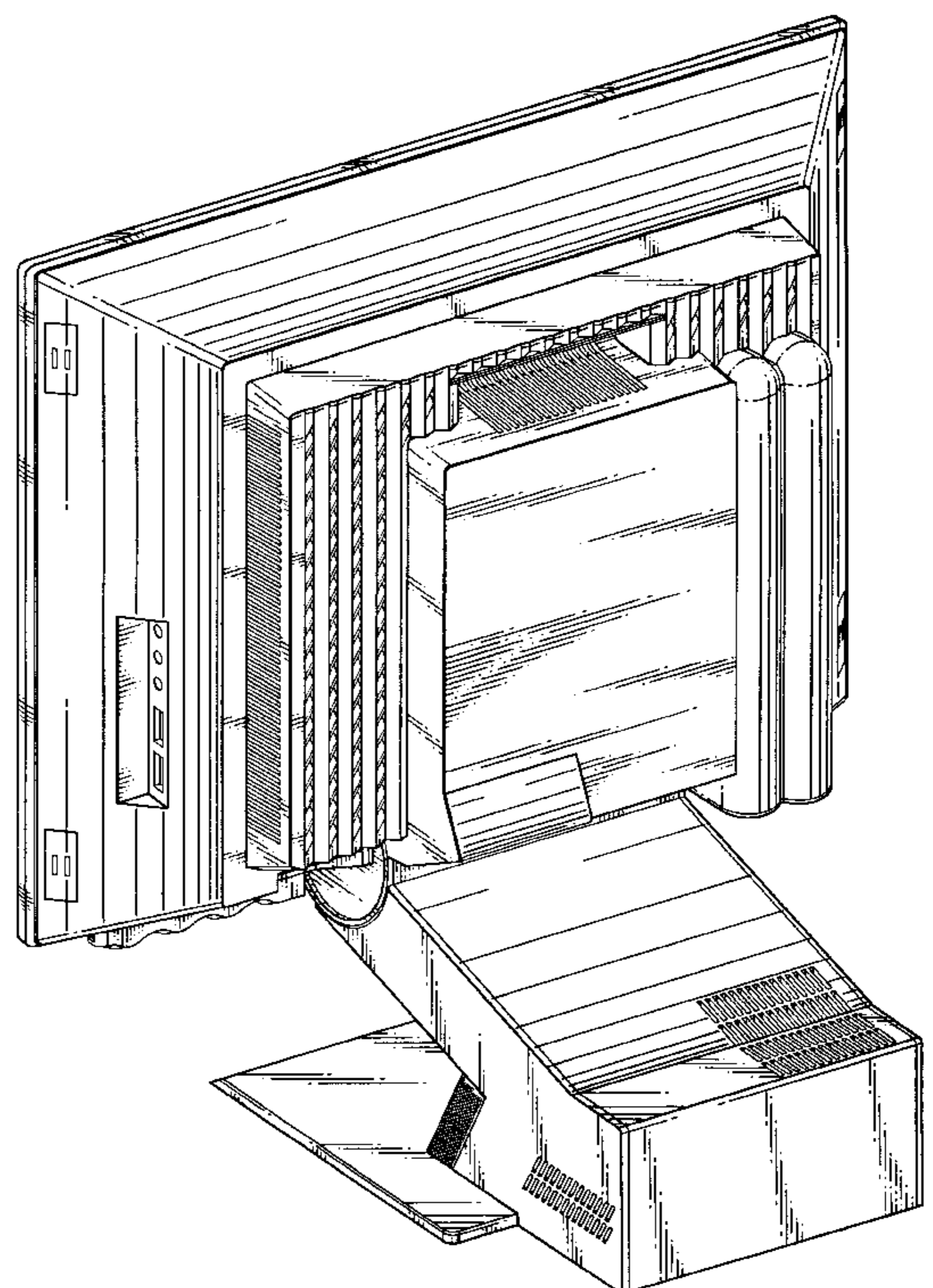
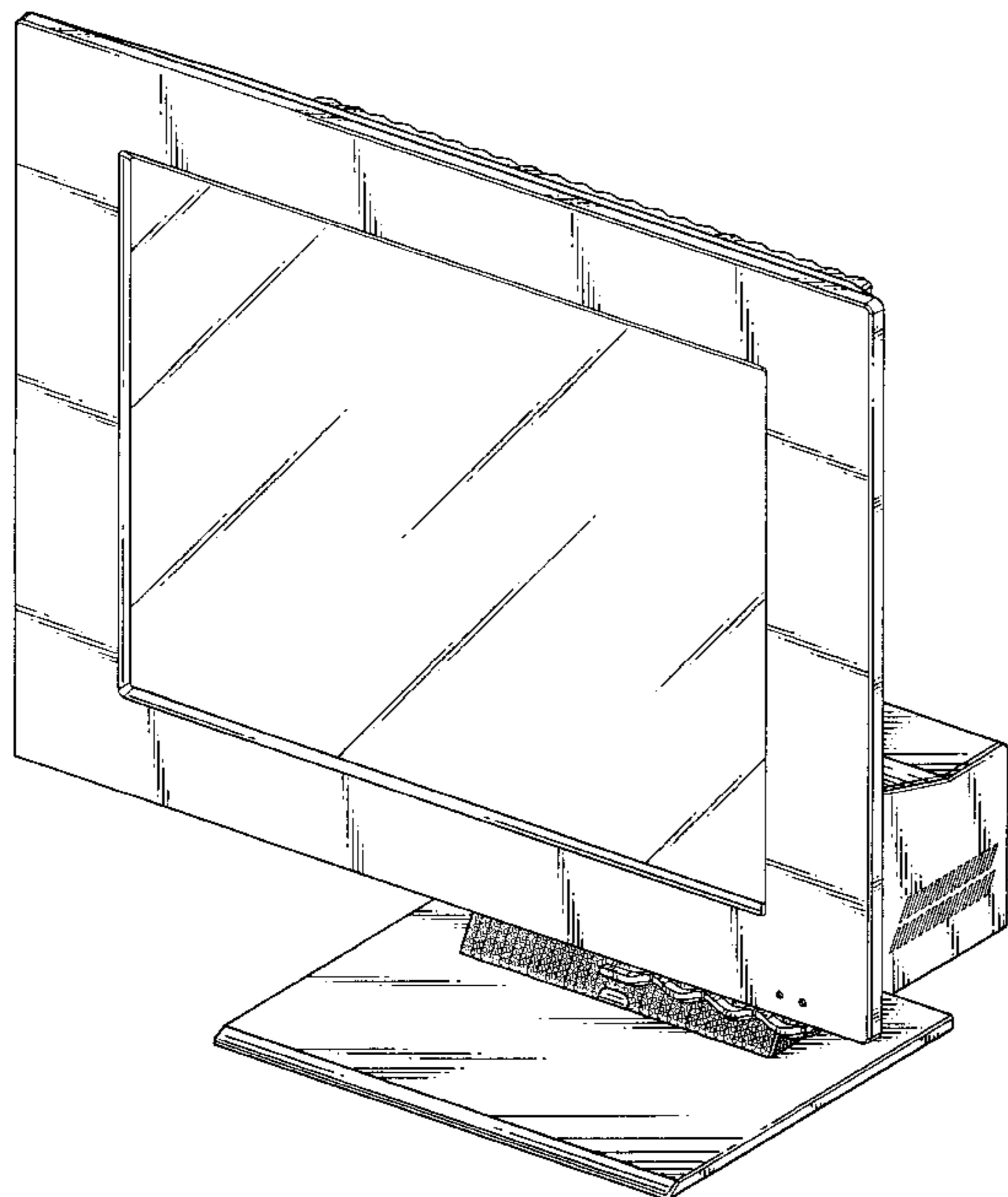
(57) **CLAIM**

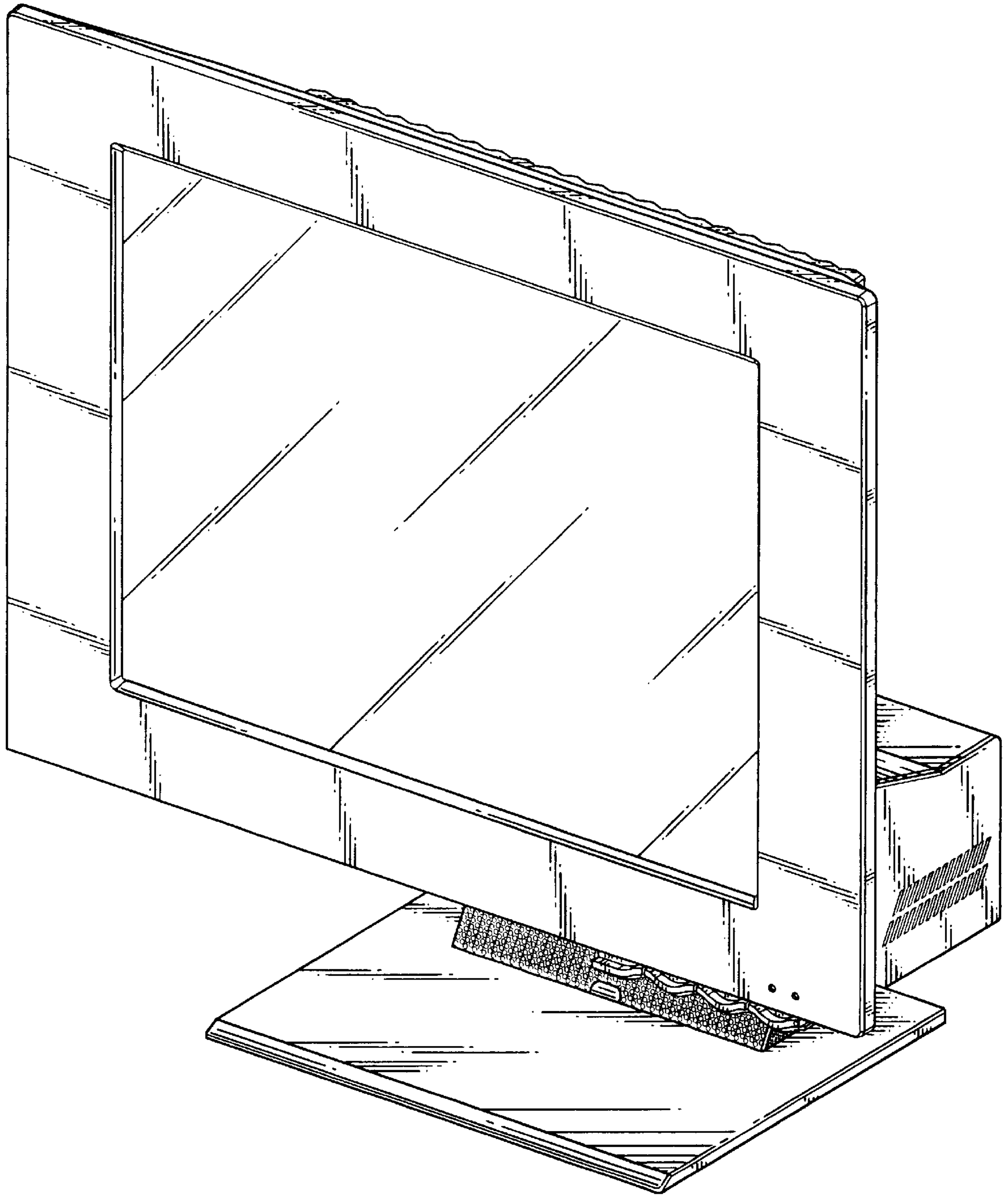
The ornamental design for an integrated computer and display system, as shown and described.

**DESCRIPTION**

FIG. 1 is a front perspective view of the integrated computer and display system of the present invention;  
 FIG. 2 is a rear perspective view of the integrated computer and display system of the present invention;  
 FIG. 3 is a front view of the integrated computer and display system of the present invention;  
 FIG. 4 is a left side view of the integrated computer and display system of the present invention;  
 FIG. 5 is a rear view of the integrated computer and display system of the present invention;  
 FIG. 6 is a right side view of the integrated computer and display system of the present invention;  
 FIG. 7 is a top view of the integrated computer and display system of the present invention; and,  
 FIG. 8 is a bottom view of the integrated computer and display system of the present invention.

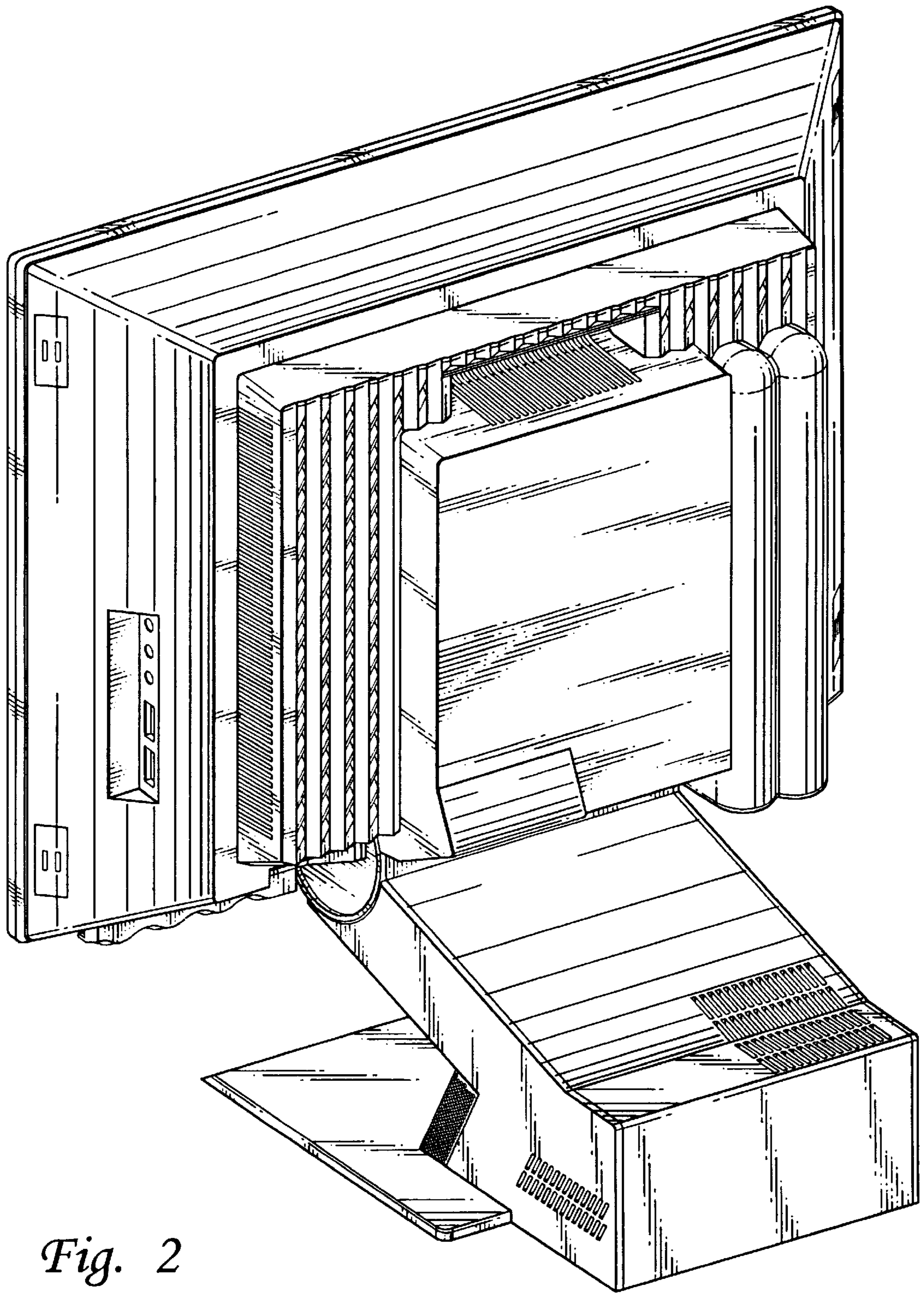
**1 Claim, 7 Drawing Sheets**



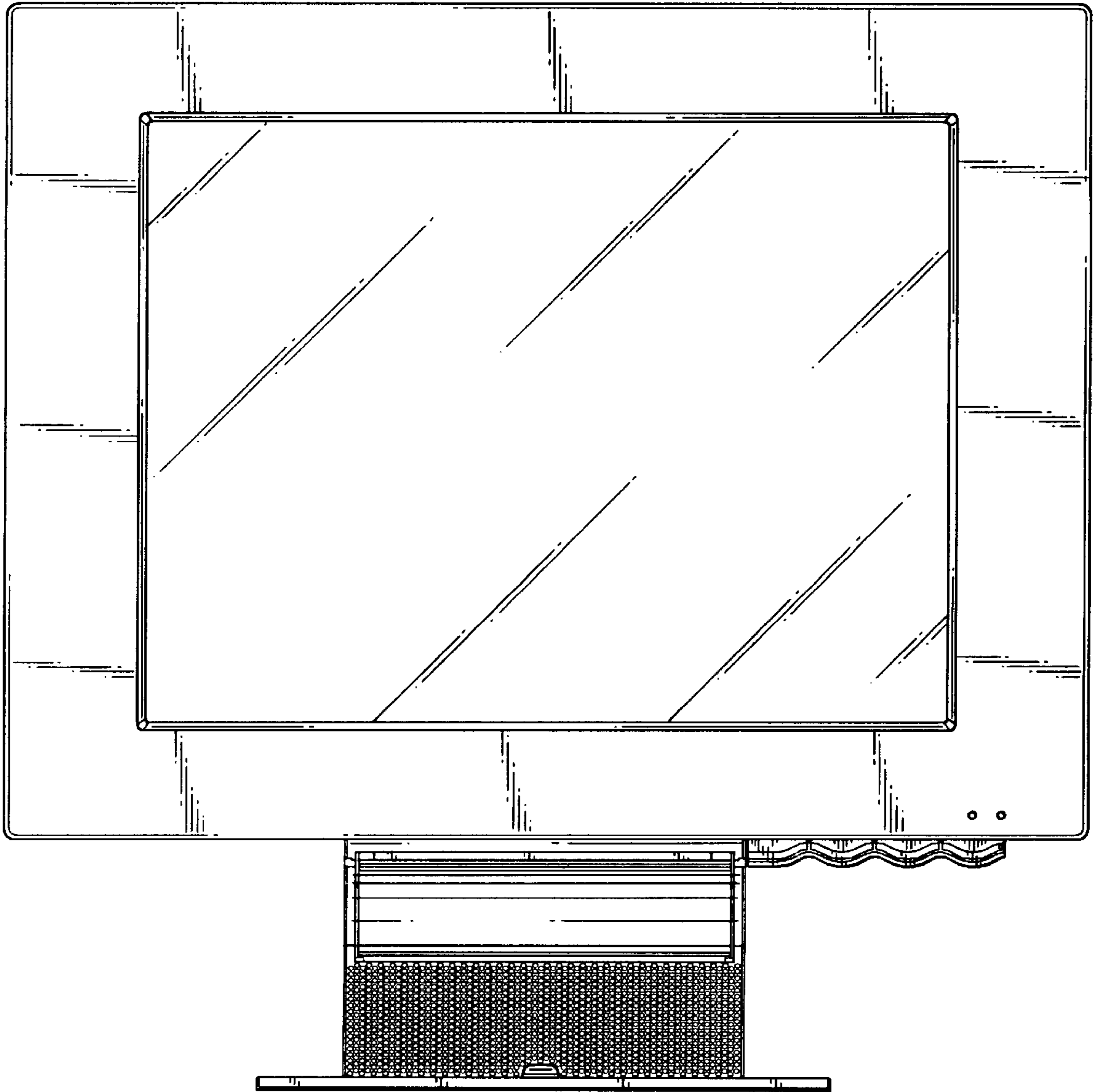


*Fig. 1*

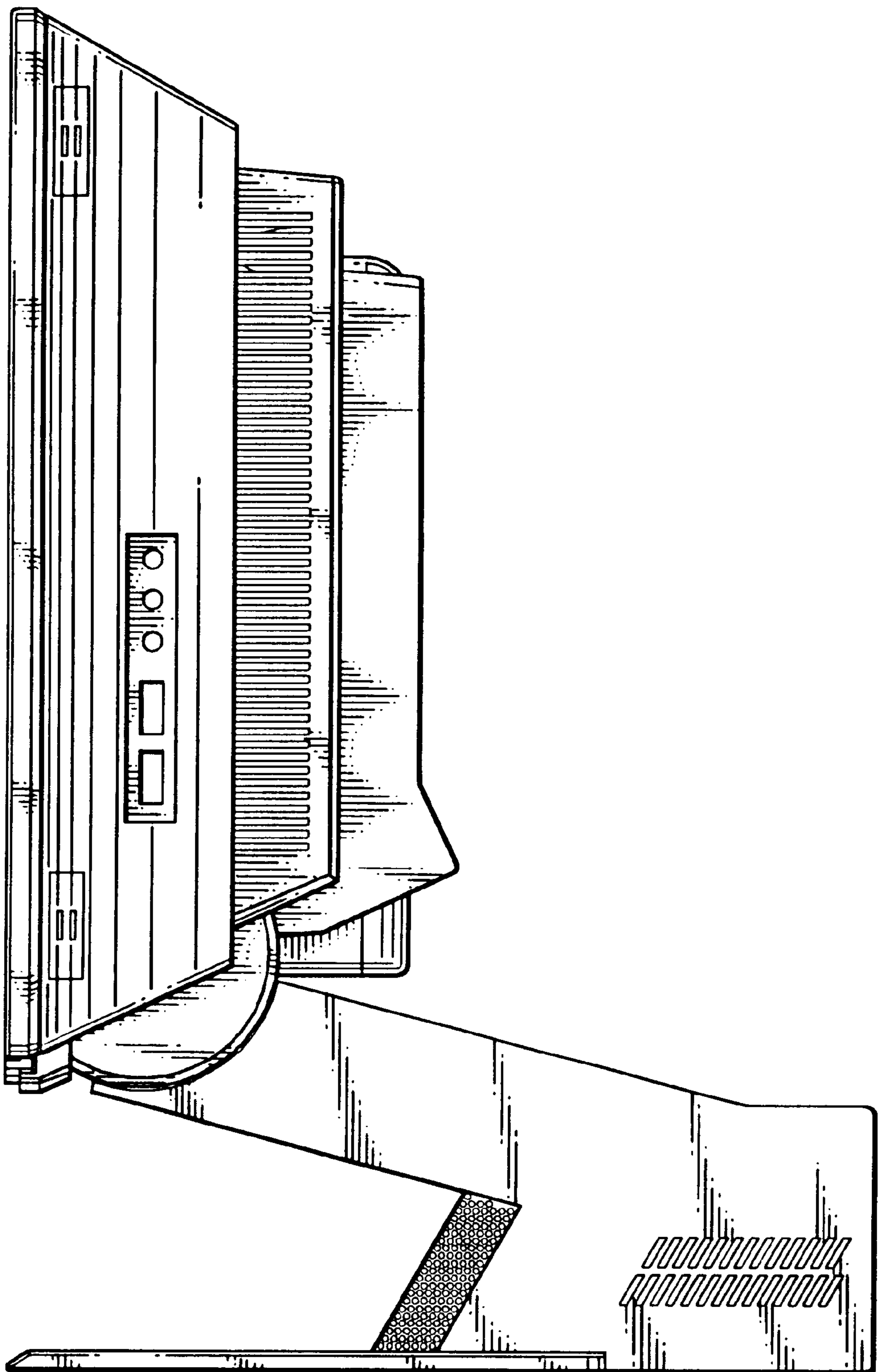




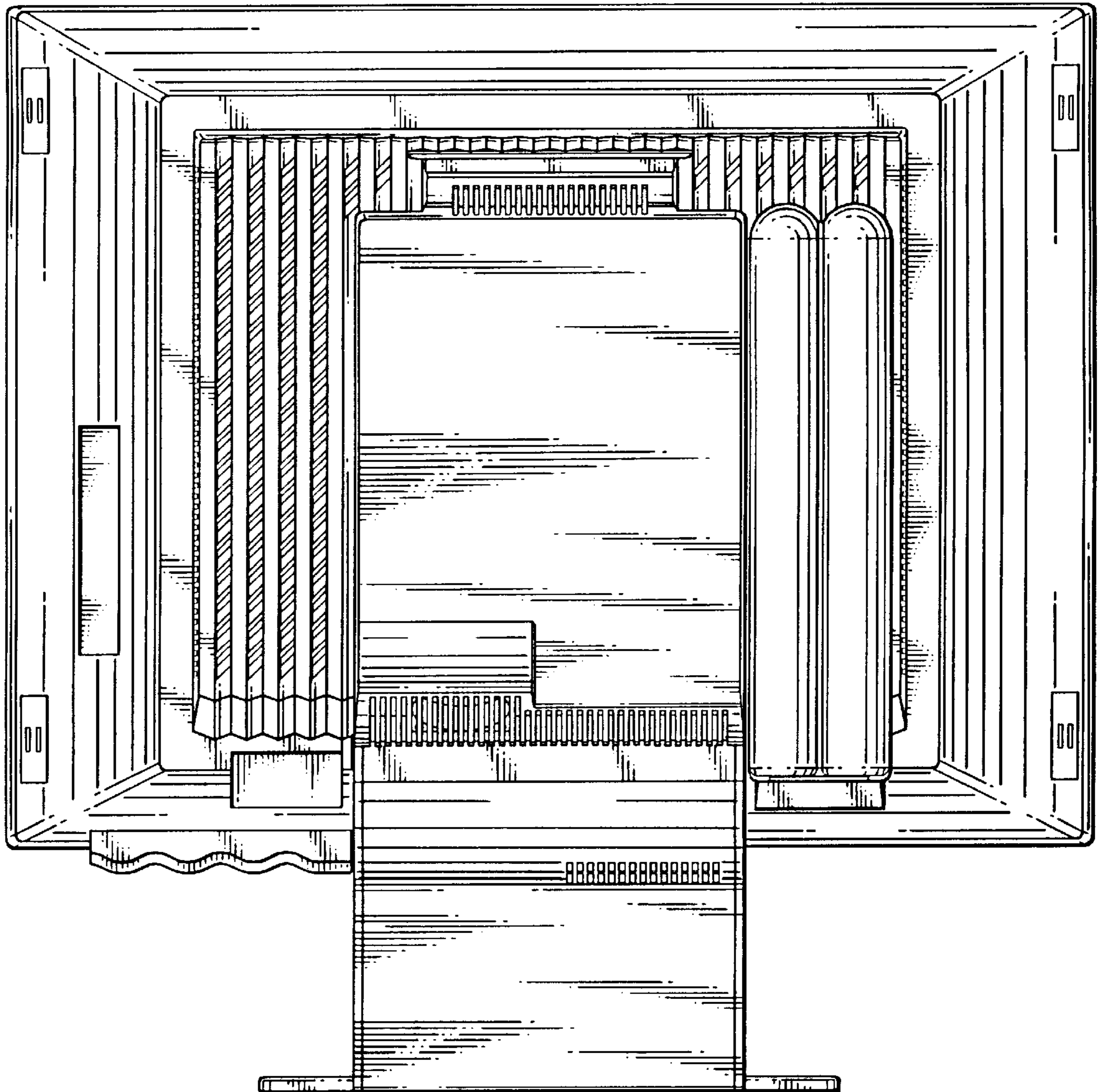
*Fig. 2*



*Fig. 3*

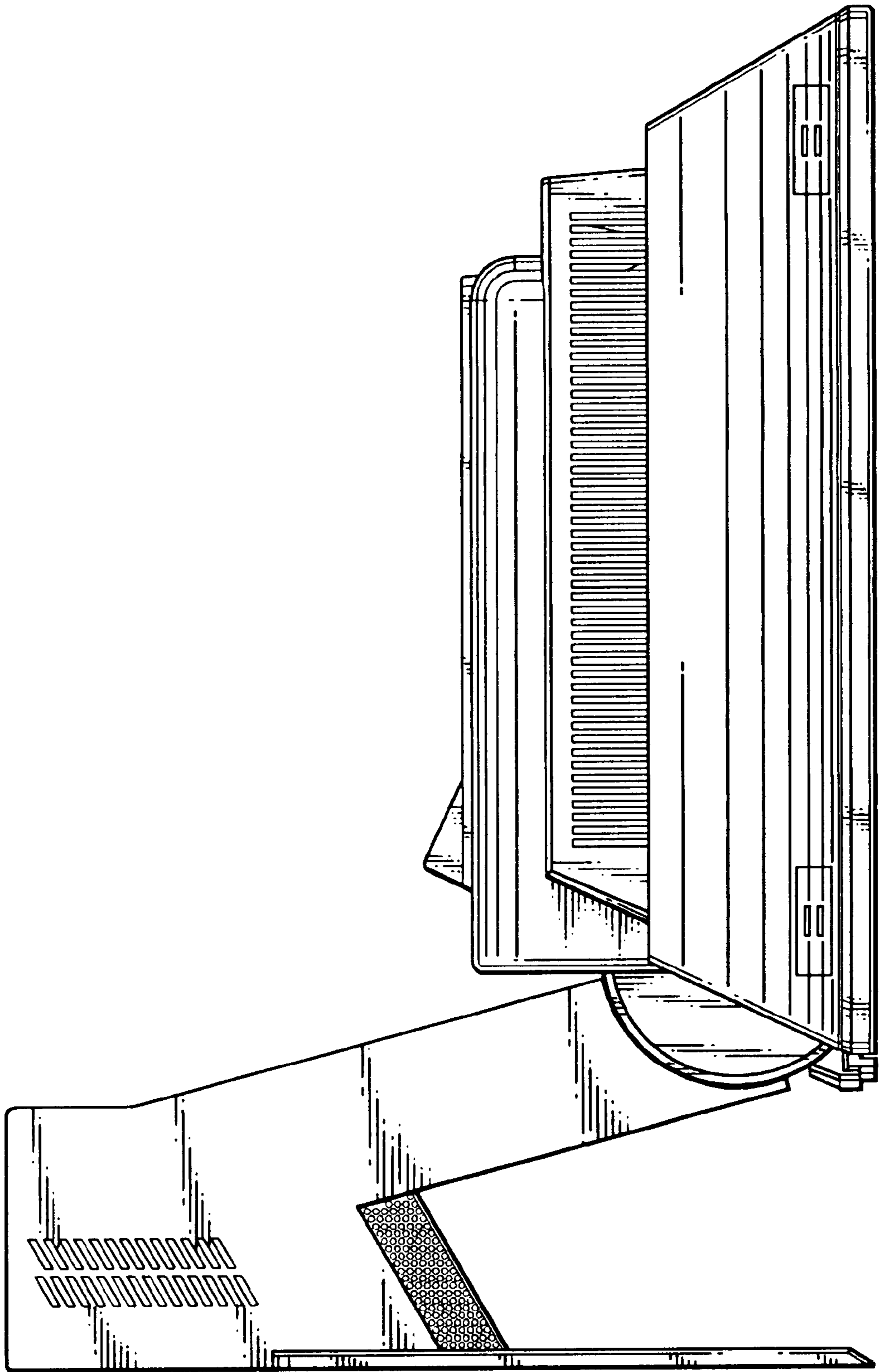


*Fig. 4*

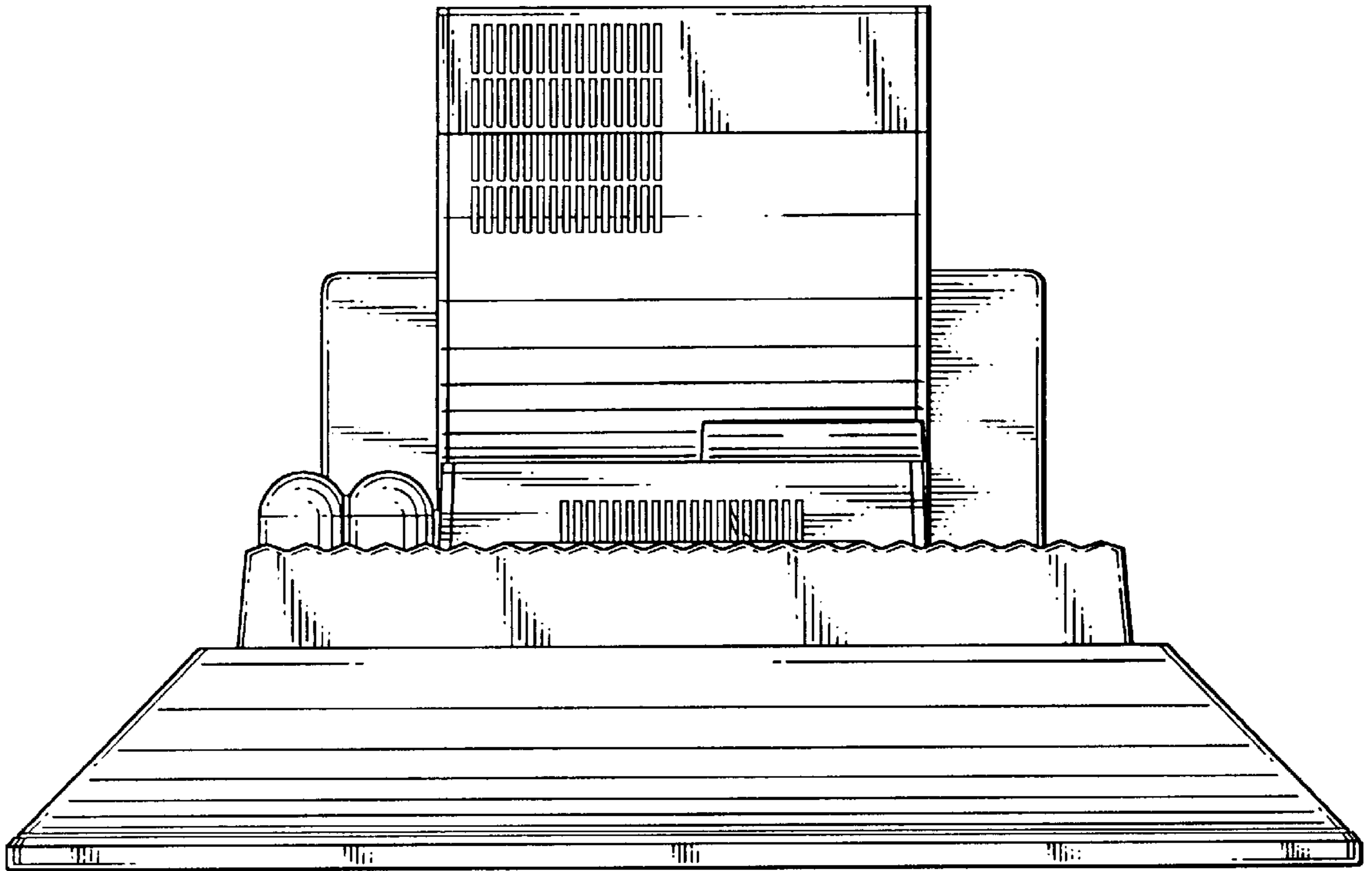


*Fig. 5*

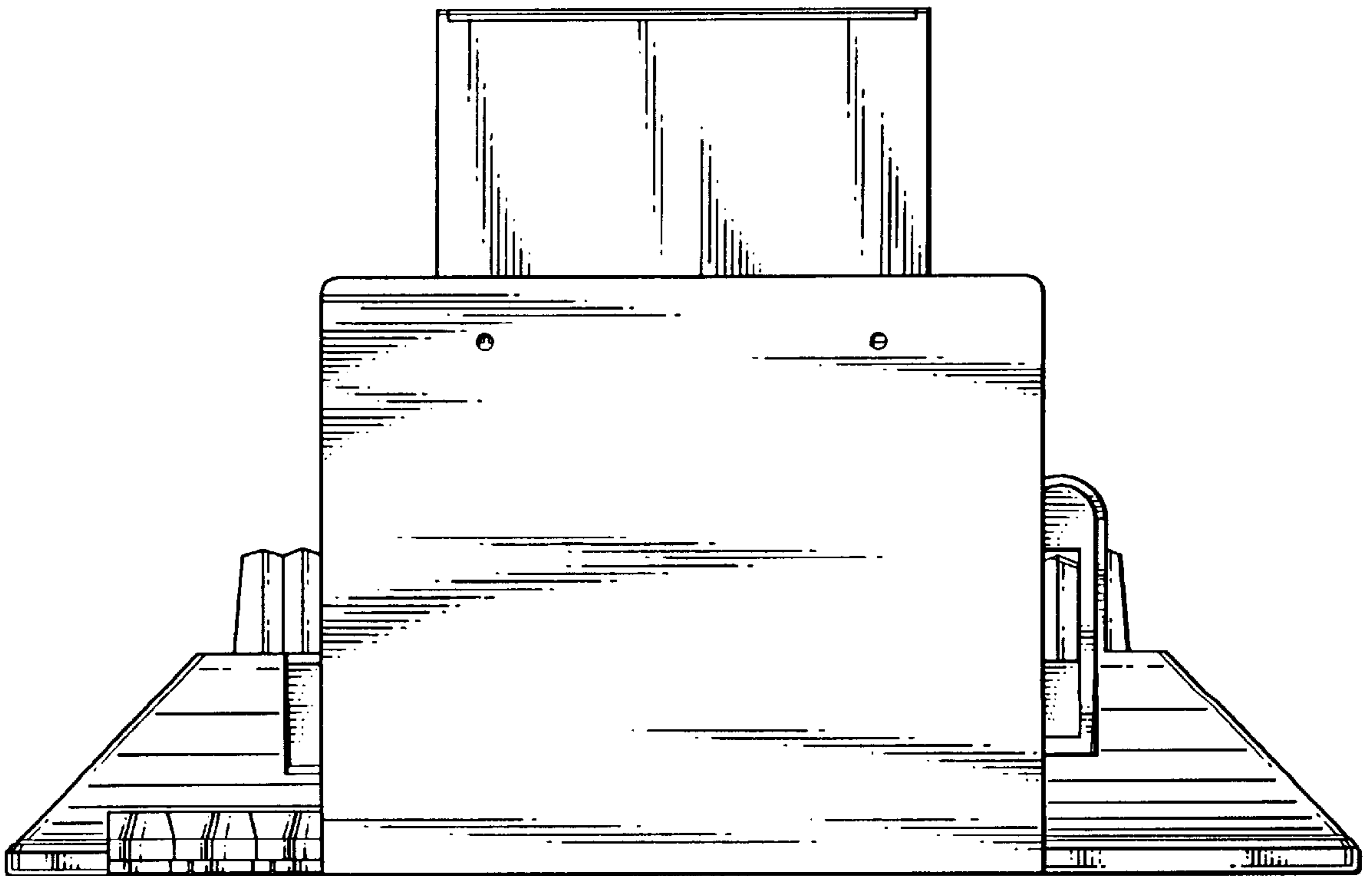




*Fig. 6*



*Fig. 7*



*Fig. 8*