



US00D442947S

(12) **United States Design Patent**
Warner et al.

(10) **Patent No.:** **US D442,947 S**

(45) **Date of Patent:** **** May 29, 2001**

(54) **ANTENNA HOUSING**

(75) Inventors: **Jack S. Warner**, Portland, OR (US);
Jason C. Chamberlain, San Jose, CA (US)

(73) Assignee: **Trimble Navigation Limited**, Sunnyvale, CA (US)

(**) Term: **14 Years**

(21) Appl. No.: **29/119,173**

(22) Filed: **Feb. 24, 2000**

(51) **LOC (7) Cl.** **14-03**

(52) **U.S. Cl.** **D14/230**

(58) **Field of Search** D14/230-238;
343/872, 702, 867, 840

(56) **References Cited**

U.S. PATENT DOCUMENTS

- D. 227,676 * 7/1973 Okada D14/230
- D. 304,946 * 12/1989 Ogawa et al. D14/230

- D. 390,569 * 2/1998 Martek et al. D14/233
- 4,315,265 * 2/1982 Palmer et al. 343/840

* cited by examiner

Primary Examiner—Louis S. Zarfes

Assistant Examiner—Gregory Andoll

(74) *Attorney, Agent, or Firm*—Wagner, Murabito & Hao

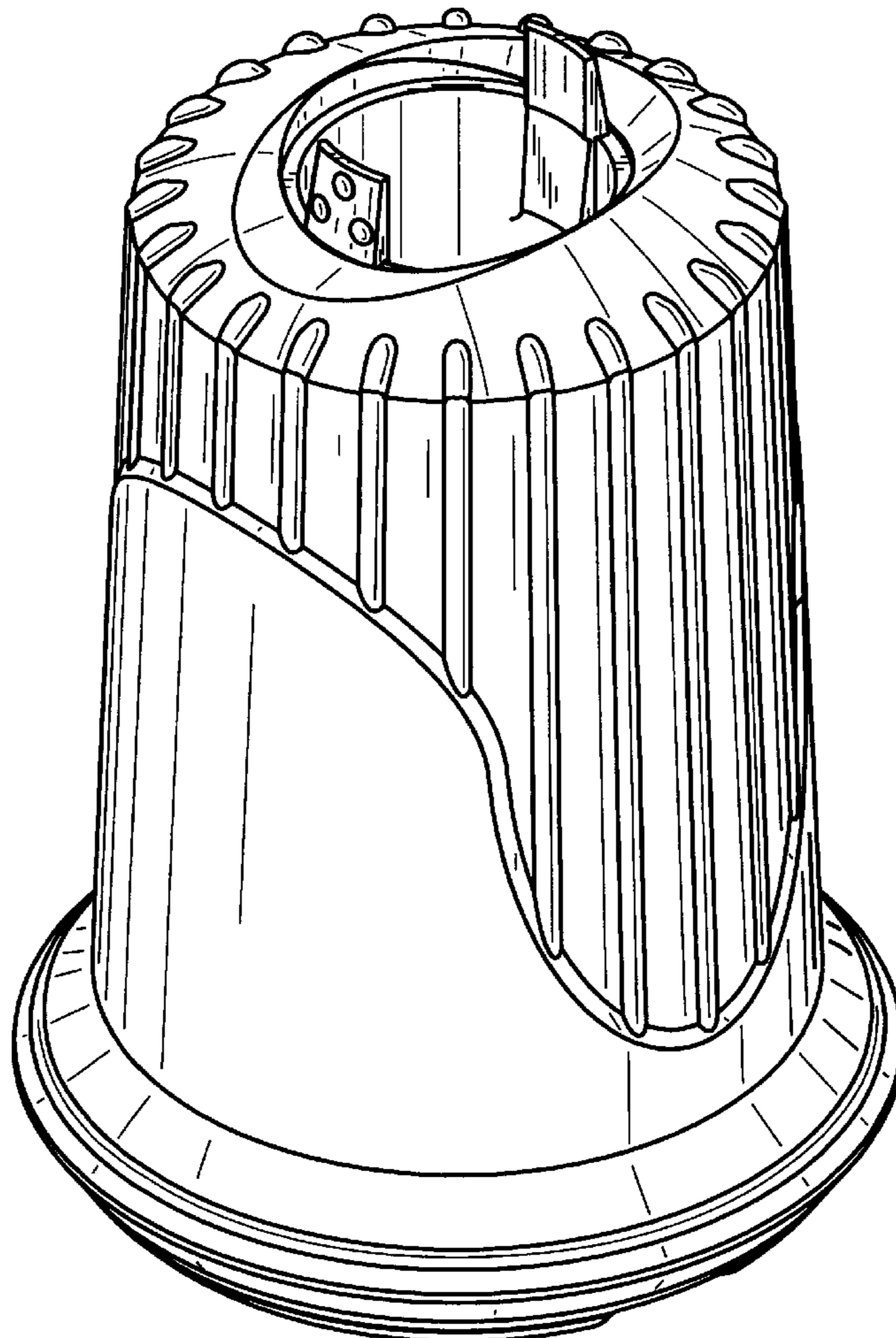
(57) **CLAIM**

We Claim the ornamental design for an antenna housing, as shown.

DESCRIPTION

FIG. 1 is an upper left front perspective view of the antenna housing comprising the present invention;
 FIG. 2 is a bottom rear front perspective view thereof;
 FIG. 3 is a front elevational view thereof;
 FIG. 4 is a right side elevational view thereof;
 FIG. 5 is a rear elevational view thereof;
 FIG. 6 is a left side elevational view thereof;
 FIG. 7 is a top plan view thereof; and,
 FIG. 8 is a bottom plan view thereof.

1 Claim, 4 Drawing Sheets



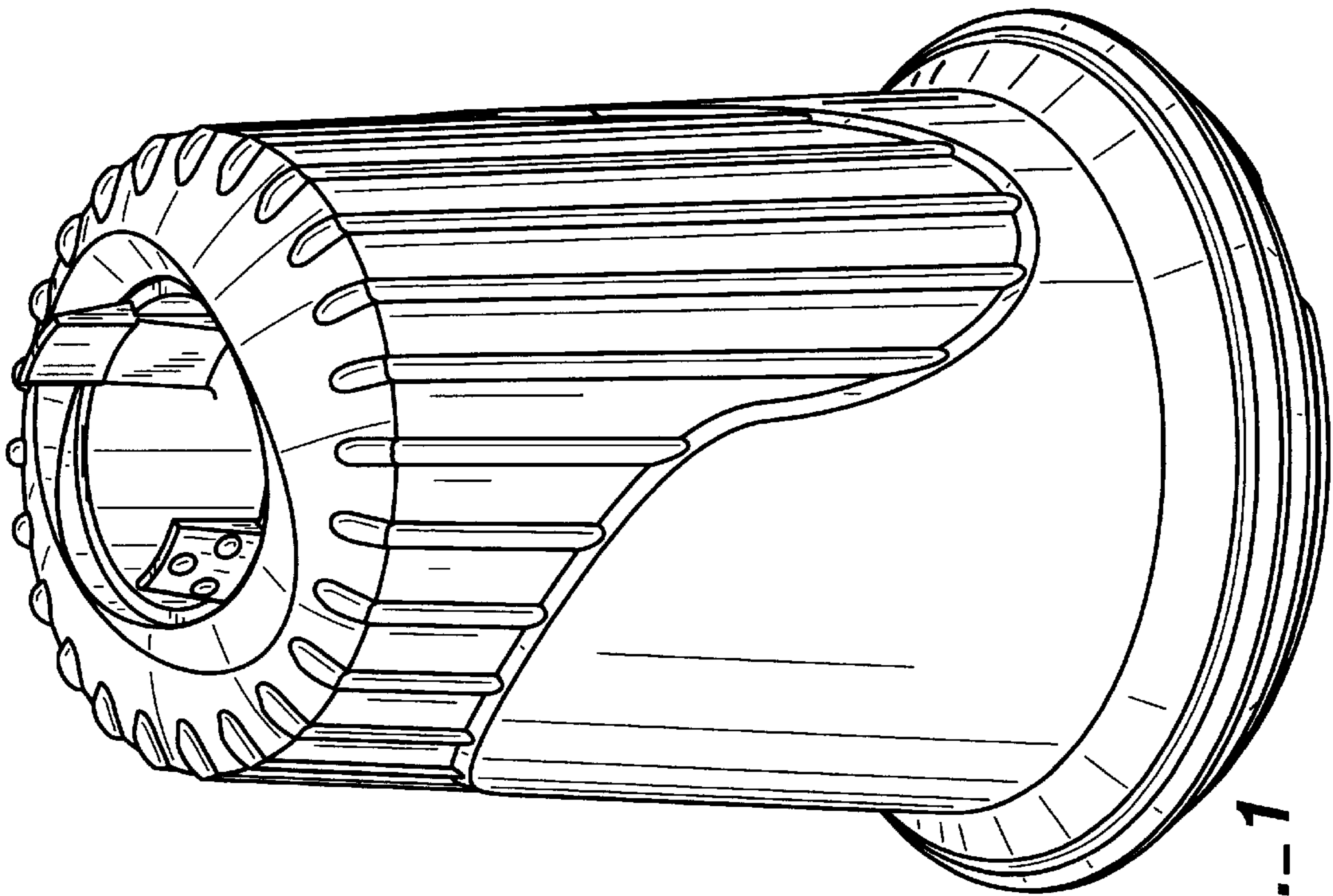


FIG.-- 1

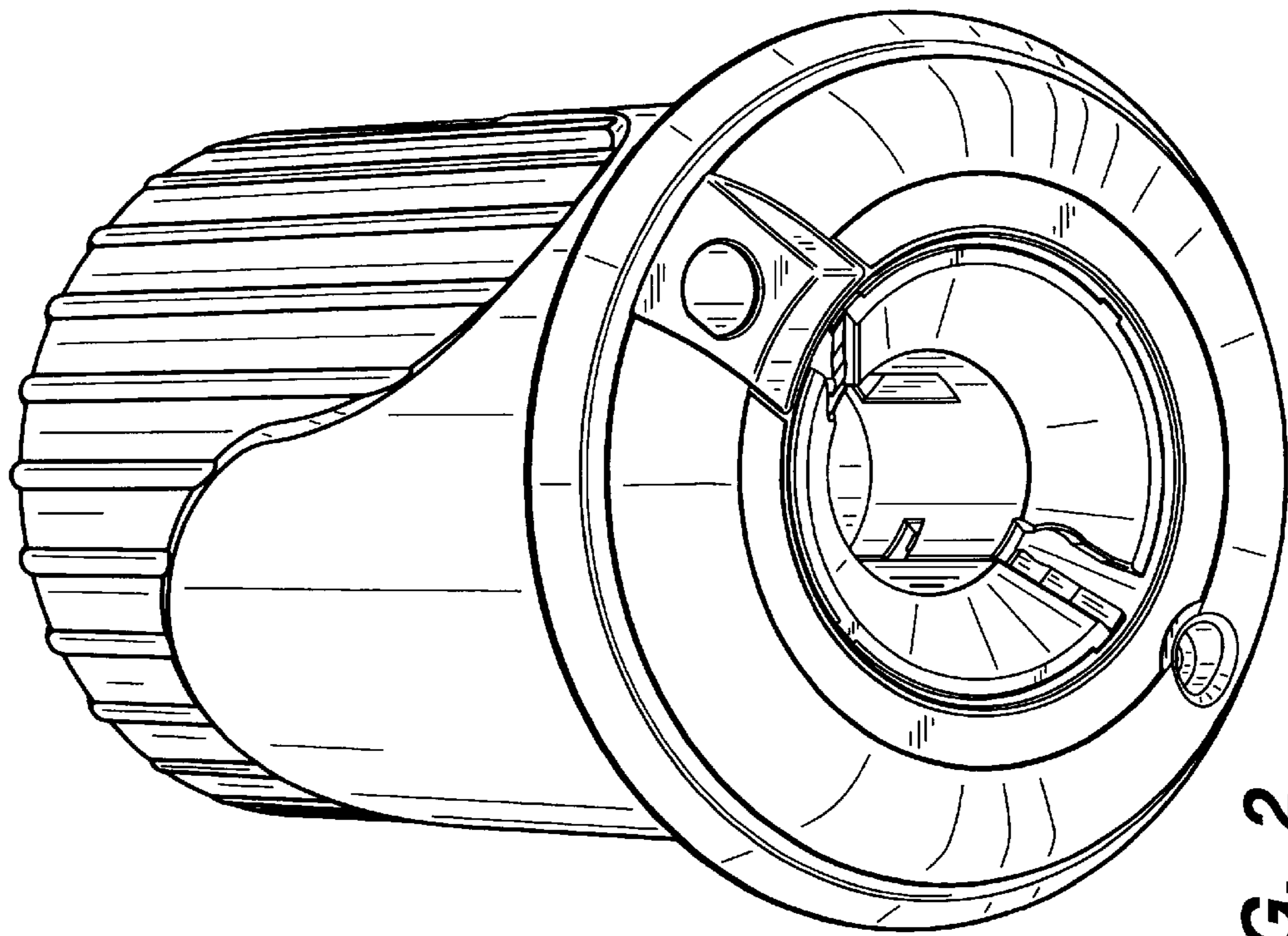


FIG.-- 2

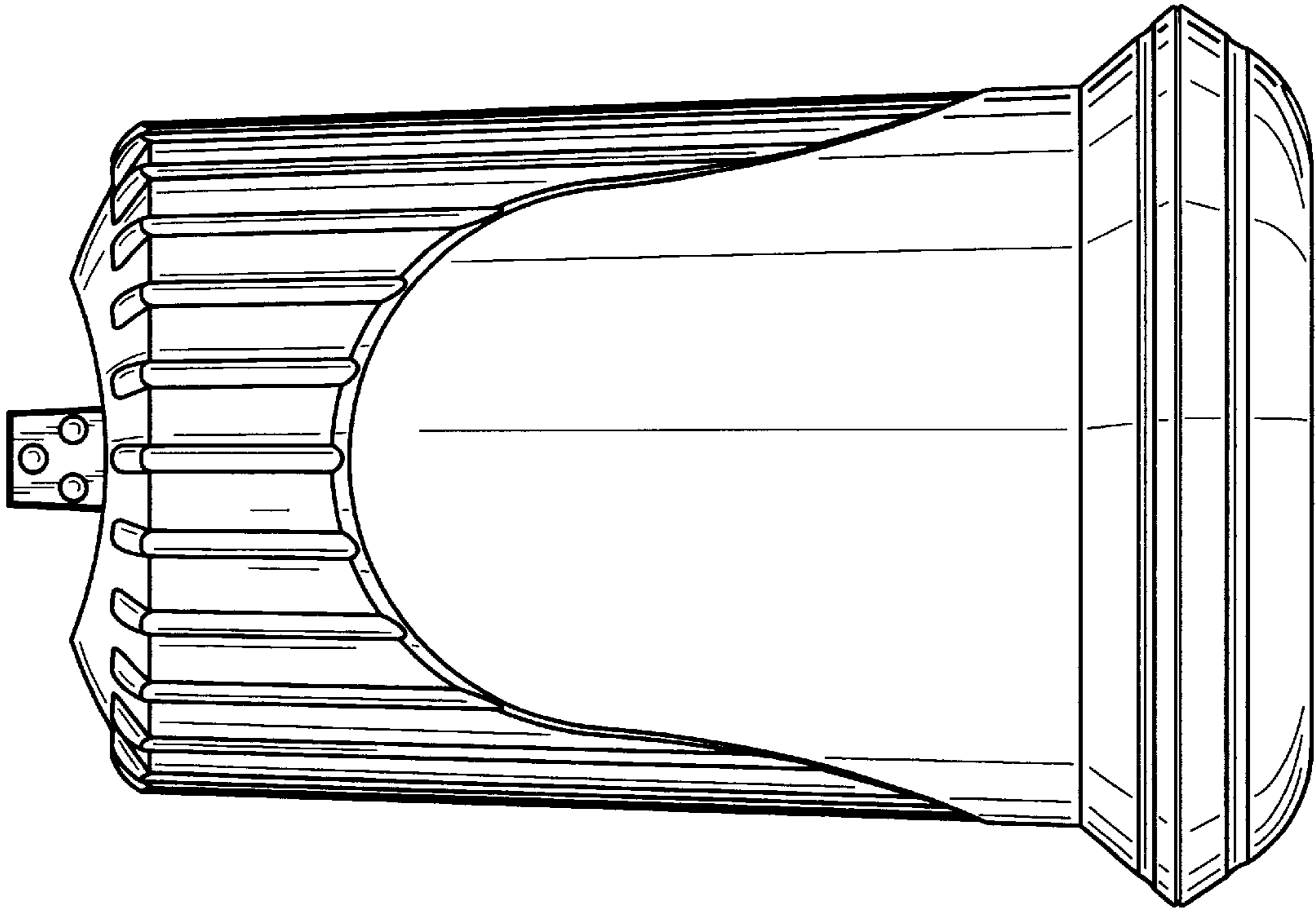


FIG. 3

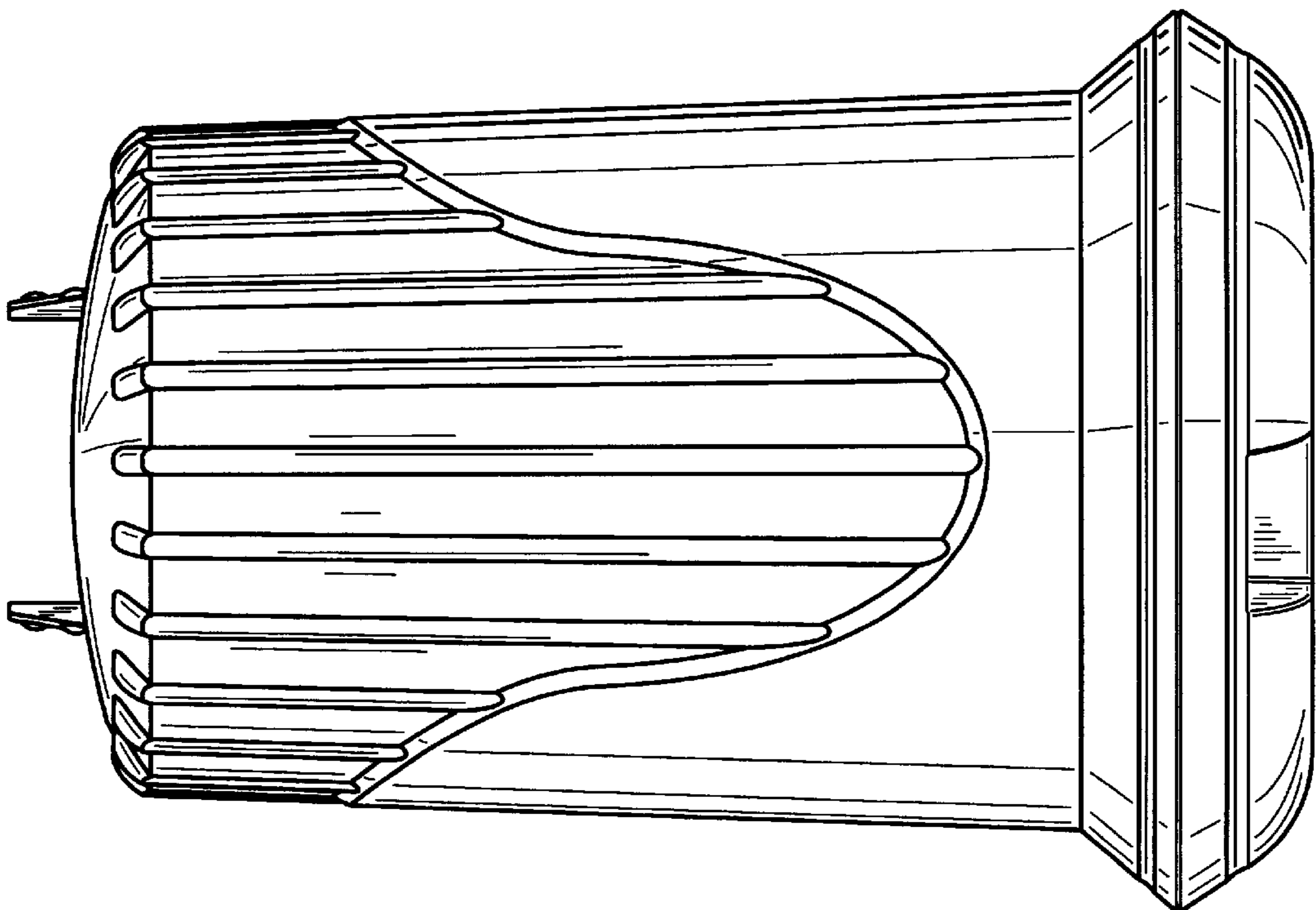


FIG. 4

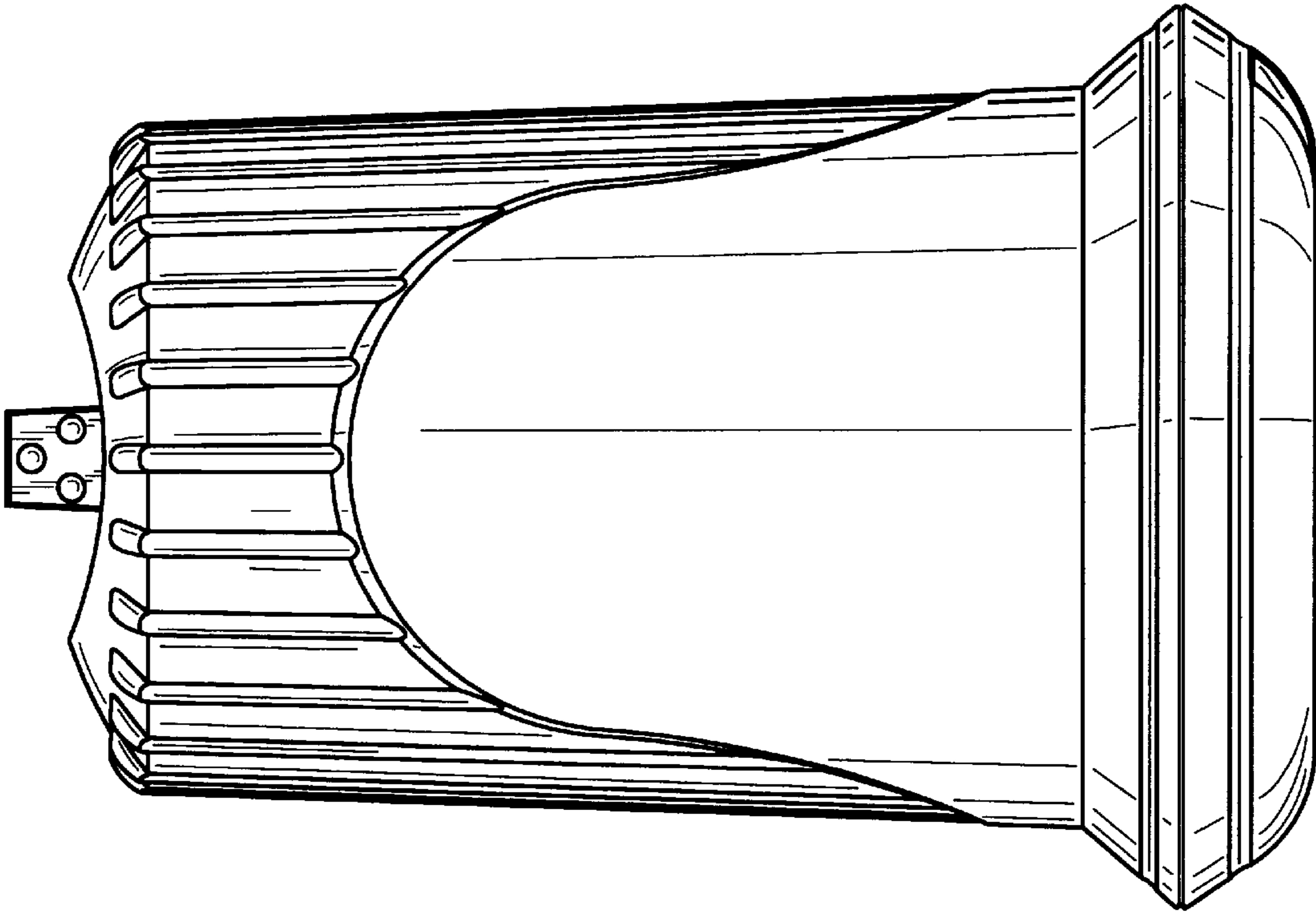


FIG. 6

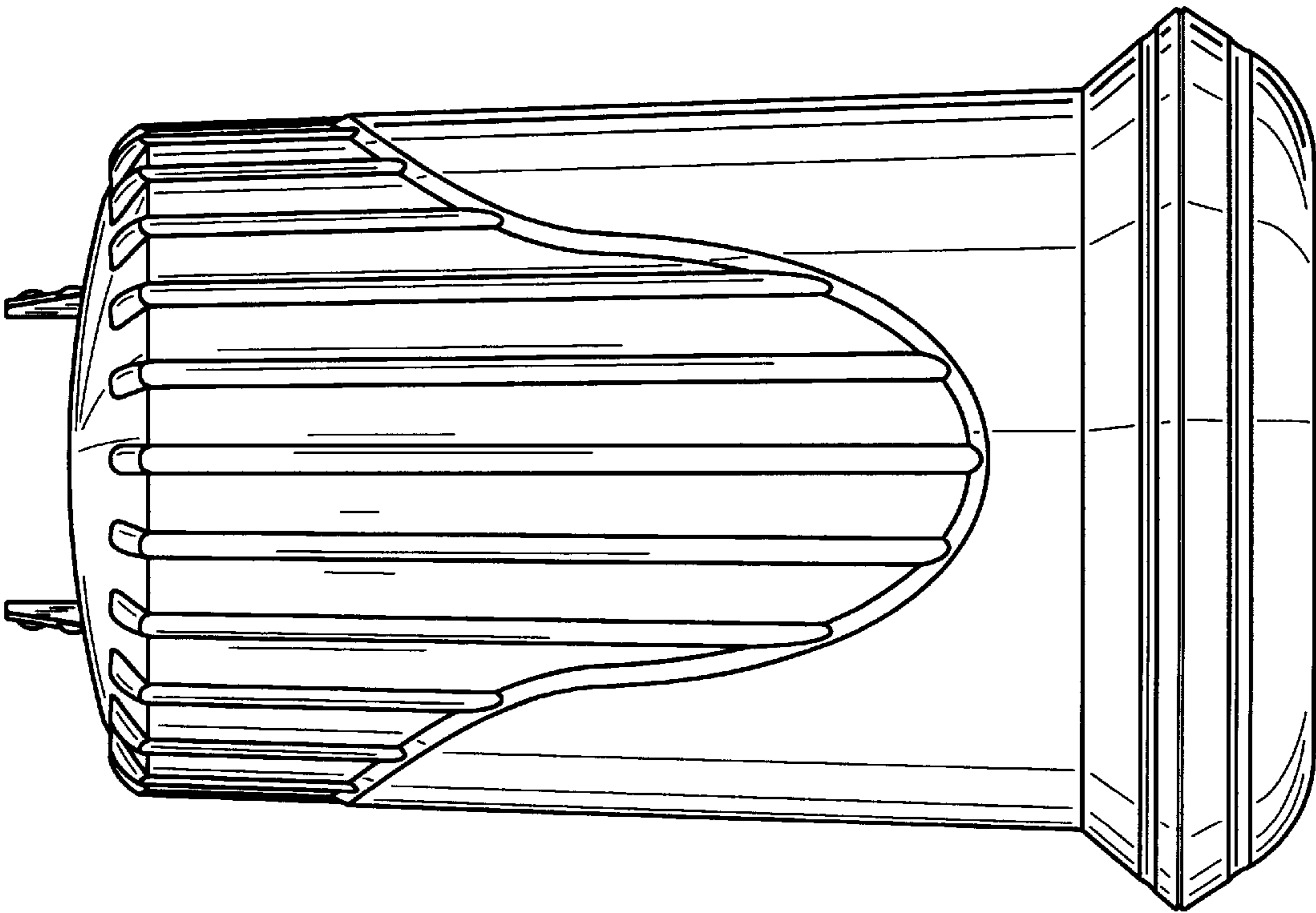


FIG. 5

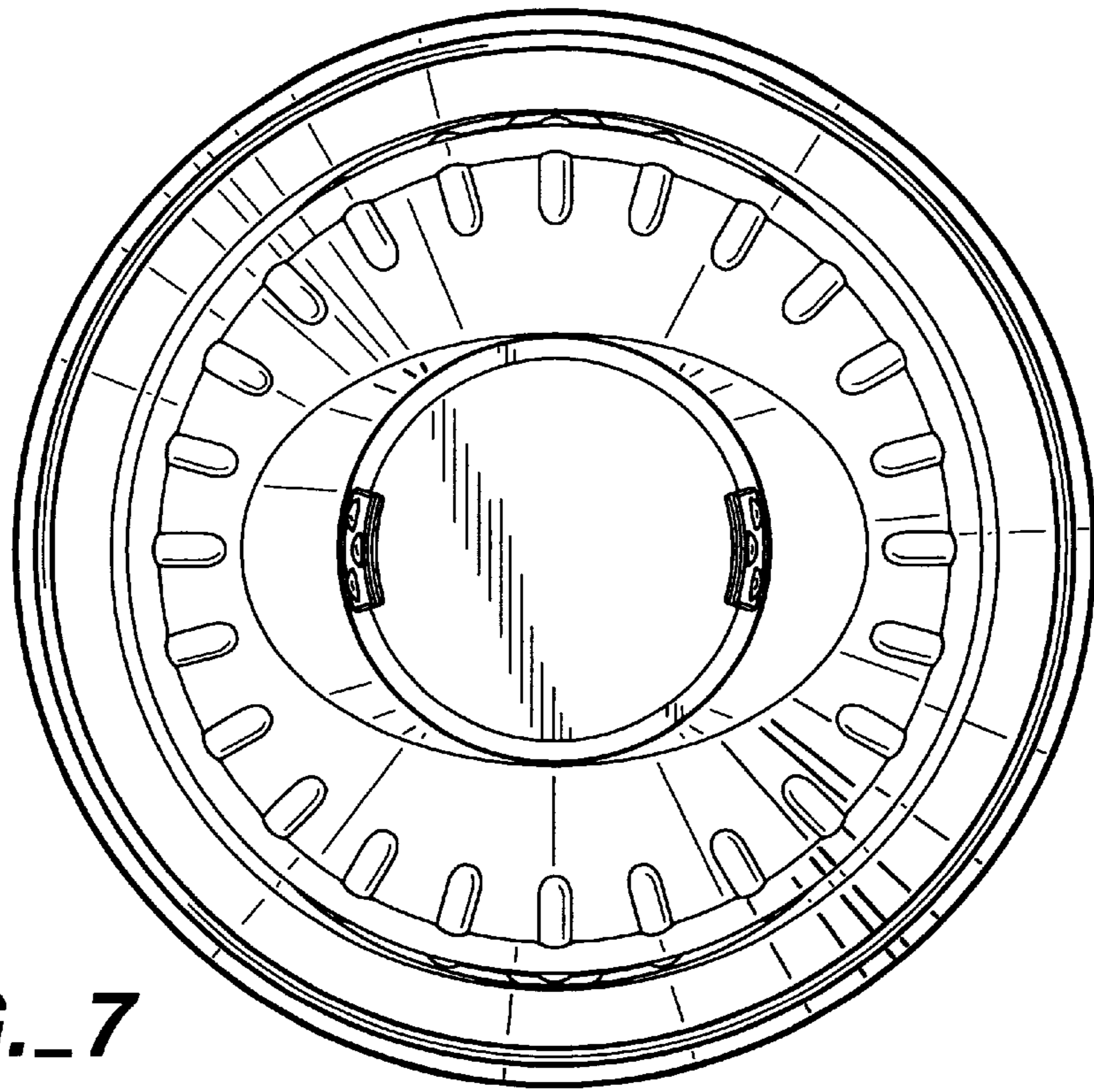


FIG. 7

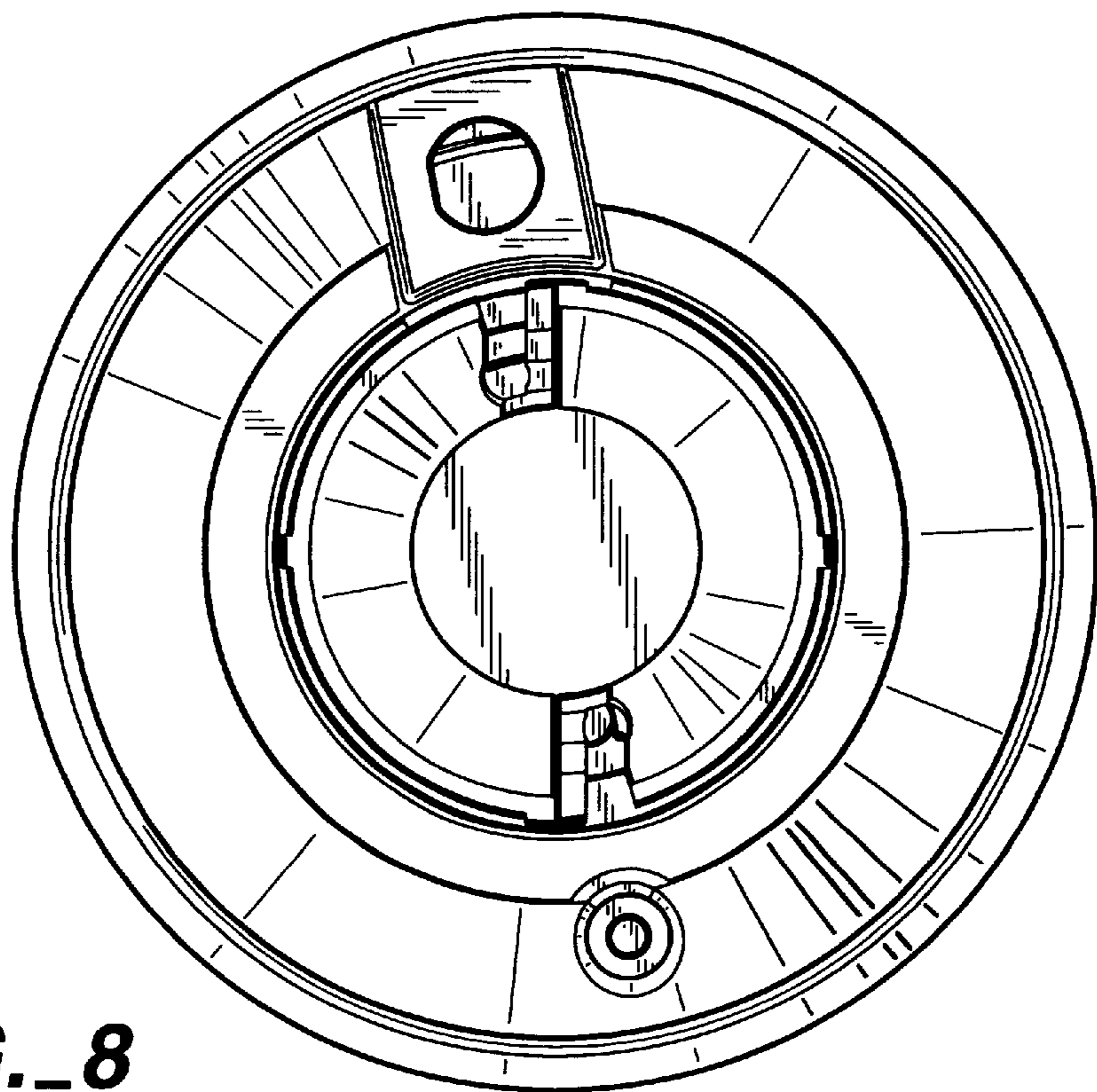


FIG. 8