



US00D442945S

(12) **United States Design Patent**  
**Mahgerefteh**

(10) **Patent No.:** **US D442,945 S**

(45) **Date of Patent:** **\*\* May 29, 2001**

(54) **WOOFER**

(76) Inventor: **Hersel Mahgerefteh**, 20491 Whitetree Cir., Huntington Beach, CA (US) 92646

(\*\*) Term: **14 Years**

(21) Appl. No.: **29/129,977**

(22) Filed: **Sep. 26, 2000**

(51) **LOC (7) Cl.** ..... **14-01**

(52) **U.S. Cl.** ..... **D14/221**

(58) **Field of Search** ..... D14/204, 207,  
D14/215, 216, 221, 222, 224; 181/141,  
144, 148, 150-155, 157, 199; 381/300-302,  
332-336, 386, 430-433

(56) **References Cited**

**U.S. PATENT DOCUMENTS**

D. 282,163	*	1/1986	Seebinger	.....	D14/222
D. 289,041	*	3/1987	Bittencourt	.....	D14/216
D. 320,020	*	9/1991	Iwano	.....	D14/224
1,808,297	*	6/1931	Dempster et al.	.....	381/432 X
5,073,948	*	12/1991	Vandersteen	.....	381/433

\* cited by examiner

*Primary Examiner*—Nanda Bondade

(74) *Attorney, Agent, or Firm*—Morland C. Fischer

(57) **CLAIM**

The ornamental design for a woofer, as shown and described.

**DESCRIPTION**

FIG. 1 is a perspective view showing the top, left side and front of a woofer which forms a first embodiment of my design;

FIG. 2 is a top plan view thereof;

FIG. 3 is a bottom plan view thereof;

FIG. 4 is a left side elevational view thereof;

FIG. 5 is a right elevational view thereof;

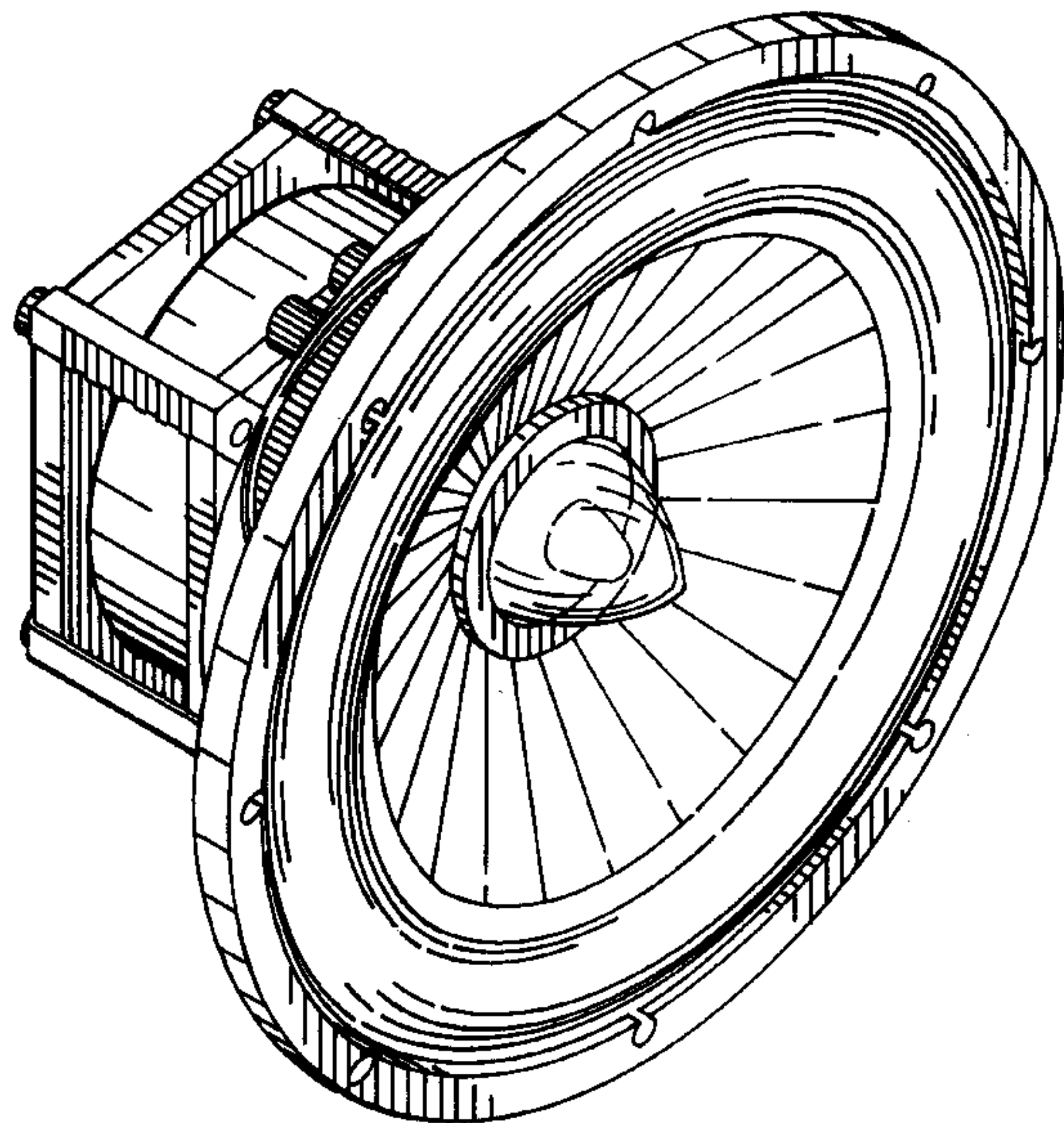
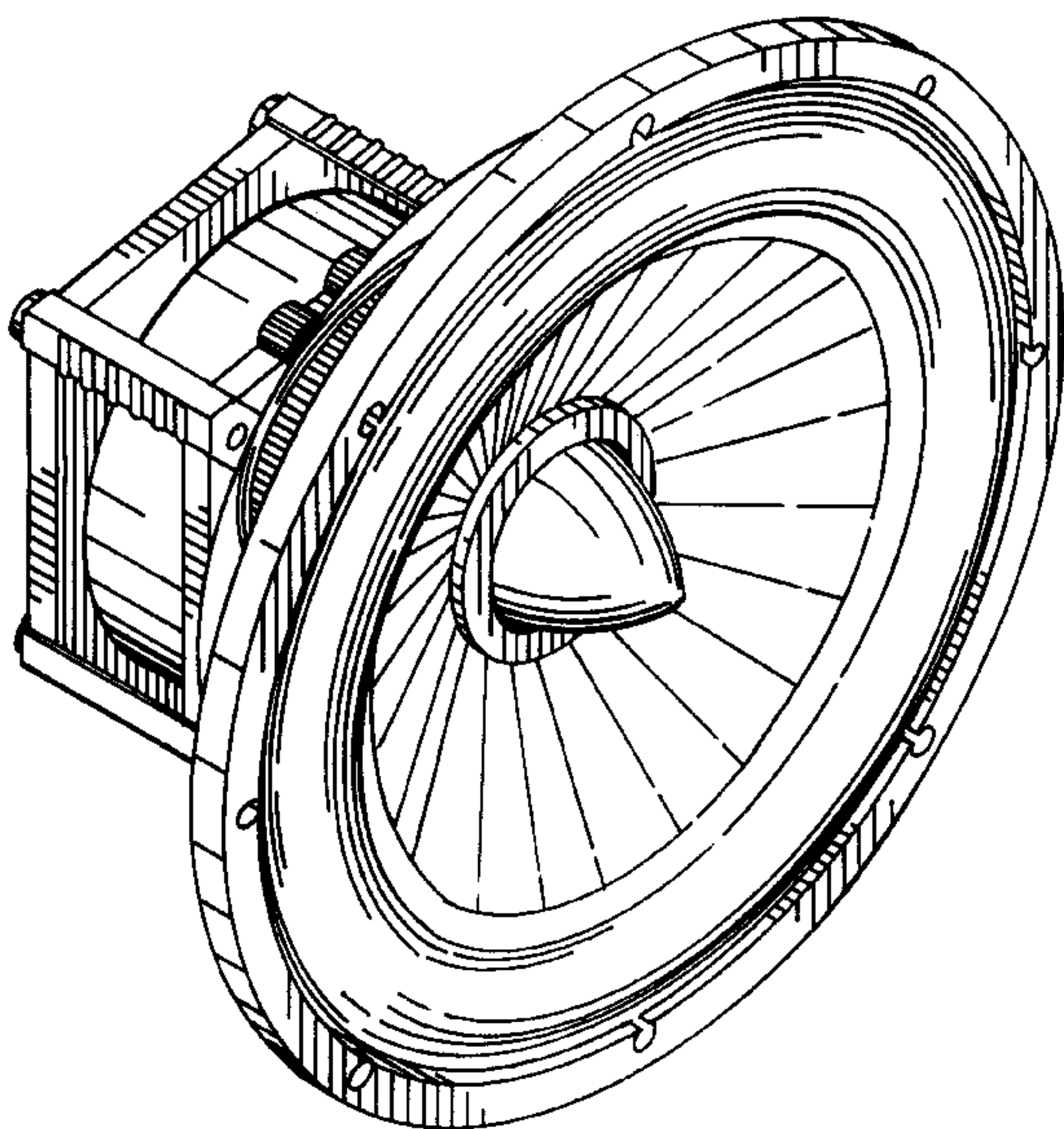
FIG. 6 is a front elevational view thereof;

FIG. 7 is a rear elevational view thereof;

FIG. 8 is a perspective view showing the top, left side and front of a woofer which forms an alternate embodiment of my design; and,

FIG. 9 is a front elevational view thereof; the top and bottom plan views, the left and right side elevational views, and the rear elevational view thereof being identical to the views shown in FIGS. 2, 3, 4, 5 and 7 respectively.

**1 Claim, 5 Drawing Sheets**



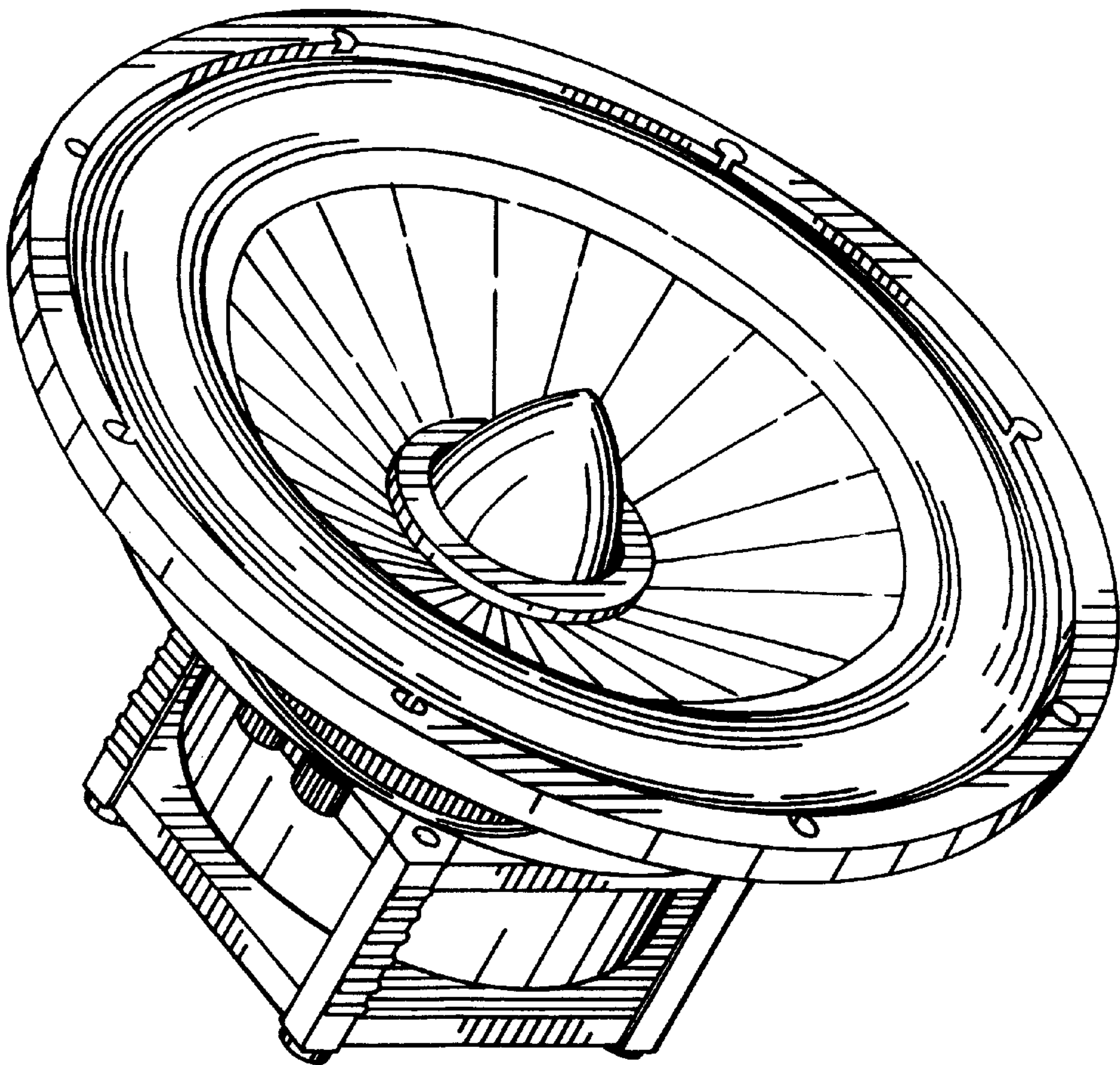


FIG. 1

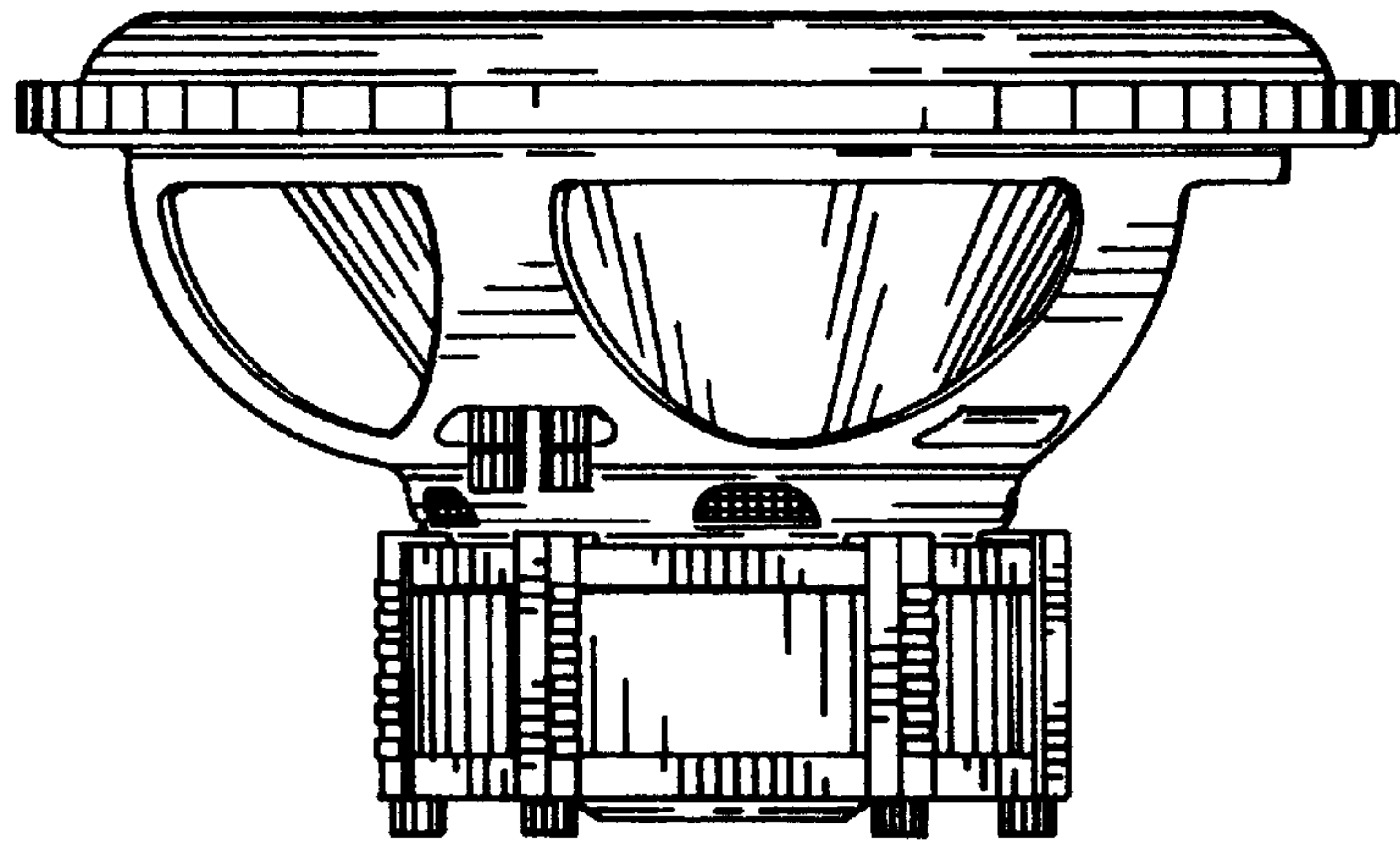


FIG. 2

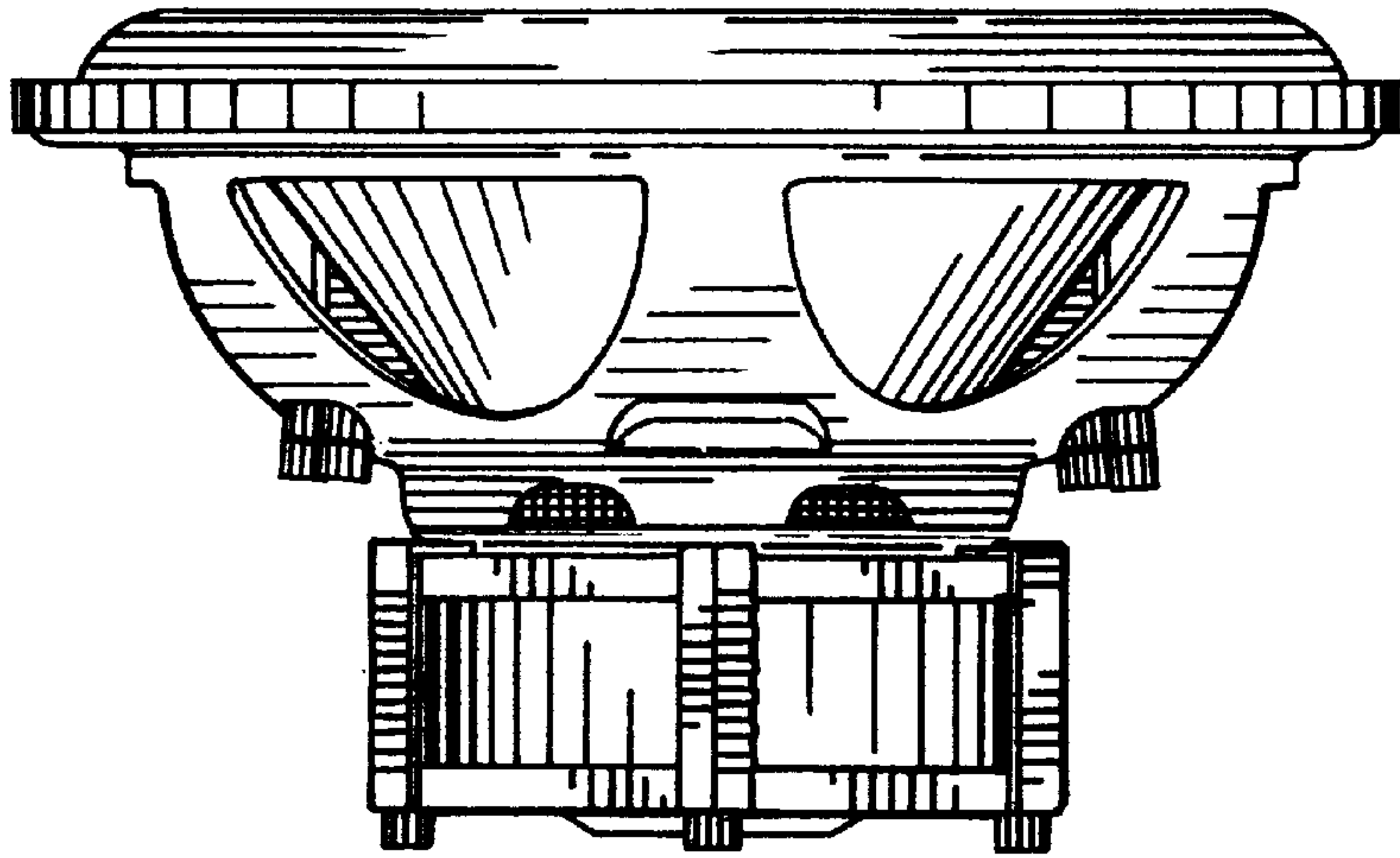


FIG. 4

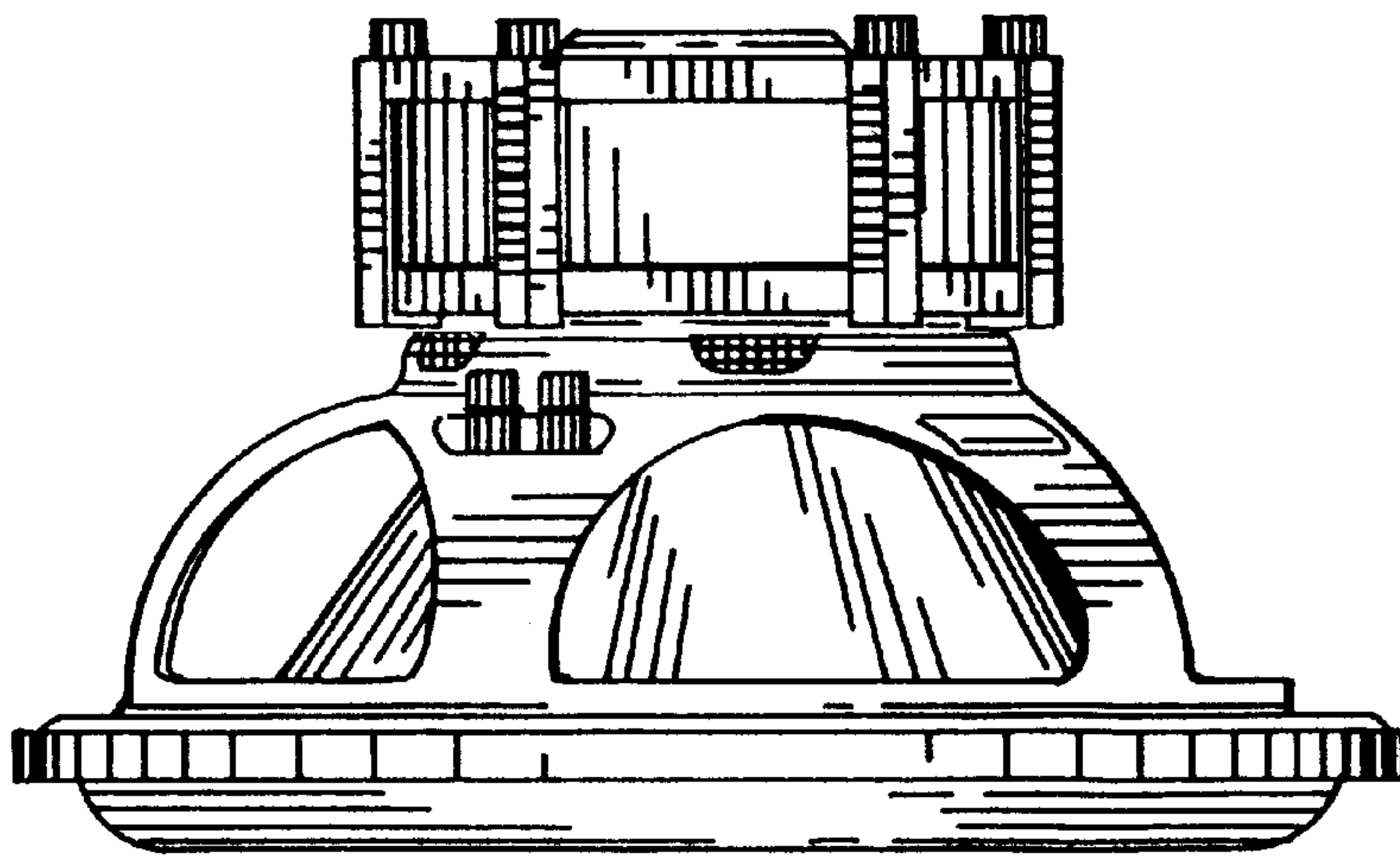


FIG. 3



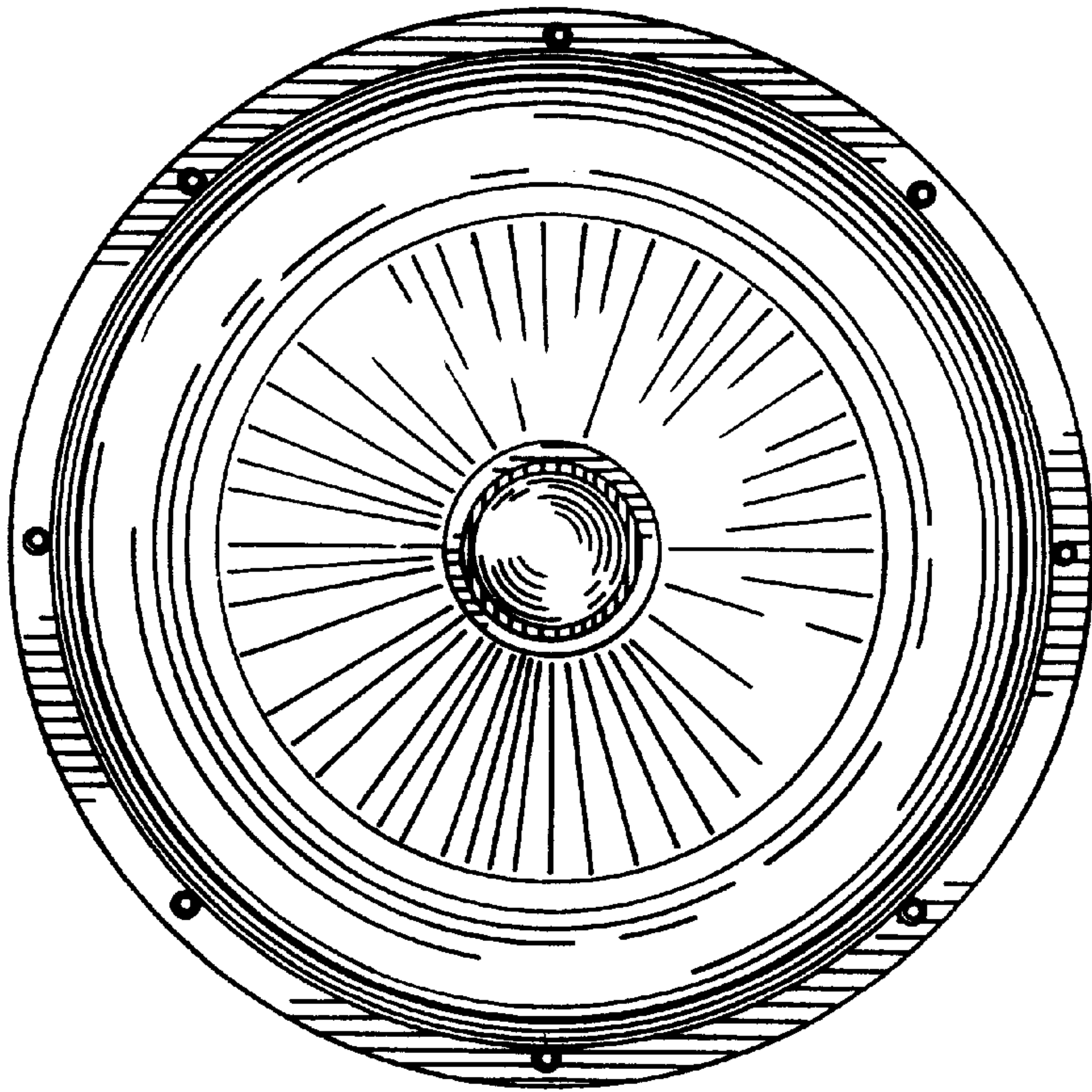


FIG. 6

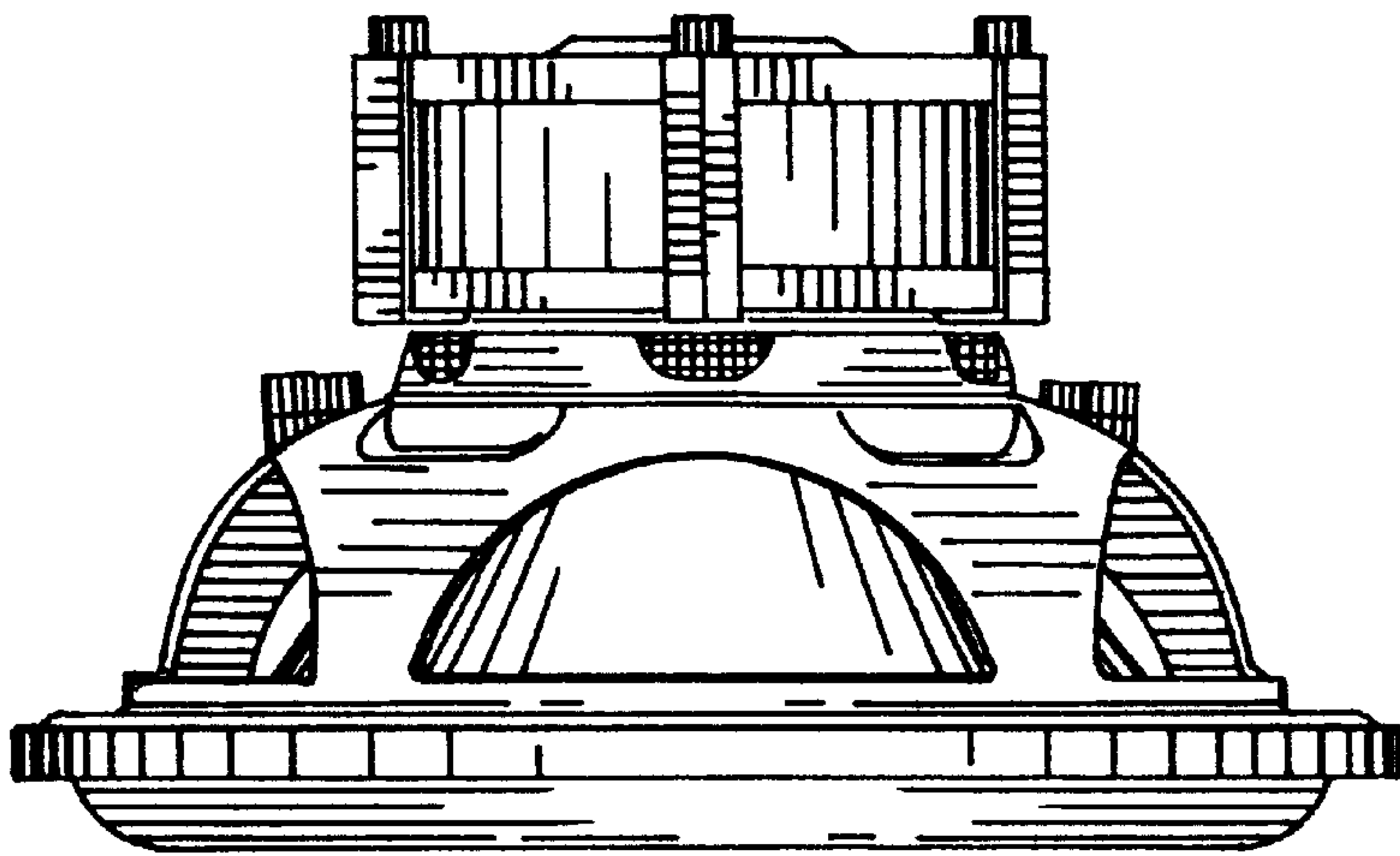


FIG. 5

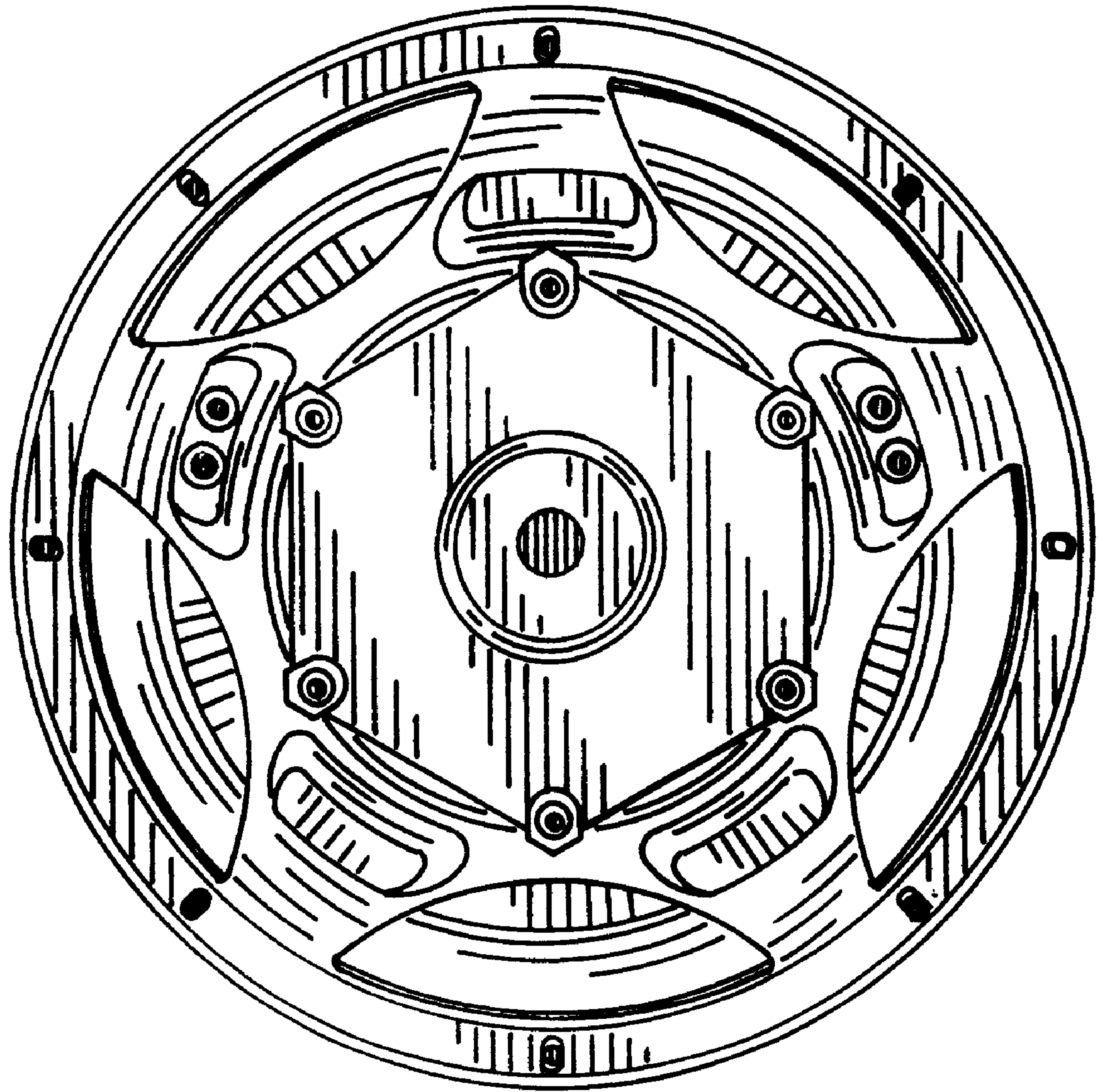


FIG. 7

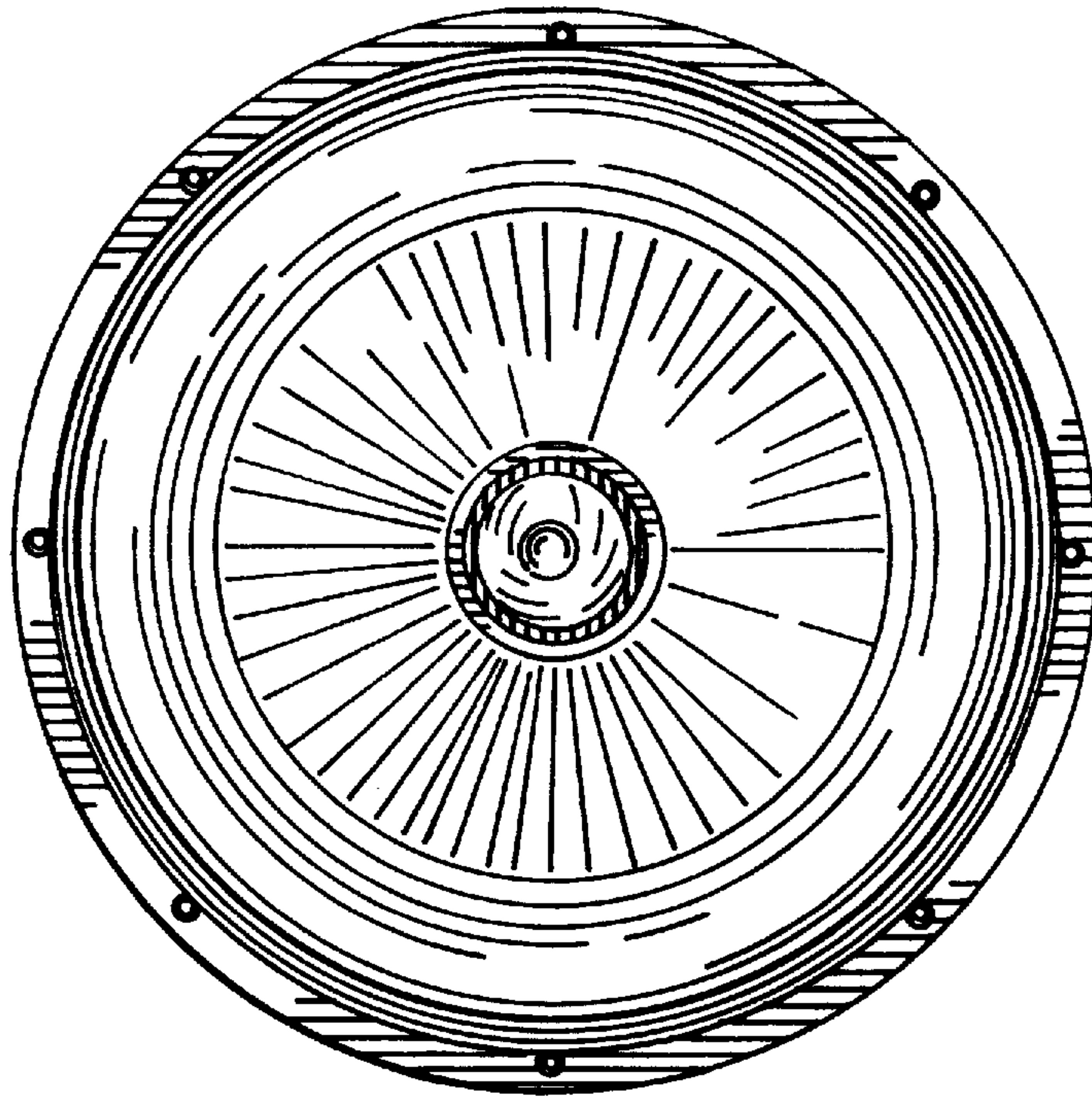


FIG. 9

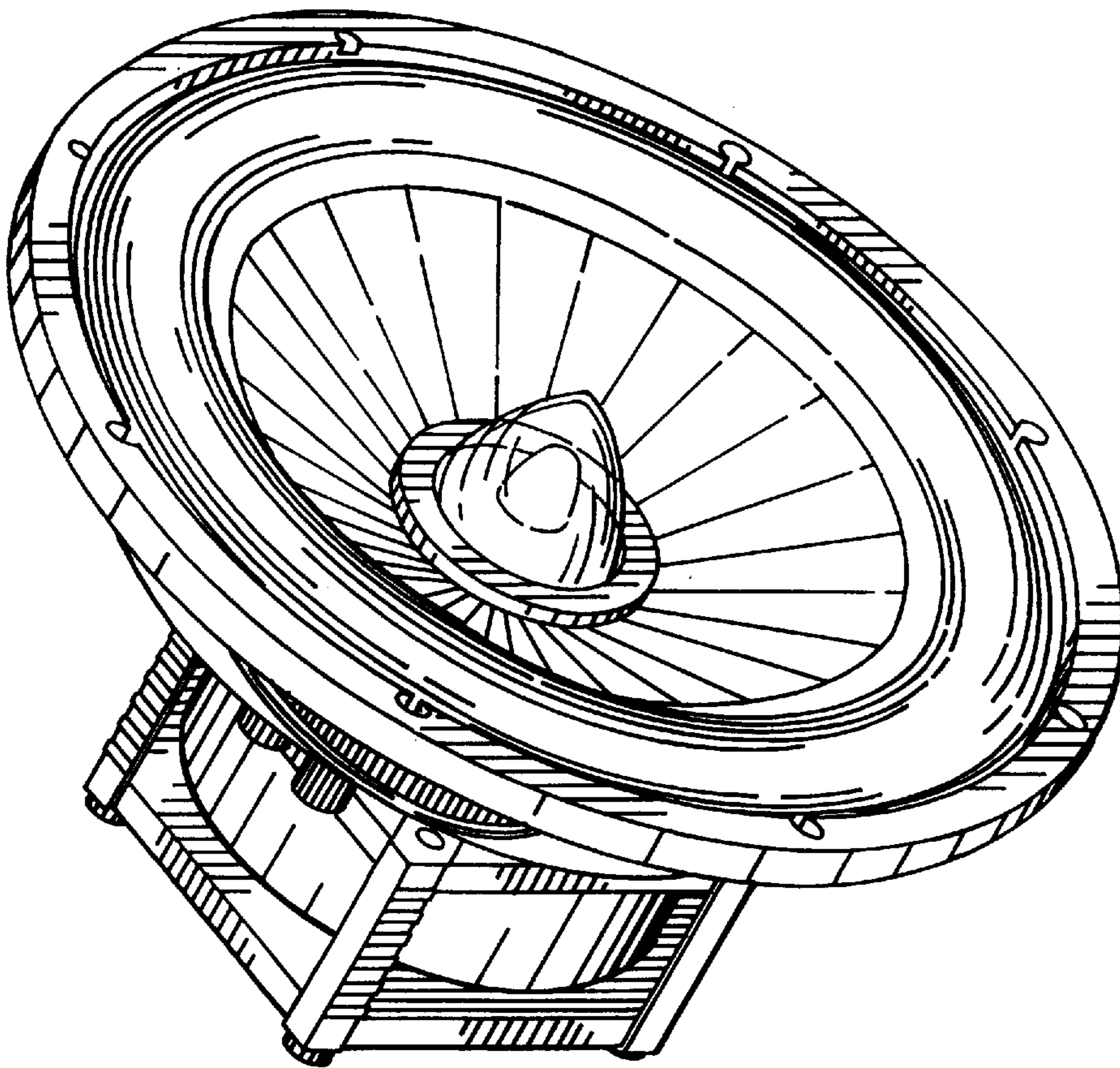


FIG. 8