



US00D442942S

(12) **United States Design Patent**
Tsuge

(10) **Patent No.:** **US D442,942 S**

(45) **Date of Patent:** **** May 29, 2001**

(54) **SPEAKER BOX**

(75) Inventor: **Takahiro Tsuge**, Tokyo (JP)

(73) Assignee: **Sony Corporation** (JP)

(**) Term: **14 Years**

(21) Appl. No.: **29/117,479**

(22) Filed: **Jan. 28, 2000**

(51) **LOC (7) Cl.** **14-01**

(52) **U.S. Cl.** **D14/214**

(58) **Field of Search** D14/204, 210-216,
D14/219; 181/144-148, 150, 152, 198-199;
381/89, 182, 300-302, 307, 359, 361, 386,
395

(56) **References Cited**

U.S. PATENT DOCUMENTS

D. 348,267	*	6/1994	Yurkonis et al.	D14/214
D. 379,183	*	5/1997	Lin	D14/214
D. 400,883	*	11/1998	Jung	D14/214
D. 410,006		5/1999	Miyazaki	D14/214
D. 412,505	*	8/1999	Matsuoka	D14/214 X
D. 418,139	*	12/1999	Matsuoka	D14/214

OTHER PUBLICATIONS

Catalog "92", p. 152, Sony, Jul. 1999.
Catalog "93", p. 169, Sony, Nov. 1999.
Sony Style, pp. 78, 79, & 90, Sony, Fall/Winter 1998.
Catalog, Sony Inside, pp. 133, Fall/Winter 1999/2000.
Catalog "Kenwood Audio Products," pp. 1 & 2, Kenwood,
Nov. 1999.

* cited by examiner

Primary Examiner—Nanda Bondade

(74) *Attorney, Agent, or Firm*—Rader, Fishman & Grauer

(57) **CLAIM**

The ornamental design for a speaker box, as shown and described.

DESCRIPTION

FIG. 1 is a perspective view of the front portion of a speaker box showing my design;

FIG. 2 is a top plan view thereof;

FIG. 3 is a front elevational view thereof;

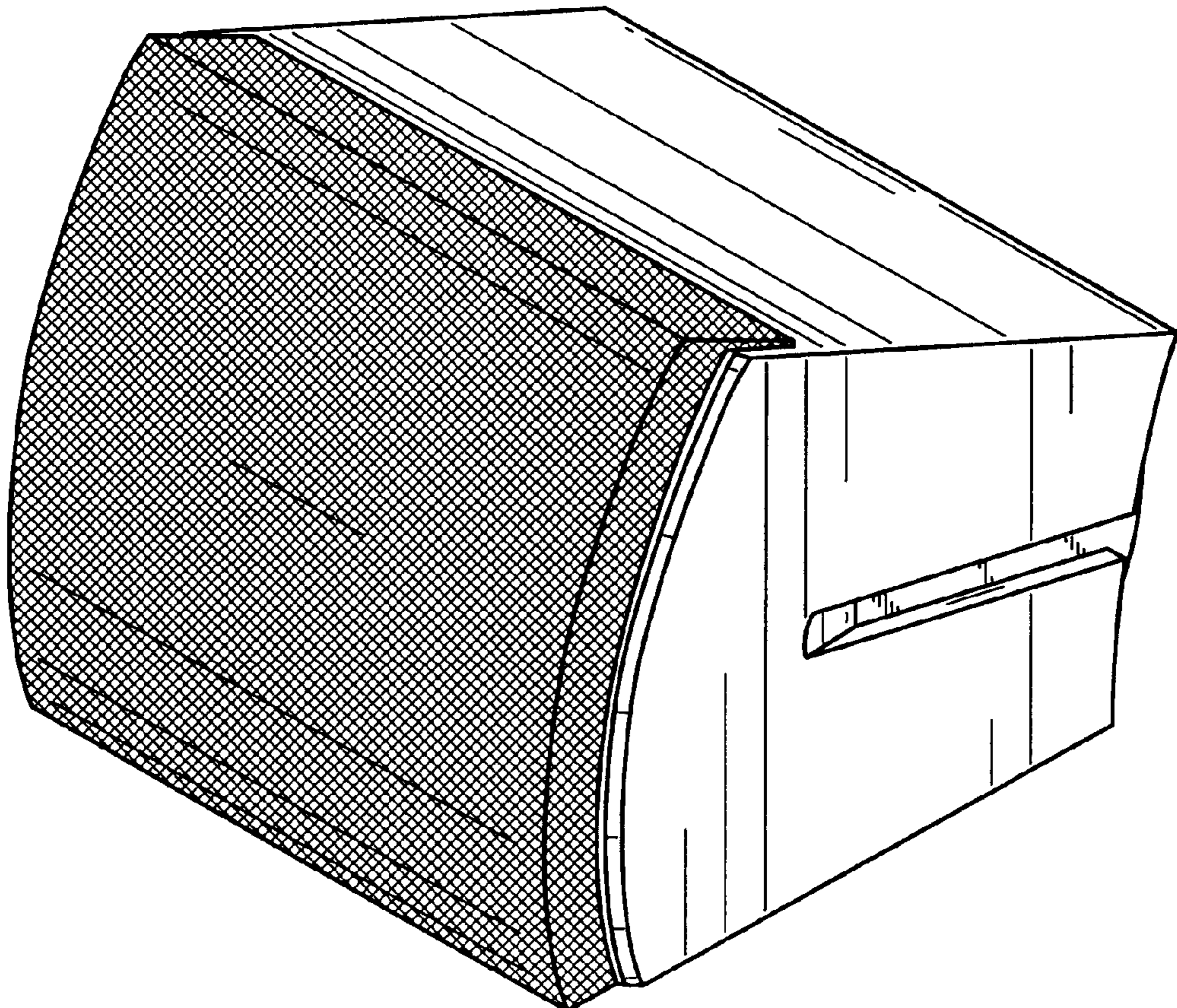
FIG. 4 is a right side elevational view thereof;

FIG. 5 is a bottom plan view thereof;

FIG. 6 is a rear elevational view thereof; and,

FIG. 7 is a left side elevational view thereof.

1 Claim, 4 Drawing Sheets



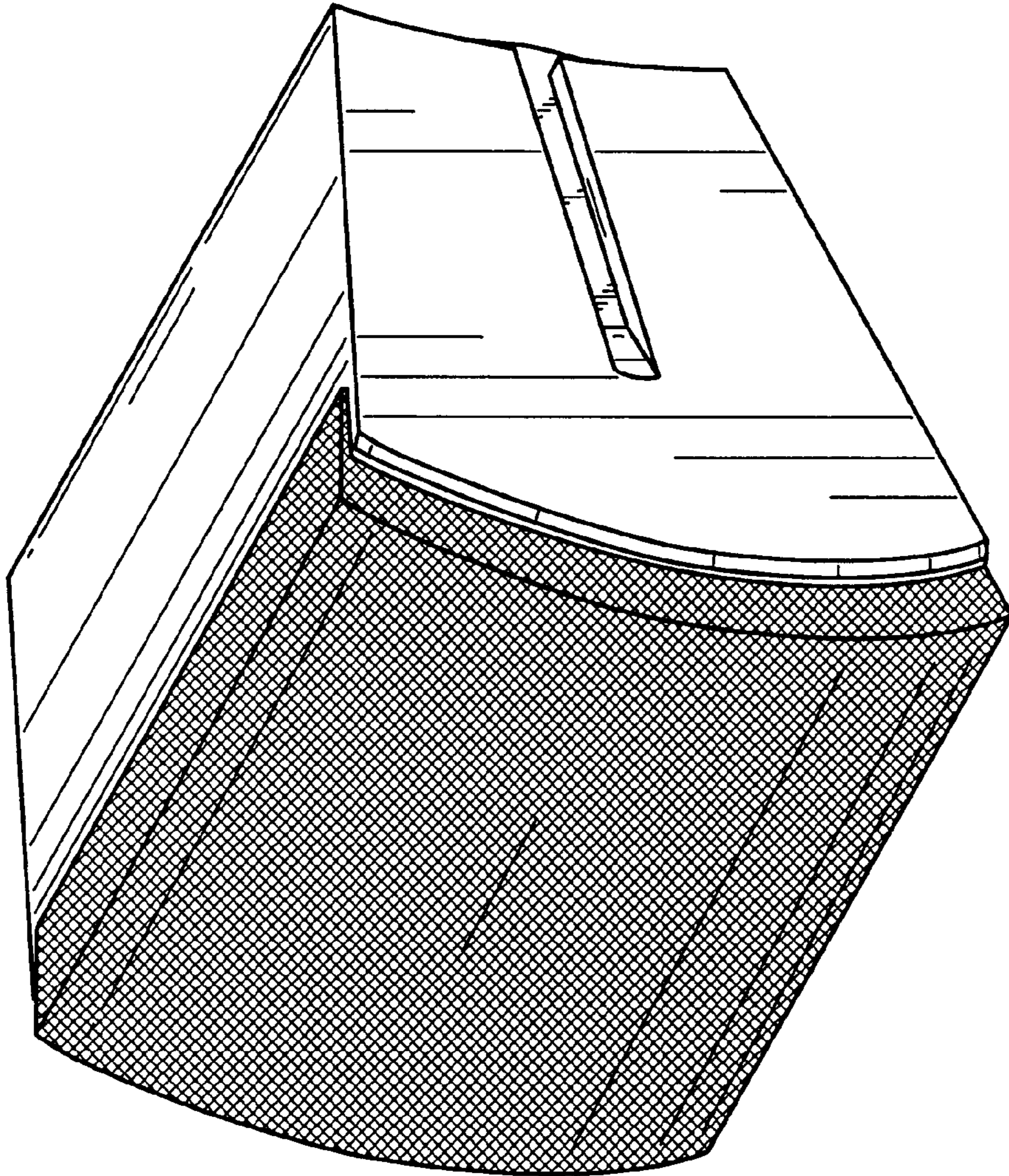


FIG. 1

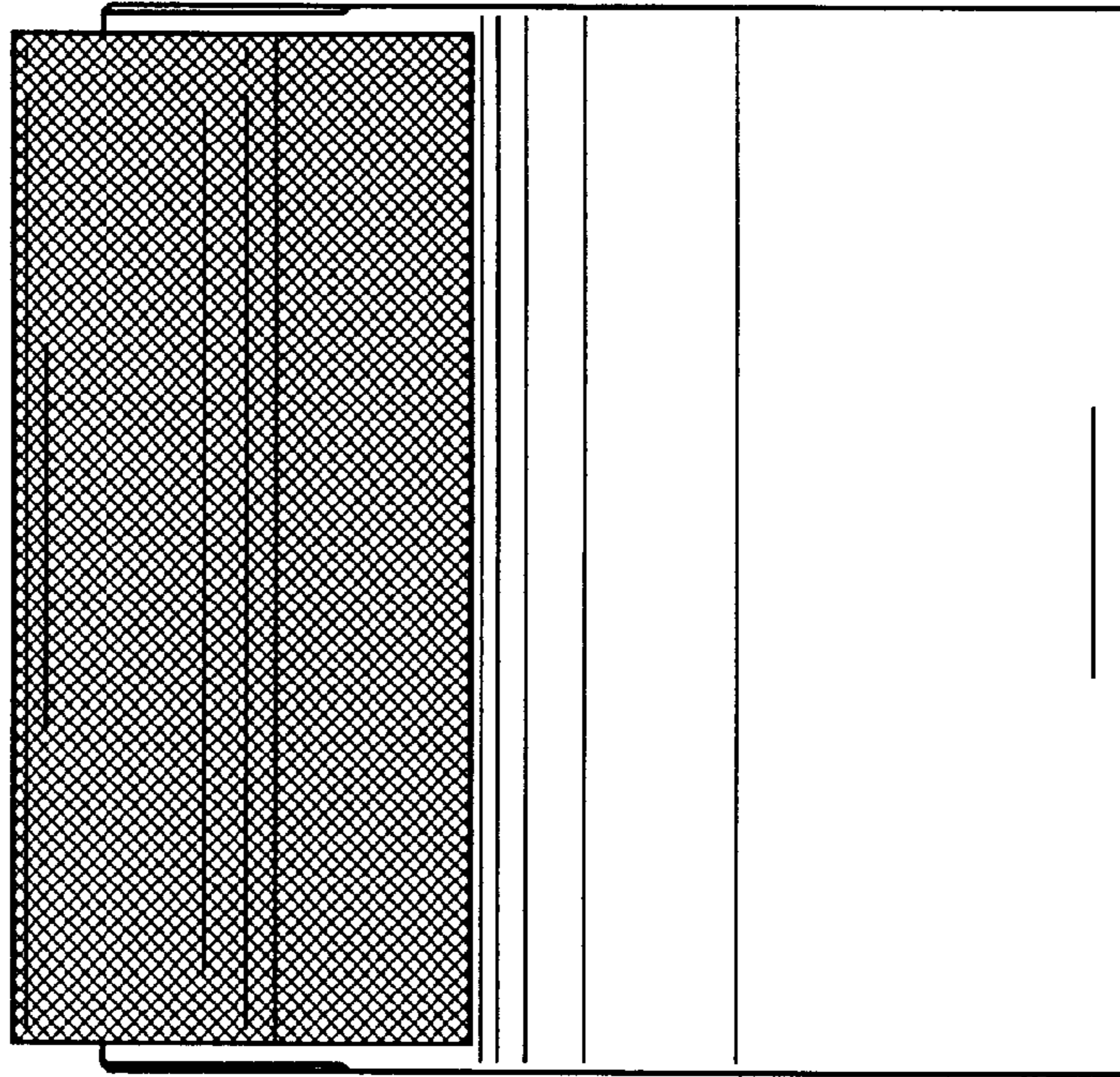


FIG. 2

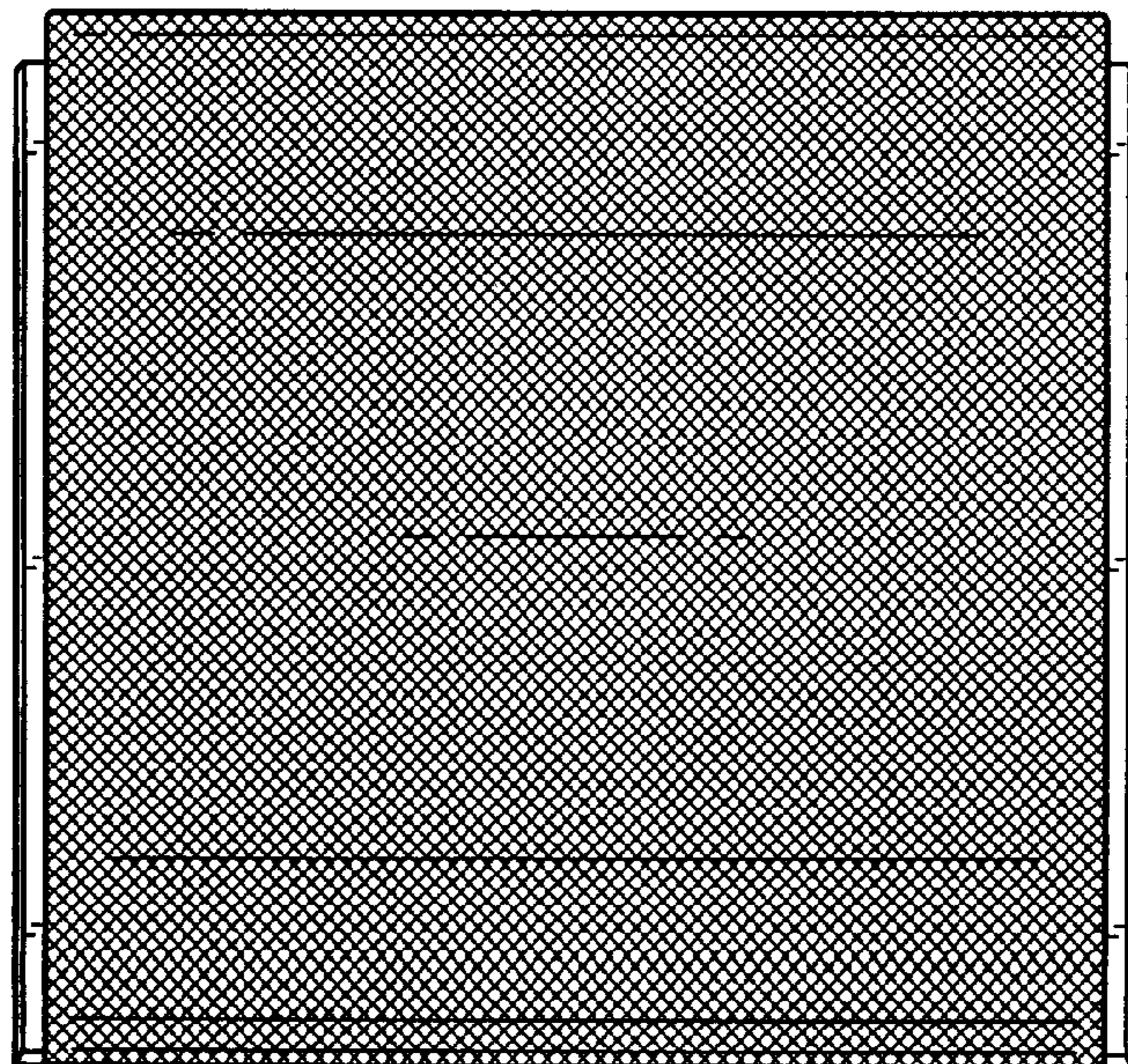


FIG. 3

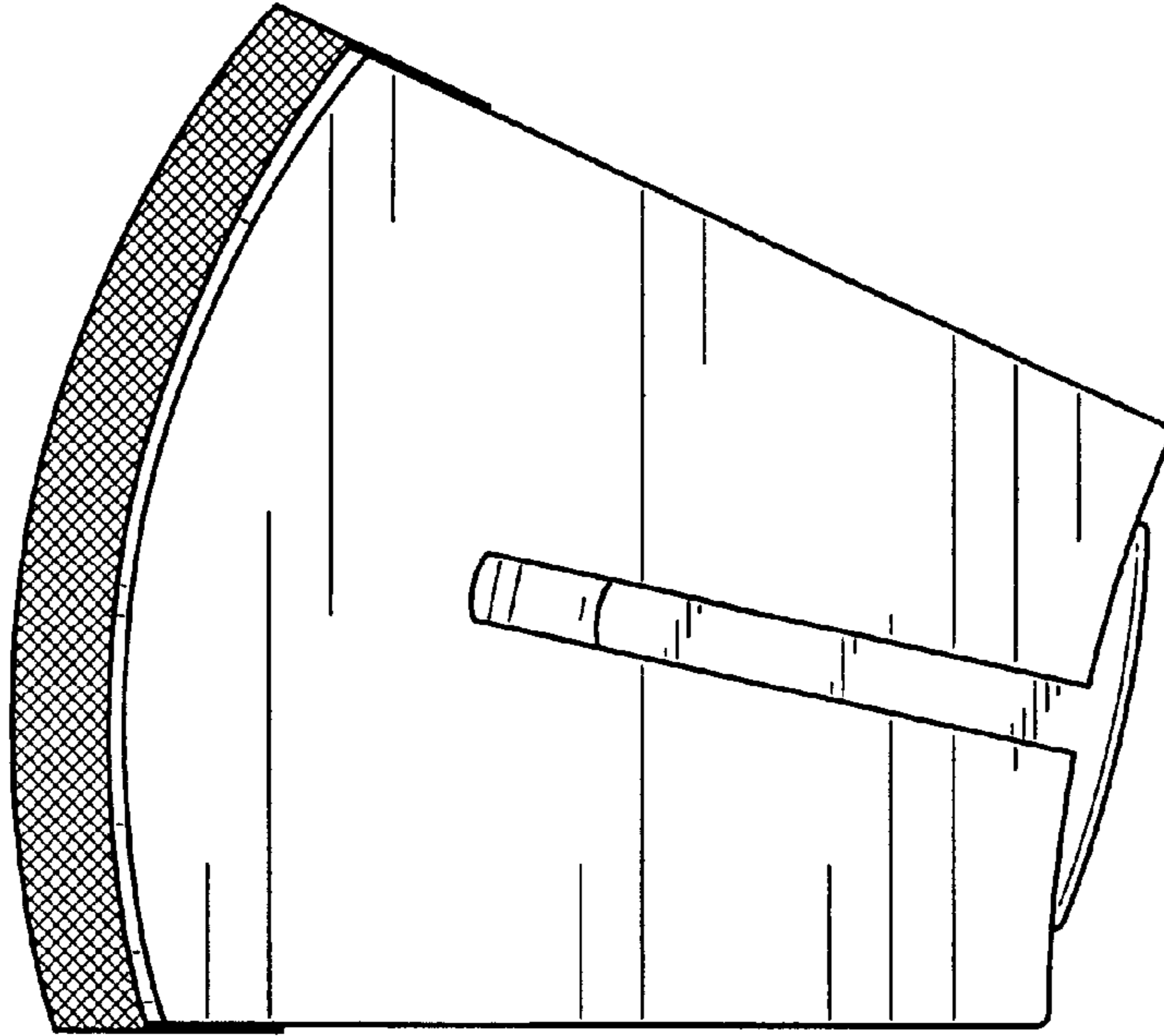


FIG. 4

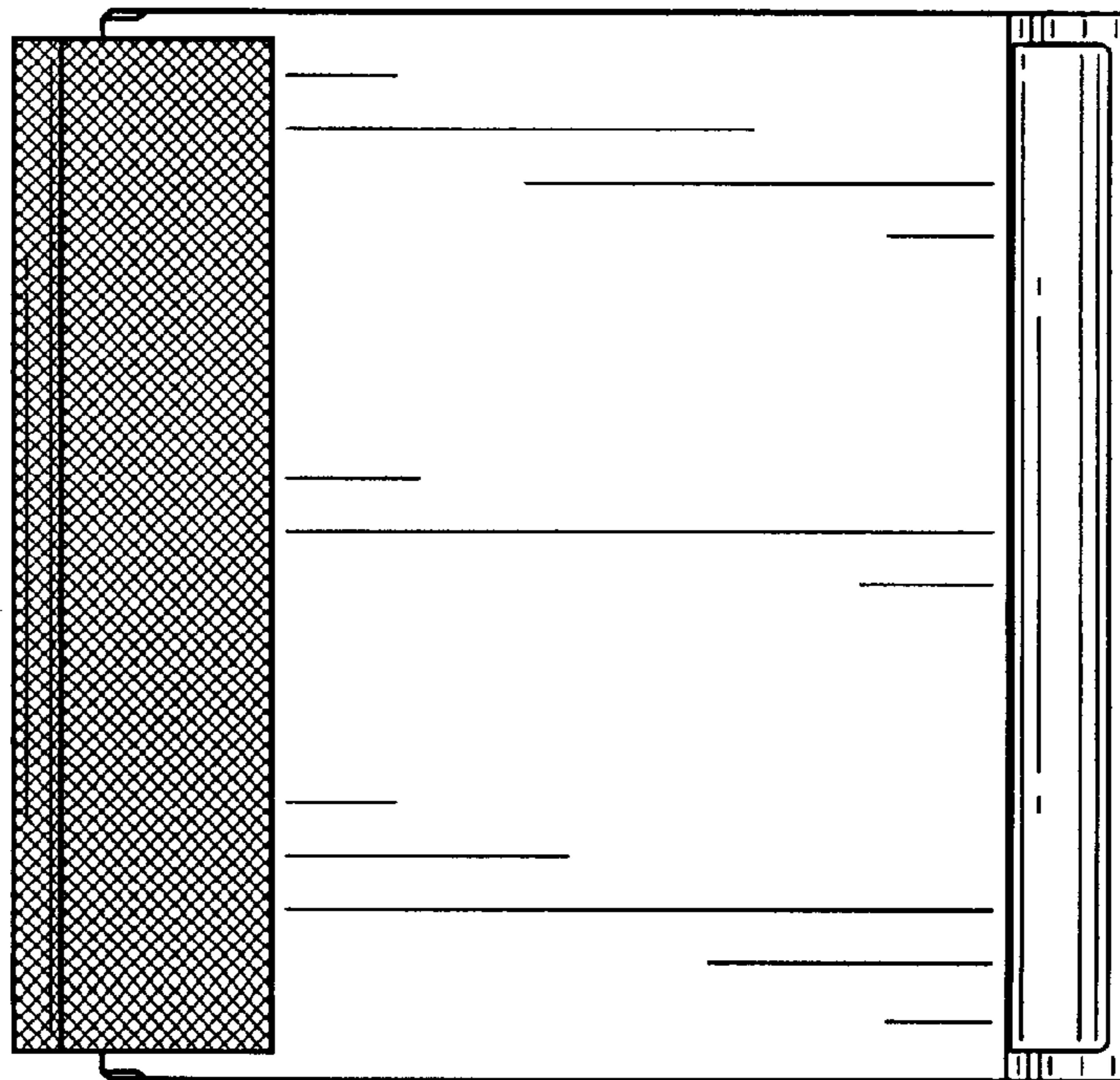


FIG. 5

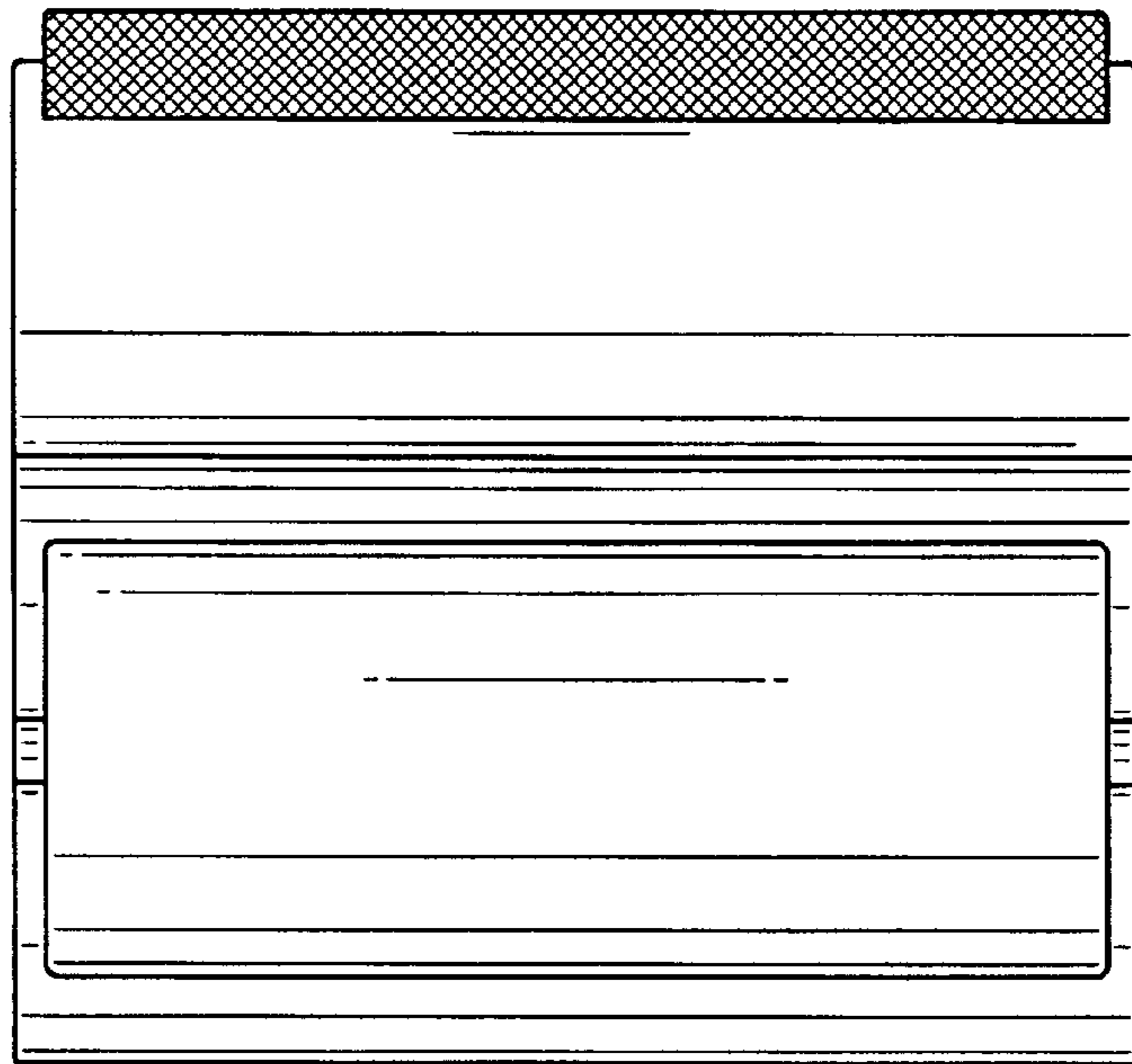


FIG. 6

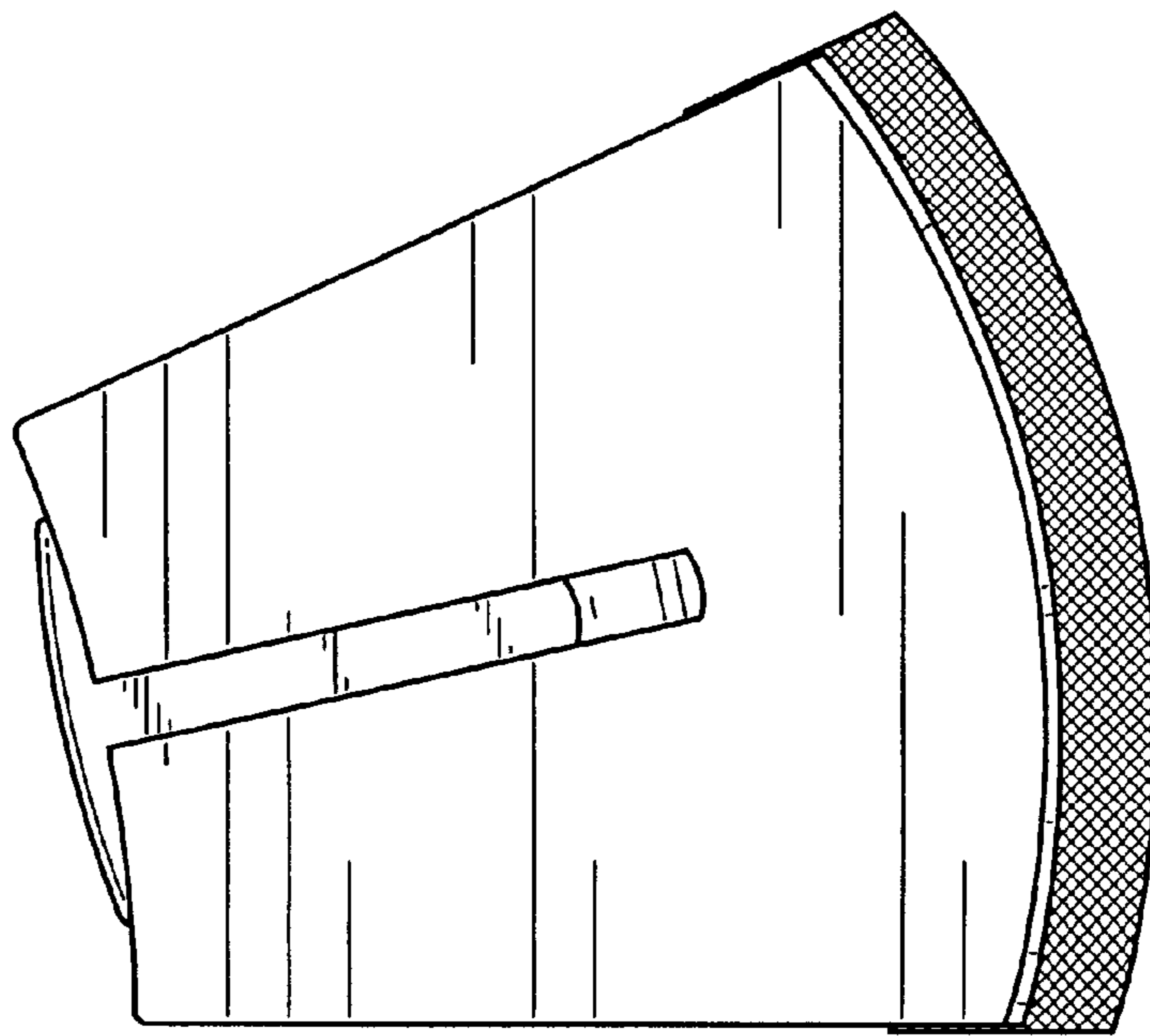


FIG. 7