



US00D442938S

(12) **United States Design Patent**
Hough et al.

(10) **Patent No.:** **US D442,938 S**

(45) **Date of Patent:** **** May 29, 2001**

(54) **STEREO MONITOR RECEIVER**

(75) Inventors: **Jack Brian Hough**, Chicago; **Robert J. Brainard**, Elgin, both of IL (US)

(73) Assignee: **Shure Incorporated**, Evanston, IL (US)

(**) Term: **14 Years**

(21) Appl. No.: **29/117,781**

(22) Filed: **Jan. 21, 2000**

(51) **LOC (7) Cl.** **14-03**

(52) **U.S. Cl.** **D14/188**

(58) **Field of Search** D14/137, 160-165,
D14/167-168, 188, 191-198, 206, 225-229;
181/158, 242; 381/91-95, 122, 369; 455/344,
347, 350, 351

(56) **References Cited**

U.S. PATENT DOCUMENTS

- D. 273,010 * 3/1984 Hamada et al. D14/198
- D. 302,157 * 7/1989 Vories D14/188 X
- D. 369,166 * 4/1996 Jones D14/191
- D. 395,885 7/1998 Hough et al. D14/188
- D. 416,905 * 11/1999 Laskin et al. D14/192

OTHER PUBLICATIONS

Web page from <http://www.garwood-radio.com/catalogue/lv1.html>.

Web page from <http://www.garwood-radio.com/catalogue/lv2.html>.

Web pp. (1-2) from <http://www.samsontech.com/audio/ear-amp.html>.

Web pp. (1-2) from <http://www.beyerdynamc.de/com/product/sheets/d387.php3>.

Web page from <http://www.sennheiser.com/evolution/ewl/iem.html>.

Web page from <http://www.web.tin.it/aeb/wireless/iem/e100rcar.htm>.

Web pp. (1-3) <http://www.akg-acoustics.com/english/wireless/ivml.htm>.

Web pp. (1-2) <http://www.trantec.co.uk/s5000iemp.htm>.

Web pp. (1-2) <http://www.rldrake.com/al/MR306/mr306.html>.

Page from product literature for NADY E03 Personal In Ear Monitor Wireless System.

Page from product literature for NADY SEIVI-6000 Professional VHF Wireless Stereo Ear Monitor System.

Web pp. (1-2) http://www.sennheiser.com/audiology/ar_1d001.htm.

* cited by examiner

Primary Examiner—Nanda Bondade

(74) *Attorney, Agent, or Firm*—Banner & Witcoff, Ltd.

(57) **CLAIM**

The ornamental design for a stereo monitor receiver, as shown and described.

DESCRIPTION

FIG. 1 is an isometric view of a stereo monitor receiver showing our new design;

FIG. 2 is a front elevational view thereof;

FIG. 3 is a right side elevational view thereof;

FIG. 4 is a top plan view thereof;

FIG. 5 is a rear elevational view thereof;

FIG. 6 is a left side elevational view thereof; and,

FIG. 7 is a bottom plan view thereof.

The broken lines that show the clip and other details on FIGS. 1-7 and the broken lines that define the bounds of the claimed design on FIGS. 1, 4, 5 and 7 are for illustrative purposes only and form no part of the claimed design.

The broken lines that define the bounds of the claimed design form no part thereof.

1 Claim, 2 Drawing Sheets

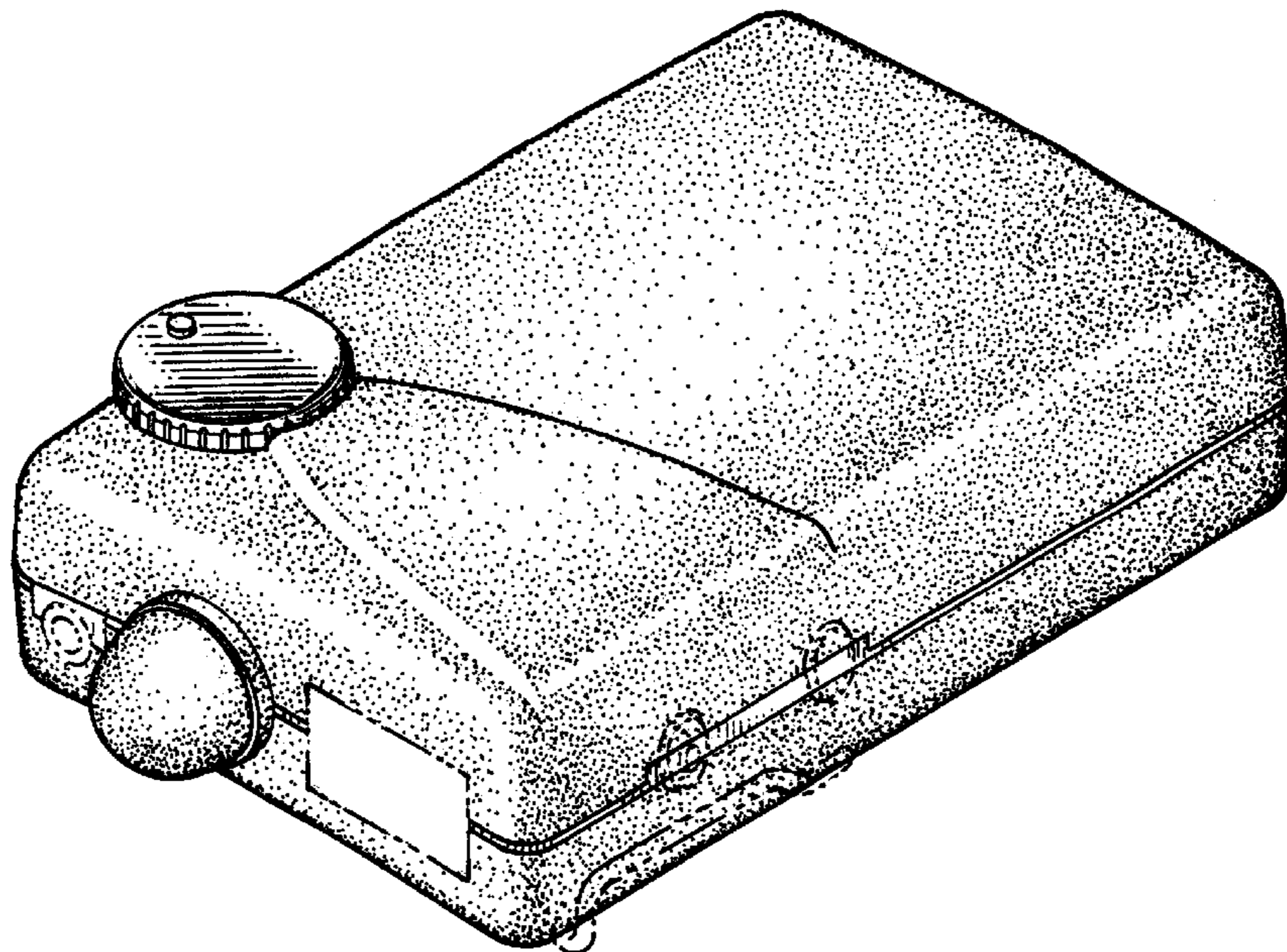


FIG.1

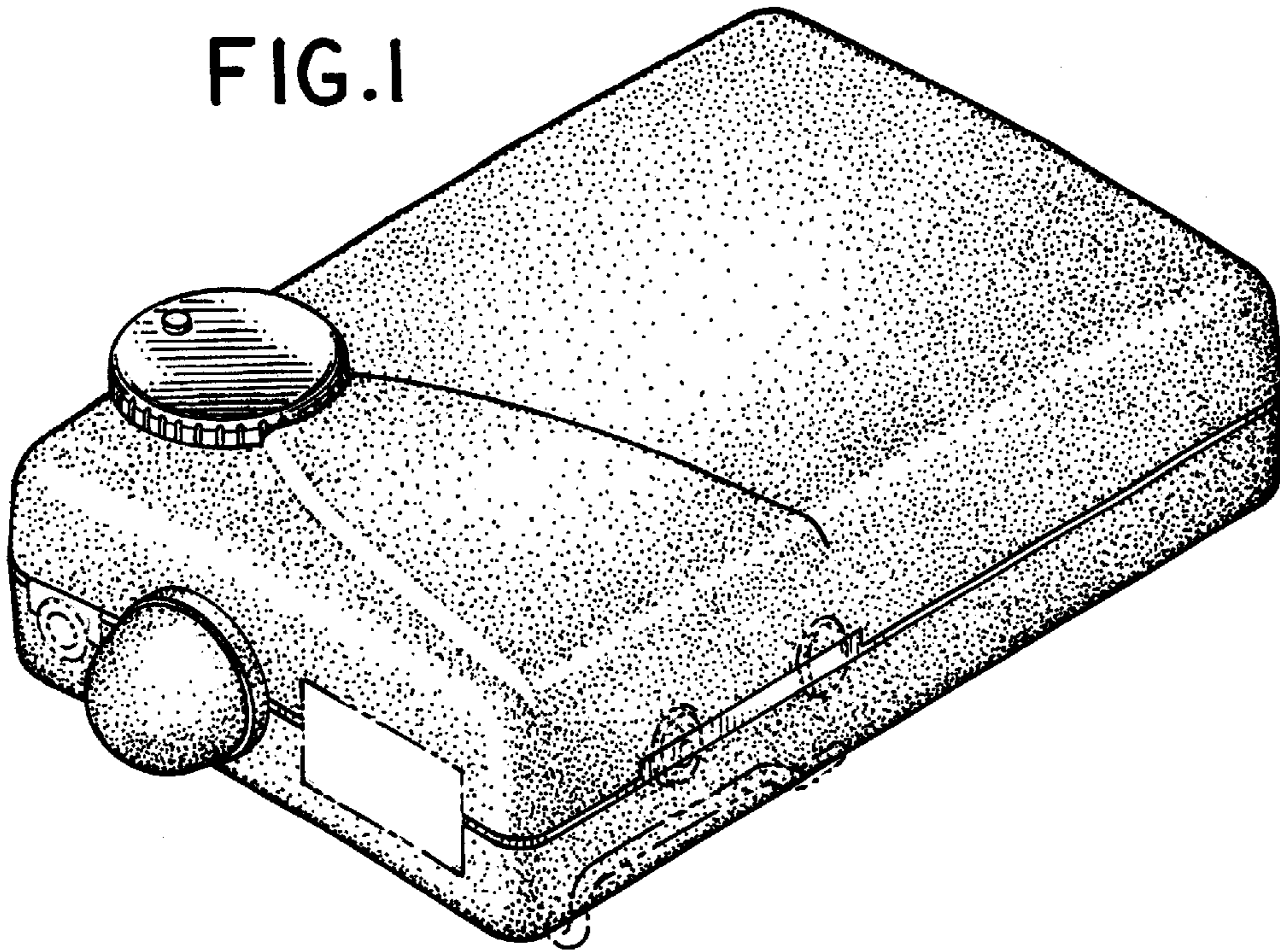


FIG.2

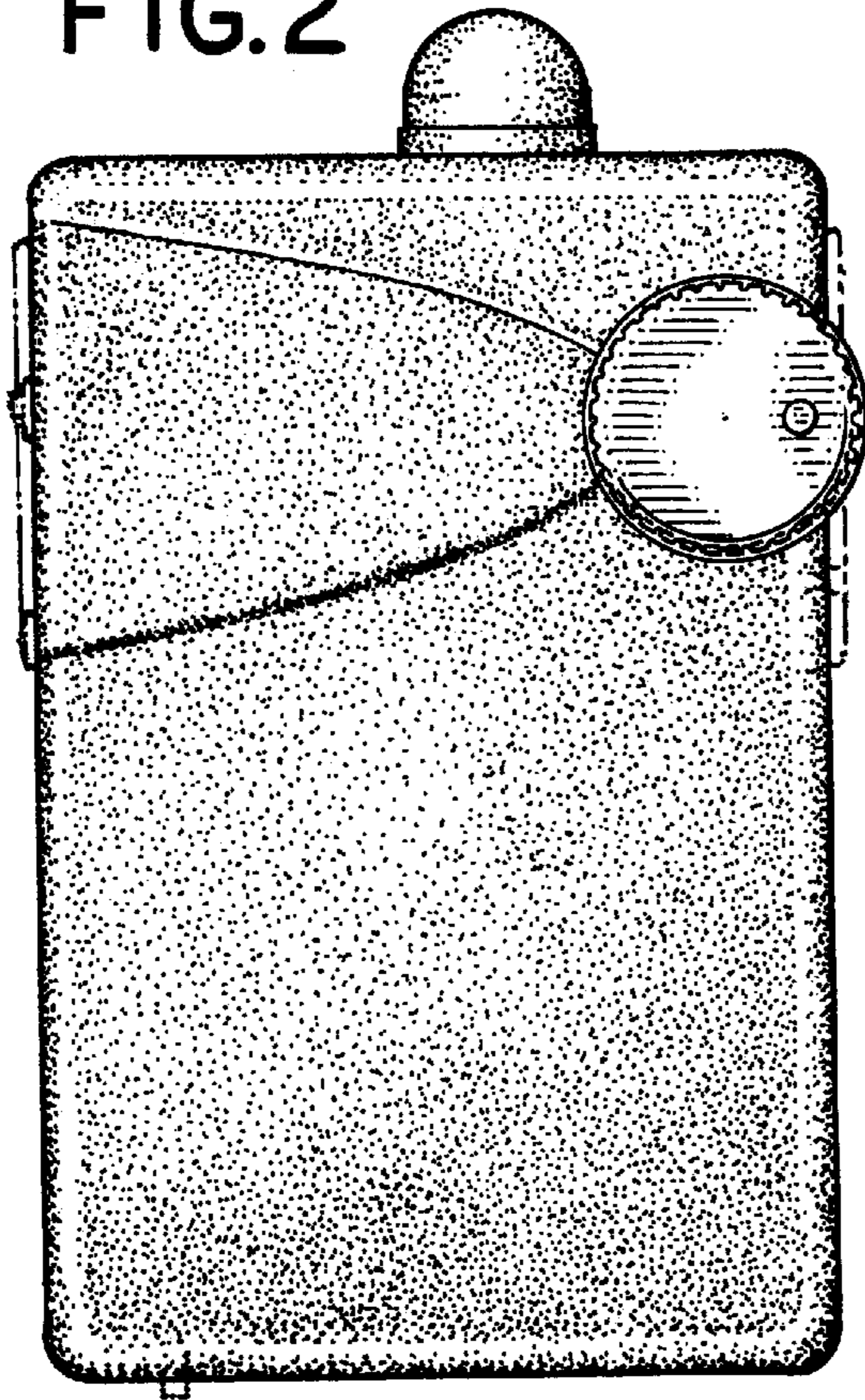
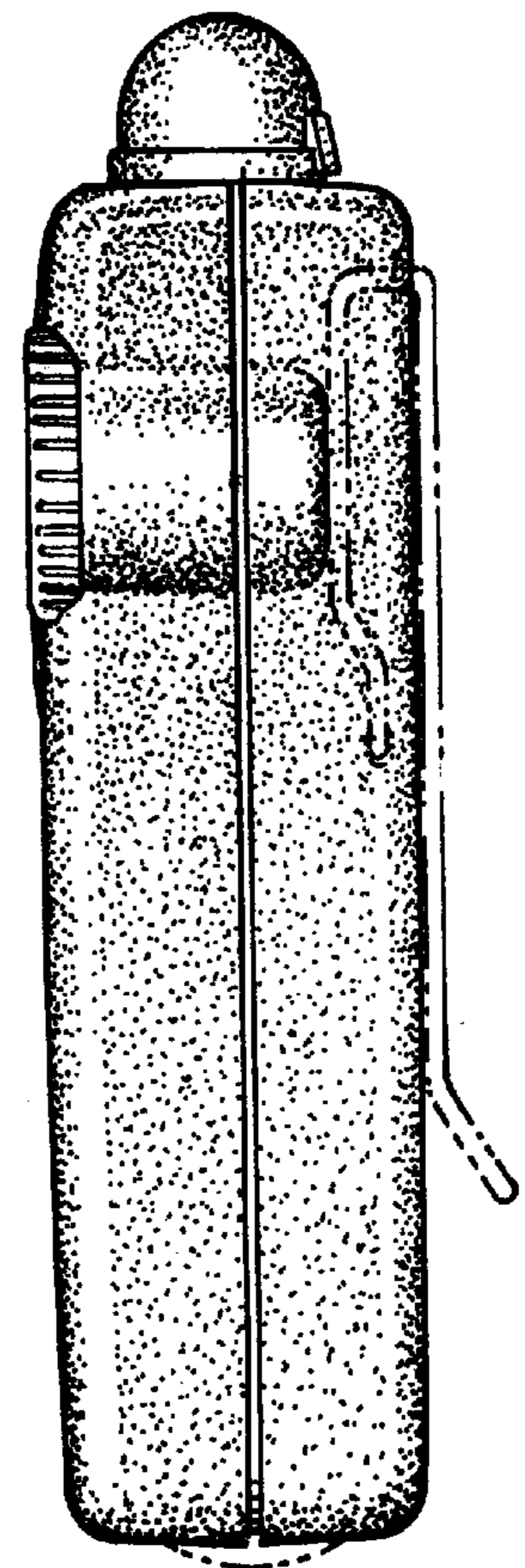


FIG.3



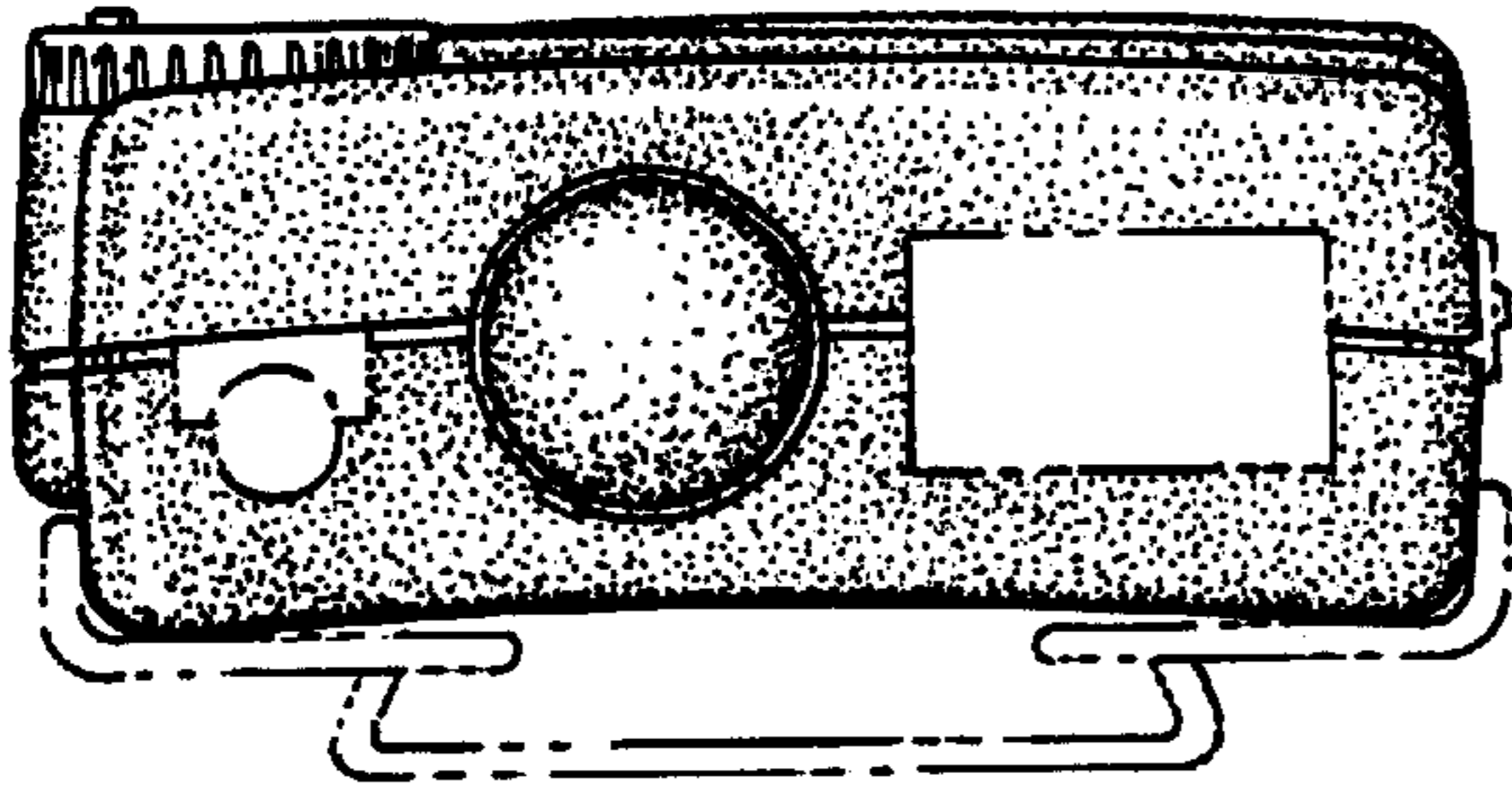


FIG. 4

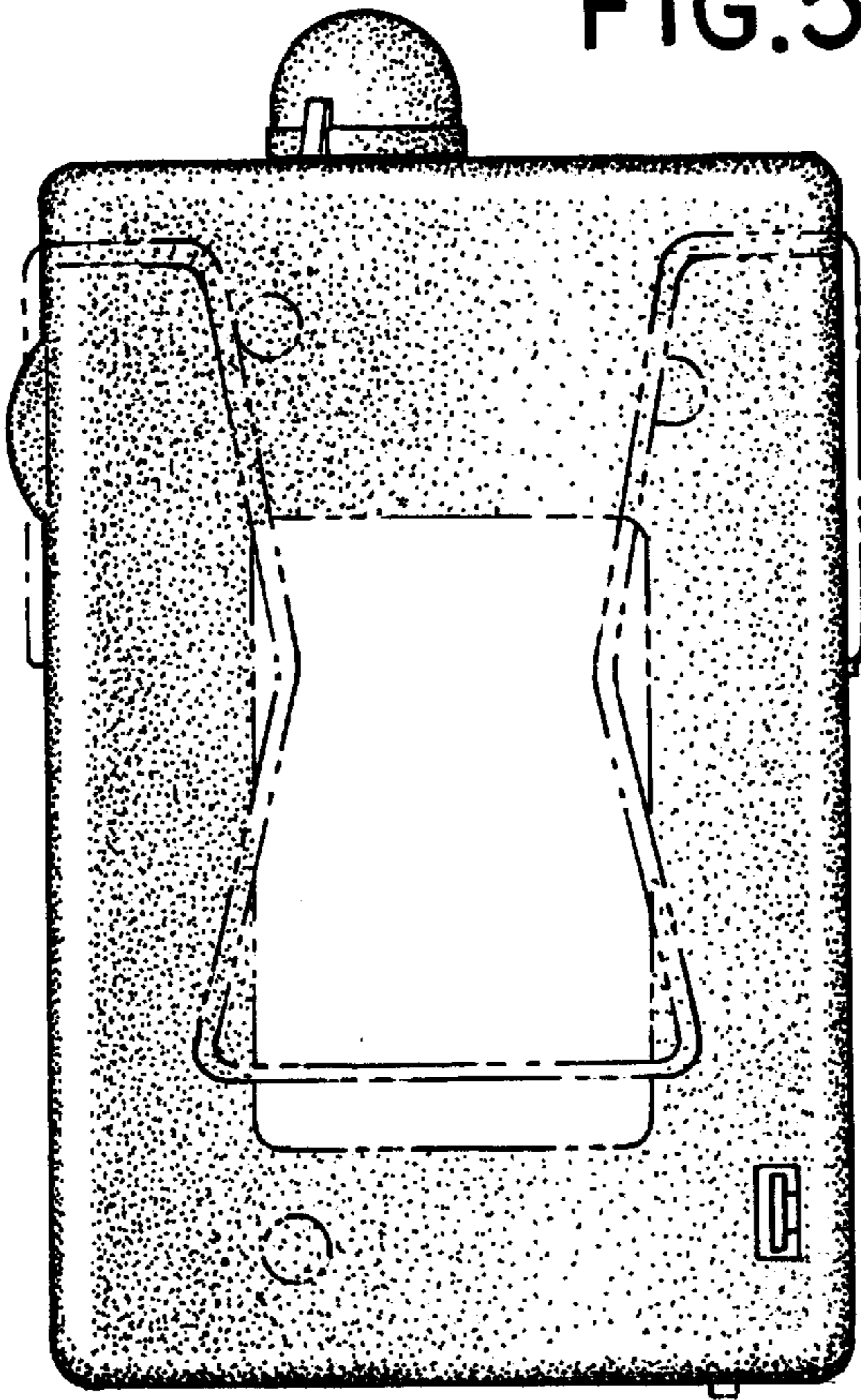


FIG. 5

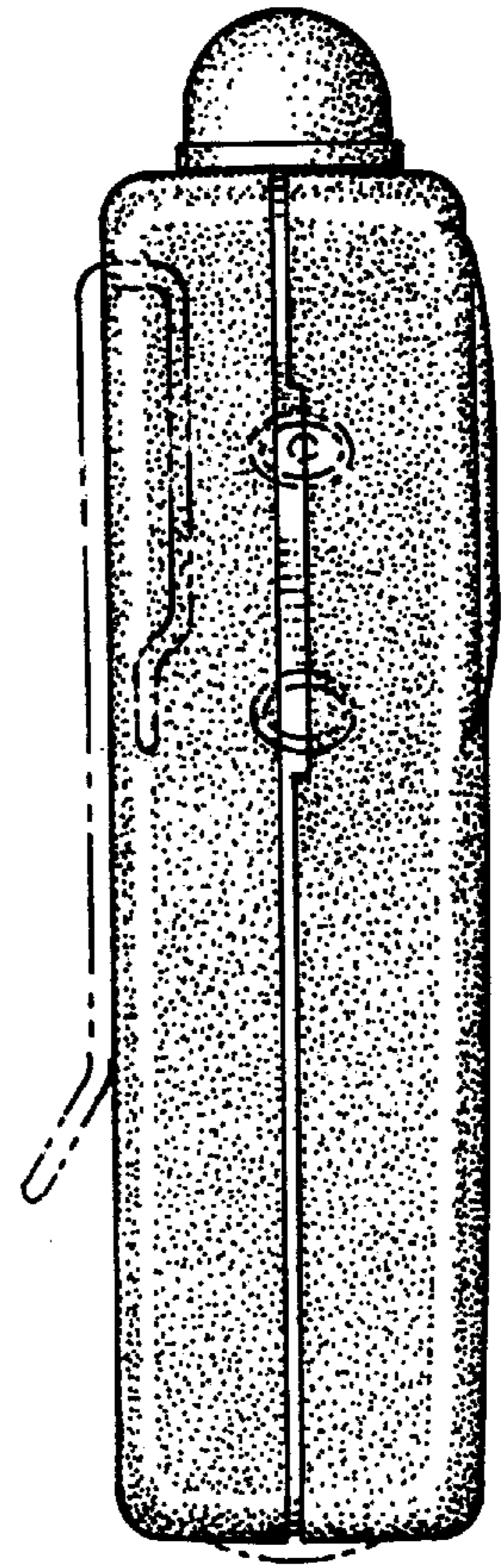


FIG. 6

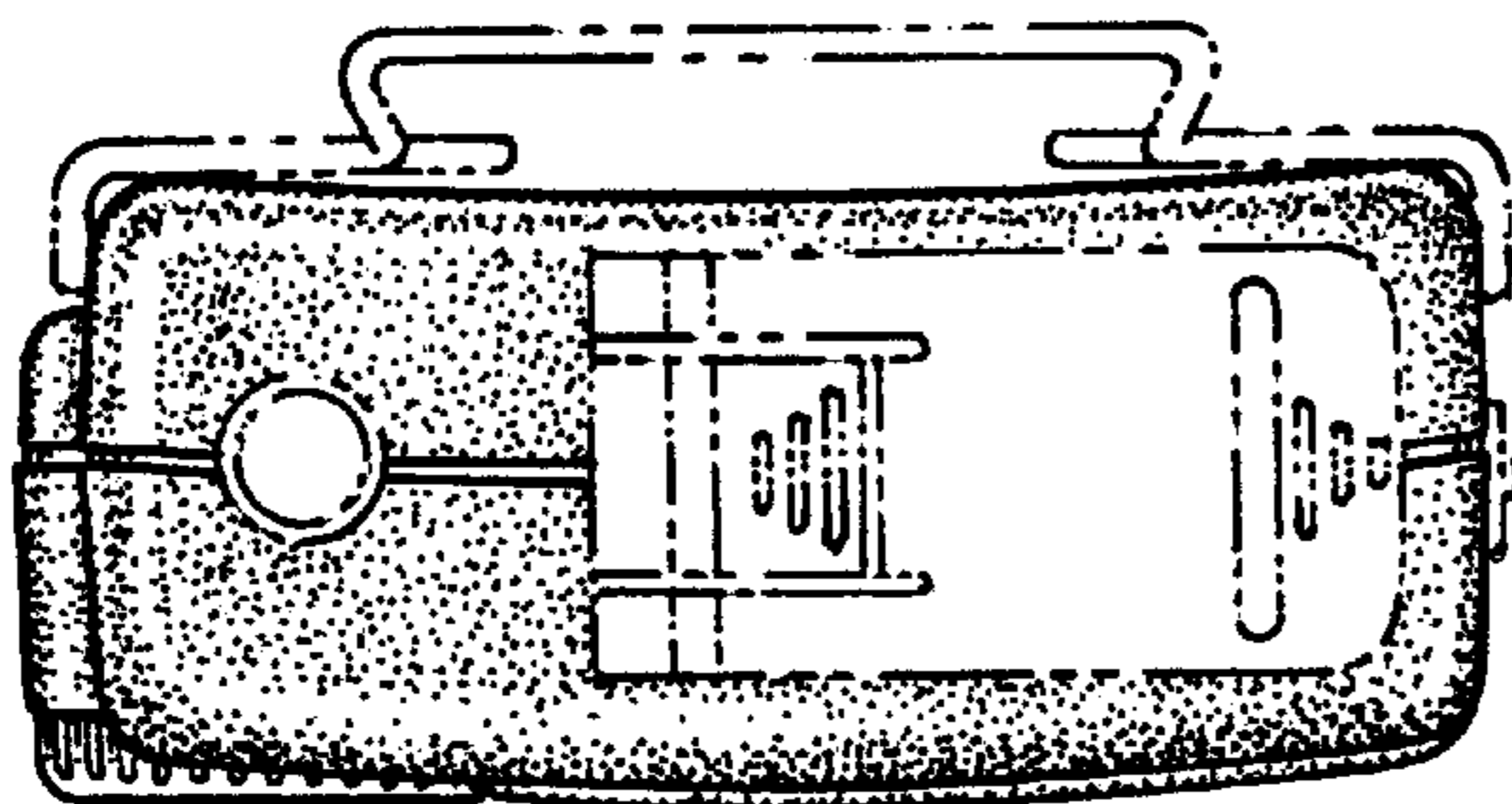


FIG. 7