



US00D442936S

(12) **United States Design Patent**
Chan

(10) **Patent No.:** **US D442,936 S**

(45) **Date of Patent:** **** May 29, 2001**

(54) **CD/CASSETTE PLAYER**

D. 366,658 * 1/1996 Fukutome D14/156 X
D. 381,983 * 8/1997 Nagai D14/168

(75) Inventor: **Thomas Kwok Man Chan**, Shatin
(HK)

* cited by examiner

(73) Assignee: **Alco Electronics Limited**, Quarry Bay
(HK)

Primary Examiner—Nanda Bondade
(74) *Attorney, Agent, or Firm*—Leydig, Voit & Mayer, Ltd.

(**) Term: **14 Years**

(57) **CLAIM**

(21) Appl. No.: **29/121,499**

The ornamental design for a CD/cassette player, as shown and described.

(22) Filed: **Apr. 10, 2000**

(30) **Foreign Application Priority Data**

DESCRIPTION

Oct. 28, 1999 (GB) 2087771

(51) **LOC (7) Cl.** **14-01**

(52) **U.S. Cl.** **D14/162; D14/168**

(58) **Field of Search** D14/156, 160-168,
D14/188, 193-198; 455/344, 345, 347-351;
369/75.1, 75.2, 77.1, 77.2

FIG. 1 is a front, right side and top perspective view of a CD/cassette player showing my new design;

FIG. 2 is a top plan view thereof;

FIG. 3 is a front elevational view thereof;

FIG. 4 is a rear elevational view thereof;

FIG. 5 is a right side elevational view thereof; and,

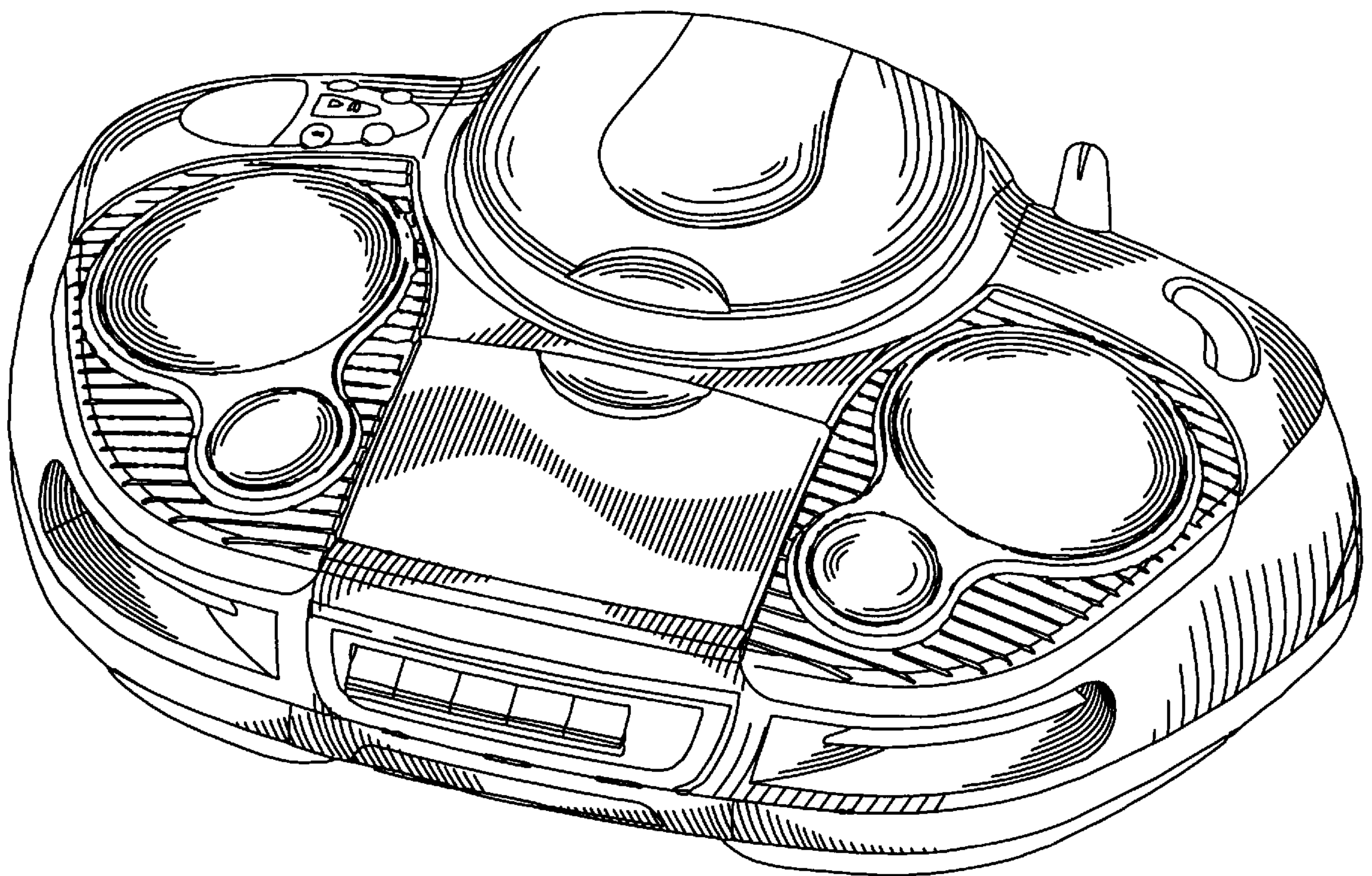
FIG. 6 is a left side elevational view thereof.

(56) **References Cited**

U.S. PATENT DOCUMENTS

D. 350,753 * 9/1994 Oka D14/156 X

1 Claim, 4 Drawing Sheets



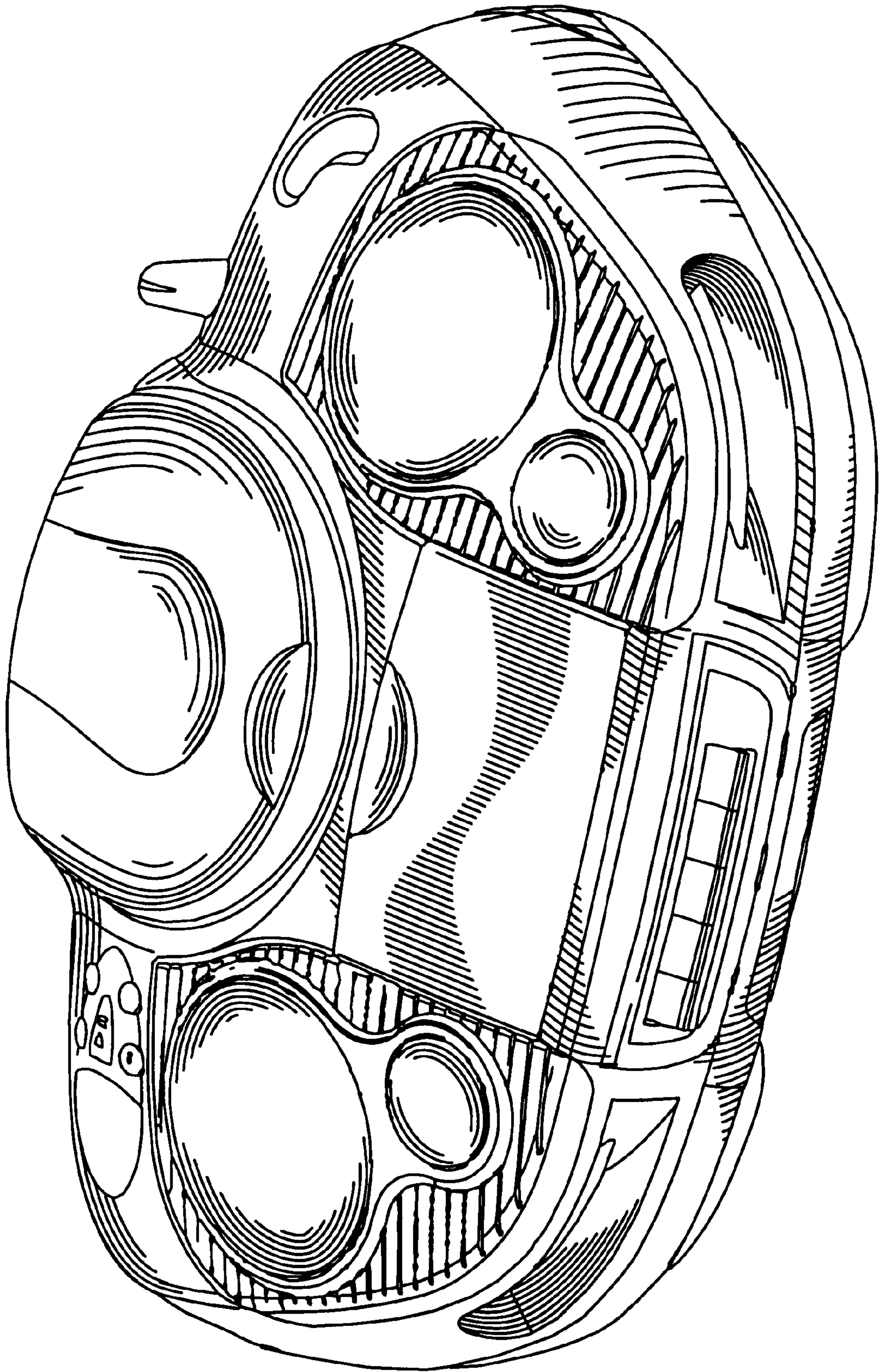


FIG. 1

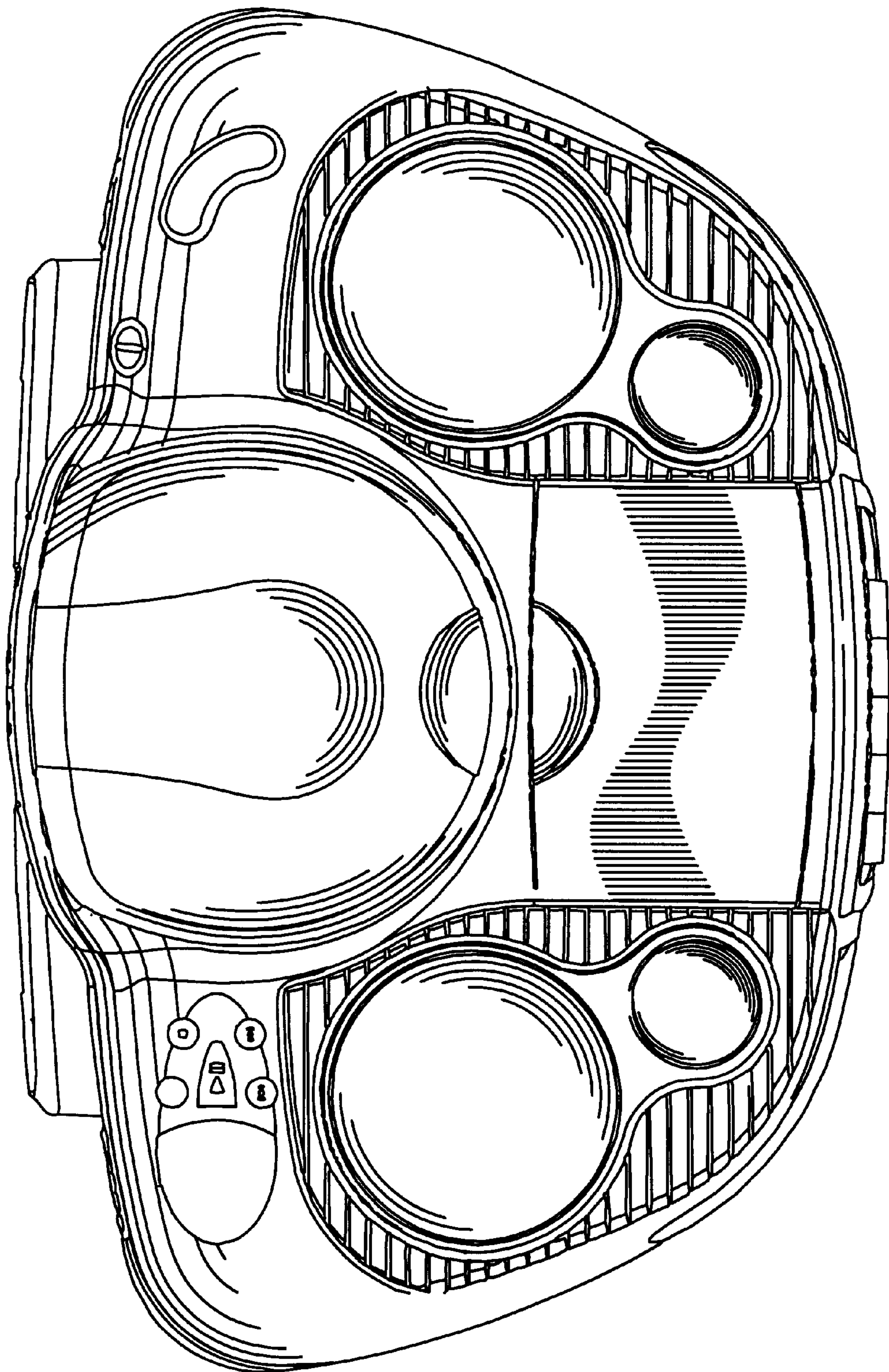


FIG. 2

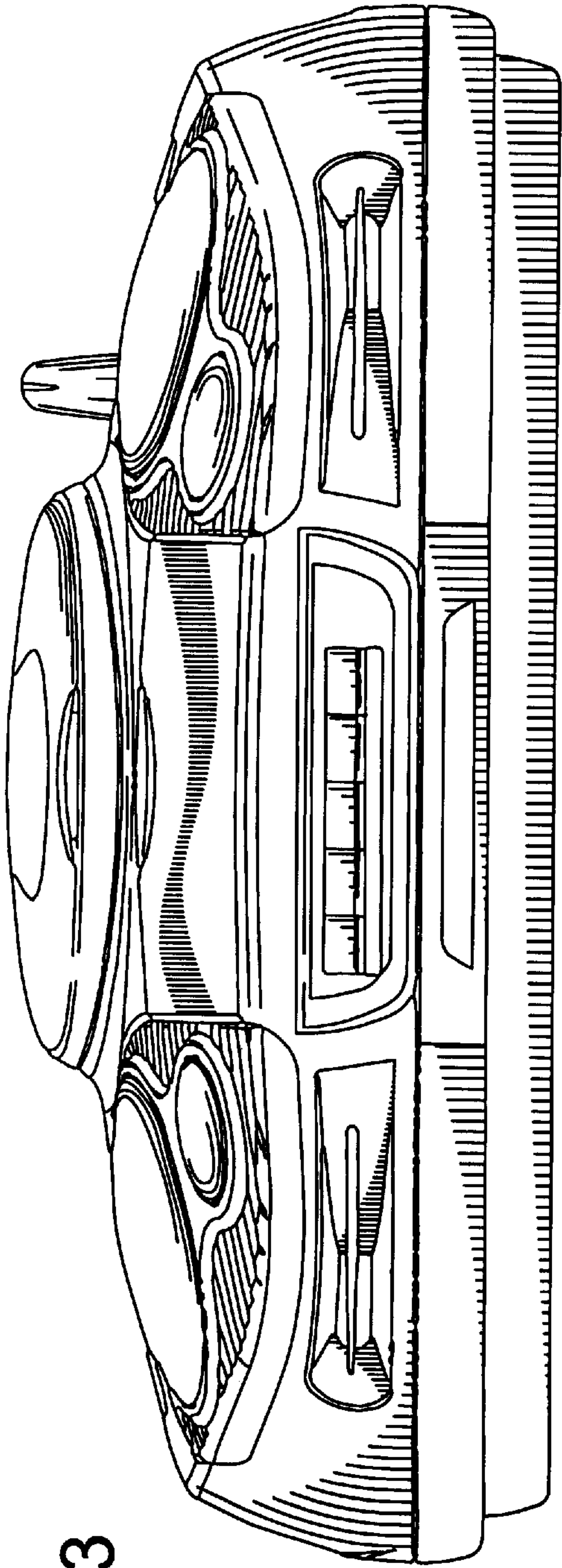


FIG. 3

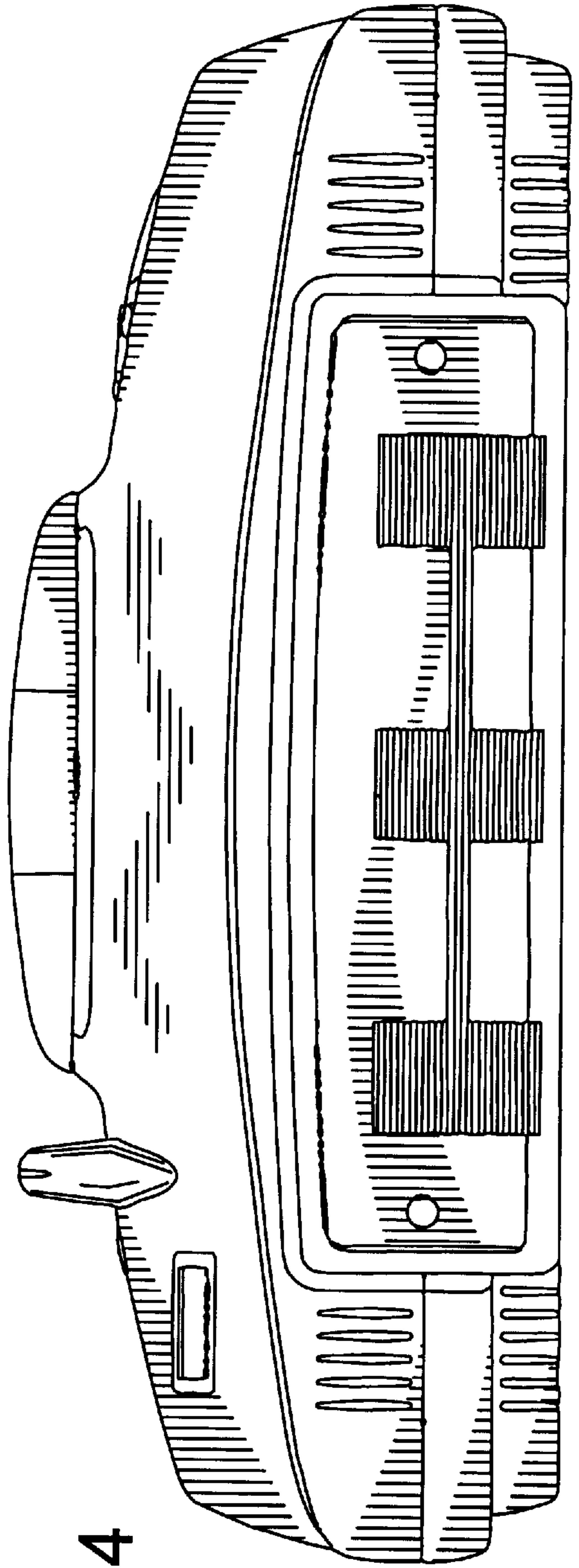


FIG. 4

FIG. 5

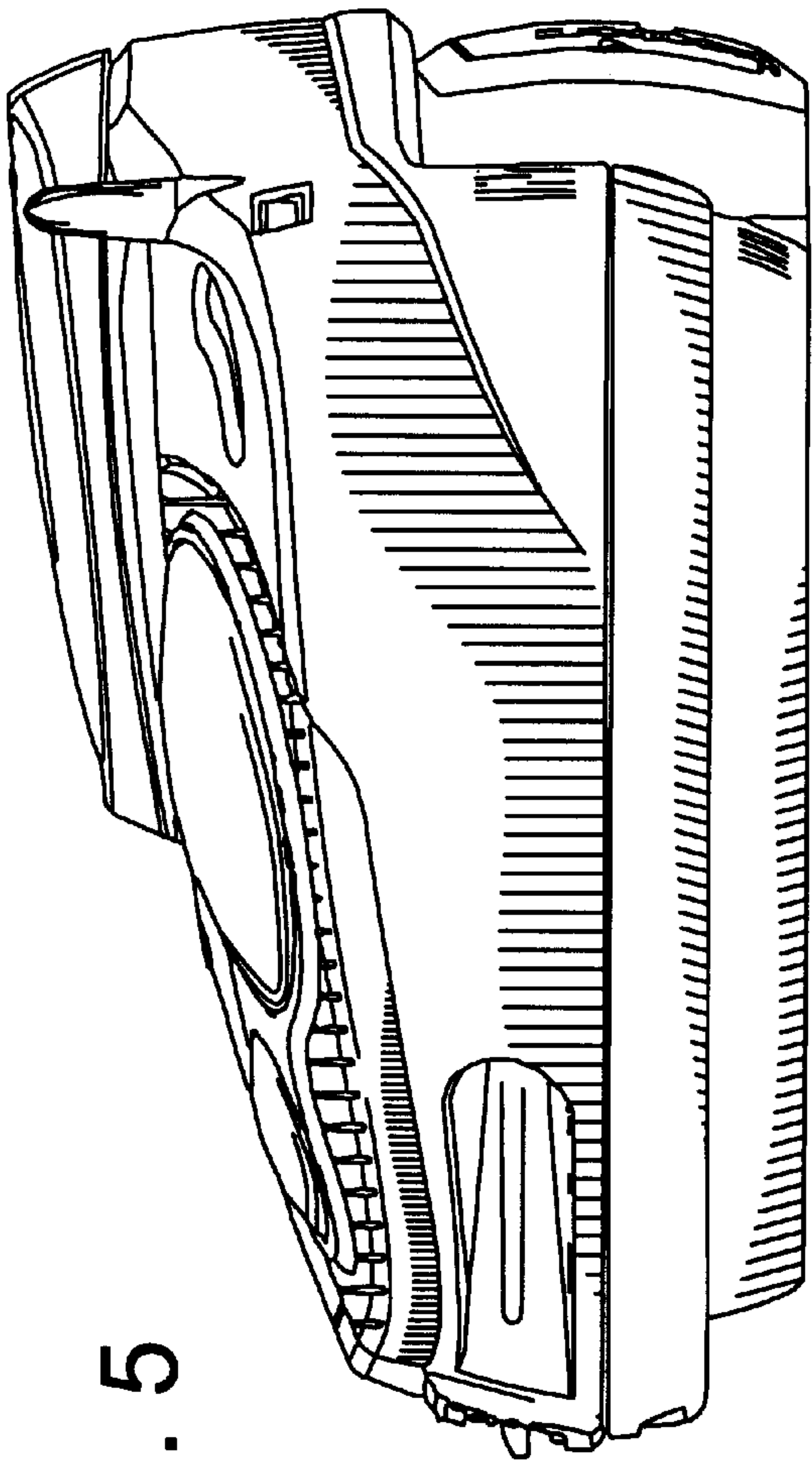


FIG. 6

