



US00D442933S

(12) **United States Design Patent**
Sawai

(10) **Patent No.:** **US D442,933 S**

(45) **Date of Patent:** **** May 29, 2001**

(54) **OPTICAL DISC PLAYER**

(75) Inventor: **Kunihito Sawai**, Tokyo (JP)

(73) Assignee: **Sony Corporation**, Tokyo (JP)

(**) Term: **14 Years**

(21) Appl. No.: **29/127,005**

(22) Filed: **Jul. 24, 2000**

(51) **LOC (7) Cl.** **14-01**

(52) **U.S. Cl.** **D14/156**

(58) **Field of Search** D14/135-136,
D14/156-157, 160, 167-168; 369/75.1,
75.2, 77.1, 77.2

(56) **References Cited**

U.S. PATENT DOCUMENTS

D. 384,057	*	9/1997	Lee et al.	D14/156	X
D. 409,606		5/1999	Syudo	D14/156	
D. 410,237	*	5/1999	Kanatani	D14/156	
D. 410,463		6/1999	Hattori	D14/156	
D. 415,757	*	10/1999	Takahashi et al.	D14/156	
5,694,278	*	12/1997	Sumner	369/77.2	X

OTHER PUBLICATIONS

“Portable DVD Player”, p. 6, Pioneer, Jun. 1999.
Catalog “93”, p. 231(CRX55A & CRX50A), Sony, Nov. 1999.

* cited by examiner

Primary Examiner—Nanda Bondade

(74) *Attorney, Agent, or Firm*—Rader Fishman & Grauer

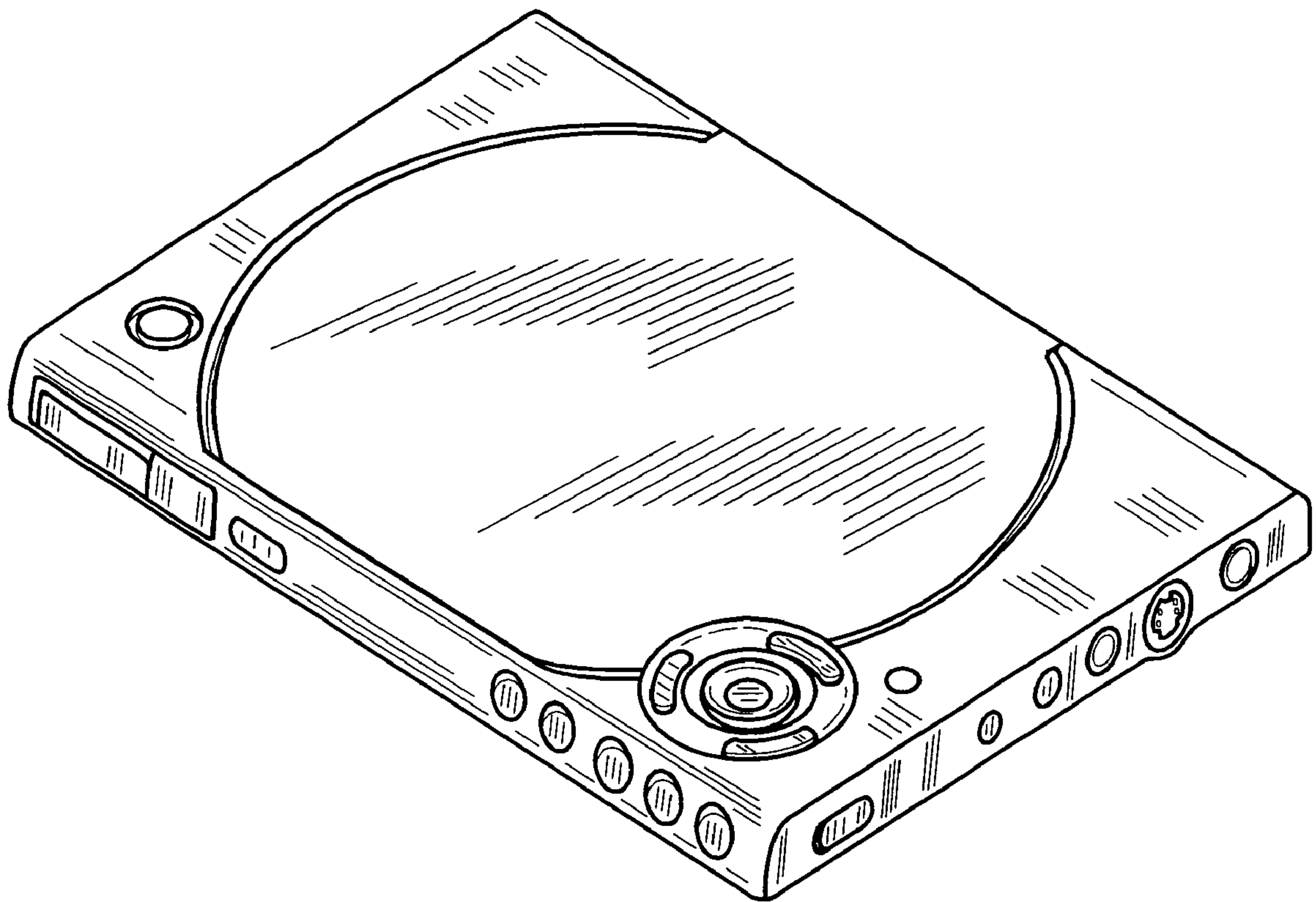
(57) **CLAIM**

The ornamental design for an optical disc player, as shown and described.

DESCRIPTION

FIG. 1 is a perspective view of an optical disc player showing my design;
FIG. 2 is a top plan view thereof;
FIG. 3 is a bottom plan view thereof;
FIG. 4 is a front elevational view thereof;
FIG. 5 is a rear elevational view thereof;
FIG. 6 is a left side elevational view thereof; and,
FIG. 7 is a right side elevational view thereof.

1 Claim, 3 Drawing Sheets



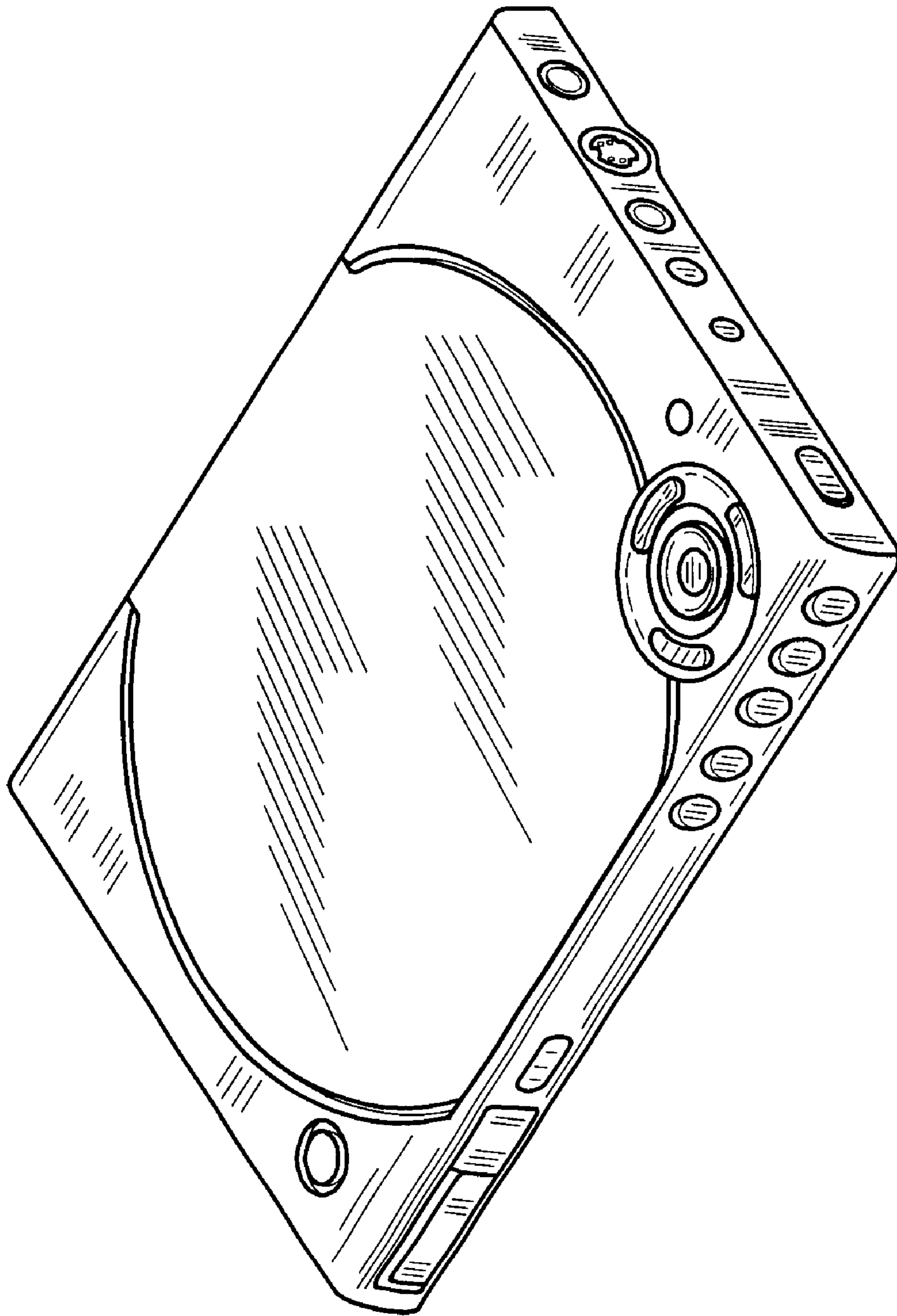


FIG. 1



FIG. 2

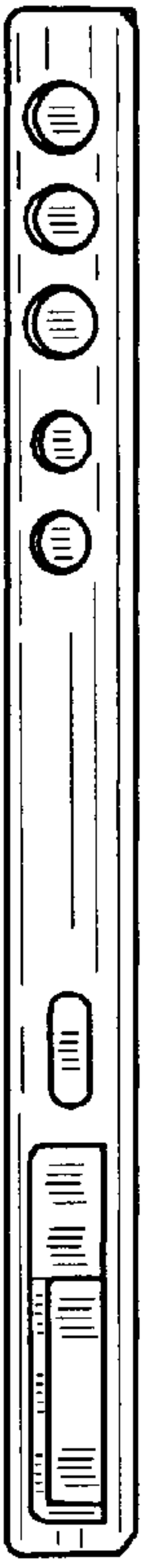


FIG. 3



FIG. 4



FIG. 5

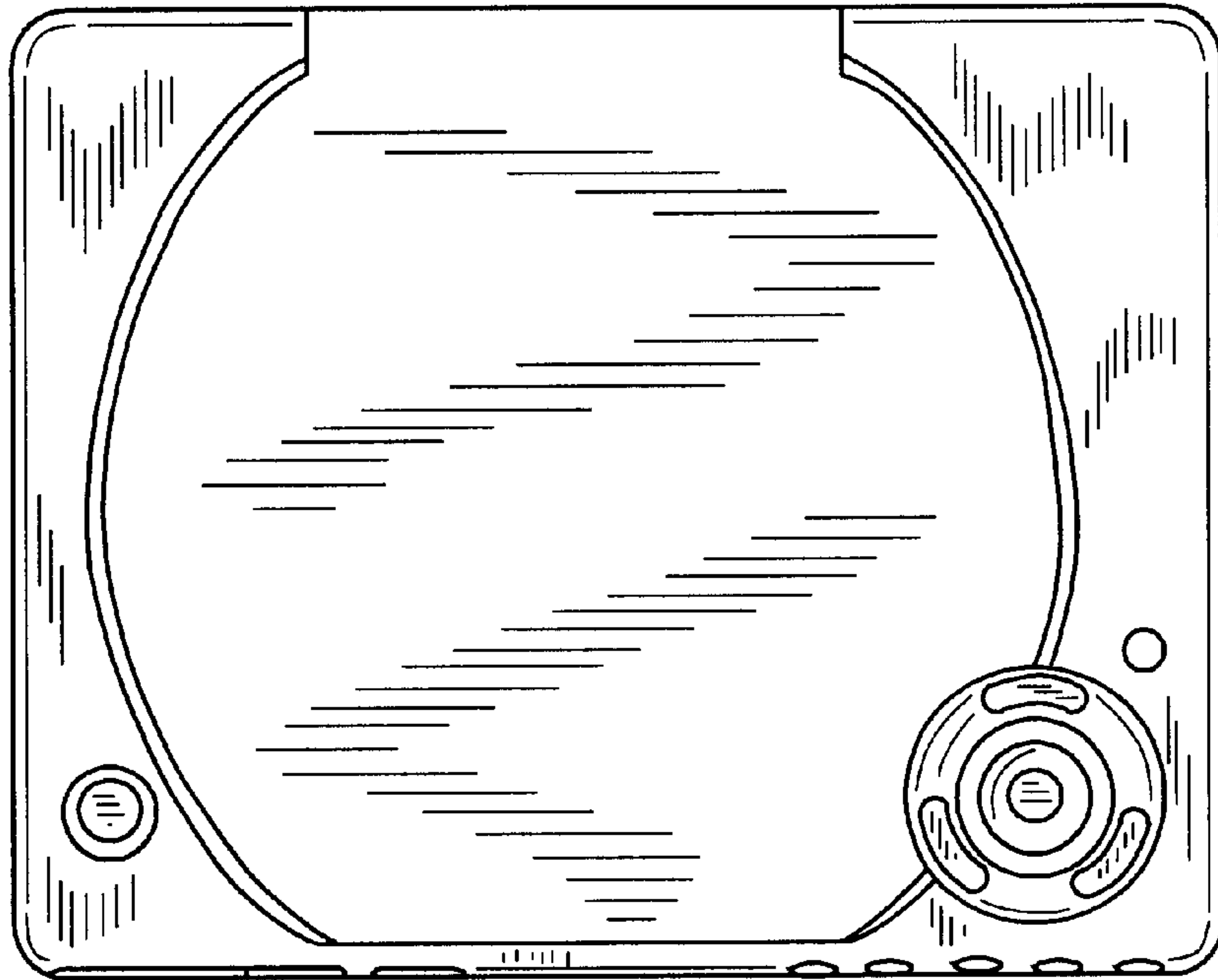


FIG. 6

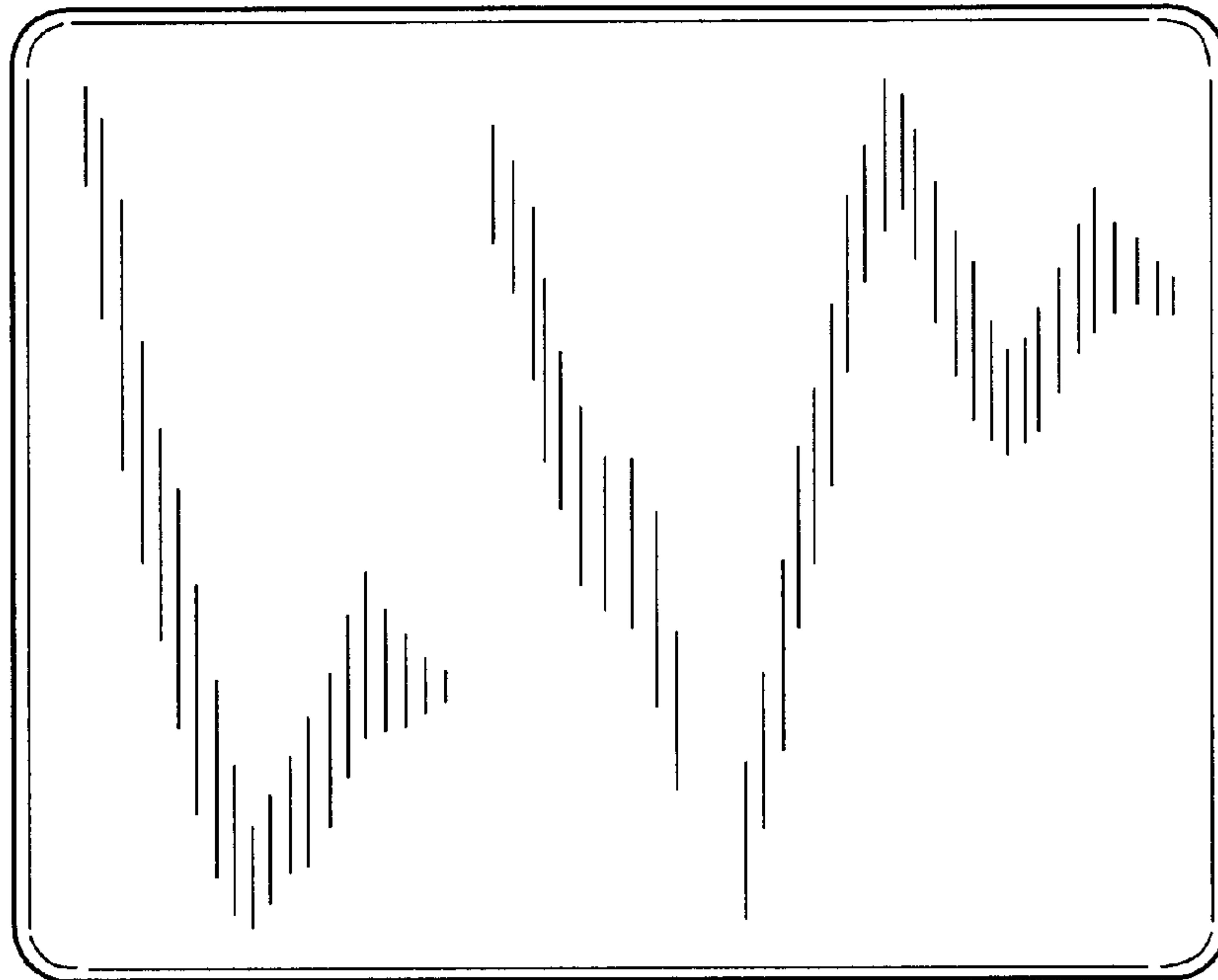


FIG. 7