



US00D442926S

(12) **United States Design Patent**
Kim et al.

(10) **Patent No.:** **US D442,926 S**

(45) **Date of Patent:** **** May 29, 2001**

(54) **TELEVISION SET**

(75) Inventors: **Jun Ki Kim; Duk Ki Min**, both of
Seoul (KR)

(73) Assignee: **LG Electronics Inc.**, Seoul (KR)

(**) Term: **14 Years**

(21) Appl. No.: **29/128,655**

(22) Filed: **Aug. 29, 2000**

(30) **Foreign Application Priority Data**

Feb. 29, 2000 (KR) 00-5033

(51) **LOC (7) Cl.** **14-03**

(52) **U.S. Cl.** **D14/126**

(58) **Field of Search** D14/125-129,
D14/131-136, 239, 336, 337, 371; 312/7.2;
348/836, 838, 180, 184, 325

(56) **References Cited**

U.S. PATENT DOCUMENTS

D. 350,346 * 9/1994 Takemasa et al. D14/126

D. 355,648 * 2/1995 Gale et al. D14/128
D. 411,836 * 7/1999 Cavello D14/126
D. 411,842 * 7/1999 Ota D14/134
D. 417,659 * 12/1999 Takemasa D14/126
D. 427,169 * 6/2000 Saeki et al. D14/126
D. 431,537 * 10/2000 Saeki et al. D14/126

* cited by examiner

Primary Examiner—Raphael Barkai

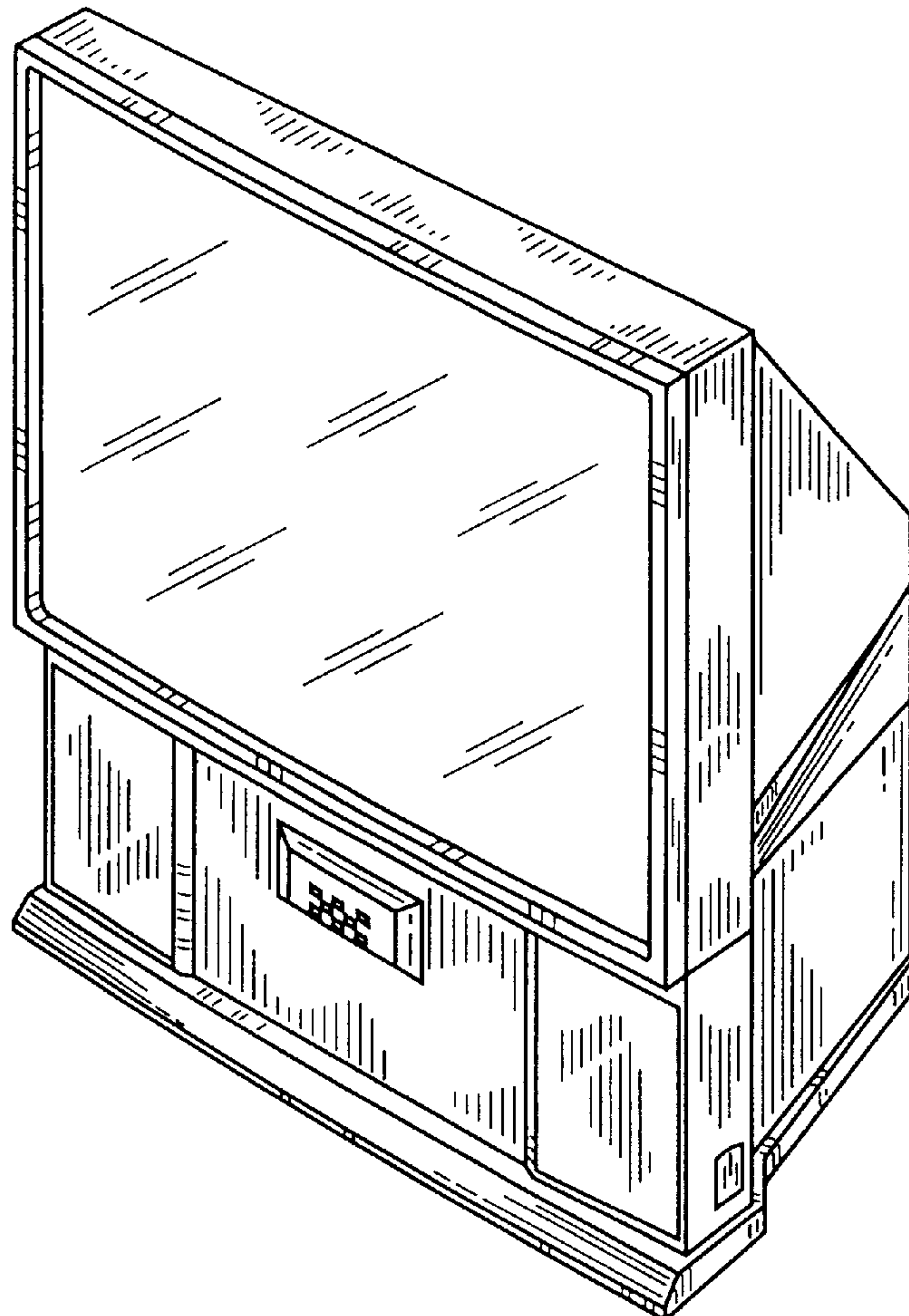
(57) **CLAIM**

We claim the ornamental design for television set, as shown and described.

DESCRIPTION

FIG. 1 is a perspective view of television set showing the new design;
FIG. 2 is a front view thereof;
FIG. 3 is a rear view thereof;
FIG. 4 is a left-side view thereof;
FIG. 5 is a right-side view thereof;
FIG. 6 is a top plan view thereof; and,
FIG. 7 is a bottom plan view thereof.

1 Claim, 6 Drawing Sheets



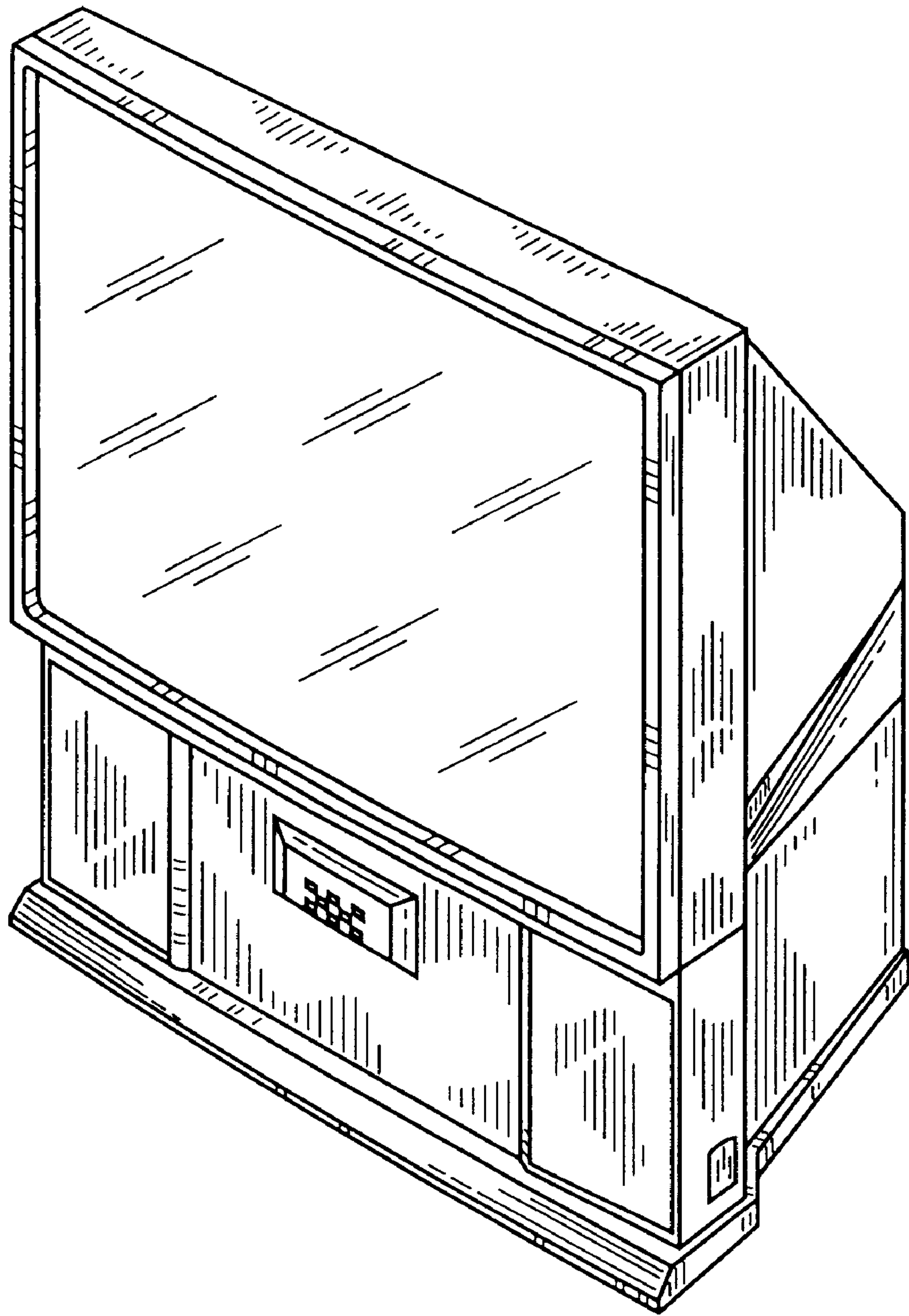


FIG. 1

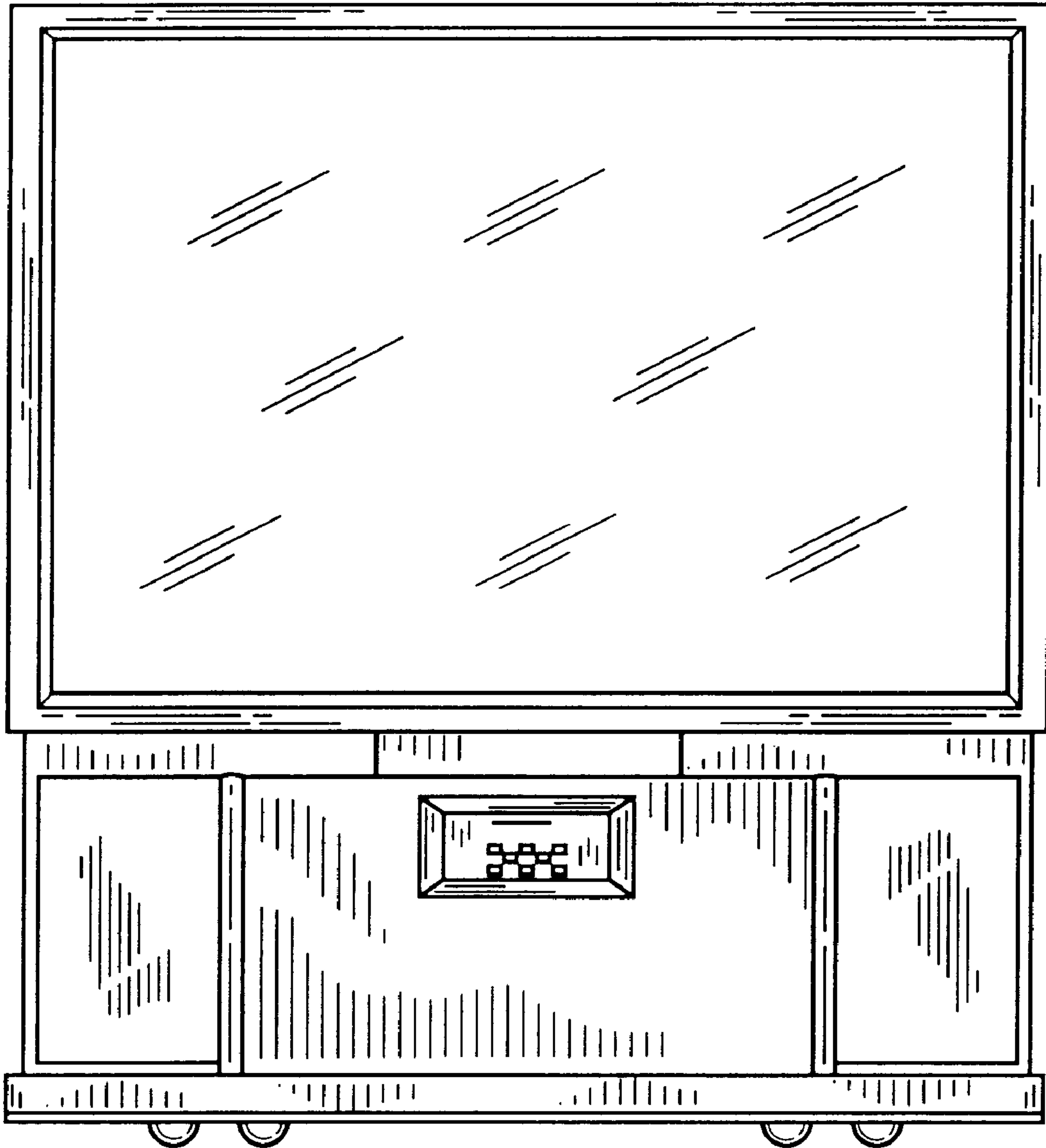


FIG. 2

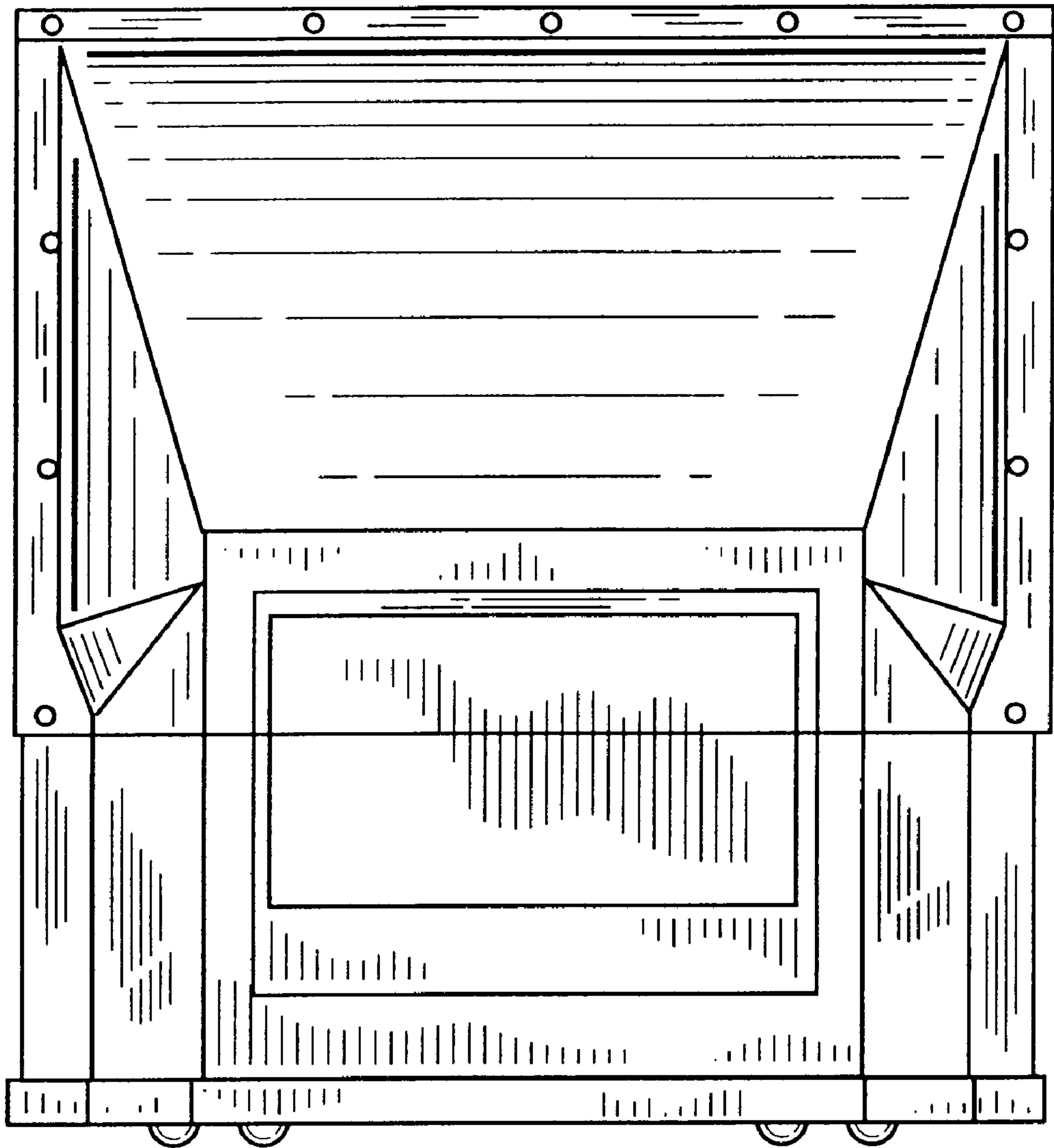


FIG. 3

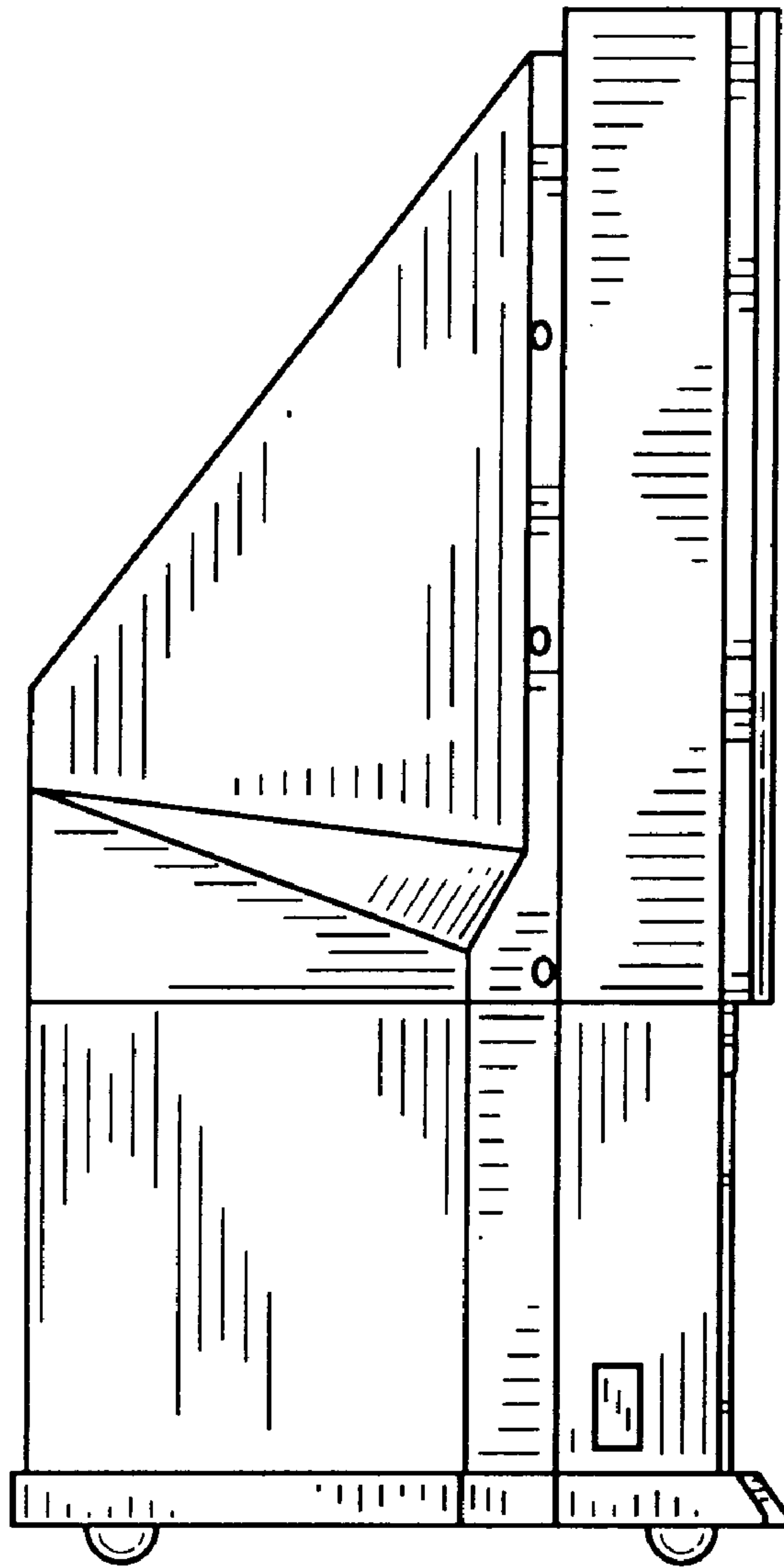


FIG. 4

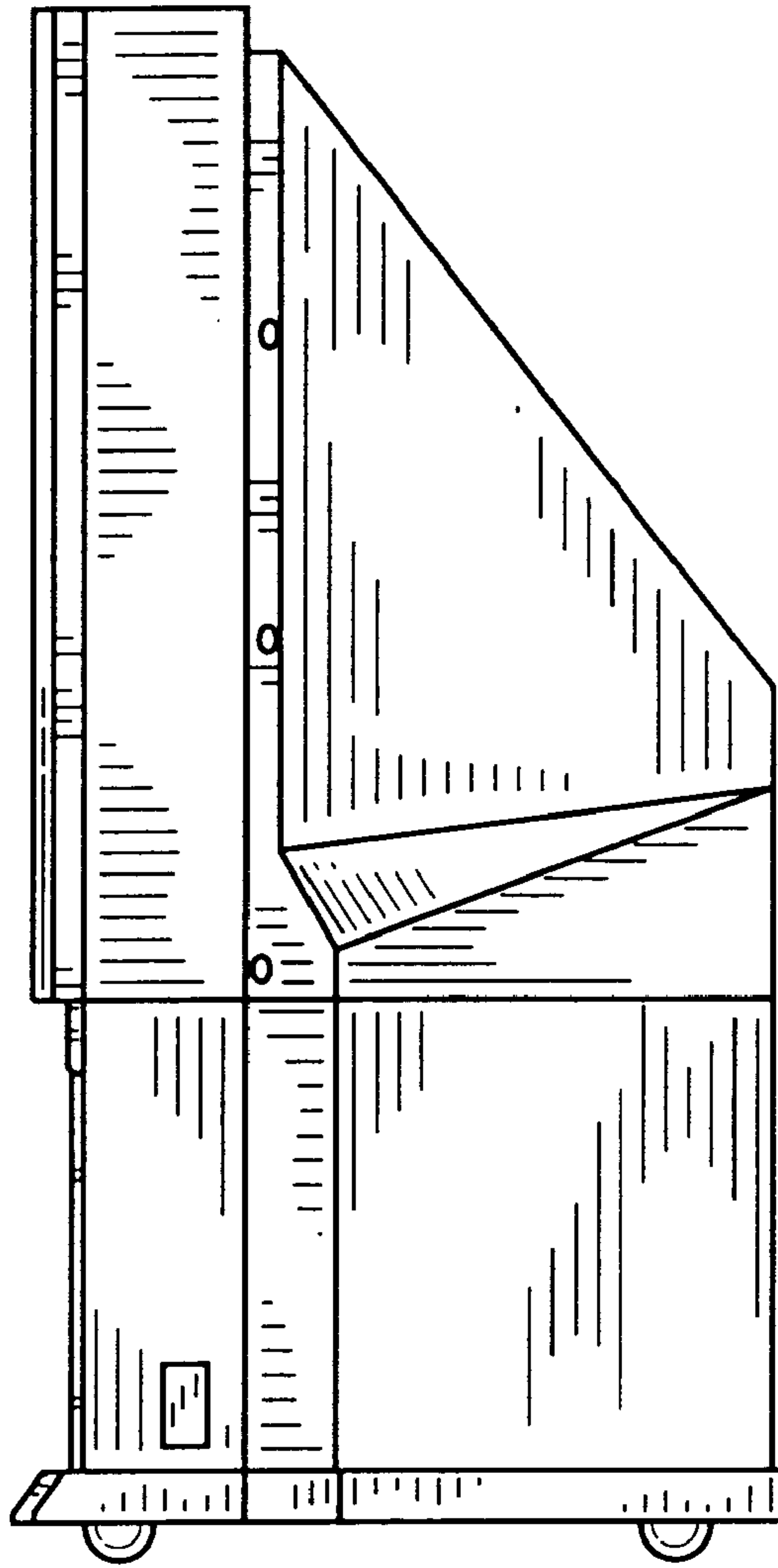


FIG. 5

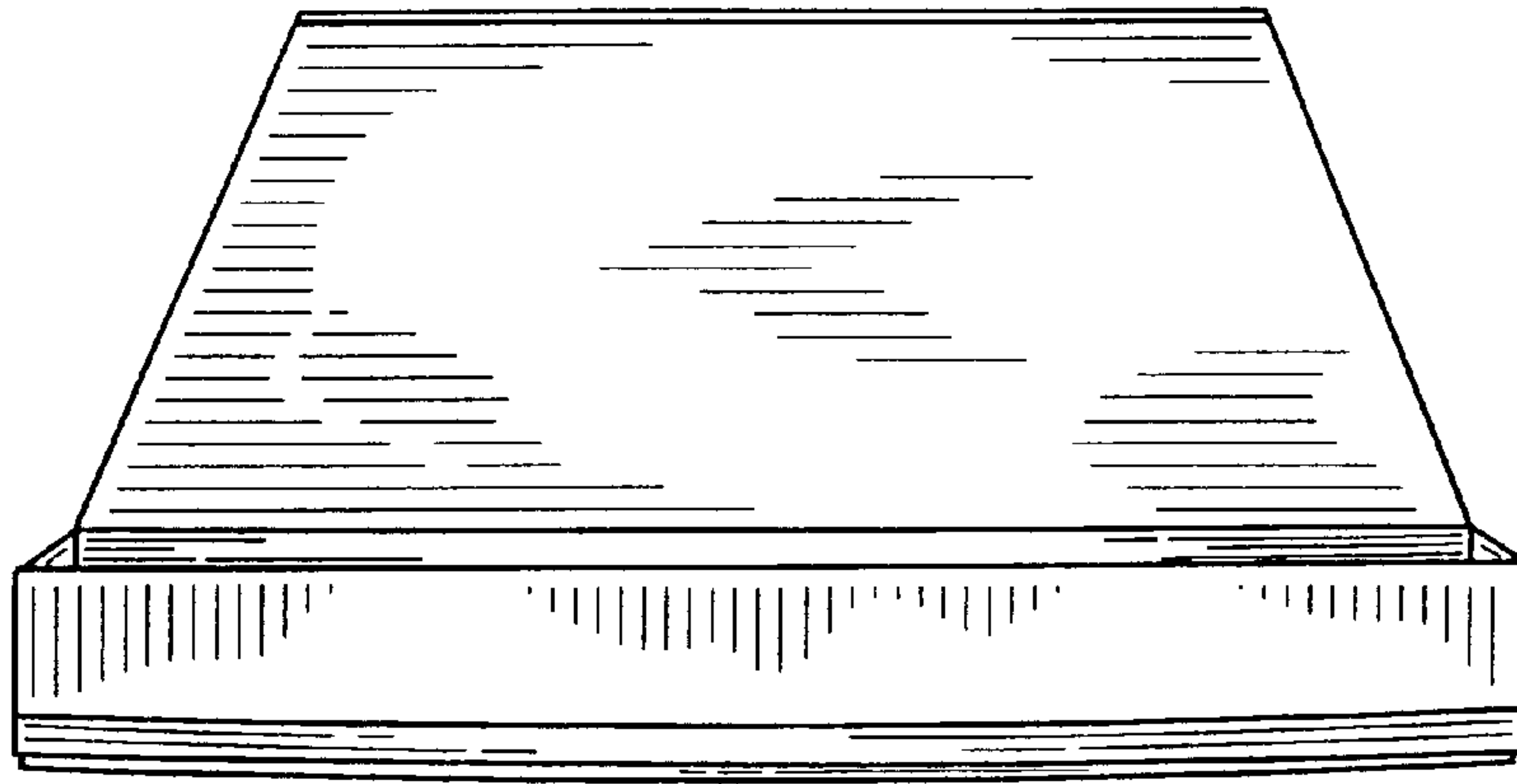


FIG. 6

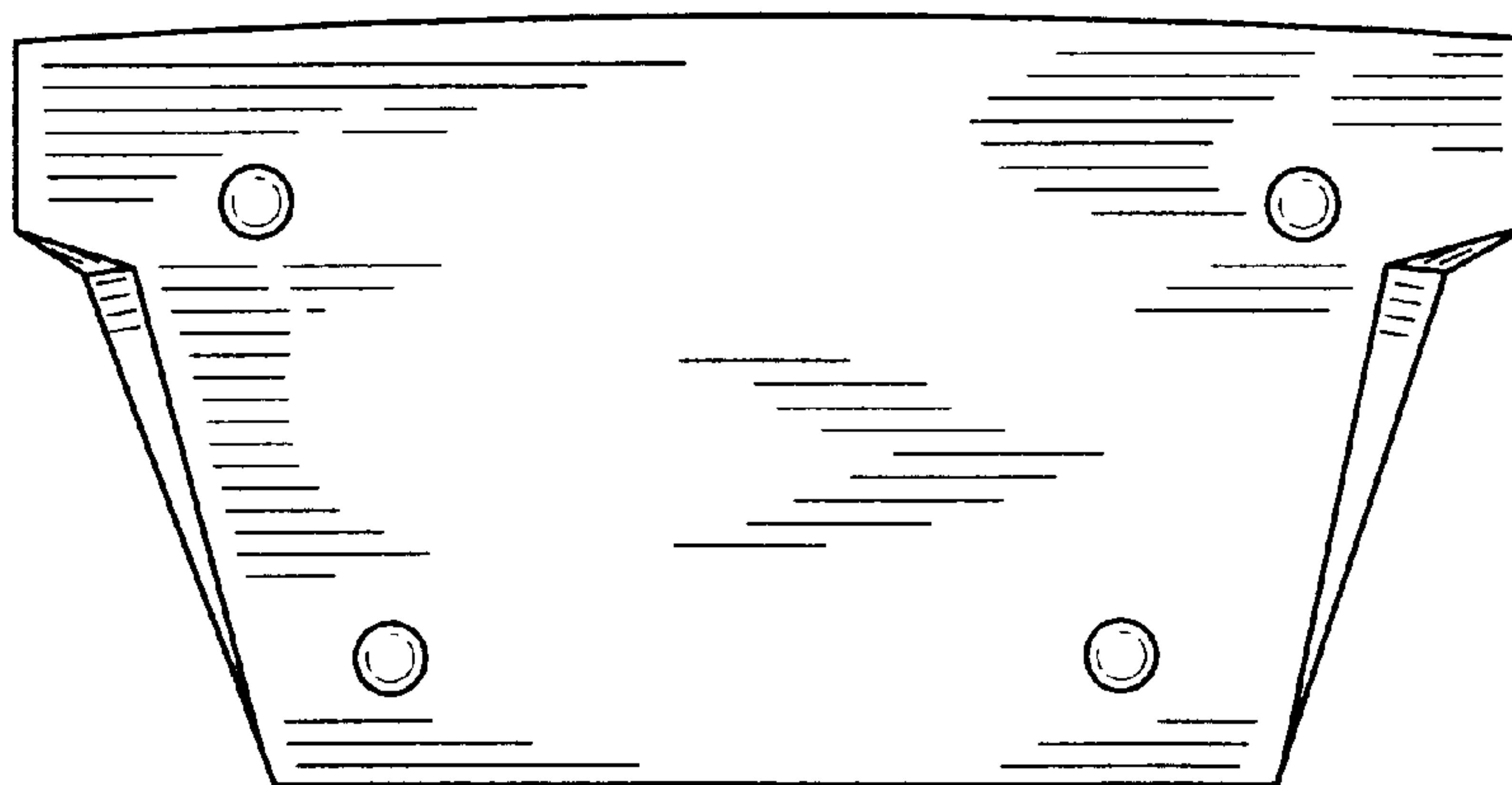


FIG. 7