



US00D442925S

(12) **United States Design Patent**
Backs et al.

(10) **Patent No.:** **US D442,925 S**

(45) **Date of Patent:** **** May 29, 2001**

(54) **VIDEO RECEIVER**

(75) Inventors: **Jochen Backs; Leif Petersson**, both of San Francisco; **Bryed Billerbeck**, Mountain View; **Vance A. Prather**, Fremont, all of CA (US); **Fang Tarnng**, Taipei (TW)

(73) Assignee: **Logitech Europe S.A.**, Romanel-sur-Morges (CH)

(**) Term: **14 Years**

(21) Appl. No.: **29/122,410**

(22) Filed: **Apr. 26, 2000**

(51) **LOC (7) Cl.** **14-03**

(52) **U.S. Cl.** **D14/126; D14/239; D14/356; D14/358**

(58) **Field of Search** **D14/125-136, D14/239, 218, 356, 358; 348/725, 507, 508, 10, 734, 601; 342/359**

(56) **References Cited**

U.S. PATENT DOCUMENTS

- D. 275,754 * 10/1984 Matsuda D14/218
- D. 382,255 * 8/1997 Moffatt D14/358

- D. 396,852 * 8/1998 Chao D14/358
- D. 419,988 * 2/2000 Brunner D14/125
- D. 429,724 * 8/2000 Han et al. D14/358
- D. 434,761 * 12/2000 Sheridan D14/358
- 5,652,630 * 7/1997 Bertram 348/734

* cited by examiner

Primary Examiner—Raphael Barkai

(74) *Attorney, Agent, or Firm*—Townsend and Townsend and Crew LLP

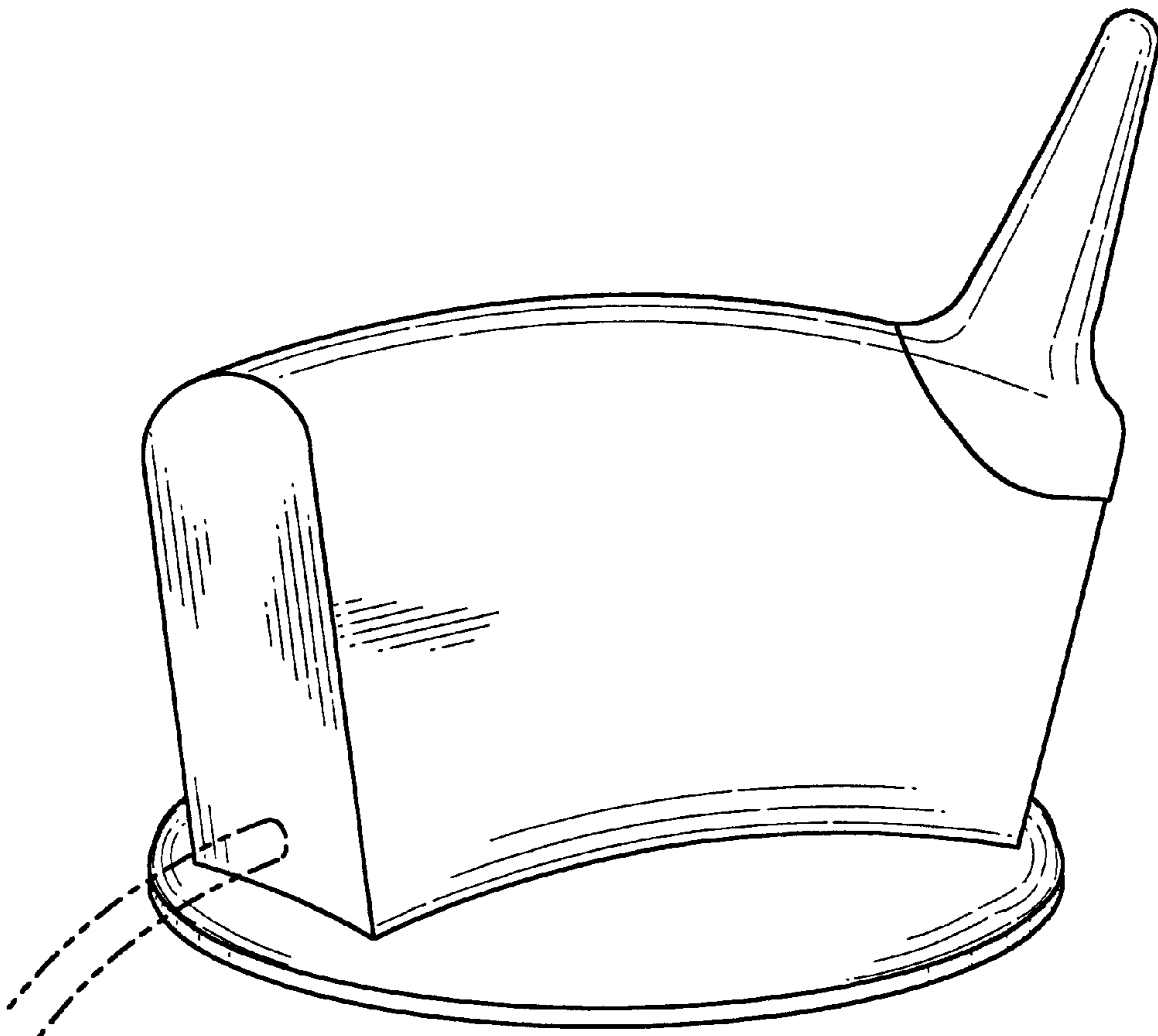
(57) **CLAIM**

The ornamental design for video receiver, as shown and described.

DESCRIPTION

FIG. 1 is a perspective view of a video receiver showing my new design;
 FIG. 2 is a front elevational view, the rear elevational view being a mirror image thereof;
 FIG. 3 is a right side elevational view thereof;
 FIG. 4 is a left side elevational view thereof;
 FIG. 5 is a top plan view thereof; and,
 FIG. 6 is a bottom plan view thereof.
 The broken lines shown in FIG. 1 is for illustrative purposes only and form no part of the claimed design.

1 Claim, 3 Drawing Sheets



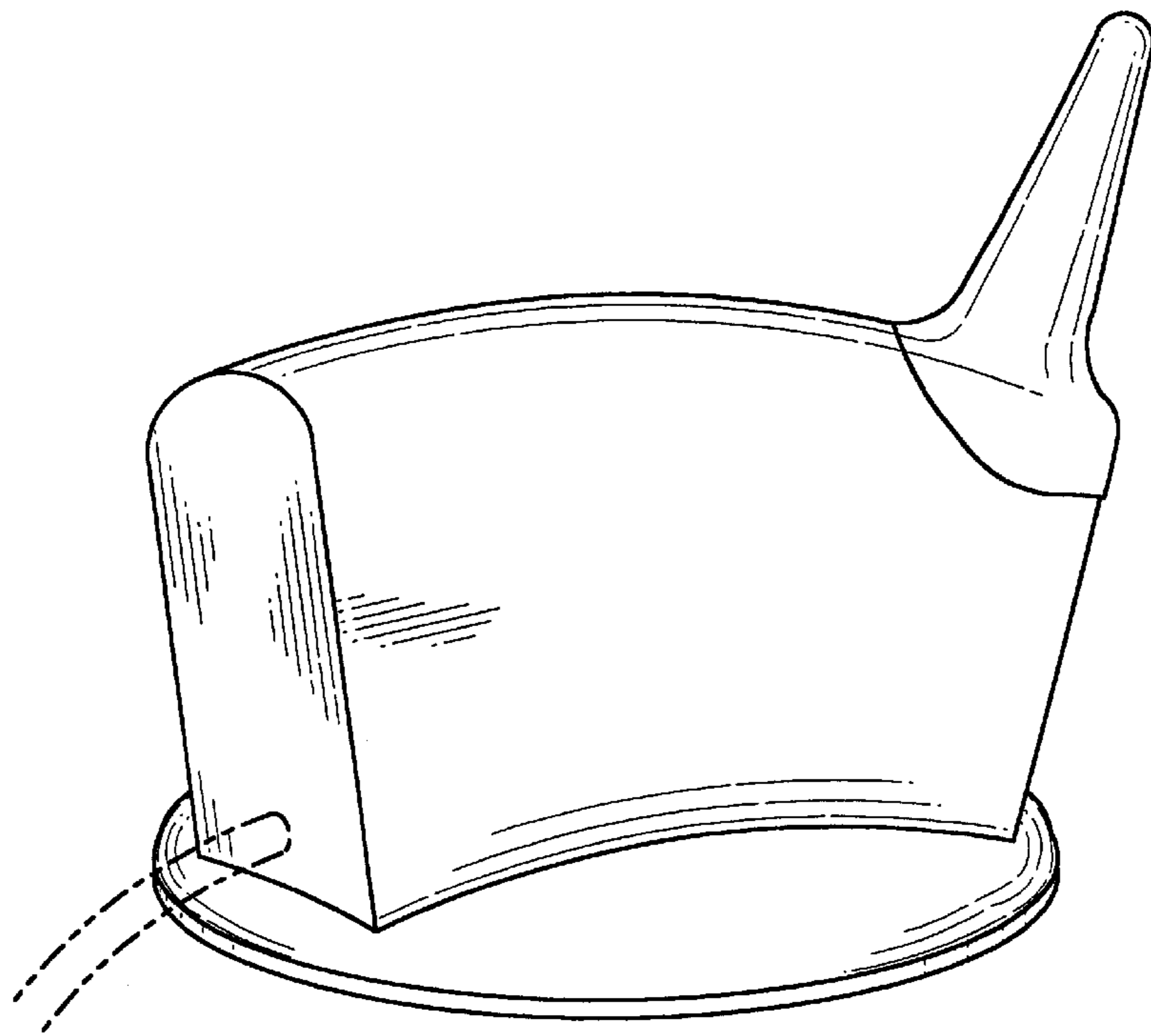


FIG. 1

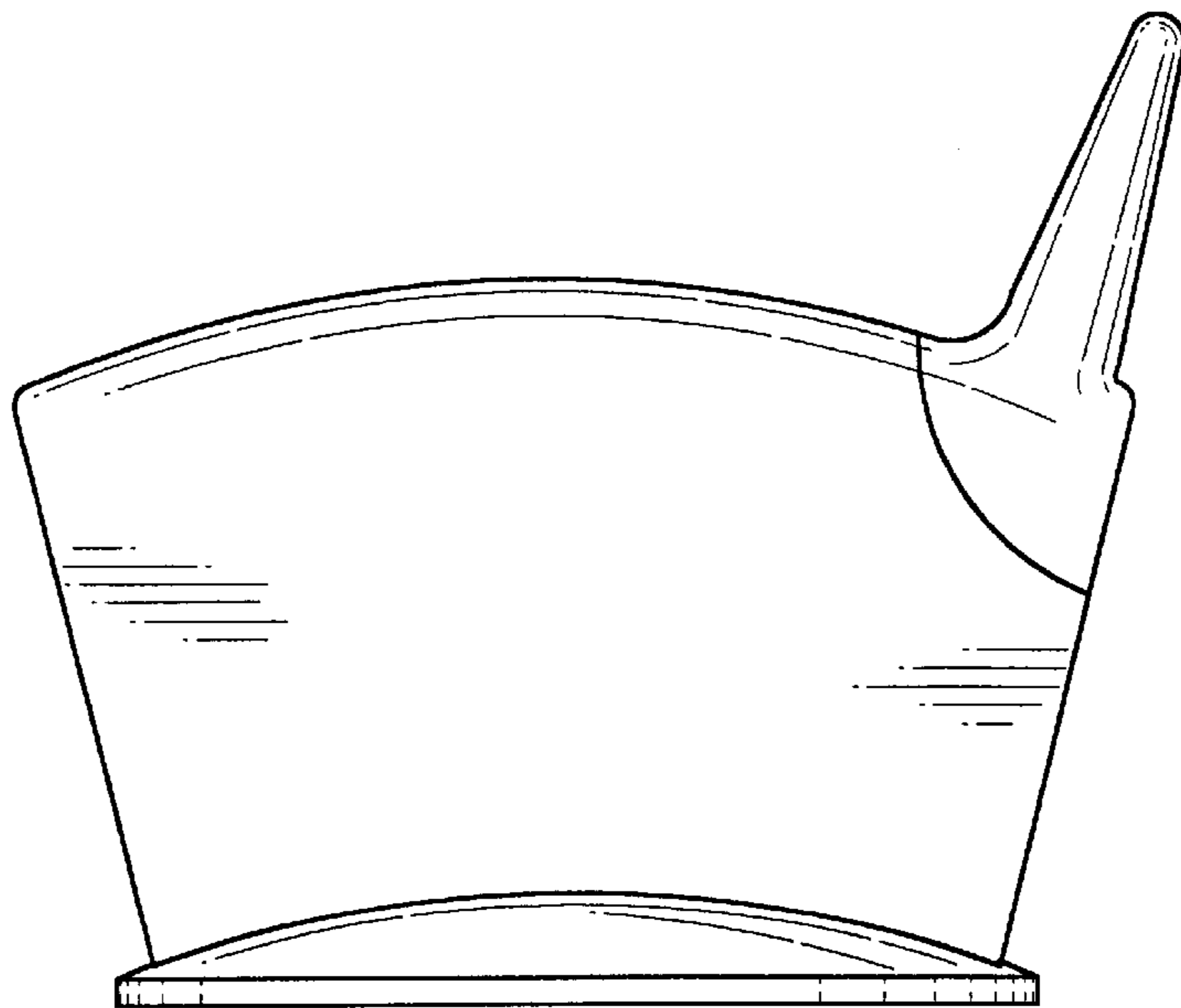


FIG. 2

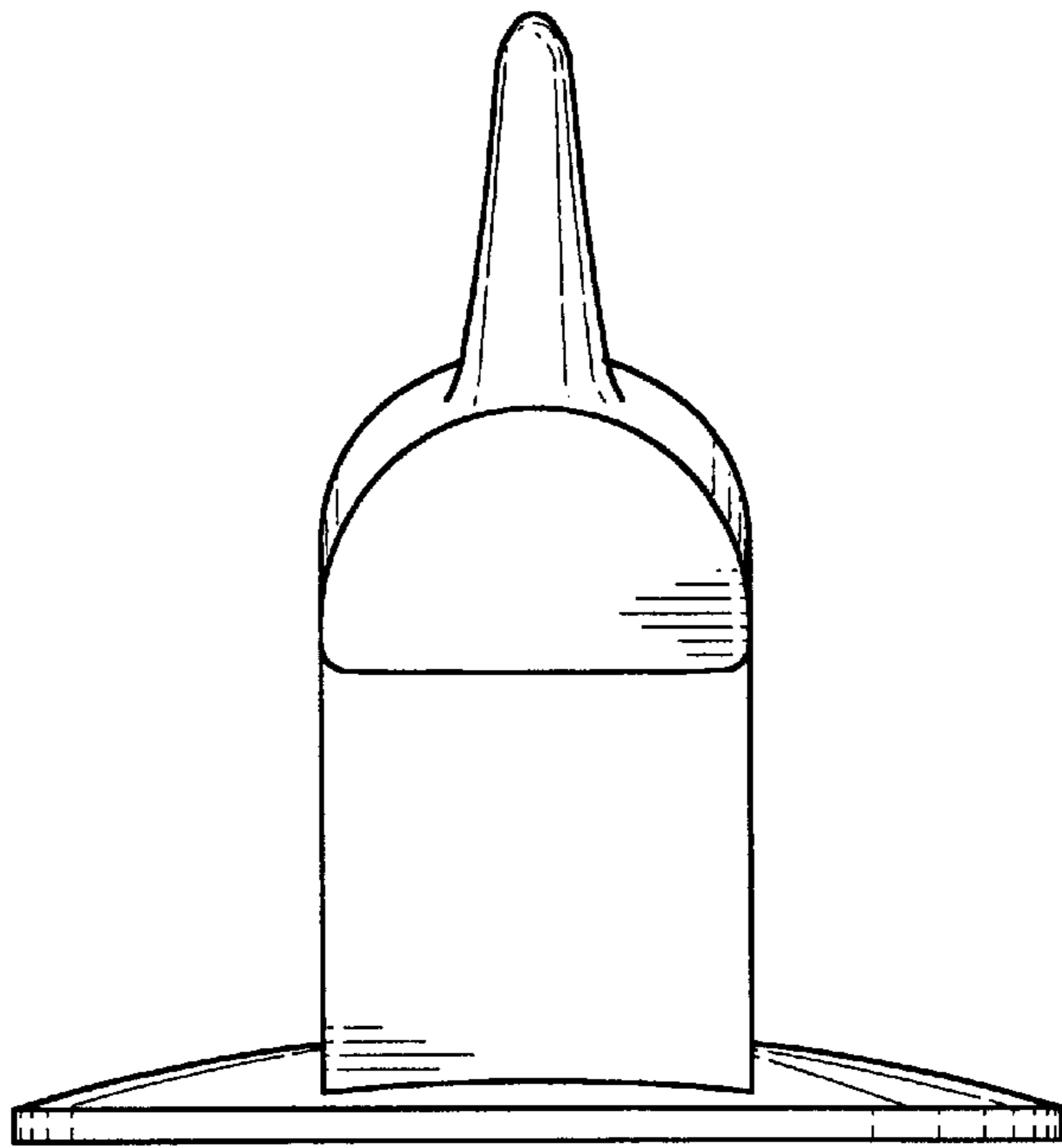


FIG. 3

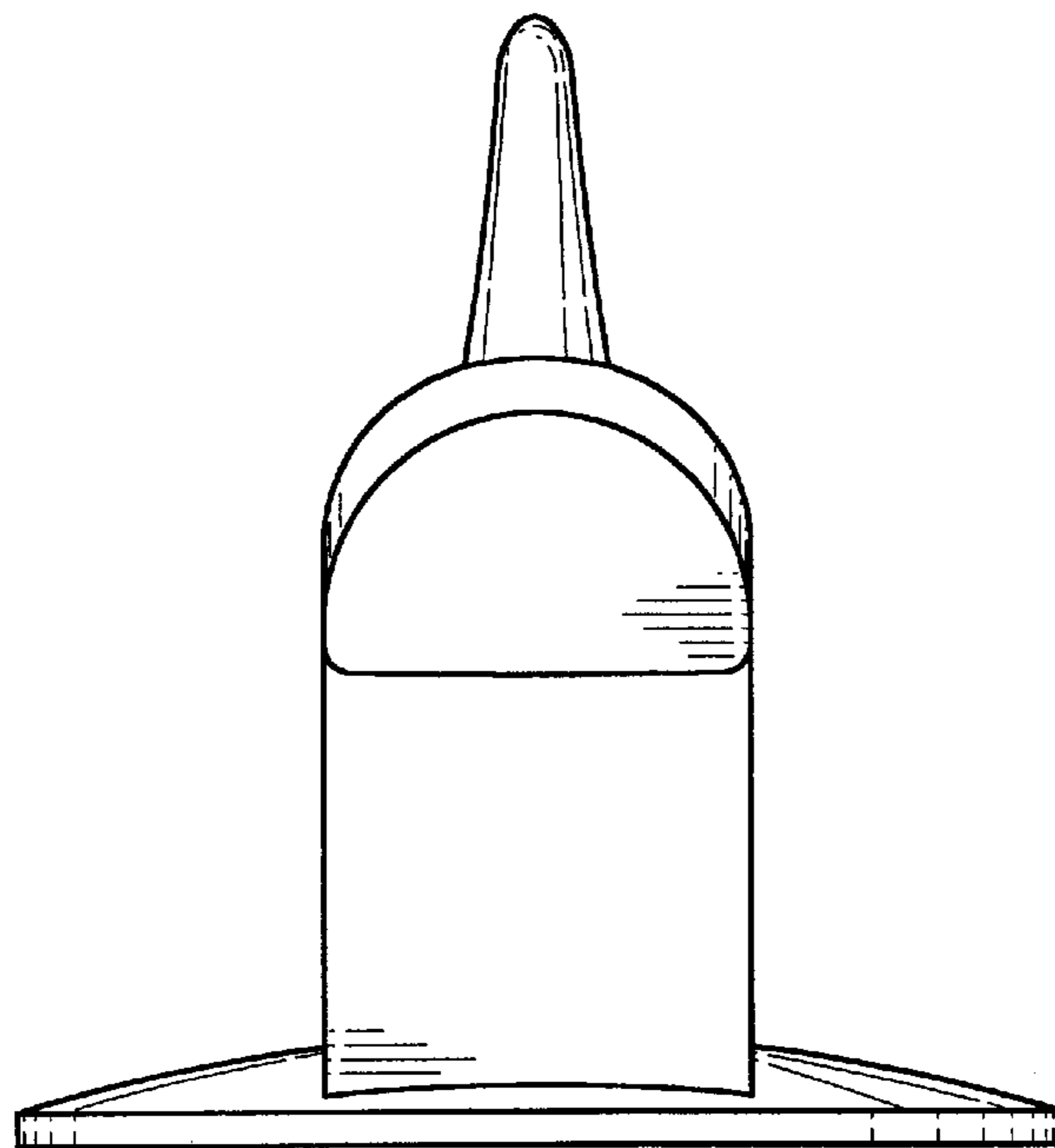


FIG. 4

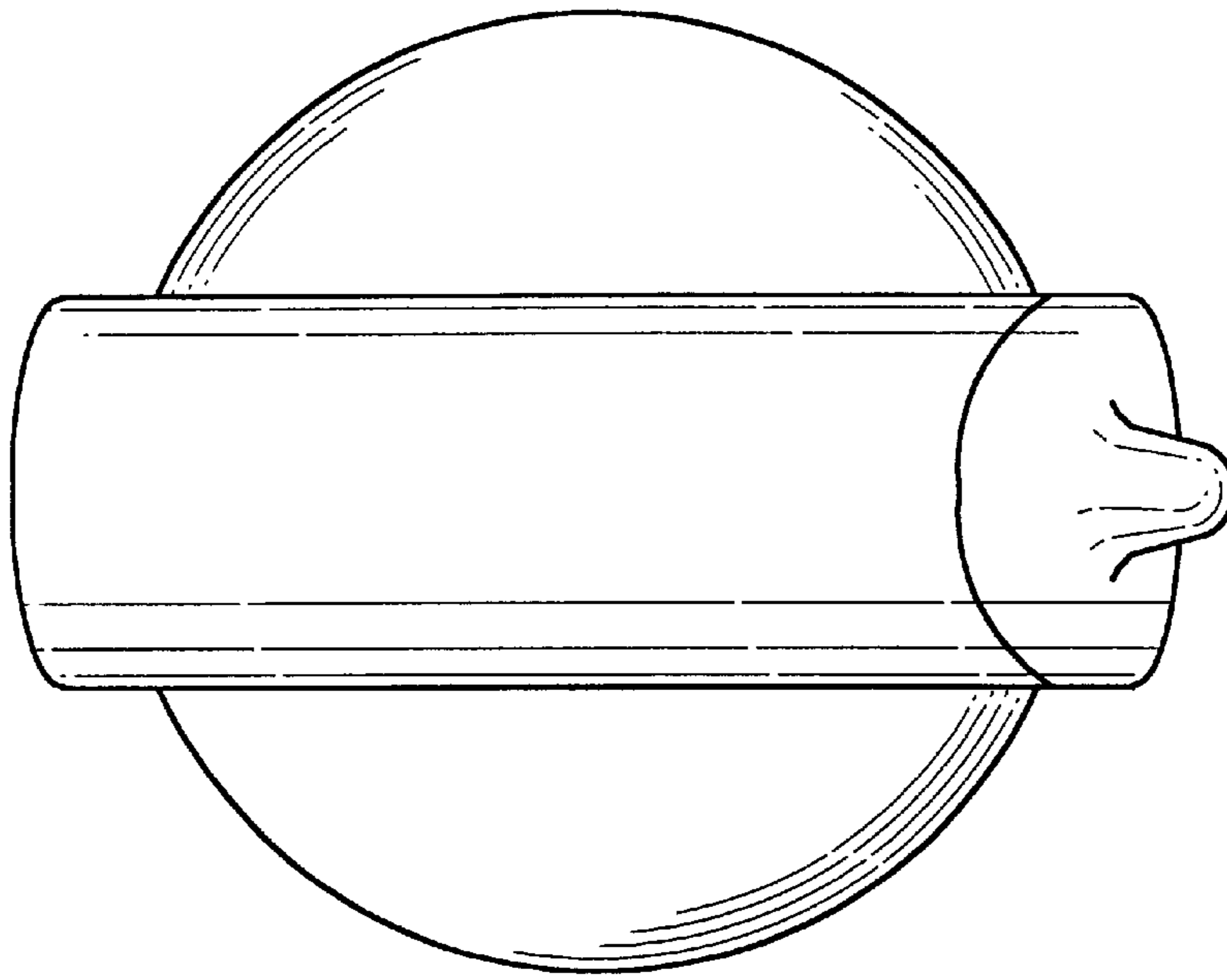


FIG. 5

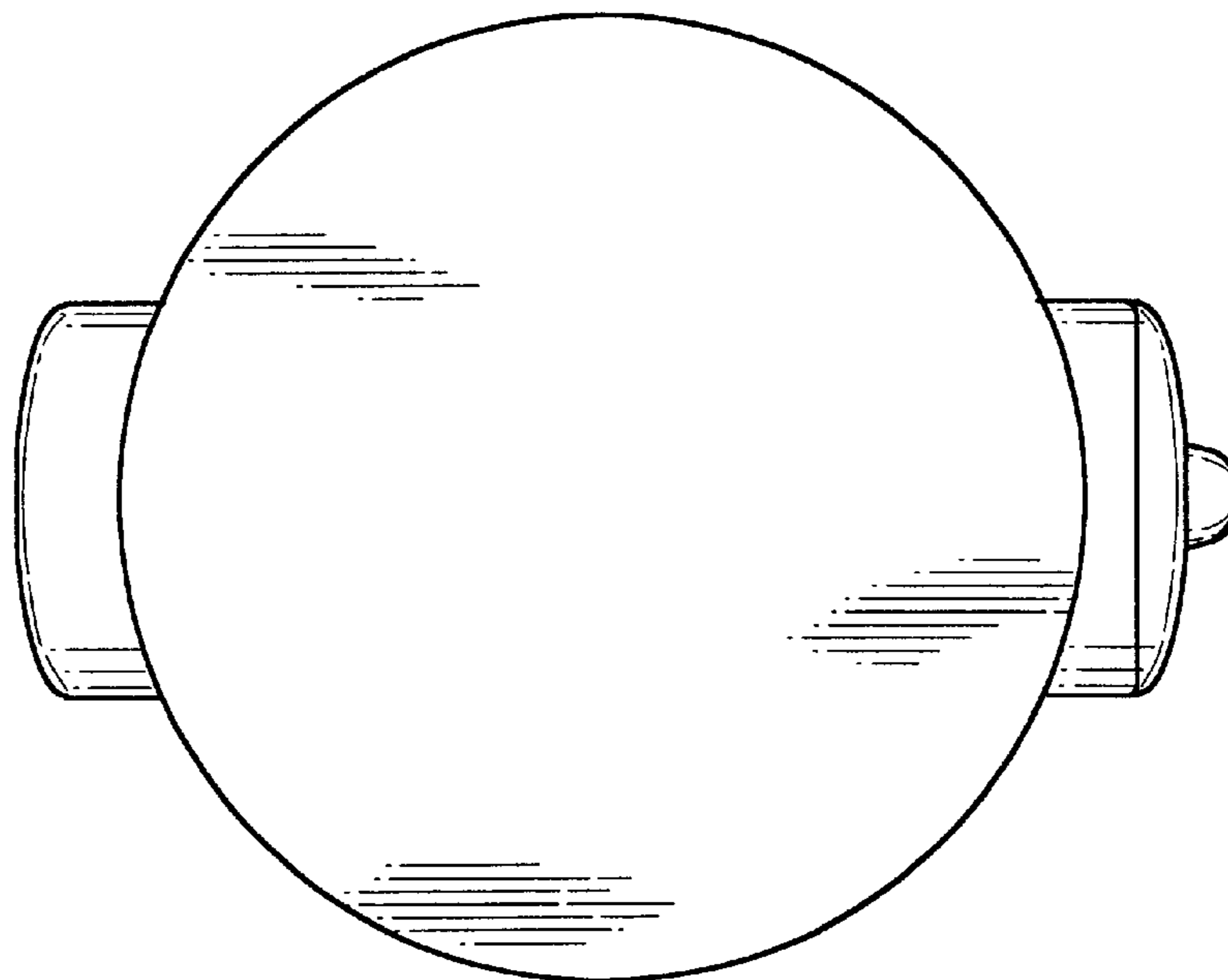


FIG. 6