



US00D442923S

(12) **United States Design Patent**
Raspotnig

(10) **Patent No.:** **US D442,923 S**

(45) **Date of Patent:** **** May 29, 2001**

(54) **ELECTRONIC DEVICE HOUSING**

(75) Inventor: **Michael Raspotnig**, Munich (DE)

(73) Assignee: **PULS Elektronische Stromversorgungen GmbH**, Munich (DE)

(**) Term: **14 Years**

(21) Appl. No.: **29/117,116**

(22) Filed: **Jan. 17, 2000**

(30) **Foreign Application Priority Data**

Nov. 8, 1999 (DE) 4 99 10 492

(51) **LOC (7) Cl.** **13-99**

(52) **U.S. Cl.** **D13/184**

(58) **Field of Search** D13/184, 123, D13/158, 160, 162-164; 361/600, 601, 622, 625-627, 679, 728-730; 439/61, 431, 715-717, 928

(56) **References Cited**

U.S. PATENT DOCUMENTS

D. 358,369 * 5/1995 Shimizu et al. D13/164

D. 394,842 * 6/1998 Kellstedt, Jr. et al. D13/162

5,483,229 * 1/1996 Tamura et al. 439/61 X

OTHER PUBLICATIONS

Set of undated photographs of an electronic housing sold in the U.S. more than one year prior to filing of this application.

* cited by examiner

Primary Examiner—Brian N. Vinson
(74) *Attorney, Agent, or Firm*—Woodcock Washburn Kurtz Mackiewicz & Norris LLP

(57) **CLAIM**

The ornamental design for an electronic device housing, as shown and described.

DESCRIPTION

FIG. 1 is a top perspective view of the electronic device housing;

FIG. 2 is a bottom perspective view of the housing embodiment shown in FIG. 1;

FIG. 3 is a right side perspective view of the housing embodiment shown in FIG. 1;

FIG. 4 is a left side perspective view of the housing embodiment shown in FIG. 1;

FIG. 5 is a rear elevation view of the housing embodiment shown in FIG. 1;

FIG. 6 is a front elevation view of the housing embodiment shown in FIG. 1;

FIG. 7 is a right side elevational view of the housing embodiment of FIG. 1;

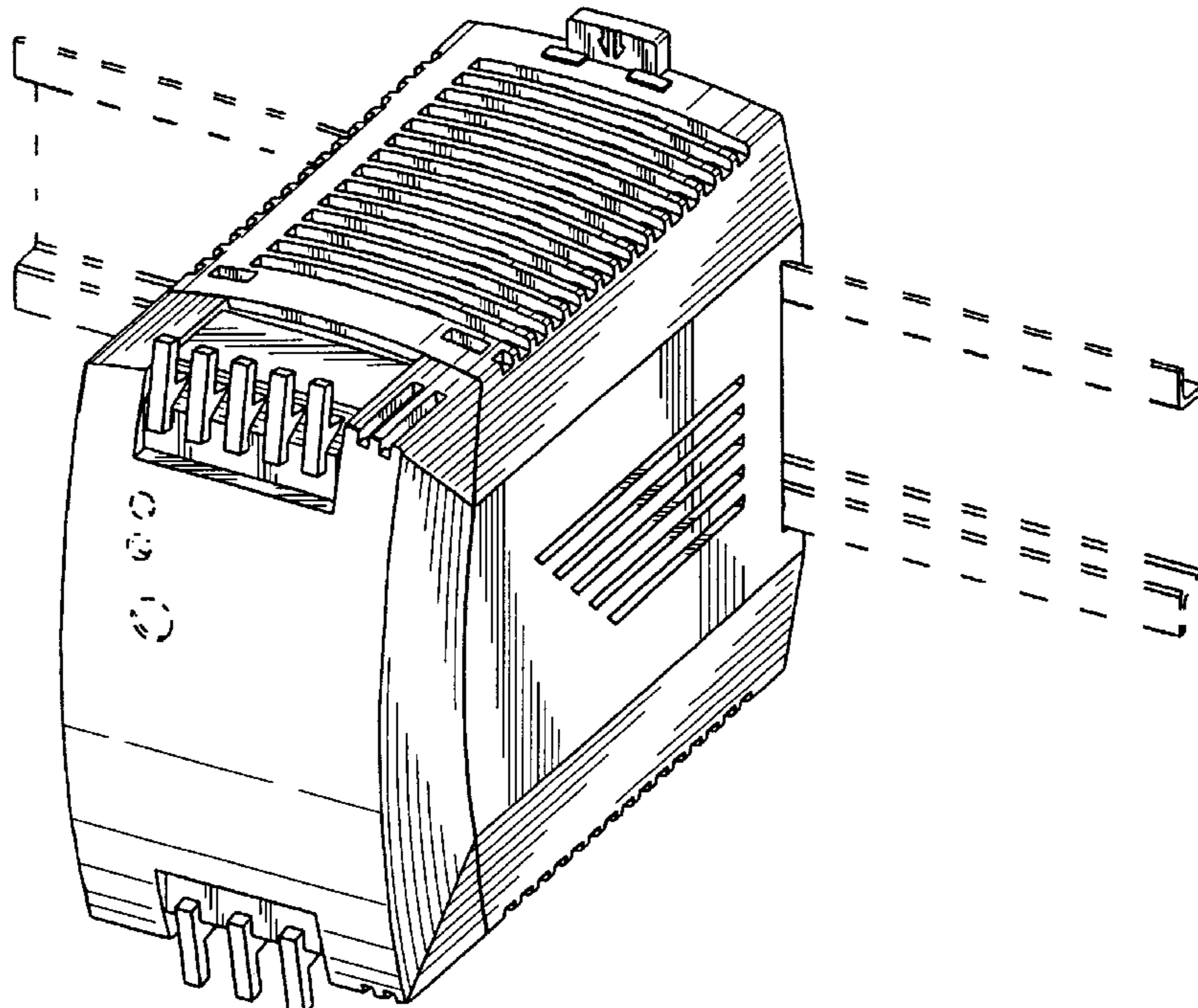
FIG. 8 is a left side elevational view of the housing embodiment of FIG. 1;

FIG. 9 is a top elevational view of the housing embodiment of FIG. 1; and,

FIG. 10 is a bottom elevational view of the housing embodiment of FIG. 1.

The broken-line disclosure in the views is for illustrative purposes only and forms no part of the claimed design.

1 Claim, 10 Drawing Sheets



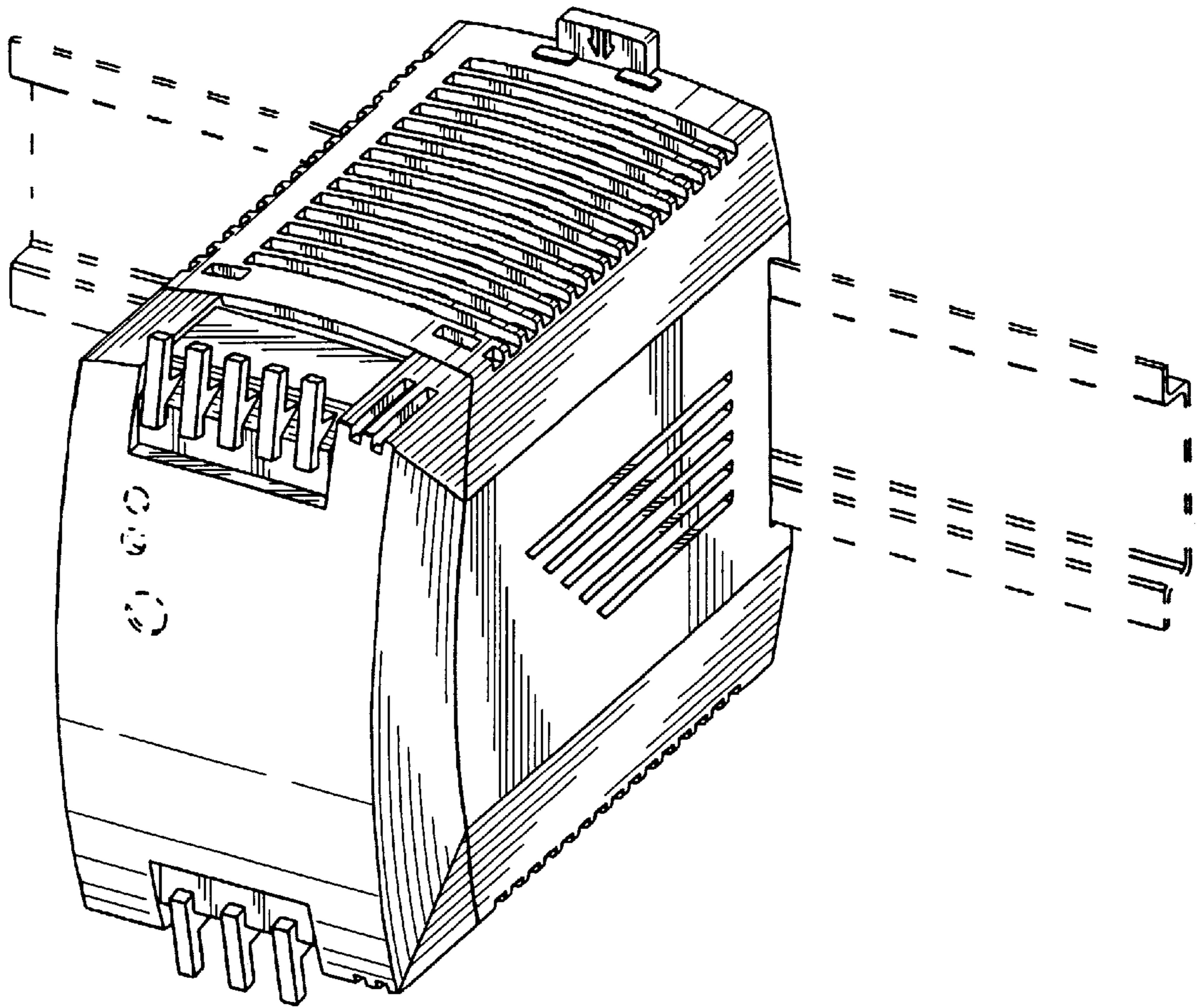


Fig. 1

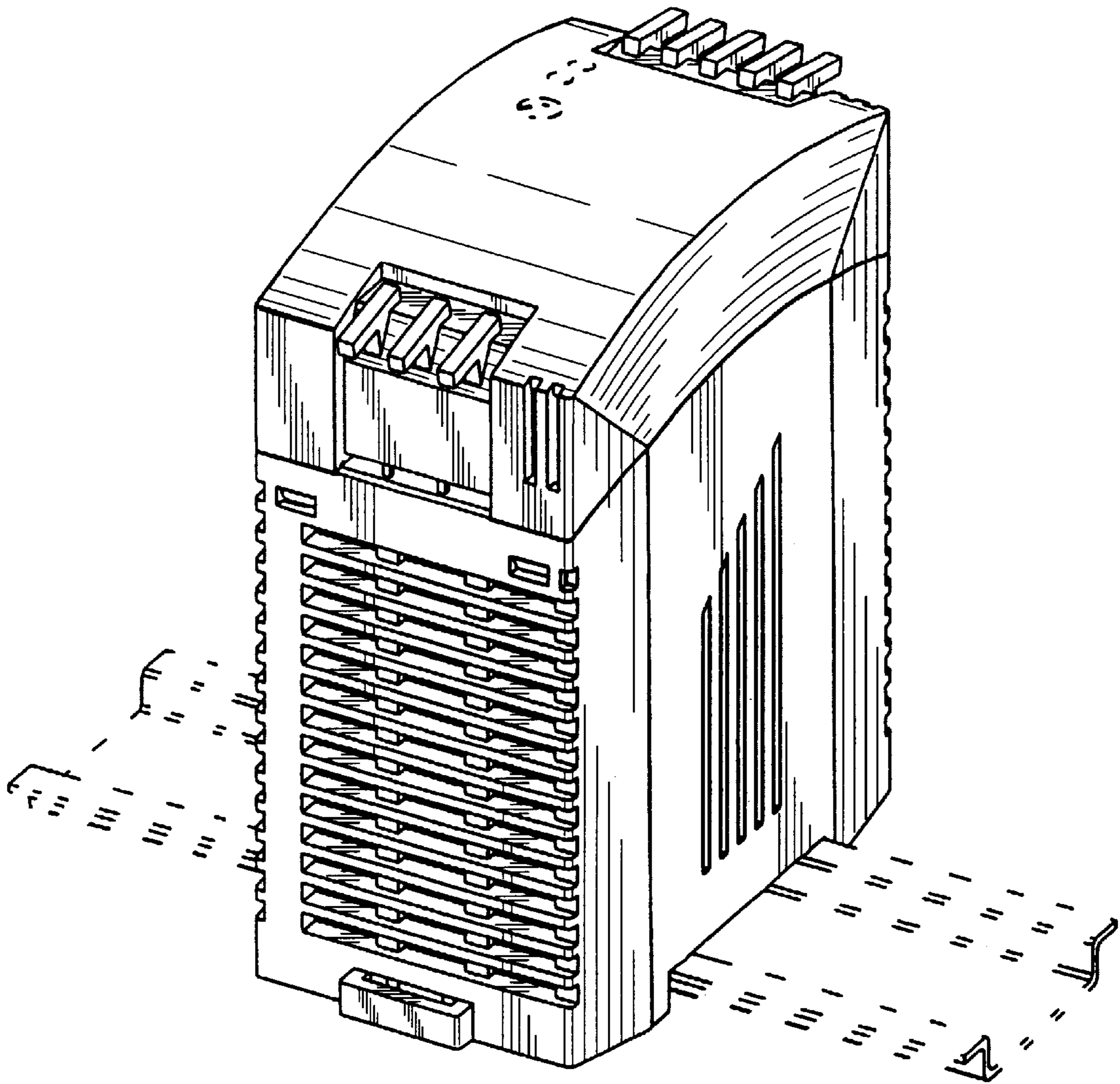


Fig. 2

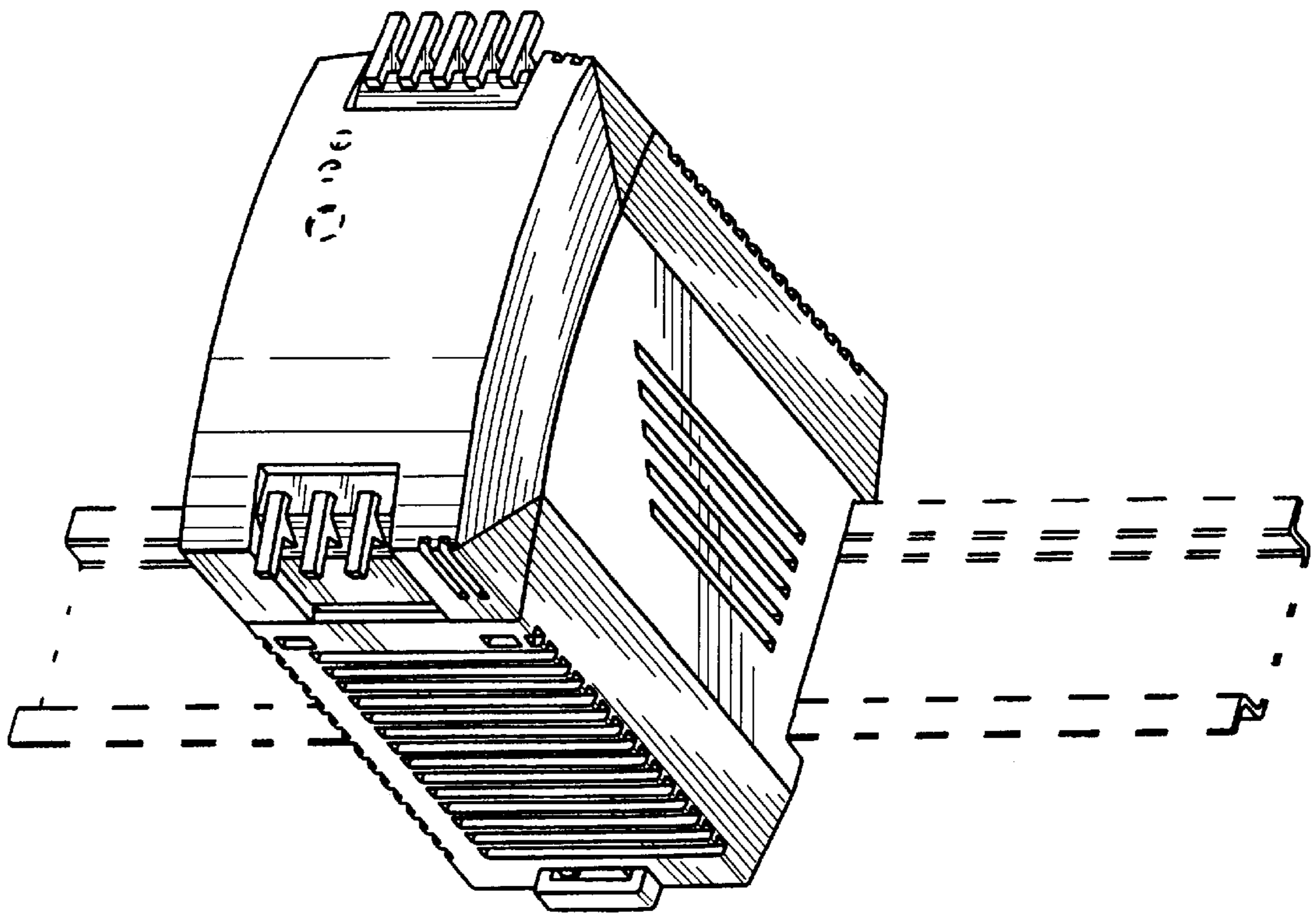


Fig. 3

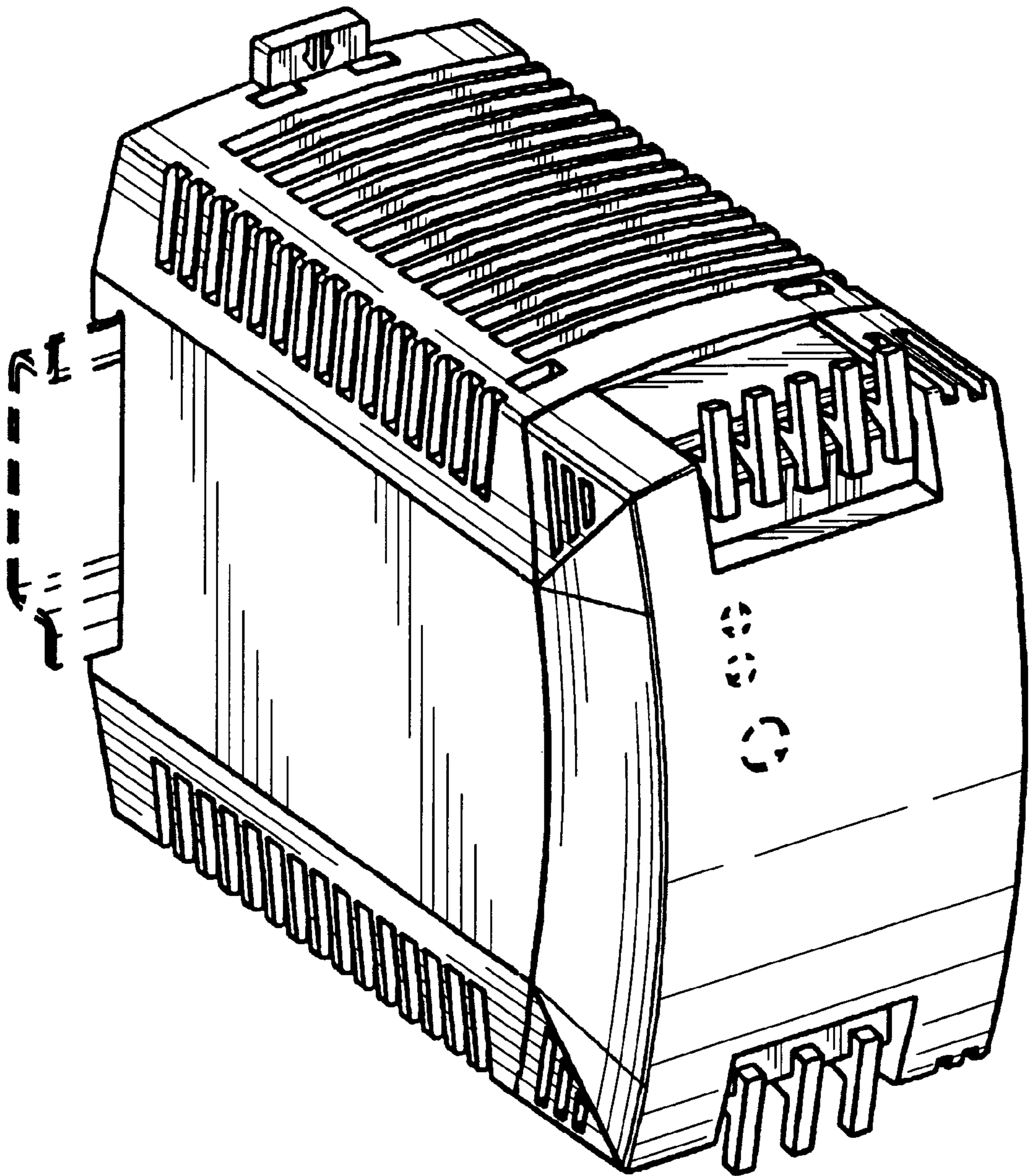


Fig. 4

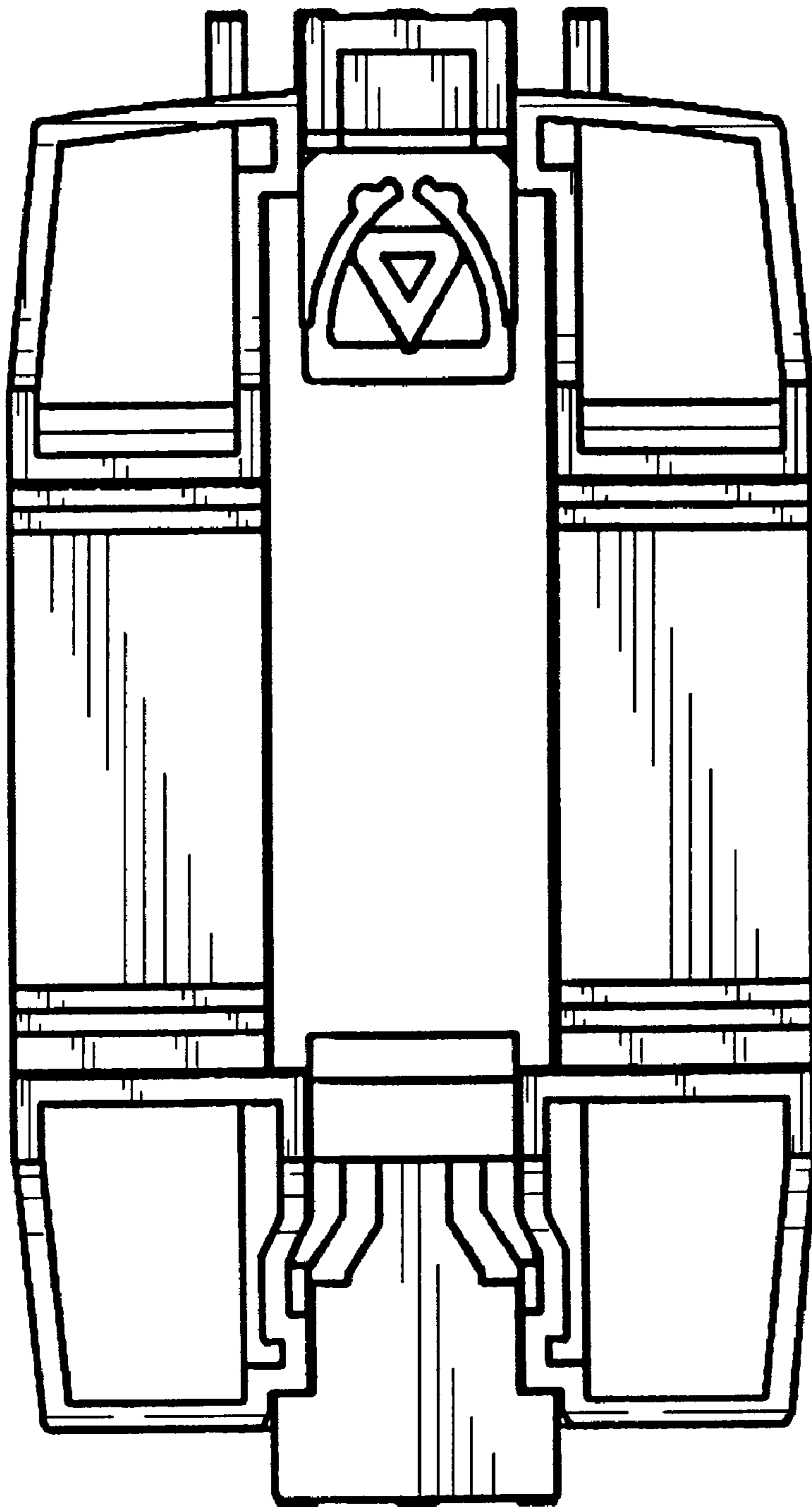


Fig. 5

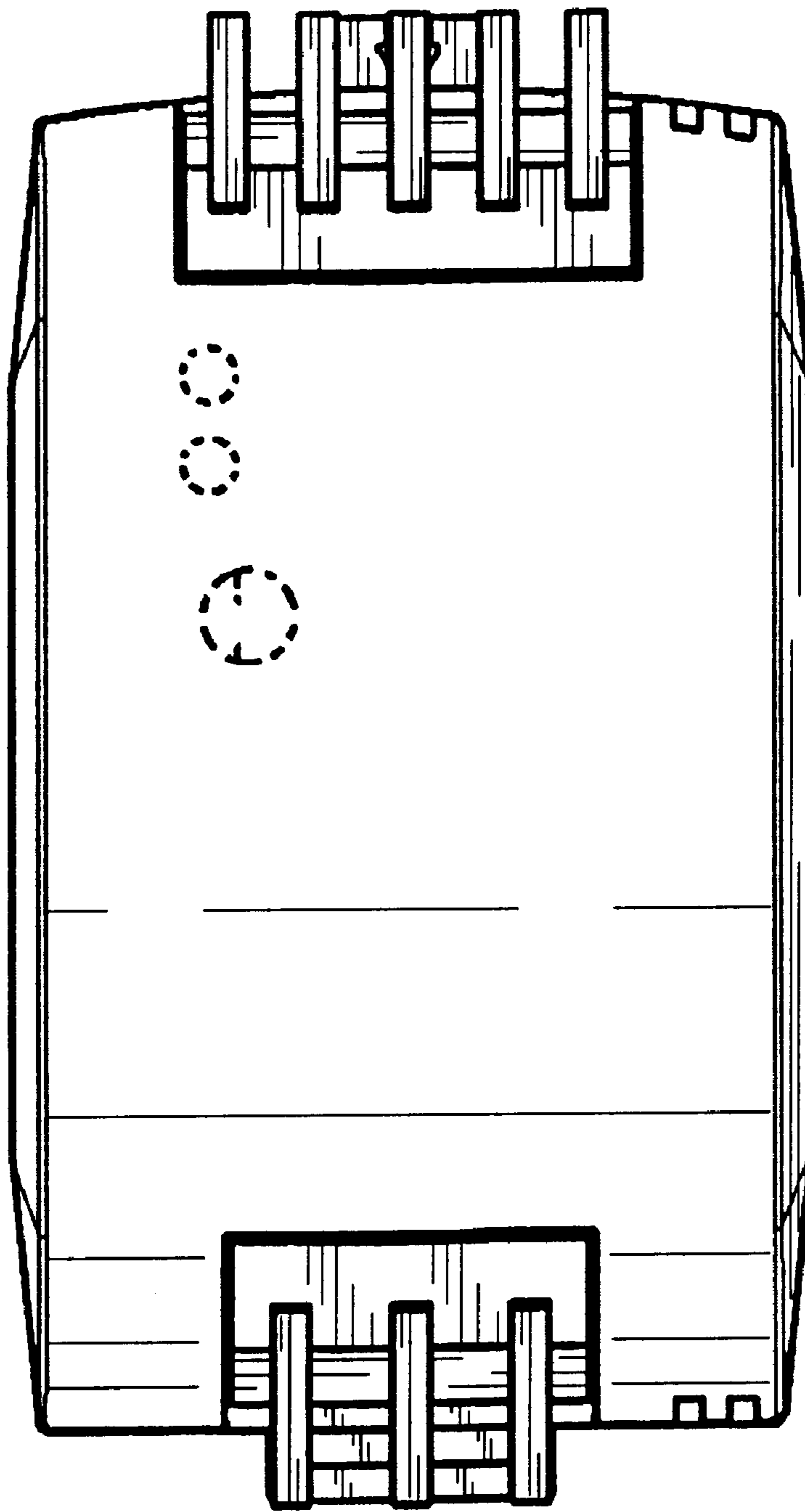


Fig. 6

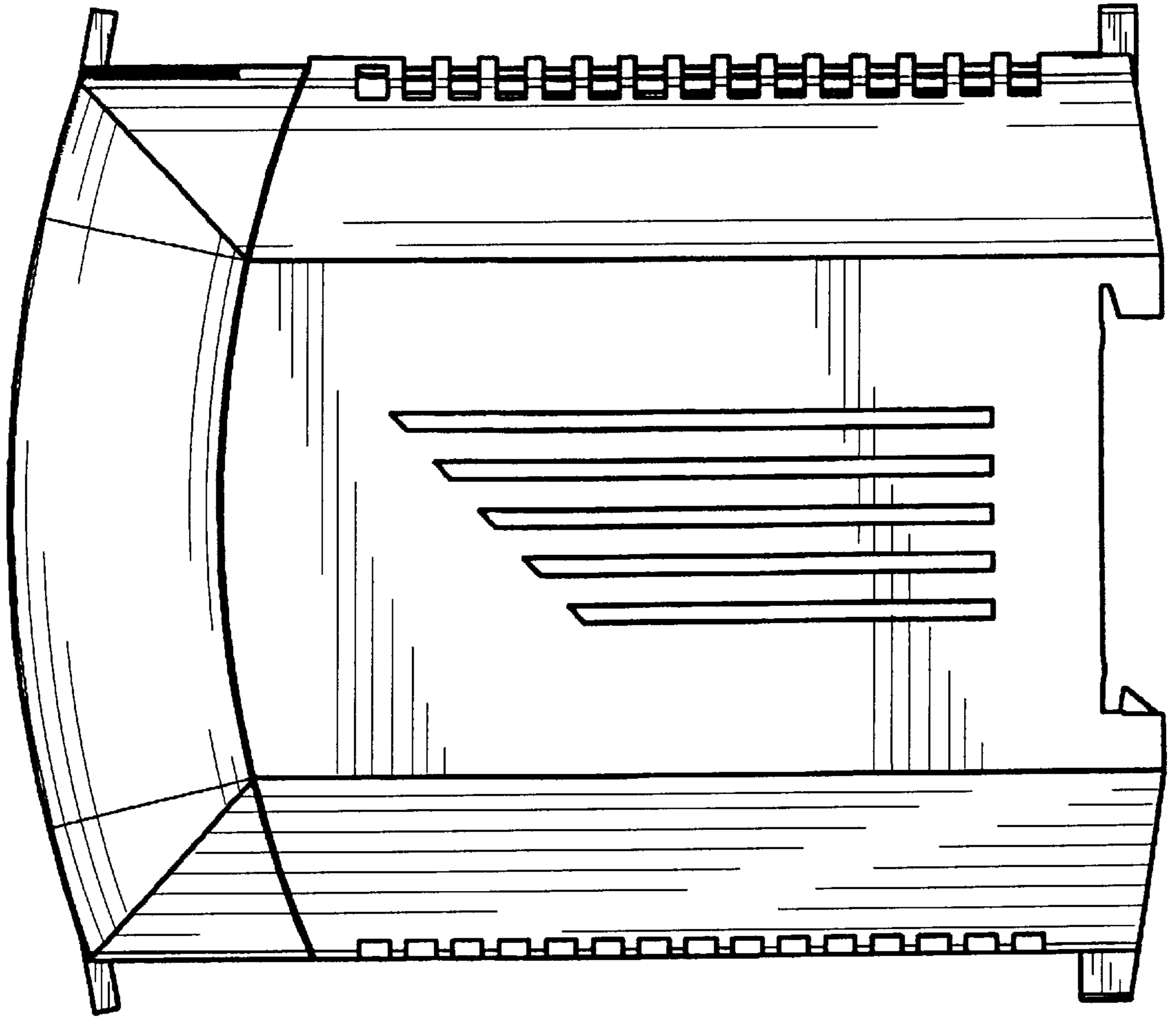


Fig. 7

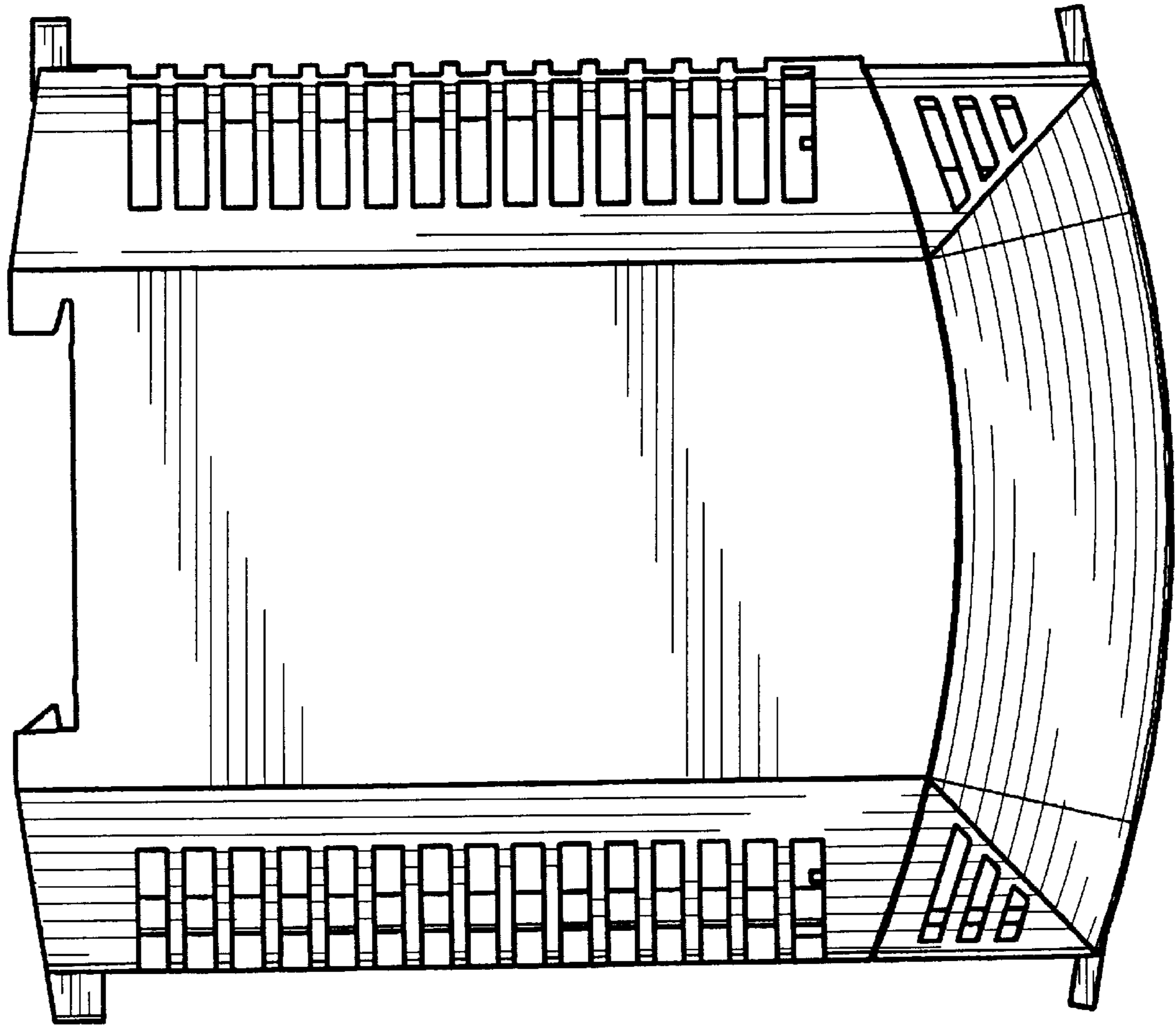


Fig. 8

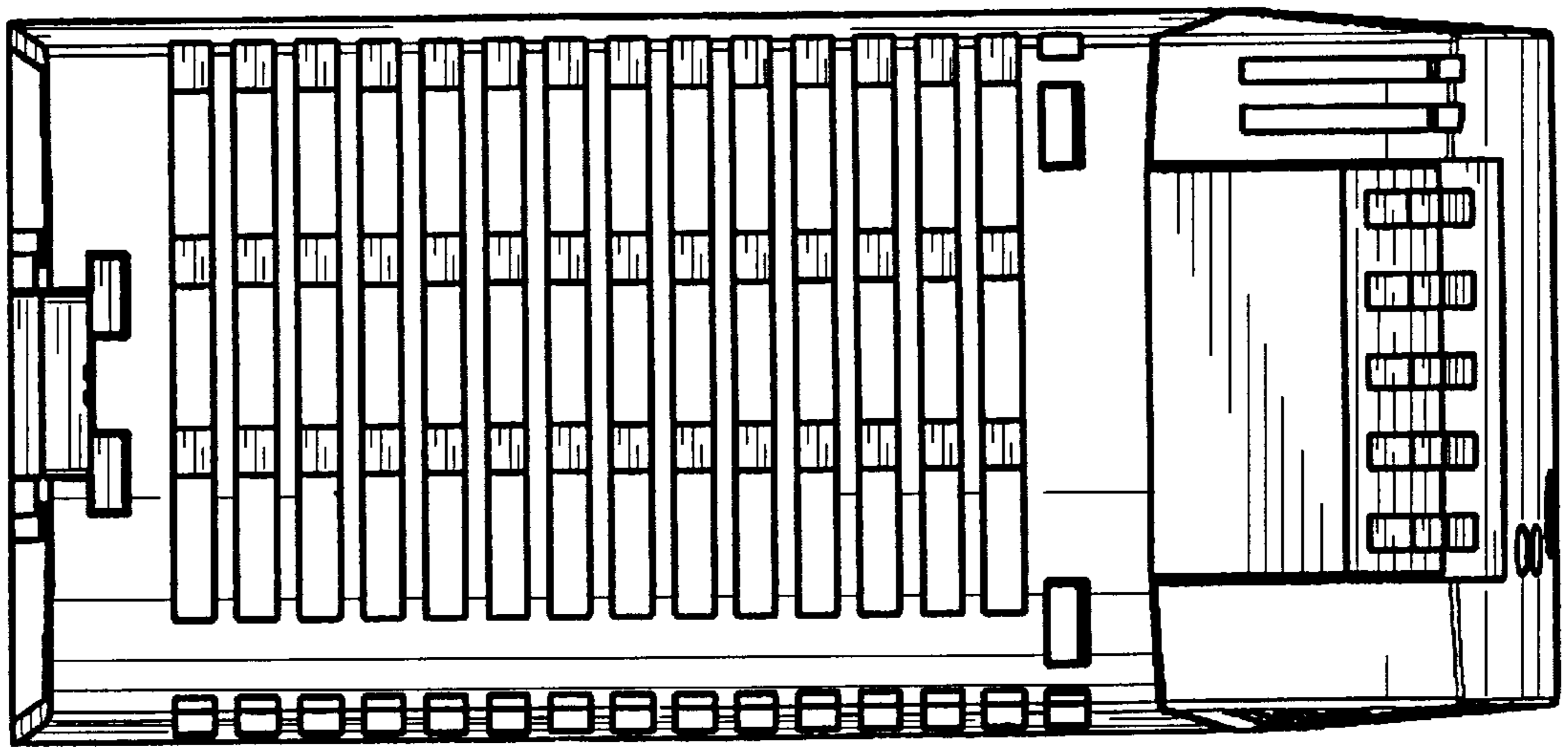


Fig.9

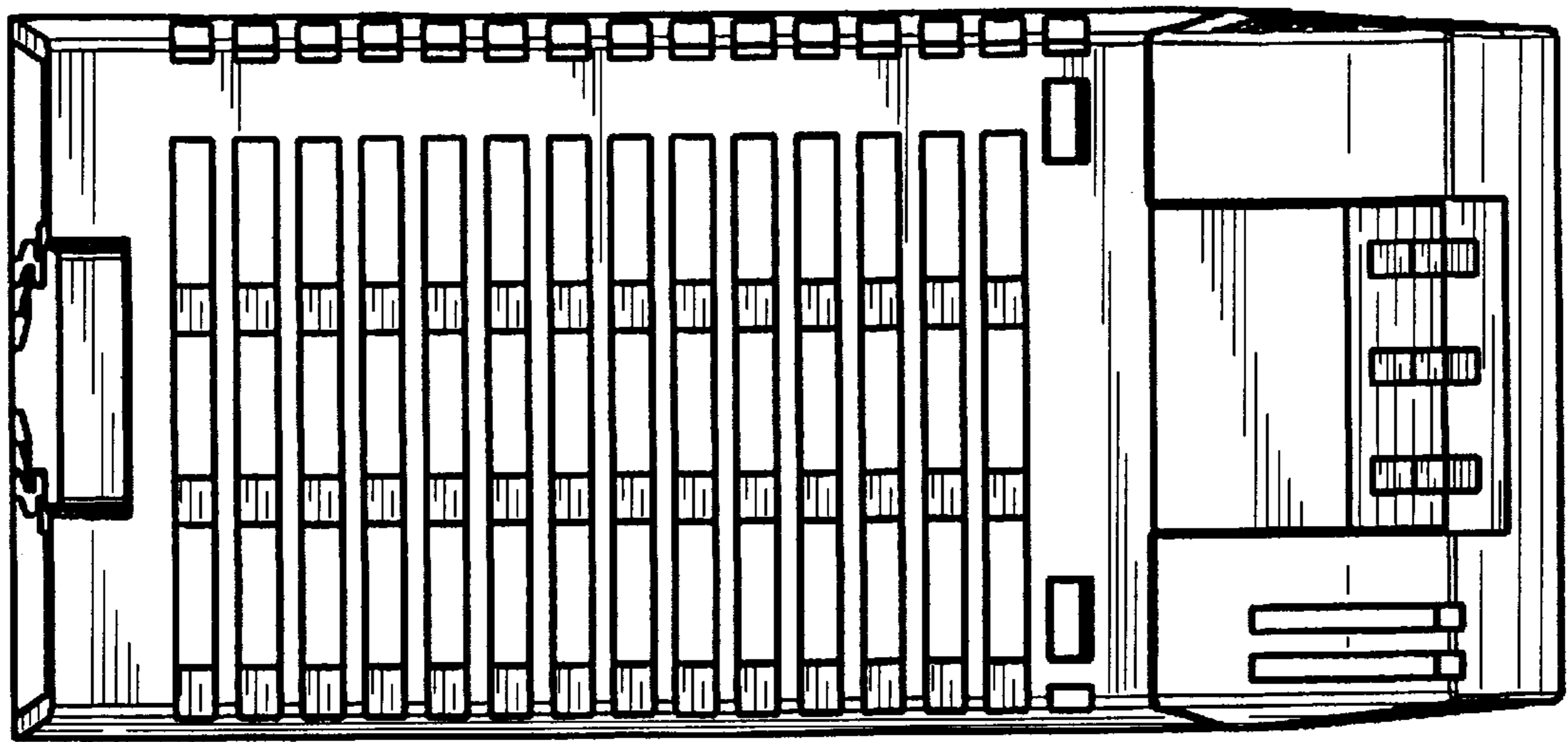


Fig. 10

UNITED STATES PATENT AND TRADEMARK OFFICE
CERTIFICATE OF CORRECTION

PATENT NO. : Des. 442,923 S
DATED : May 29, 2001
INVENTOR(S) : Ing. Michael Raspotnig

Page 1 of 1

It is certified that error appears in the above-identified patent and that said Letters Patent is hereby corrected as shown below:

Title page.

Item [75], insert -- Ing. -- before "Michael";

Item [30], delete foreign application priority number "4 99 10 492" and insert -- 4 99 10 492.7 -- therefor.

Signed and Sealed this

Fourth Day of December, 2001

Attest:

Nicholas P. Godici

Attesting Officer

NICHOLAS P. GODICI
Acting Director of the United States Patent and Trademark Office