



US00D442921S

(12) **United States Design Patent**
Bonn

(10) **Patent No.:** **US D442,921 S**

(45) **Date of Patent:** **** May 29, 2001**

(54) **PUSH BUTTON FRONT ELEMENT FOR AN ELECTRICAL CONTROL AND SIGNALING UNIT**

(75) **Inventor:** **Alfred Bonn, Bonn (DE)**

(73) **Assignee:** **Moeller GmbH, Bonn (DE)**

(**) **Term:** **14 Years**

(21) **Appl. No.:** **29/123,066**

(22) **Filed:** **May 10, 2000**

Related U.S. Application Data

(62) Division of application No. 29/099,186, filed on Jan. 15, 1999.

(30) **Foreign Application Priority Data**

Jul. 15, 1998 (WO) 122 554 101

(51) **LOC (7) Cl.** **13-03**

(52) **U.S. Cl.** **D13/174**

(58) **Field of Search** D13/174, 171;
200/237, 238, 252, 275, 293, 329

(56) **References Cited**

U.S. PATENT DOCUMENTS

D. 344,930 * 3/1994 Schaeffer D13/171

D. 362,841 * 10/1995 Roza D13/171

D. 377,337 * 1/1997 Schaeffer D13/171

* cited by examiner

Primary Examiner—Brian N. Vinson

(74) *Attorney, Agent, or Firm*—Kenyon & Kenyon

(57) **CLAIM**

The ornamental design for a push button front element for an electrical control and signaling unit, as shown and described.

DESCRIPTION

FIG. 1 is a perspective view of a push button front element embodying my new design showing the top and the front and left sides of the front element. The rear and right sides of the front element are symmetrical with the front and left sides and the bottom of the front element forms no part of claimed design.

1 Claim, 1 Drawing Sheet

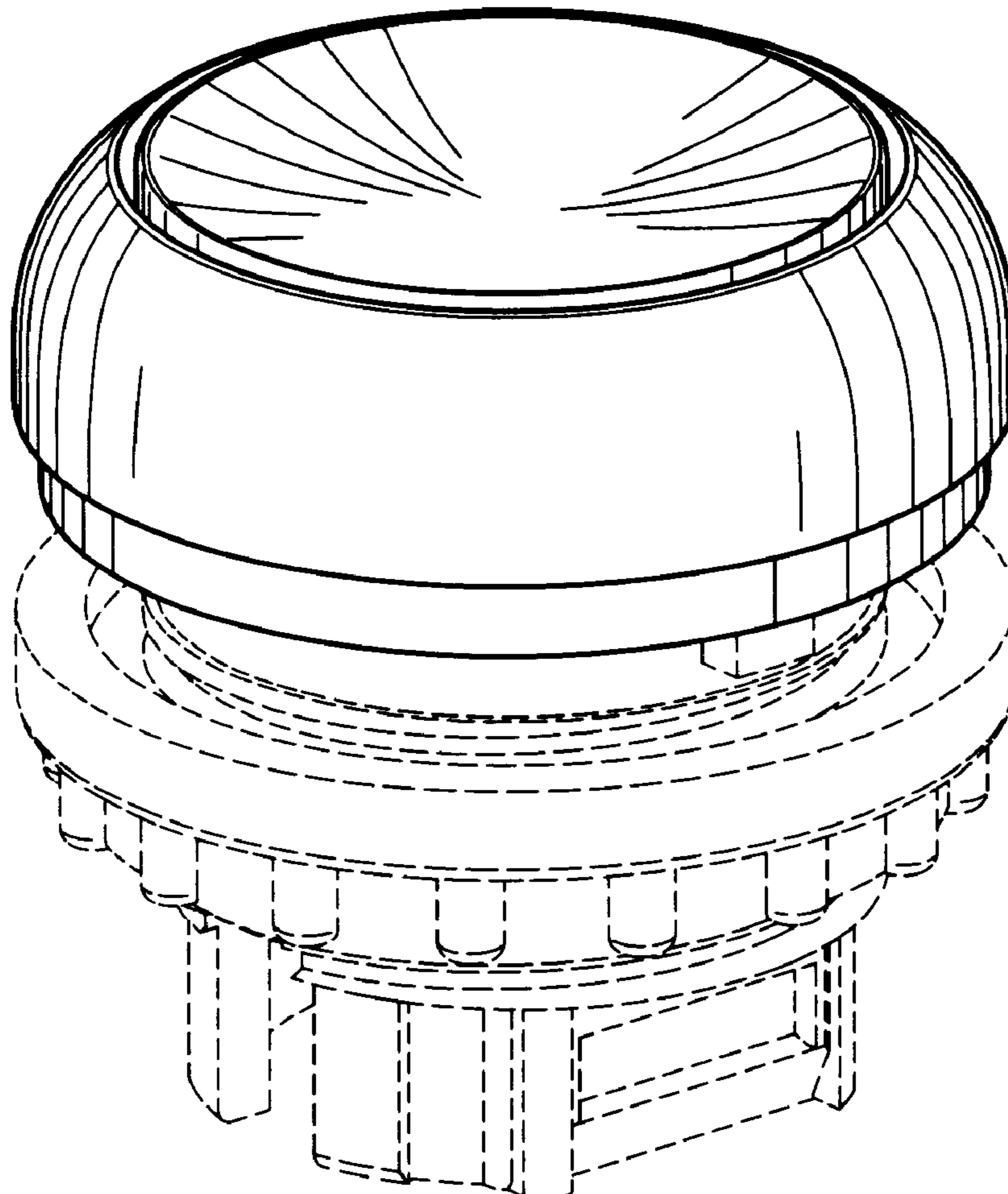


Fig. 1

