



US00D442918S

(12) **United States Design Patent**  
**Knight**

(10) **Patent No.:** **US D442,918 S**

(45) **Date of Patent:** **\*\* May 29, 2001**

(54) **GRIP FOR HEADSHELL OF ELECTRIC CONNECTOR**

2,621,043 \* 12/1952 Olmstead ..... 16/421 X  
2,969,417 \* 1/1961 Weller ..... 174/46

(75) Inventor: **Mark Knight**, Laguna Niguel, CA (US)

\* cited by examiner

(73) Assignee: **Hosa Technology, Inc.**, Buena Park, CA (US)

*Primary Examiner*—Susan J. Lucas

*Assistant Examiner*—Jennifer Rivard

(74) *Attorney, Agent, or Firm*—Price and Gess

(\*\*) Term: **14 Years**

(57) **CLAIM**

(21) Appl. No.: **29/120,540**

I claim the ornamental design for a grip for headshell of electric connector, as shown and described.

(22) Filed: **Mar. 21, 2000**

**DESCRIPTION**

(51) **LOC (7) Cl.** ..... **13-03**

(52) **U.S. Cl.** ..... **D13/154; D8/303**

(58) **Field of Search** ..... D13/144, 154,  
D13/156; D8/300, 303, 312; 74/551.9;  
174/46; 439/625, 668, 901; 16/421, 430,  
DIG. 12

FIG. 1 is a perspective view of the design of a grip for headshell of electric connector, the dotted lines do not form part of the design of the present invention;

FIG. 2 is a left hand view of the design of the present invention;

FIG. 3 is an elevated front view, which is the same as a back, bottom, and top view;

FIG. 4 is a right hand view of the present invention; and,

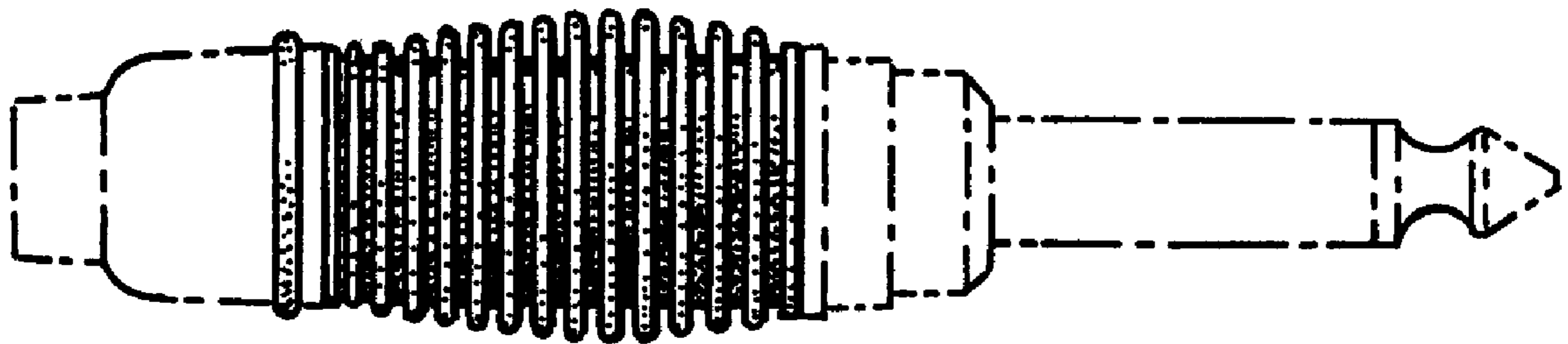
FIG. 5 is an elevated front view of the second embodiment of the invention in a smaller configuration, the back, bottom, and top views being identical to the front view.

(56) **References Cited**

**U.S. PATENT DOCUMENTS**

- D. 31,257 \* 7/1899 Mather ..... D8/303
- Re. 34,194 \* 3/1993 Stowell et al. .... 16/421
- D. 132,606 \* 6/1942 Schlage ..... D8/312
- D. 317,243 \* 6/1991 Everding et al. .... D8/300 X

**1 Claim, 1 Drawing Sheet**



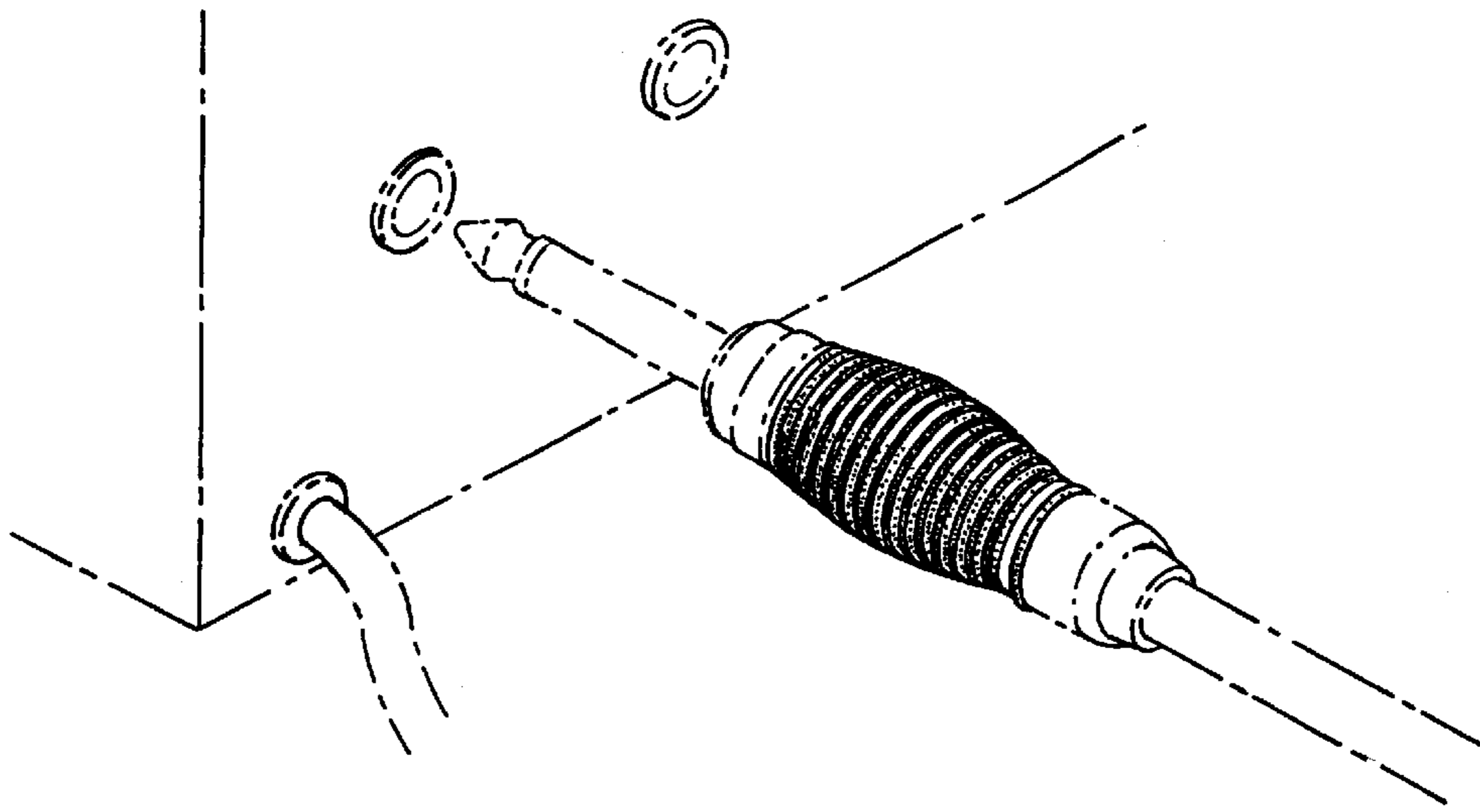


FIG. 1

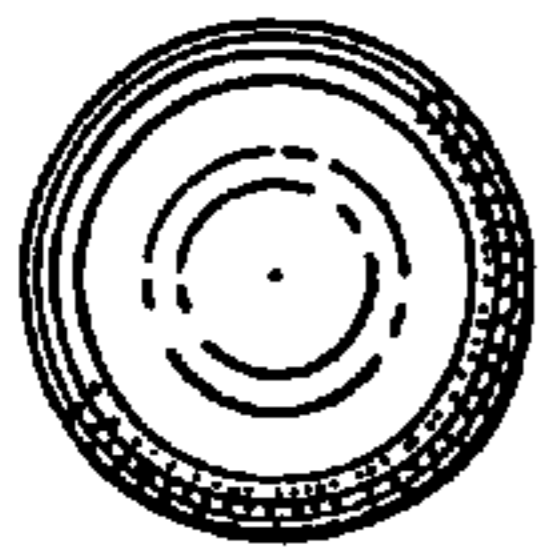


FIG. 2

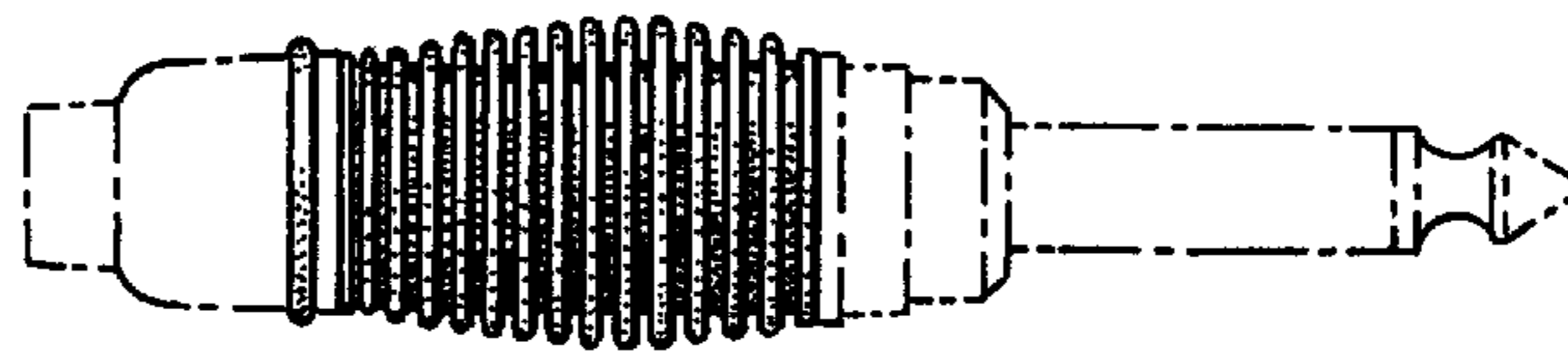


FIG. 3

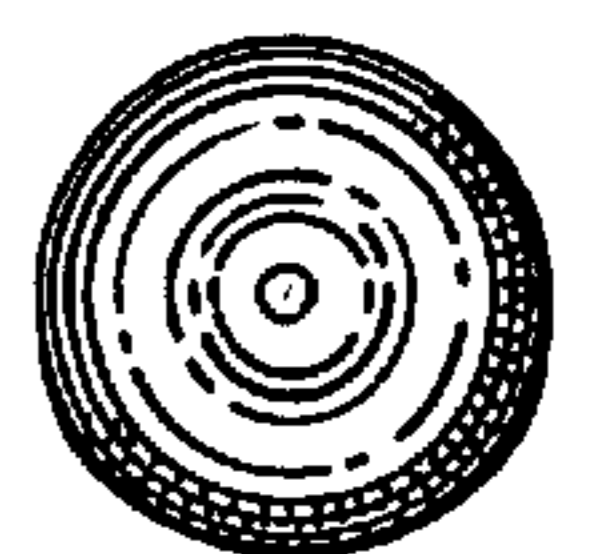


FIG. 4

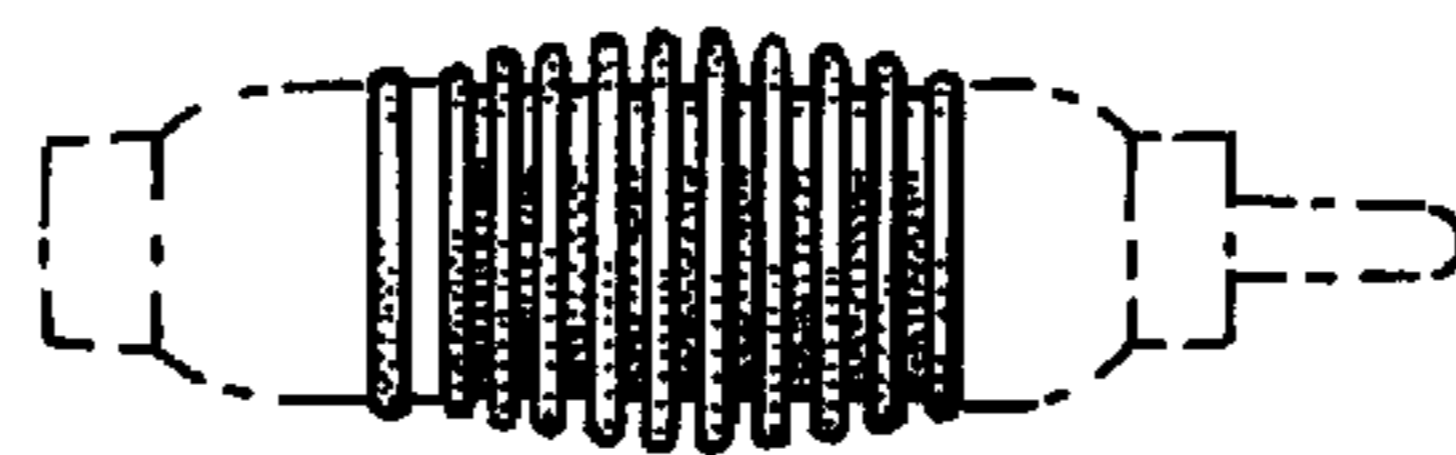


FIG. 5