



US00D442917S

(12) **United States Design Patent**  
**Wu**

(10) **Patent No.:** **US D442,917 S**

(45) **Date of Patent:** **\*\* May 29, 2001**

- (54) **ELECTRICAL CONNECTOR**
- (75) Inventor: **Jerry Wu, Pan-Chiao (TW)**
- (73) Assignee: **Hon Hai Precision Ind. Co., Ltd.,  
Taipei Hsien (TW)**
- (\*\*) Term: **14 Years**
- (21) Appl. No.: **29/124,509**
- (22) Filed: **Jun. 6, 2000**
- (51) **LOC (7) Cl.** ..... **13-03**
- (52) **U.S. Cl.** ..... **D13/147**
- (58) **Field of Search** ..... D13/146, 147,  
D13/154; D14/256; 439/108, 497, 499,  
607-610, 676, 692

4,687,263	*	8/1987	Cosmos et al.	.....	439/108
5,176,526	*	1/1993	Hilbish et al.	.....	439/108
5,195,899	*	3/1993	Yatsu et al.	.....	439/101
5,277,597	*	1/1994	Masami et al.	.....	439/607 X
5,413,491	*	5/1995	Noschese	.....	439/108
6,089,883	*	7/2000	McHugh et al.	.....	439/108

\* cited by examiner

*Primary Examiner*—Joel Sincavage

(74) *Attorney, Agent, or Firm*—Wei Te Chung

(57) **CLAIM**

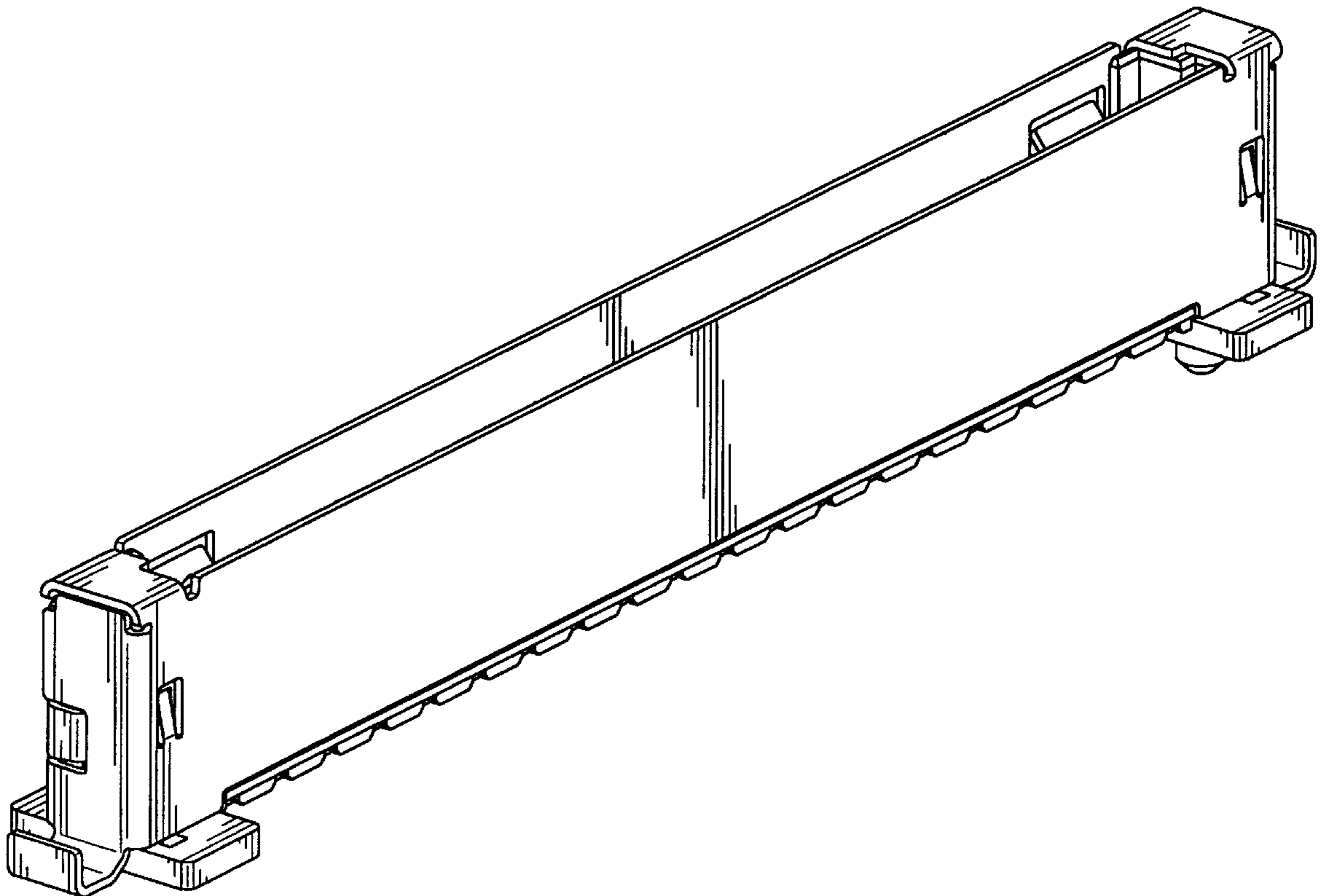
The ornamental design for an electrical connector, as shown.

**DESCRIPTION**

FIG. 1 is a front, top and left side perspective view of an electrical connector showing my new design;  
 FIG. 2 is a front elevational view thereof;  
 FIG. 3 is a rear elevational view thereof;  
 FIG. 4 is a left side elevational view thereof;  
 FIG. 5 is a right side elevational view thereof;  
 FIG. 6 is a top plan view thereof; and,  
 FIG. 7 is a bottom plan view thereof.

- (56) **References Cited**
- U.S. PATENT DOCUMENTS**
- D. 390,828 \* 2/1998 Aramaki ..... D13/147
- D. 413,577 \* 9/1999 Ono et al. .... D13/147
- D. 421,596 \* 3/2000 Azuma et al. .... D13/147
- 4,072,402 \* 2/1978 Butler ..... 439/680

**1 Claim, 4 Drawing Sheets**



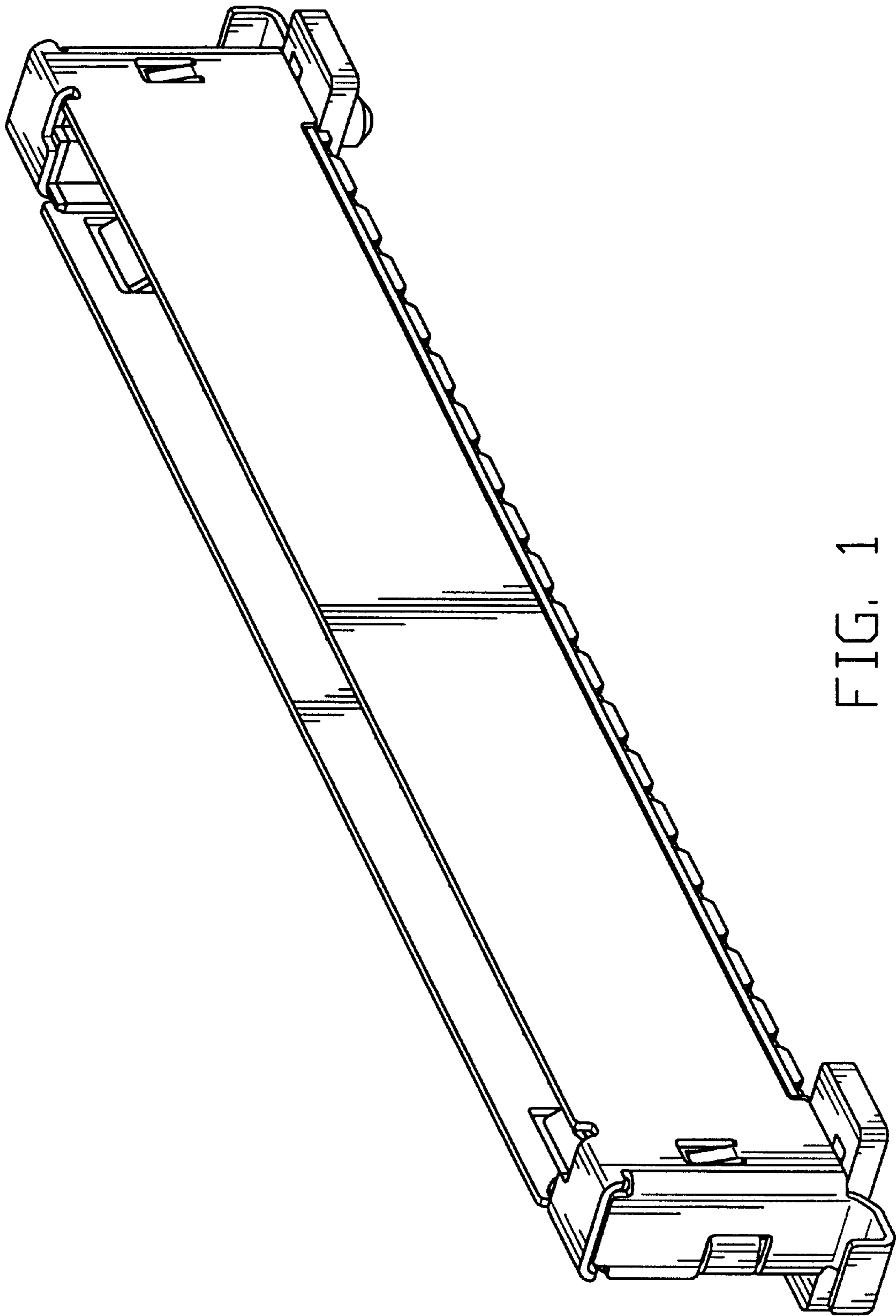


FIG. 1

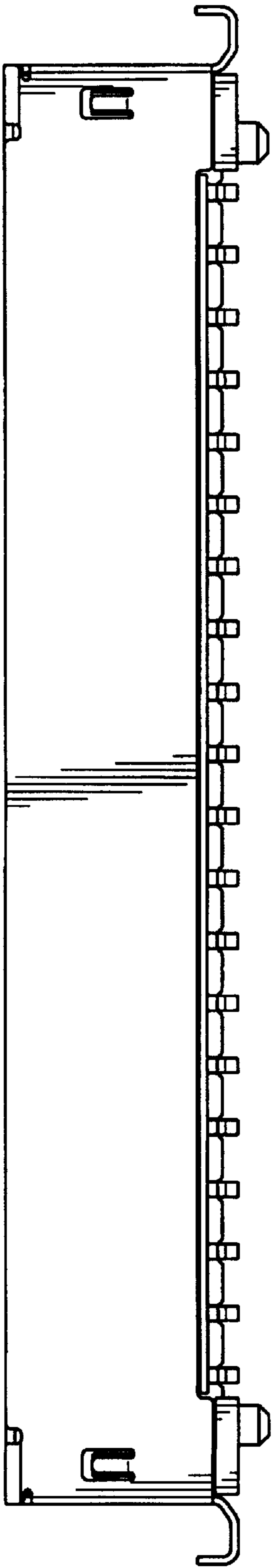


FIG. 2

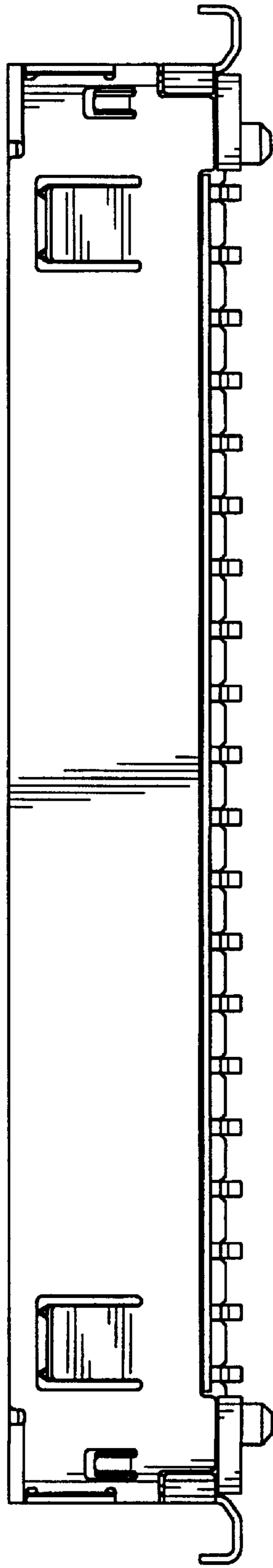


FIG. 3

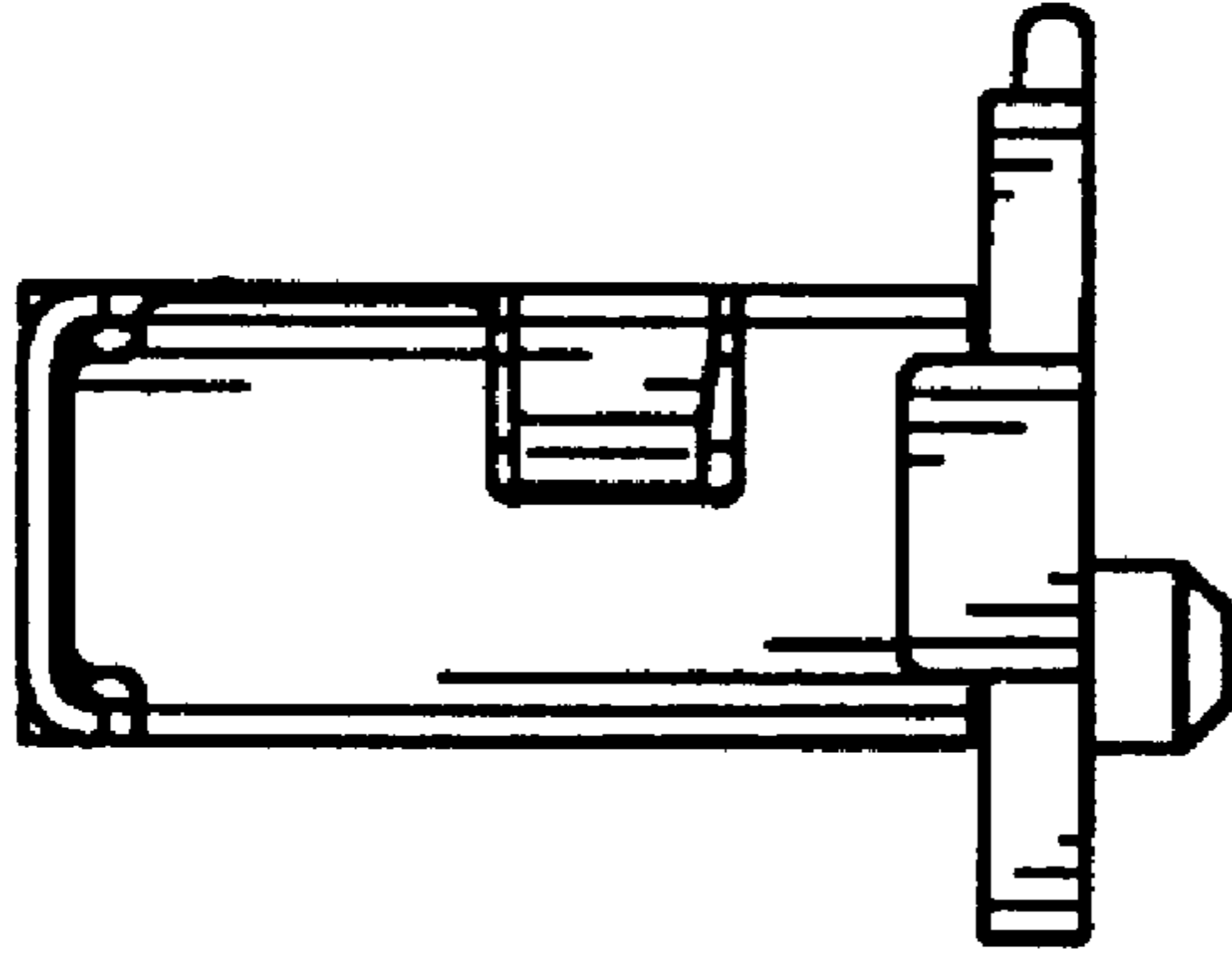


FIG. 5

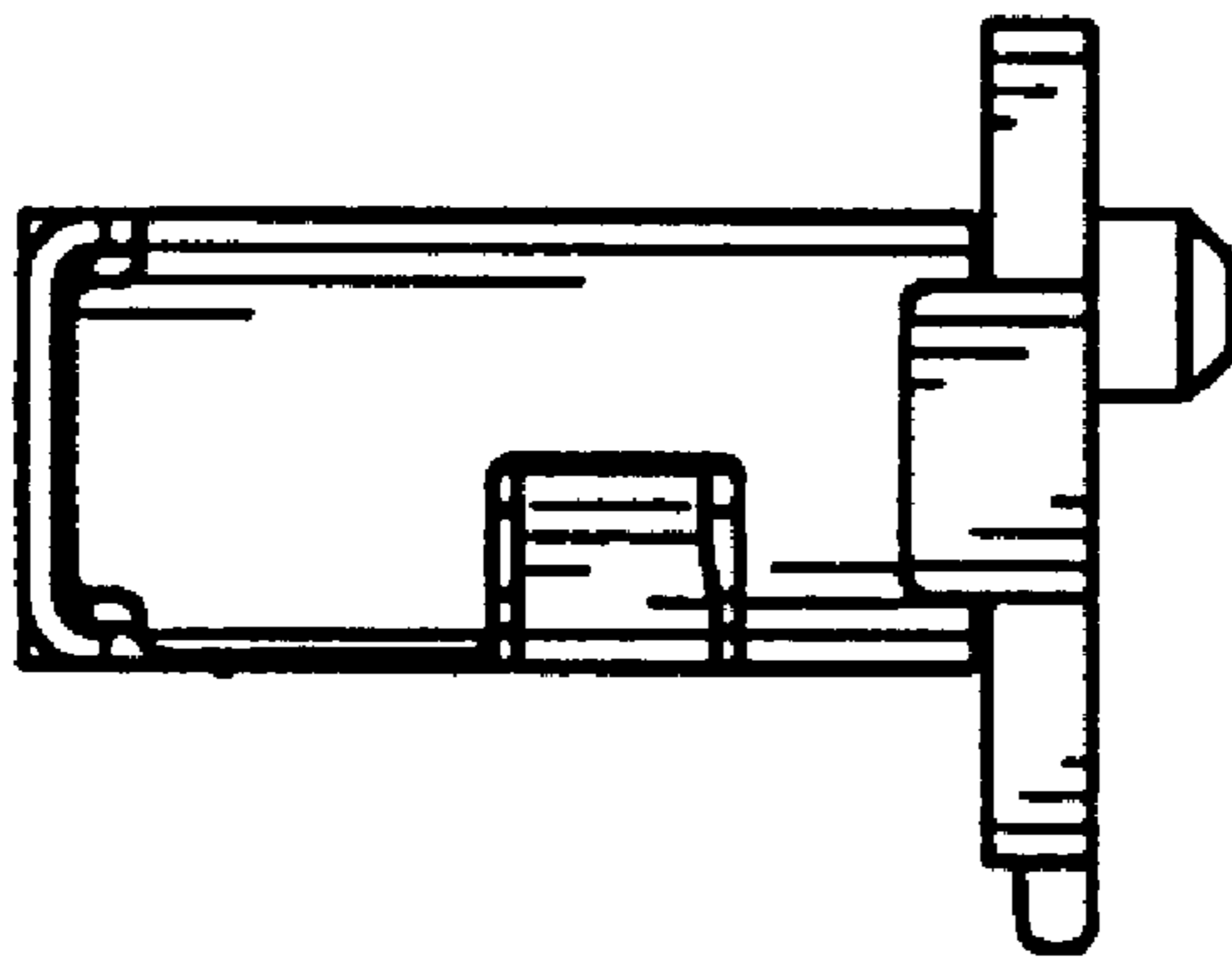


FIG. 4

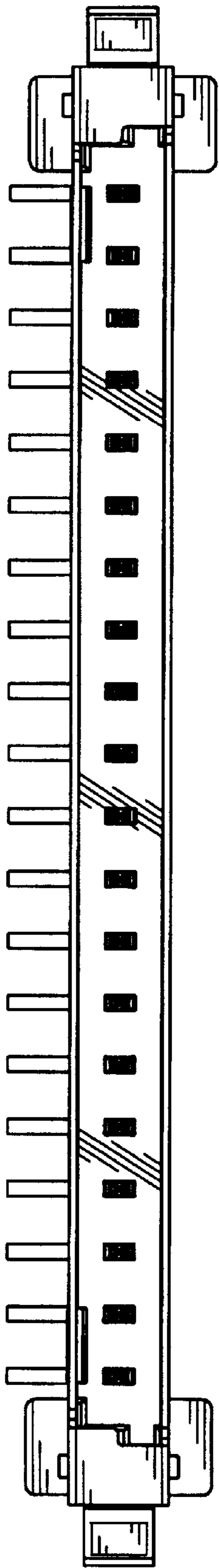


FIG. 6

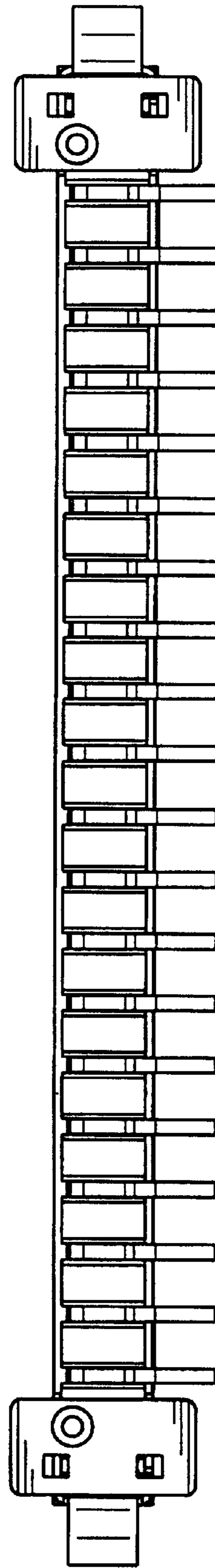


FIG. 7