



US00D442912S

(12) **United States Design Patent**
Krieger

(10) **Patent No.:** **US D442,912 S**

(45) **Date of Patent:** **** May 29, 2001**

(54) **MULTIPURPOSE PORTABLE RECHARGEABLE BATTERY PACK**

5,369,565 * 11/1994 Chen et al. 224/902 X
5,680,026 * 10/1997 Lueschen 224/902 X

(75) Inventor: **Michael Krieger**, Miami Beach, FL (US)

* cited by examiner

Primary Examiner—Joel Sincavage

(73) Assignee: **Vector Manufacturing, Ltd.**, Ft. Lauderdale, FL (US)

(74) *Attorney, Agent, or Firm*—Venable; Robert Kinberg

(**) Term: **14 Years**

(57) **CLAIM**

The ornamental design for a multipurpose portable rechargeable battery pack, as shown and described.

(21) Appl. No.: **29/109,117**

DESCRIPTION

(22) Filed: **Aug. 11, 1999**

(51) **LOC (7) Cl.** **13-02**

(52) **U.S. Cl.** **D13/106**

(58) **Field of Search** D13/103, 106;
429/96-100, 159, 163, 176, 187

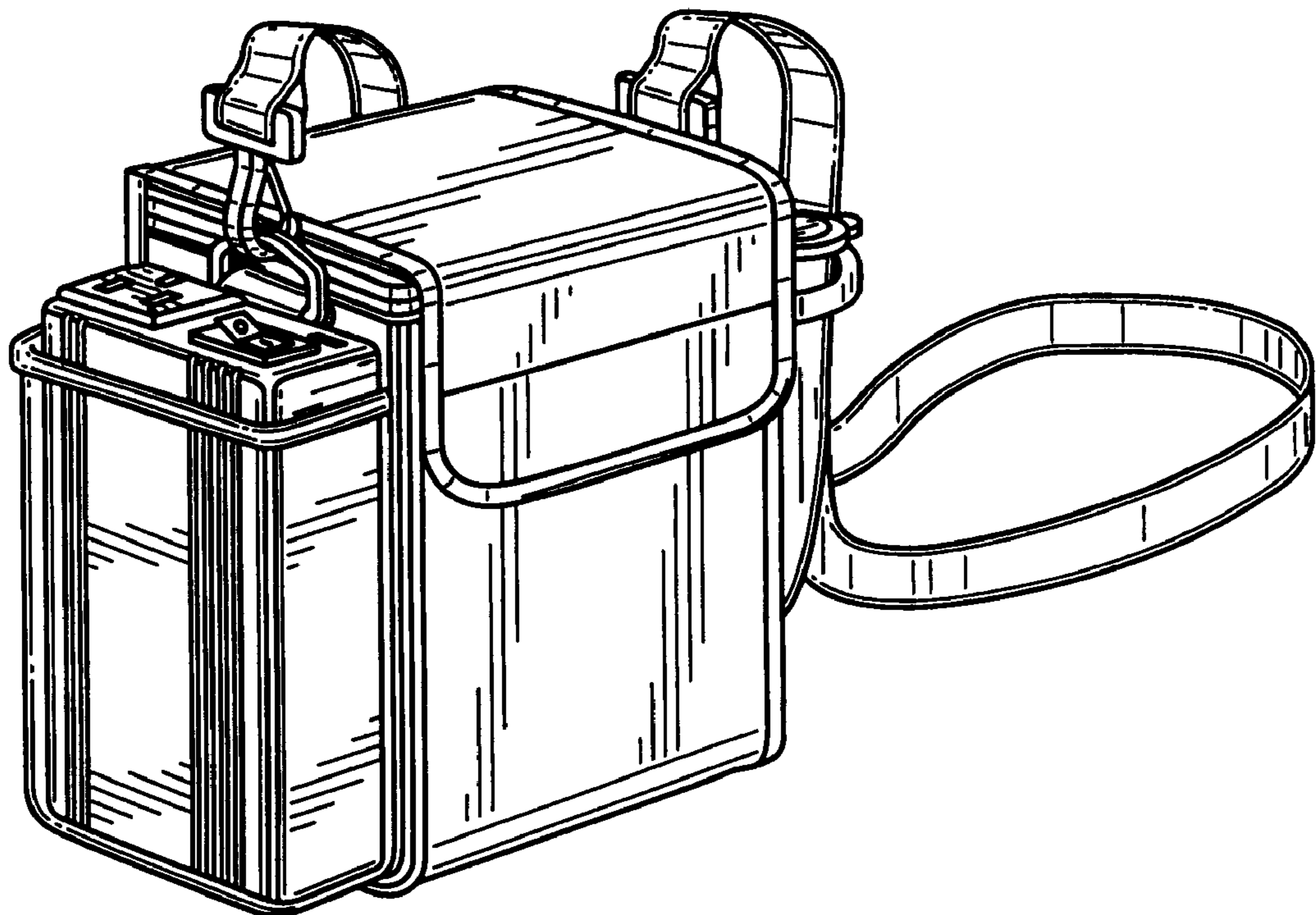
FIG. 1 is a top view of the multipurpose portable rechargeable battery pack according to the present invention; FIG. 2 is a bottom view of the multipurpose portable rechargeable battery pack shown in FIG. 1; FIG. 3 is a front view of the multipurpose portable rechargeable battery pack shown in FIG. 1; FIG. 4 is a back view of the multipurpose portable rechargeable battery pack shown in FIG. 1; FIG. 5 is a right side view of the multipurpose portable rechargeable battery pack shown in FIG. 1; FIG. 6 is a left side view of the multipurpose portable rechargeable battery pack shown in FIG. 1; and, FIG. 7 is a perspective view of the multipurpose portable rechargeable battery pack shown in FIG. 1 with an optional shoulder strap shown attached according to another embodiment of the design.

(56) **References Cited**

U.S. PATENT DOCUMENTS

- D. 159,170 * 6/1950 Stamper D13/103
- D. 186,248 * 9/1959 Parker D13/103
- D. 186,713 * 11/1959 Roth D13/103
- D. 278,386 * 4/1985 Share D3/226
- D. 310,509 * 9/1990 Fushiya et al. D13/103
- D. 360,870 * 8/1995 Huang D13/103
- D. 387,898 * 12/1997 Ronzani D3/215
- D. 399,819 * 10/1998 Iida D13/103
- D. 400,493 * 11/1998 Witkowski, III et al. D13/103
- 5,220,269 * 6/1993 Chen et al. 224/902 X

1 Claim, 4 Drawing Sheets



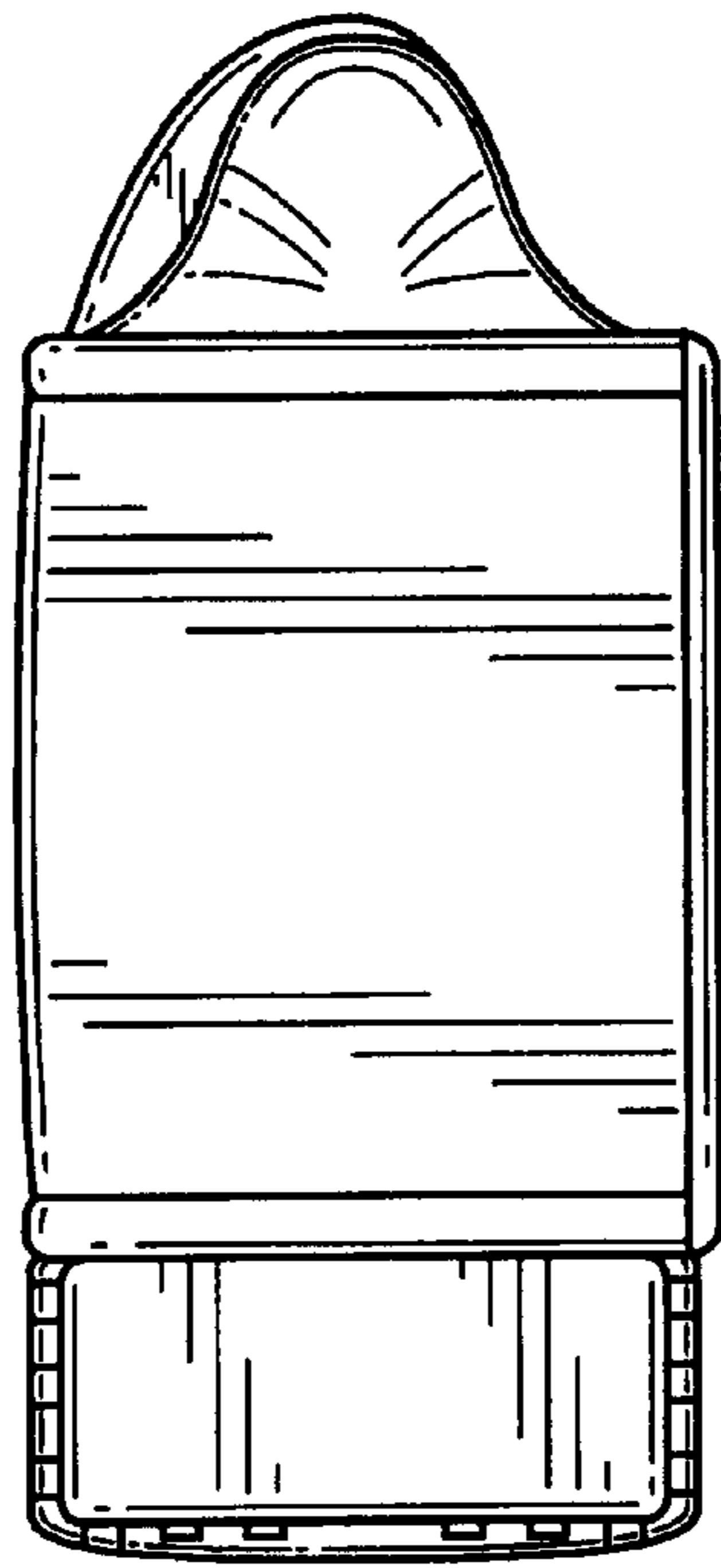


FIG. 2

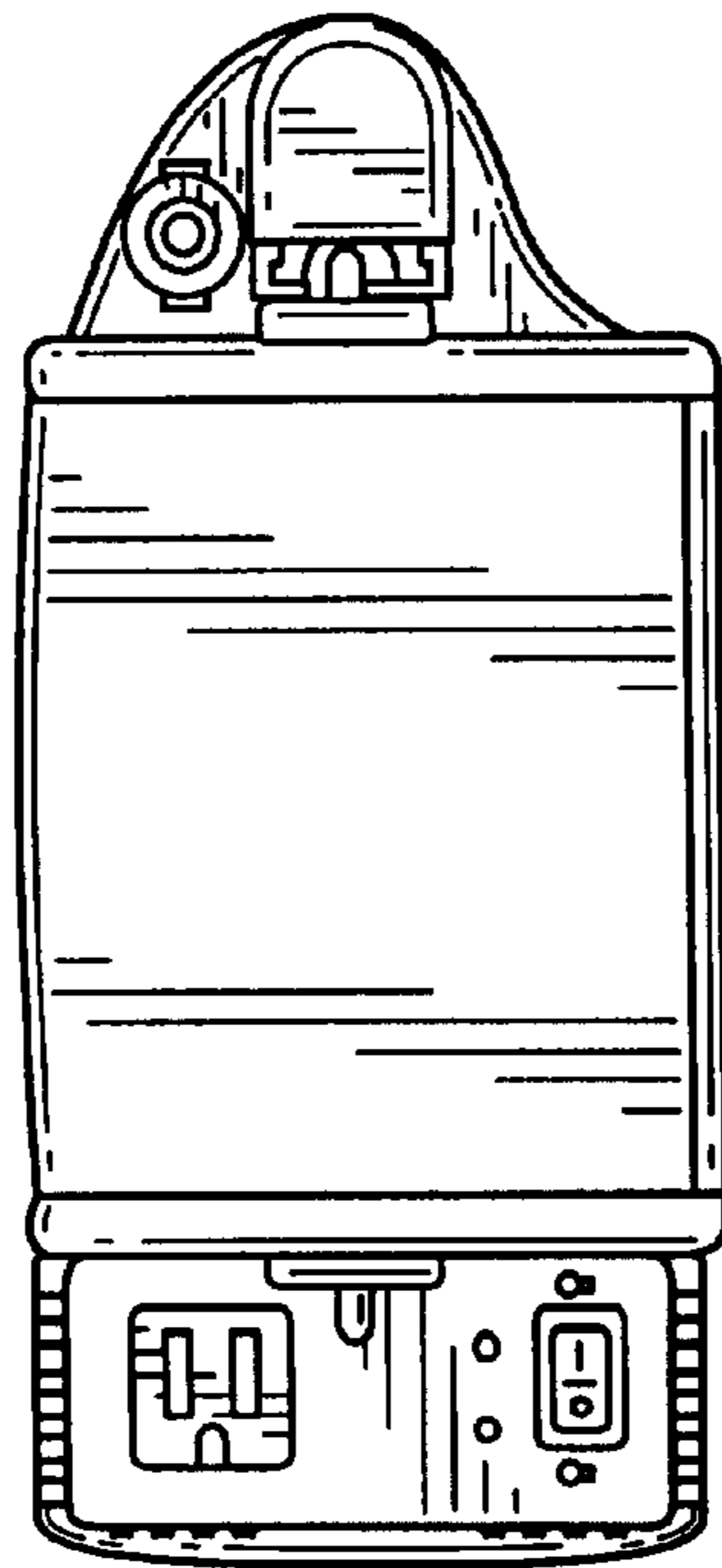


FIG. 1

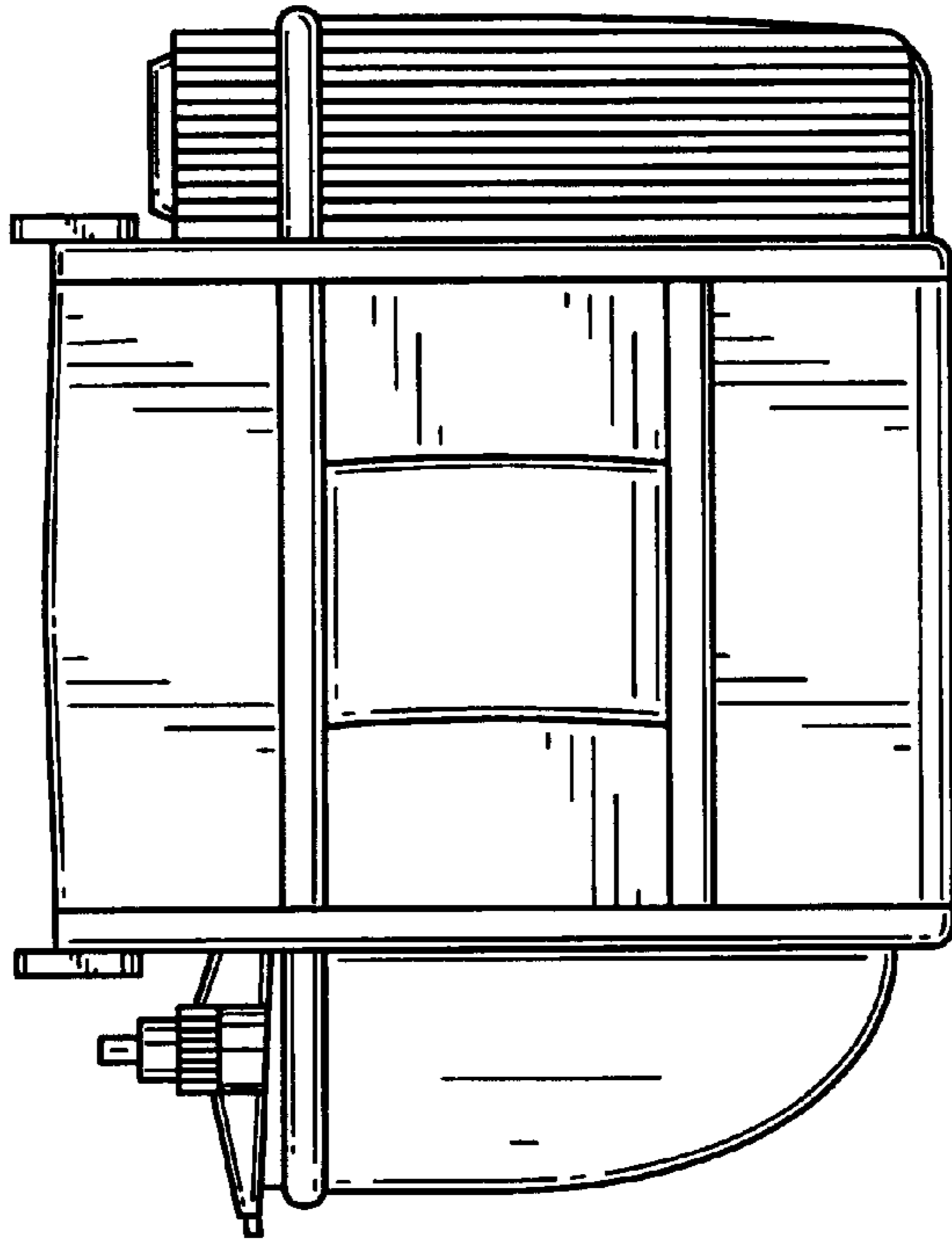


FIG. 4

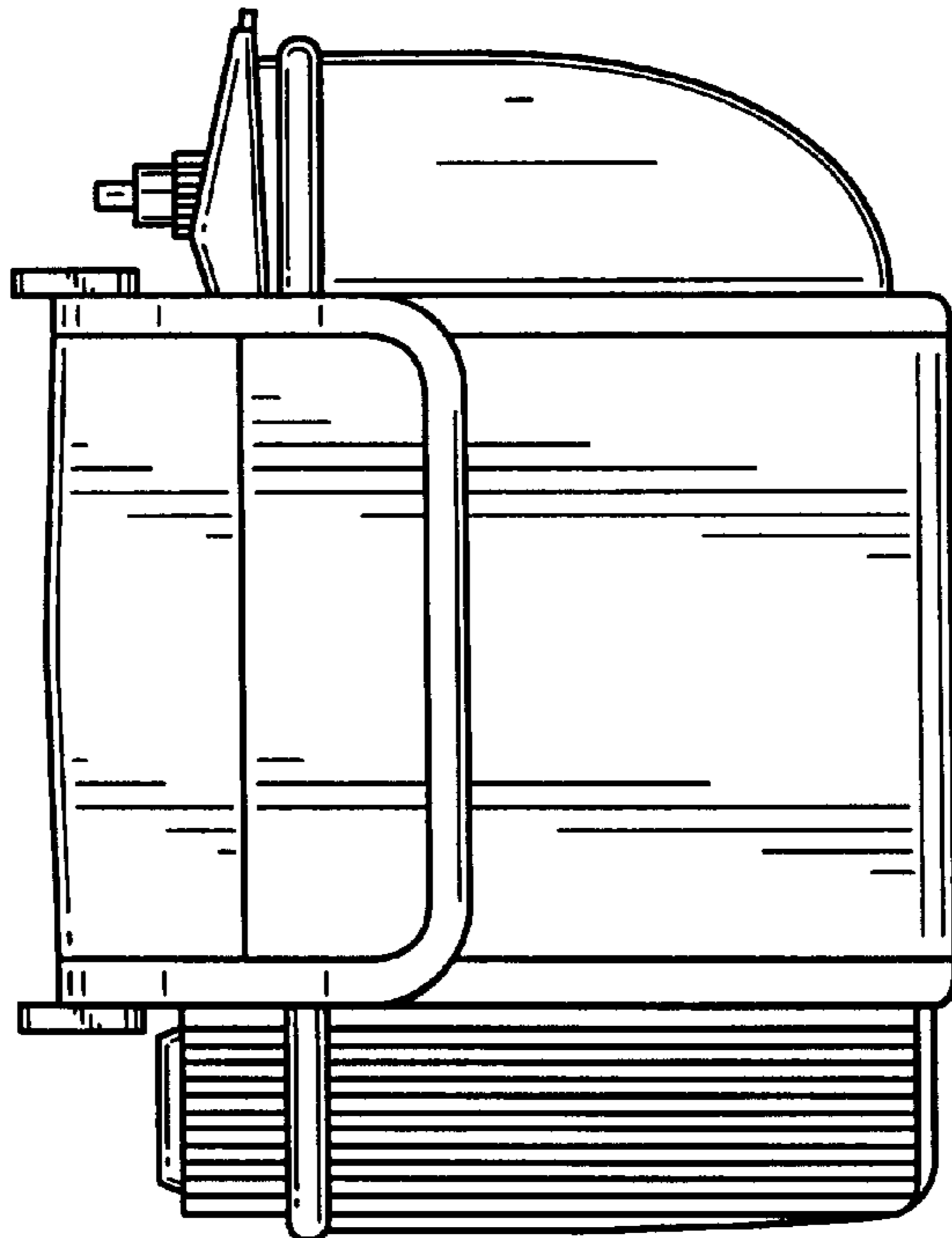


FIG. 3

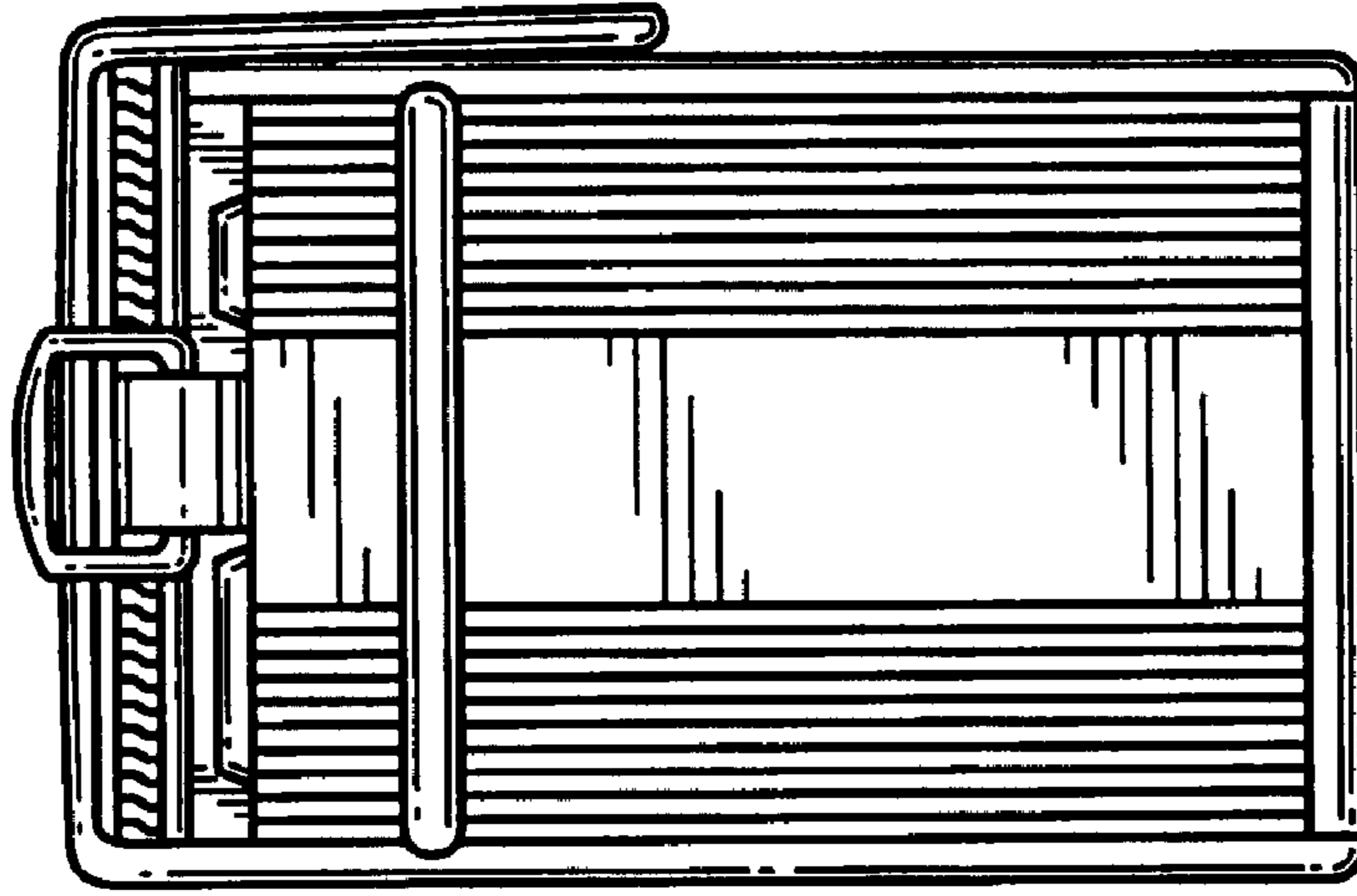


FIG. 6

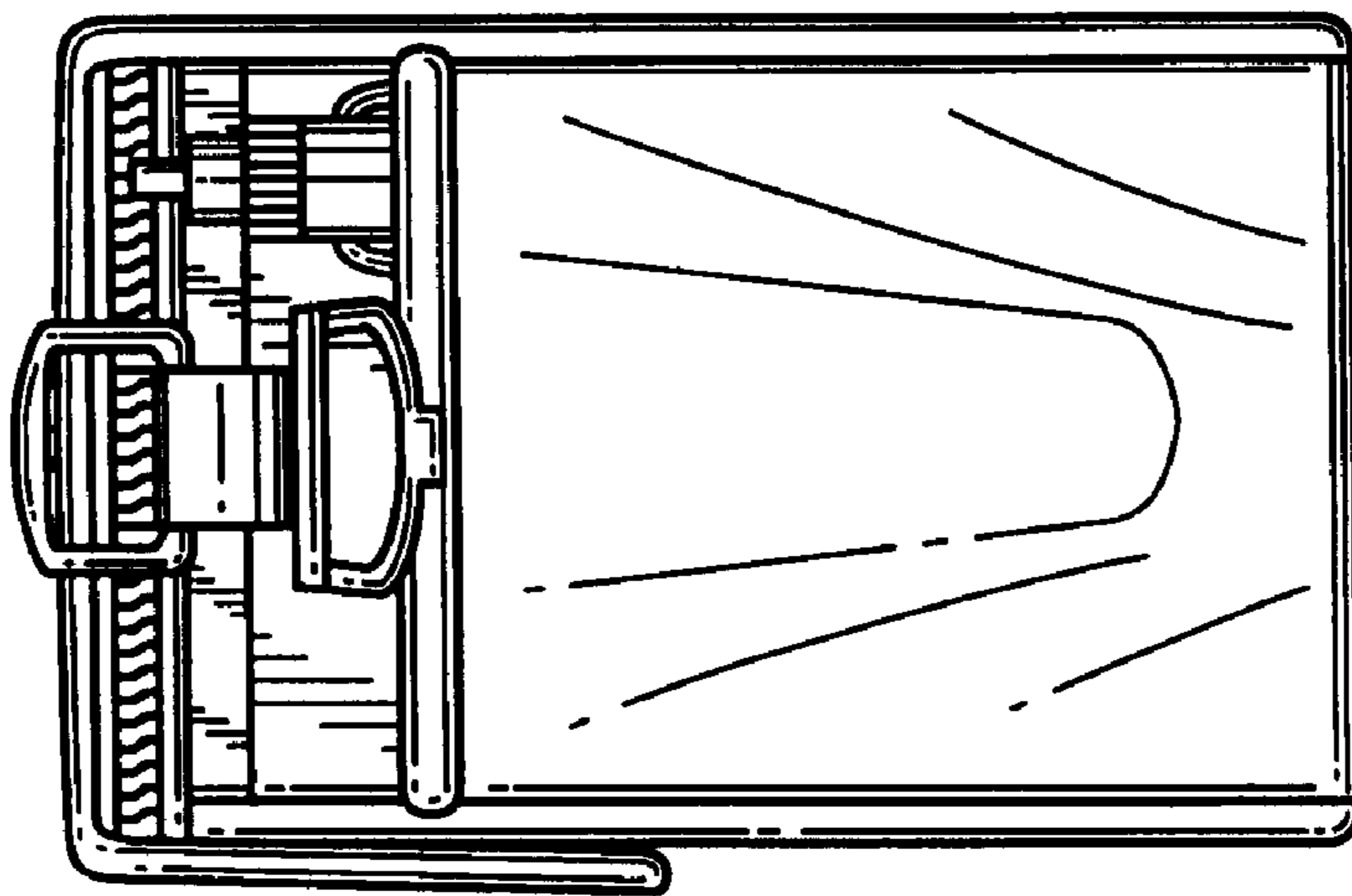


FIG. 5

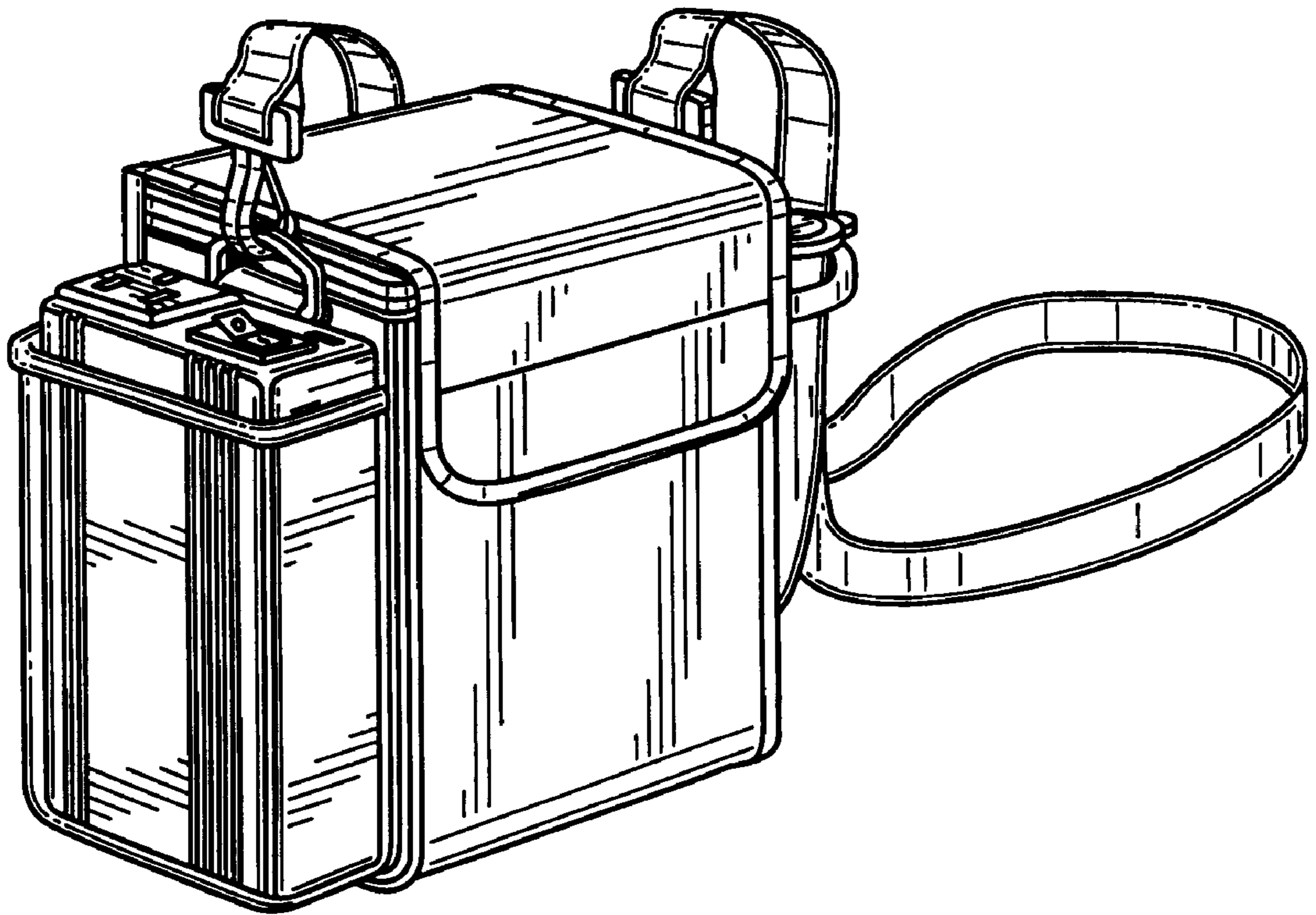


FIG. 7