



US00D442910S

(12) **United States Design Patent**
Metcalf

(10) **Patent No.:** **US D442,910 S**

(45) **Date of Patent:** **** May 29, 2001**

(54) **BOAT TOWER**

5,673,507 * 10/1997 Stokes, Jr. 114/364 X

(76) Inventor: **Robert Metcalf**, 12852 Foothill Blvd.,
Sylmar, CA (US) 91342

* cited by examiner

(**) Term: **14 Years**

Primary Examiner—Kay H. Chin

(74) *Attorney, Agent, or Firm*—James E. Brunton

(21) Appl. No.: **29/124,220**

(57) **CLAIM**

(22) Filed: **May 31, 2000**

The ornamental design for “boat tower”, as shown and described.

(51) **LOC (7) Cl.** **12-06**

DESCRIPTION

(52) **U.S. Cl.** **D12/317**

(58) **Field of Search** D12/300–317;
114/364, 343, 210, 361

FIG. 1 is a front perspective view of a boat tower showing my new design, the broken lines are for illustrative purposes only and form no part of the claimed design;

FIG. 2 is a side elevational view thereof;

FIG. 3 is a front view thereof;

FIG. 4 is a top plan view thereof; and,

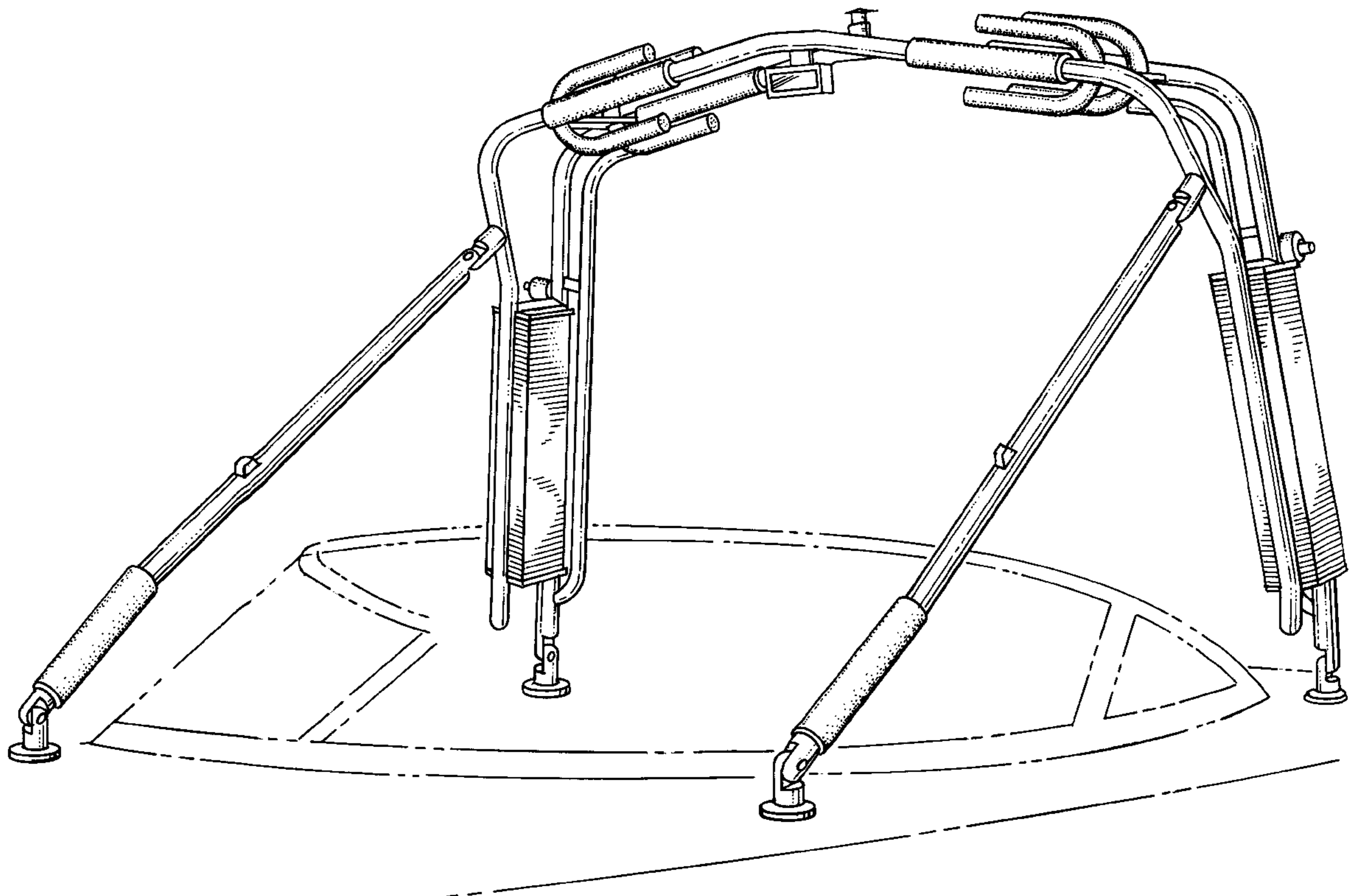
FIG. 5 is a rear view thereof.

(56) **References Cited**

U.S. PATENT DOCUMENTS

- D. 409,972 * 5/1999 Todd D12/318
- 2,505,520 * 4/1950 Bills 114/343
- 5,669,325 * 9/1997 Feikema 114/343

1 Claim, 5 Drawing Sheets



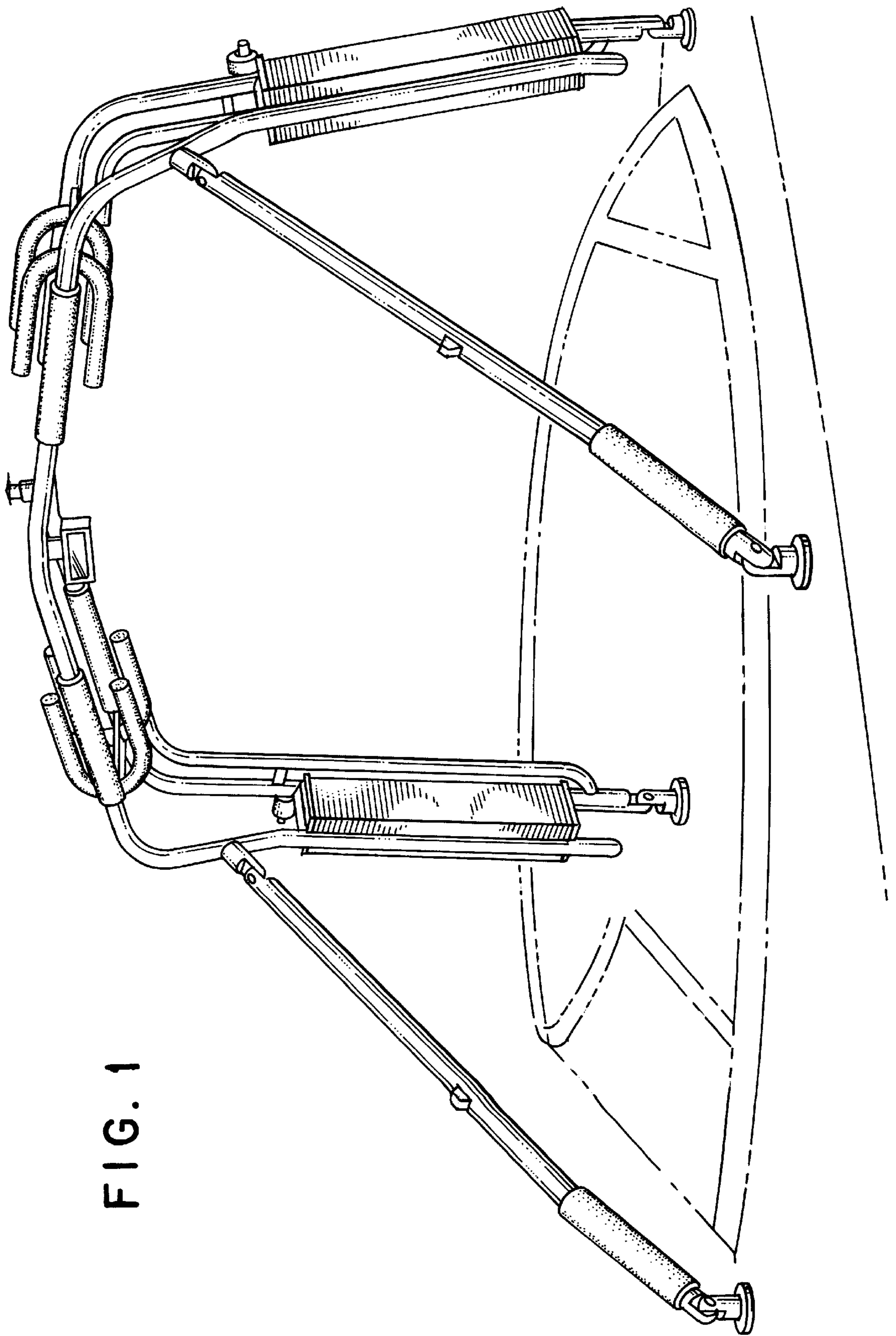


FIG. 1

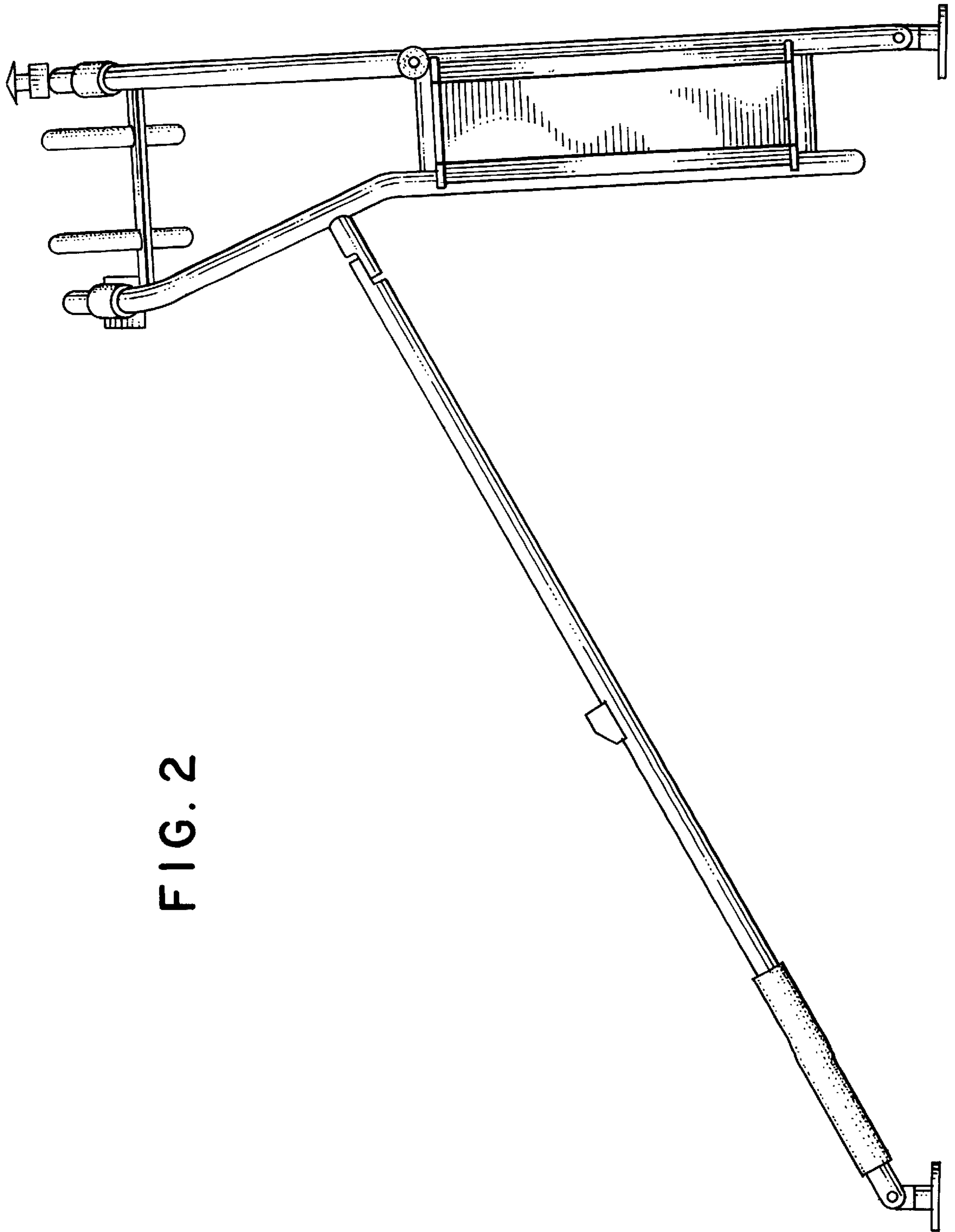


FIG. 2

FIG. 3

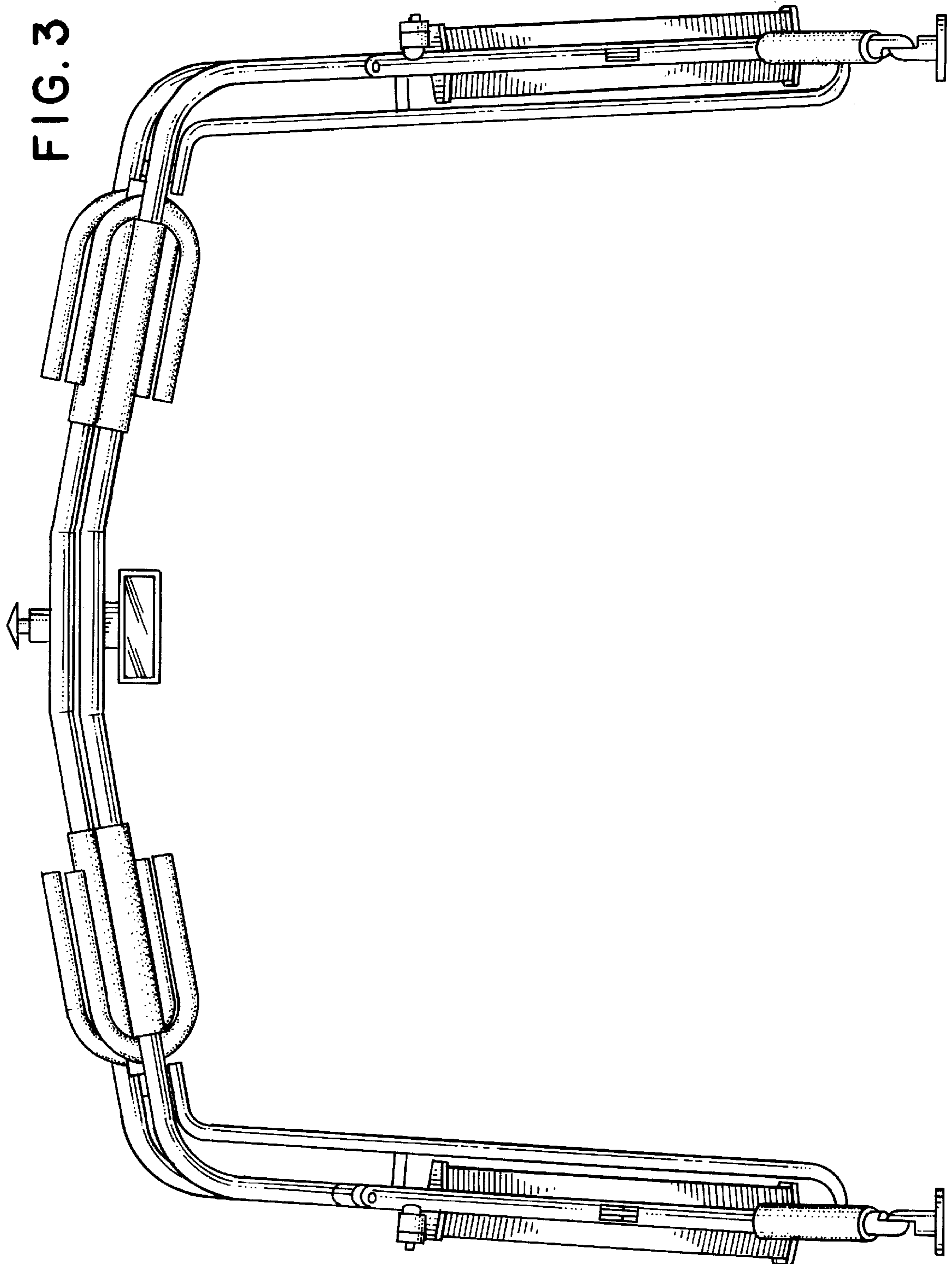


FIG. 4

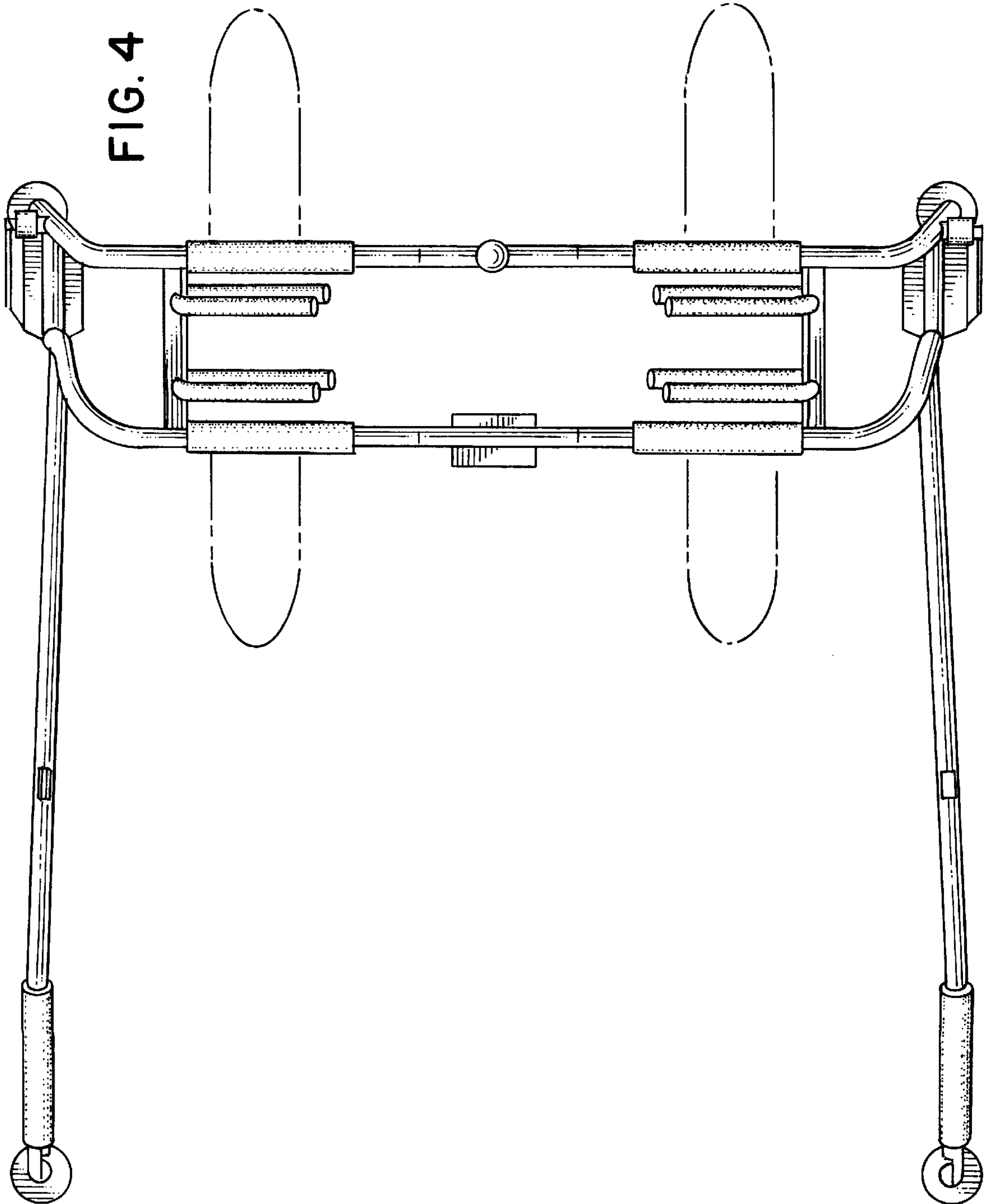


FIG. 5

