



US00D442908S

(12) **United States Design Patent**
Nickel

(10) **Patent No.:** **US D442,908 S**

(45) **Date of Patent:** **** May 29, 2001**

(54) **V8-V6 TRUCK BRACKET**

(76) **Inventor:** **Carl N. Nickel**, 832 E. US Hwy. 52,
Lot 27, Rushville, IN (US) 46173

(**) **Term:** **14 Years**

(21) **Appl. No.:** **29/127,476**

(22) **Filed:** **Aug. 7, 2000**

(51) **LOC (7) Cl.** **12-06**

(52) **U.S. Cl.** **D12/223**

(58) **Field of Search** D12/223, 114;
180/219, 312; D8/354, 349; 248/300, 200

(56) **References Cited**

U.S. PATENT DOCUMENTS

D. 181,417	11/1957	Lane	26/5 D
D. 243,714	3/1977	Younger	15/5 D
D. 267,471	1/1983	Mundorf	8/354 D
D. 330,154	10/1992	Wagner	8/354 D
D. 332,951	2/1993	Seats	15/5 D
D. 376,751	* 12/1996	Hanson et al.	D12/223 X
D. 386,131	* 11/1997	Gogan et al.	D12/223
D. 394,632	* 5/1998	Miller	D12/223
D. 429,208	* 8/2000	McCoy et al.	D12/223
2,875,746	3/1959	Brice et al.	123/195
2,909,074	10/1959	Scheiterlein	74/242.16

3,153,388	10/1964	Cheely	103/218
3,888,226	6/1975	Wallace	123/195 A
4,633,828	1/1987	Steele	123/195 A
4,697,782	10/1987	Ban	248/639
4,793,300	12/1988	Kadoshima et al.	123/195 A
5,125,376	6/1992	Williams et al.	123/195 A
5,203,293	4/1993	Shintani et al.	123/195 A
5,876,013	3/1999	Ott	248/674
5,938,169	8/1999	Ogawa et al.	248/674
5,944,298	8/1999	Kolke	248/674

* cited by examiner

Primary Examiner—Melody N. Brown

(74) *Attorney, Agent, or Firm*—Richard L. Miller, P. E.

(57) **CLAIM**

The ornamental design for a V8-V6 truck bracket, as shown and described.

DESCRIPTION

FIG. 1 is a rear elevational view showing my new design for a V8-V6 truck bracket;

FIG. 2 is a front elevational view thereof;

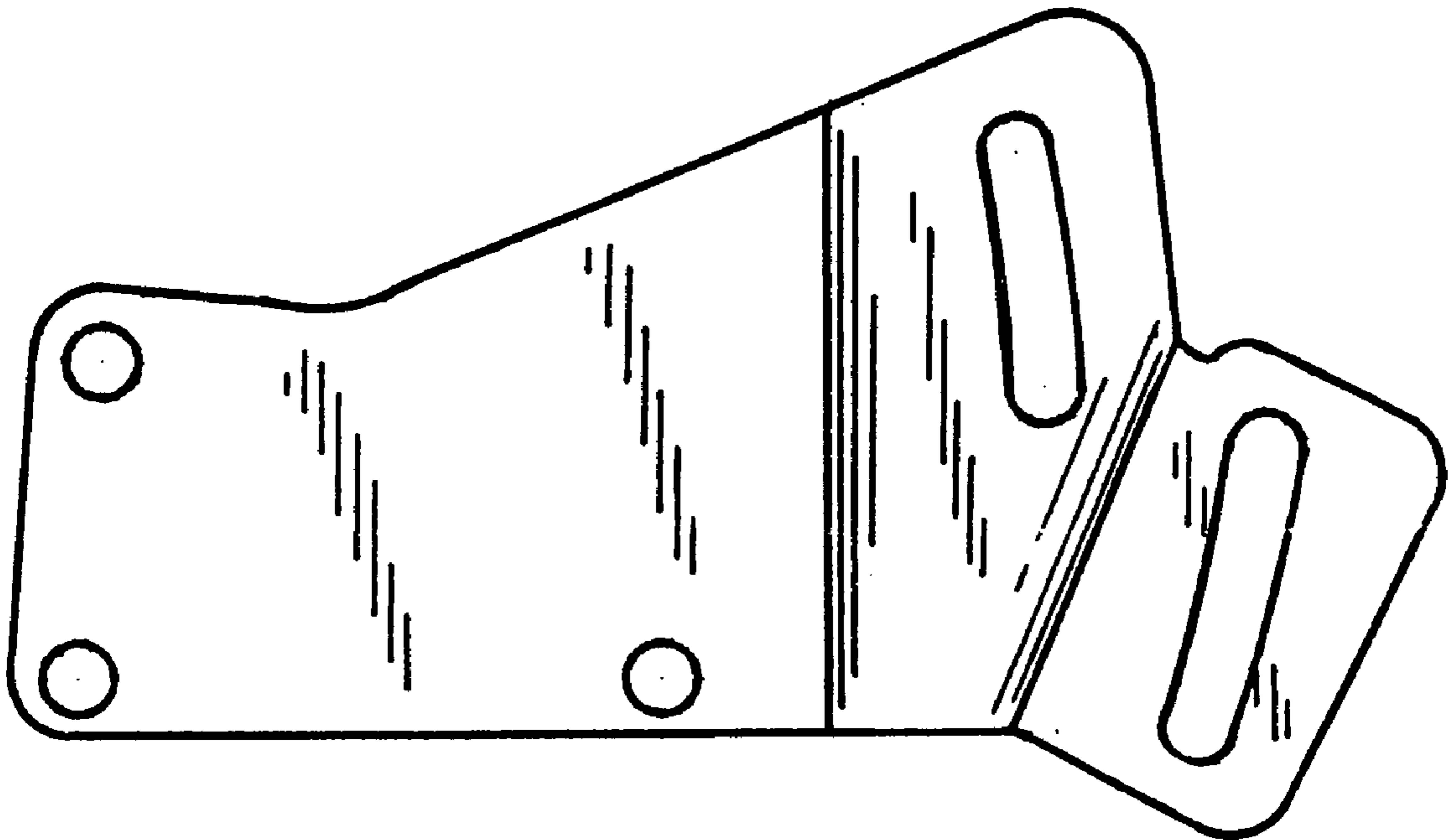
FIG. 3 is a top elevational view thereof;

FIG. 4 is a bottom elevational view thereof;

FIG. 5 is a right elevational view thereof; and,

FIG. 6 is a left elevational view thereof.

1 Claim, 1 Drawing Sheet



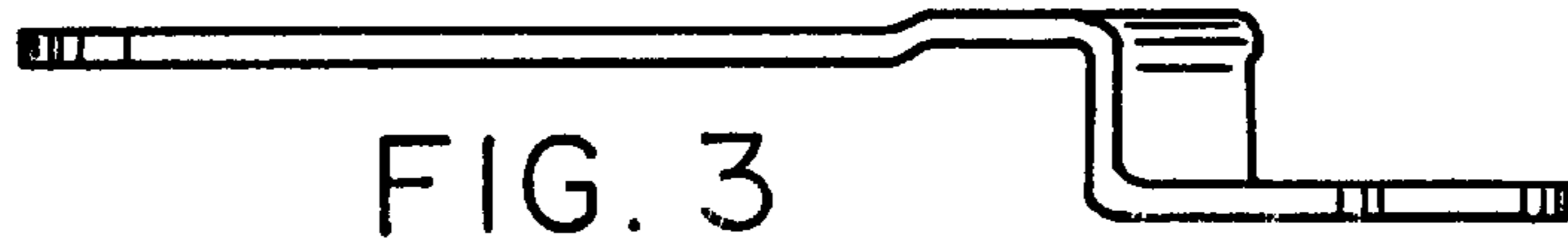


FIG. 3

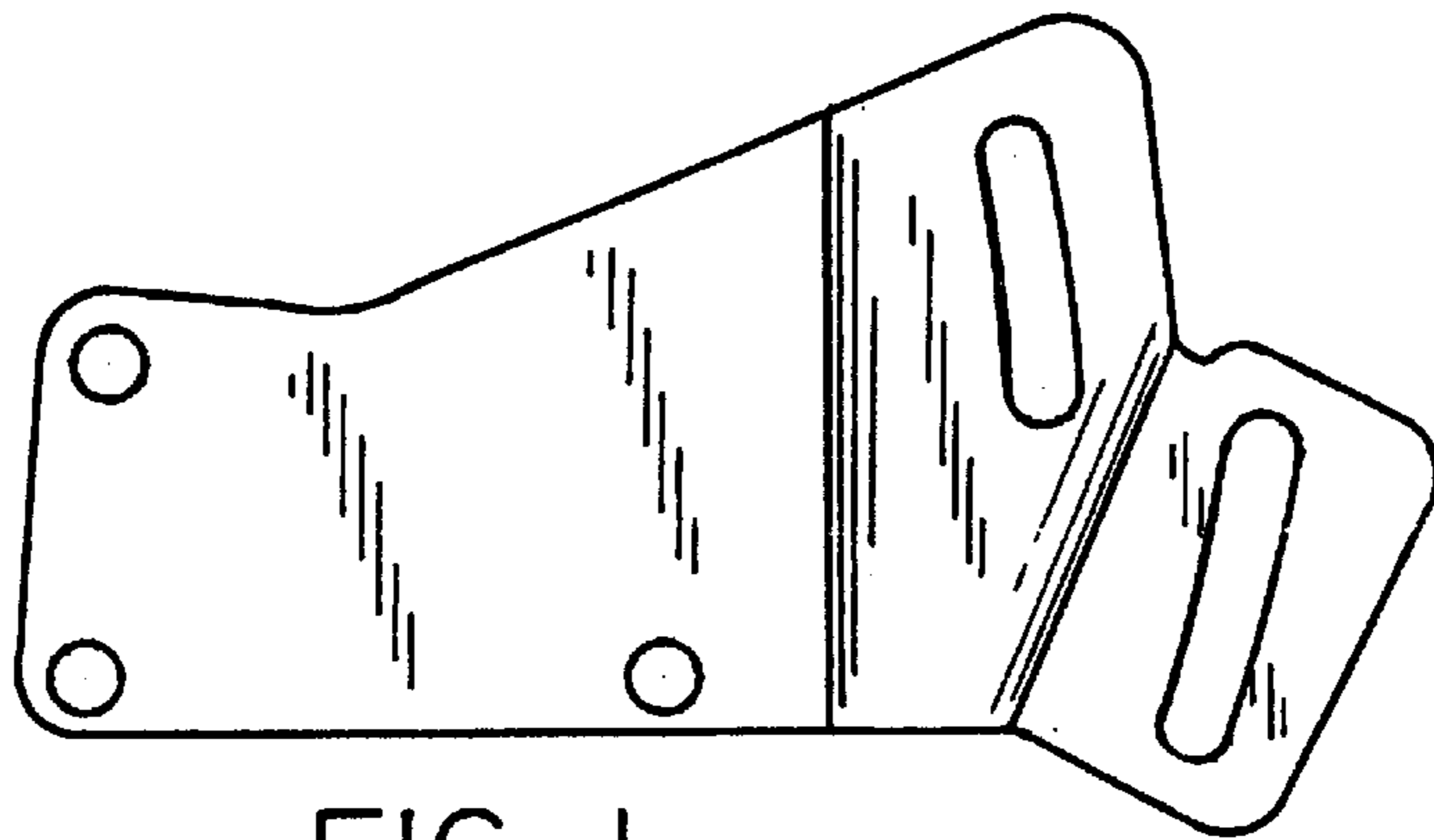


FIG. 1

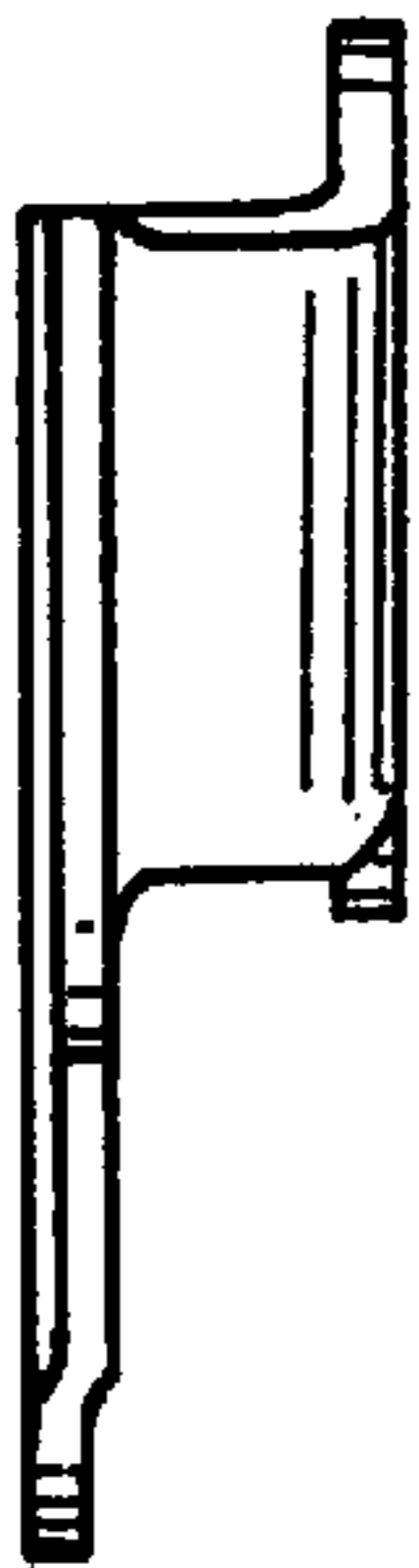


FIG. 5

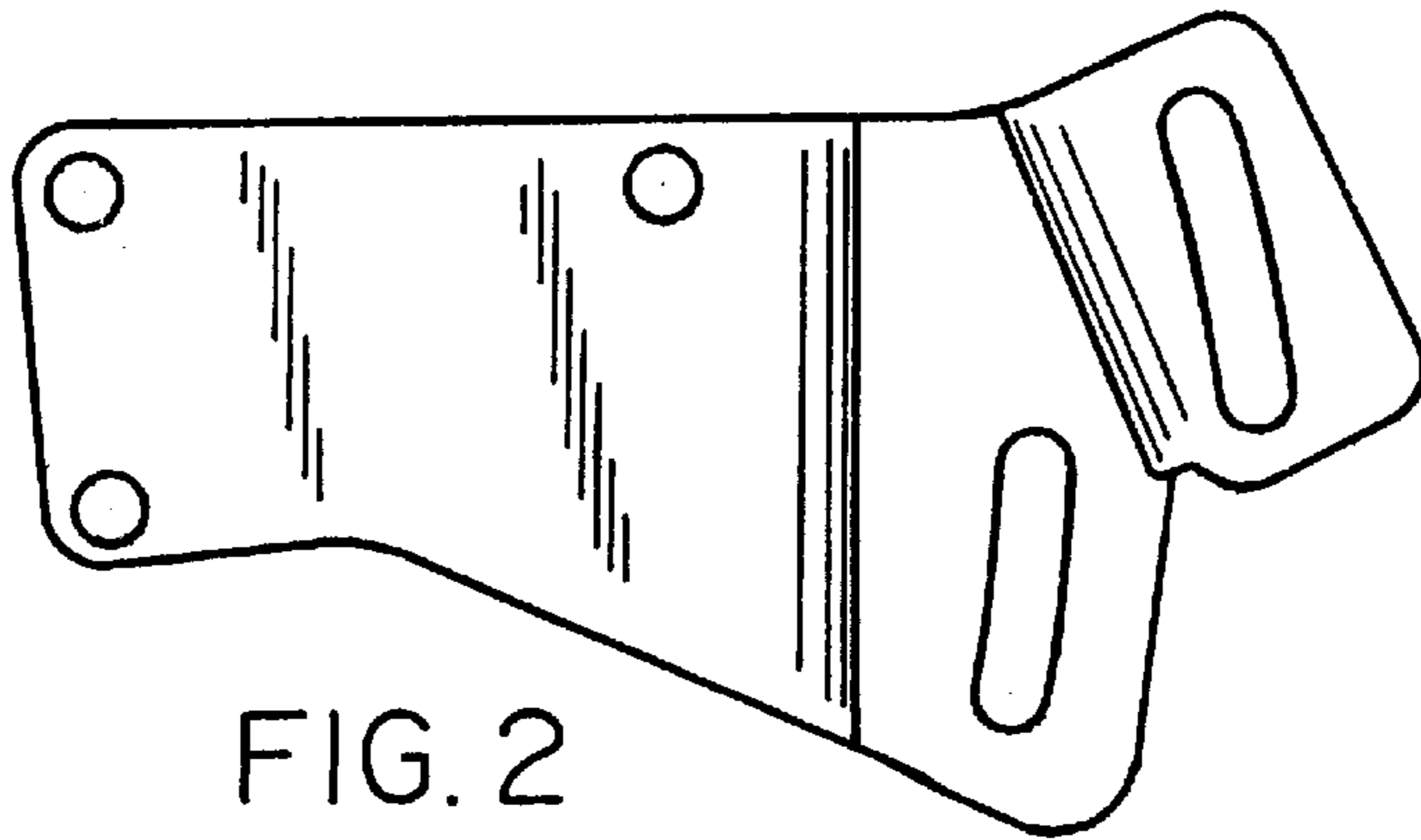


FIG. 2

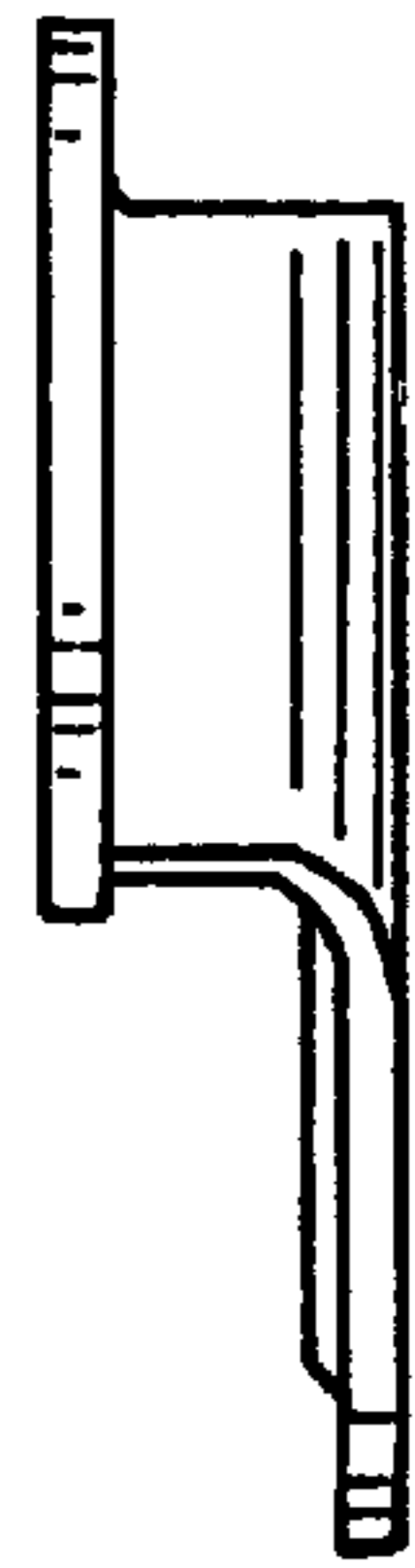


FIG. 6



FIG. 4