



US00D442907S

(12) **United States Design Patent**
Santelman

(10) **Patent No.:** **US D442,907 S**

(45) **Date of Patent:** **** May 29, 2001**

- (54) **AUTOMOBILE DOOR STRIKER**
- (75) Inventor: **Steven C. Santelman**, Pleasant Plain, OH (US)
- (73) Assignee: **Art Technologies, Inc.**, Hamilton, OH (US)
- (**) Term: **14 Years**
- (21) Appl. No.: **29/119,452**
- (22) Filed: **Mar. 1, 2000**
- (51) **LOC (7) Cl.** **12-06**
- (52) **U.S. Cl.** **D12/223**
- (58) **Field of Search** D12/223, 167;
292/216, 340, 341.11, 341.12, DIG. 53;
228/173.6, 164

- 4,703,960 11/1987 Lense .
- 4,941,696 7/1990 Yamada et al. .
- 4,981,313 1/1991 Makamura .
- 4,998,759 3/1991 Peterson et al. .
- 5,050,917 9/1991 Hamada et al. .
- 5,125,698 6/1992 Thau .
- 5,163,723 11/1992 Rückert .
- 5,263,752 11/1993 Phail-Fausey et al. .
- 5,382,062 1/1995 Köstler .
- 5,494,208 2/1996 Granger .
- 5,501,495 3/1996 Claucherty .
- 5,632,517 5/1997 Paulik et al. .
- 5,649,726 7/1997 Rogers, Jr. et al. .

Primary Examiner—Melody N. Brown
(74) *Attorney, Agent, or Firm*—Wood, Herron & Evans, L.L.P.

(57) **CLAIM**

The ornamental design for an automobile door striker, as shown and described.

(56) **References Cited**

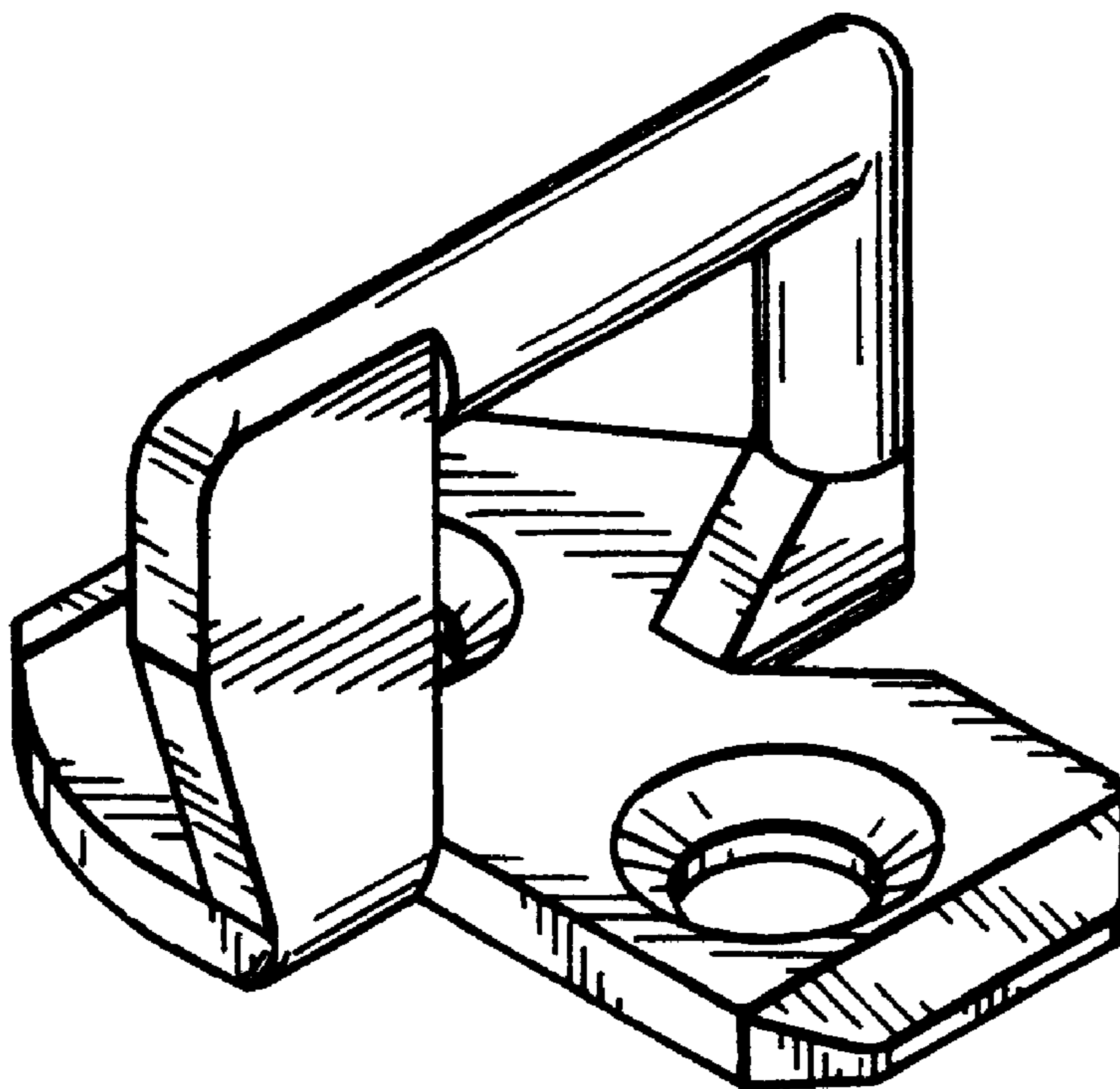
U.S. PATENT DOCUMENTS

- 1,472,512 10/1923 Carlson .
- 1,690,408 11/1928 Hasenflue .
- 2,723,151 11/1955 Seyforth .
- 2,789,023 4/1957 Johnson .
- 2,859,430 11/1958 O'Callaghan .
- 3,431,000 3/1969 Choiniere .
- 3,599,743 8/1971 Hull .
- 3,785,186 1/1974 James et al. .
- 3,985,381 10/1976 Kobayashi .
- 4,331,356 5/1982 Noel .
- 4,650,231 3/1987 Shimura et al. .

DESCRIPTION

FIG. 1 is a front perspective view of my new, original and ornamental design for an automobile door striker; FIG. 2 is a top elevational view thereof; FIG. 3 is a front elevational view thereof; FIG. 4 is a left side elevational view thereof; FIG. 5 is a right side elevational view thereof; FIG. 6 is a rear elevational view thereof; and, FIG. 7 is a bottom elevational view thereof.

1 Claim, 2 Drawing Sheets



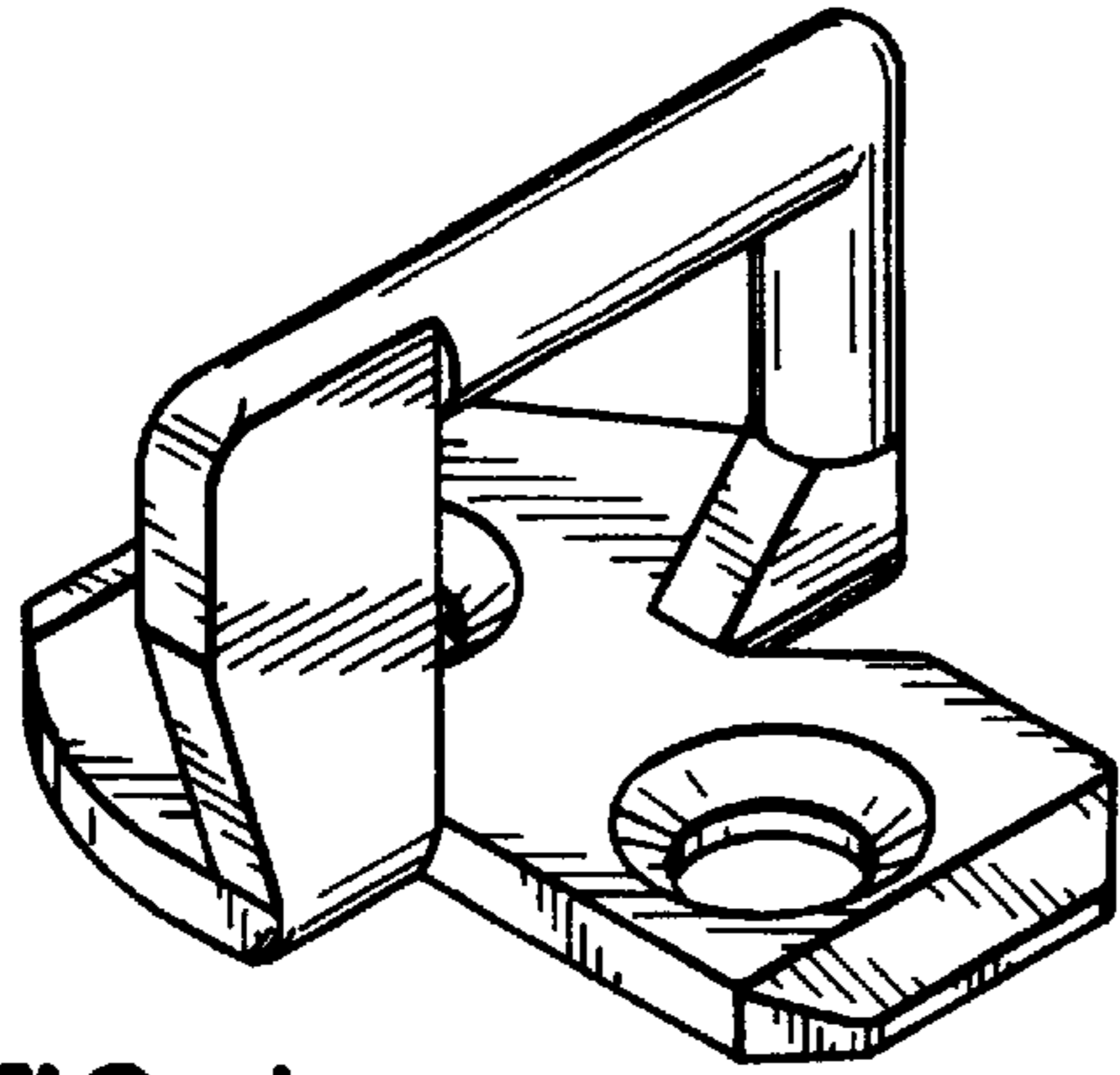


FIG. 1

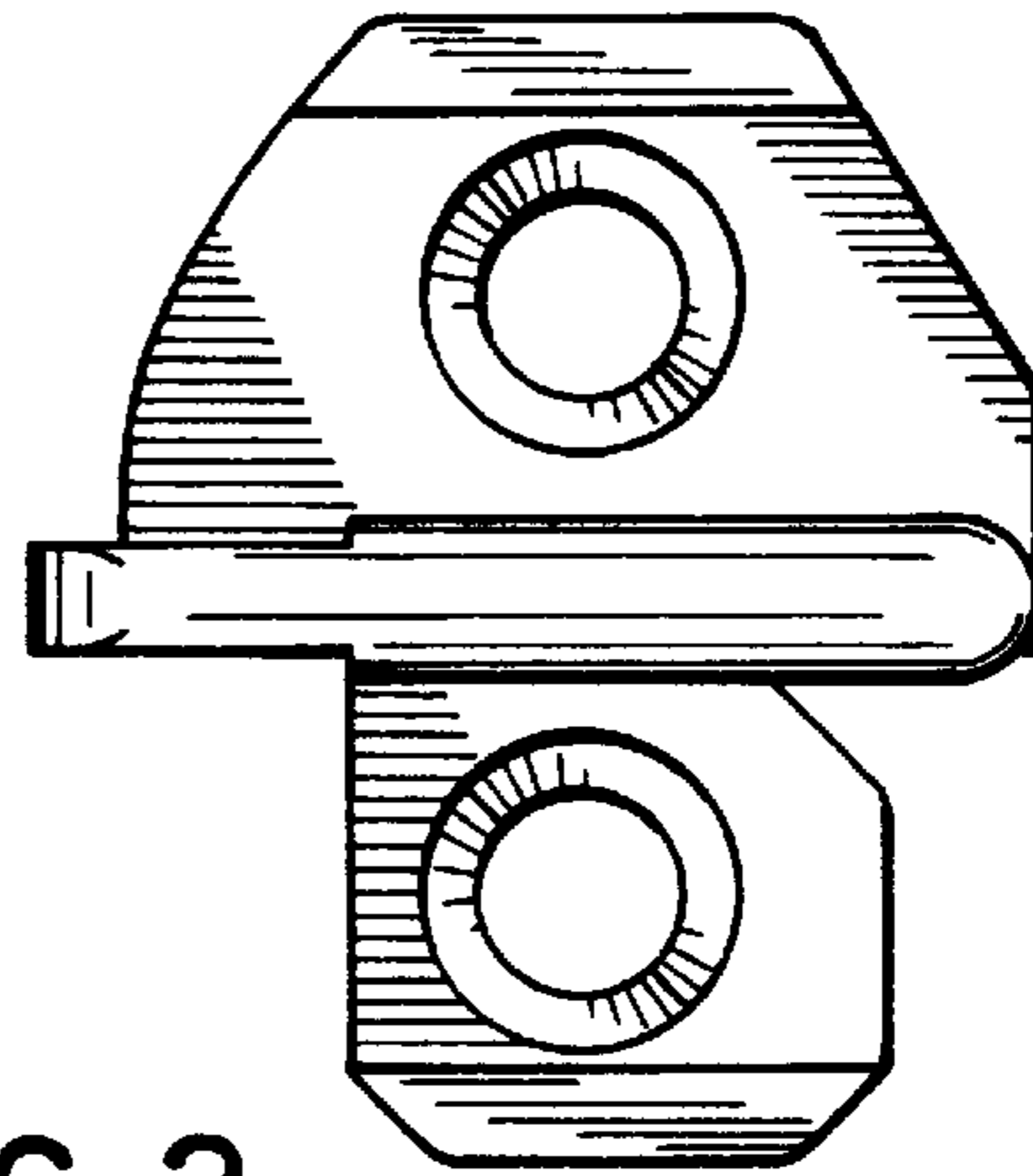


FIG. 2

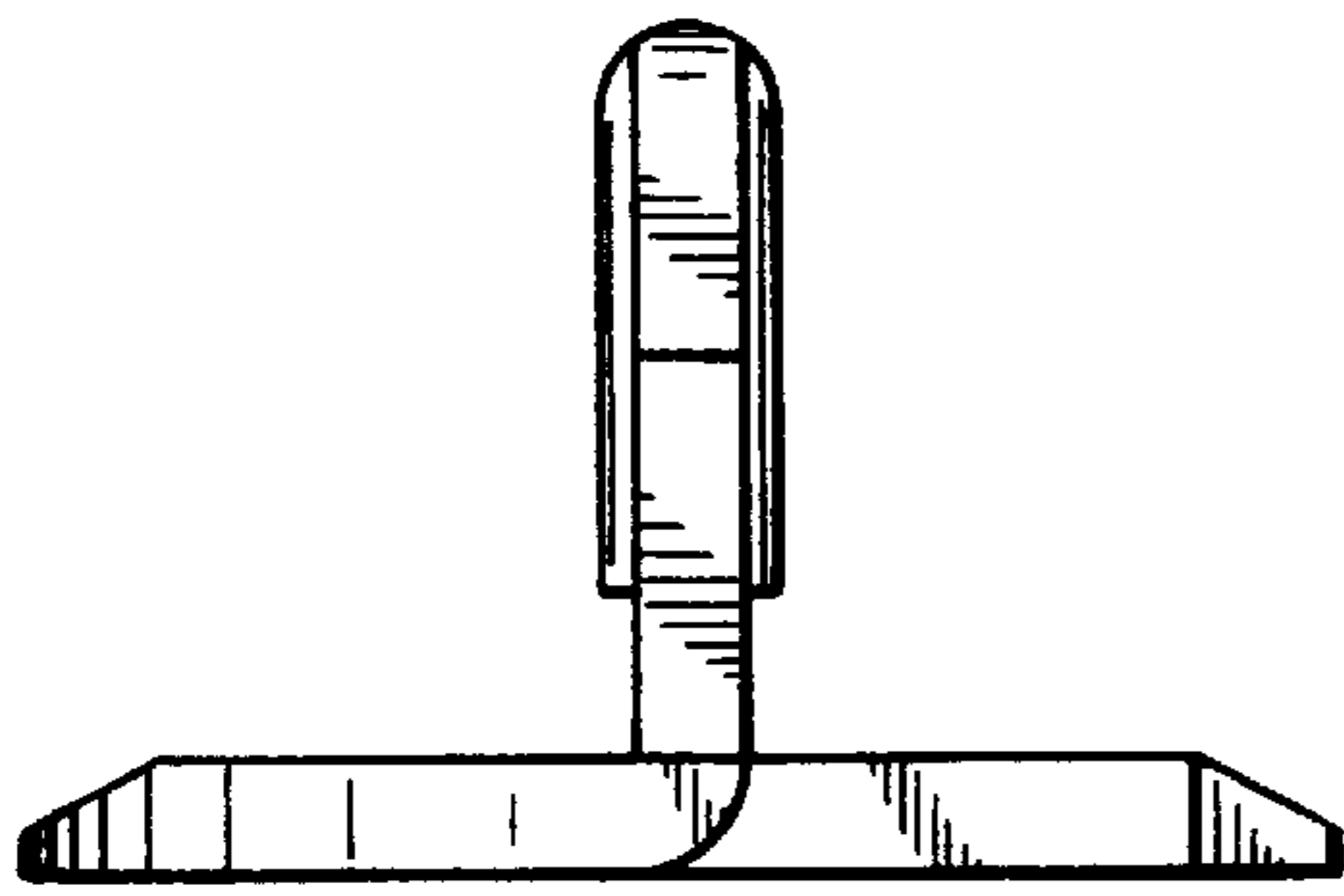


FIG. 3

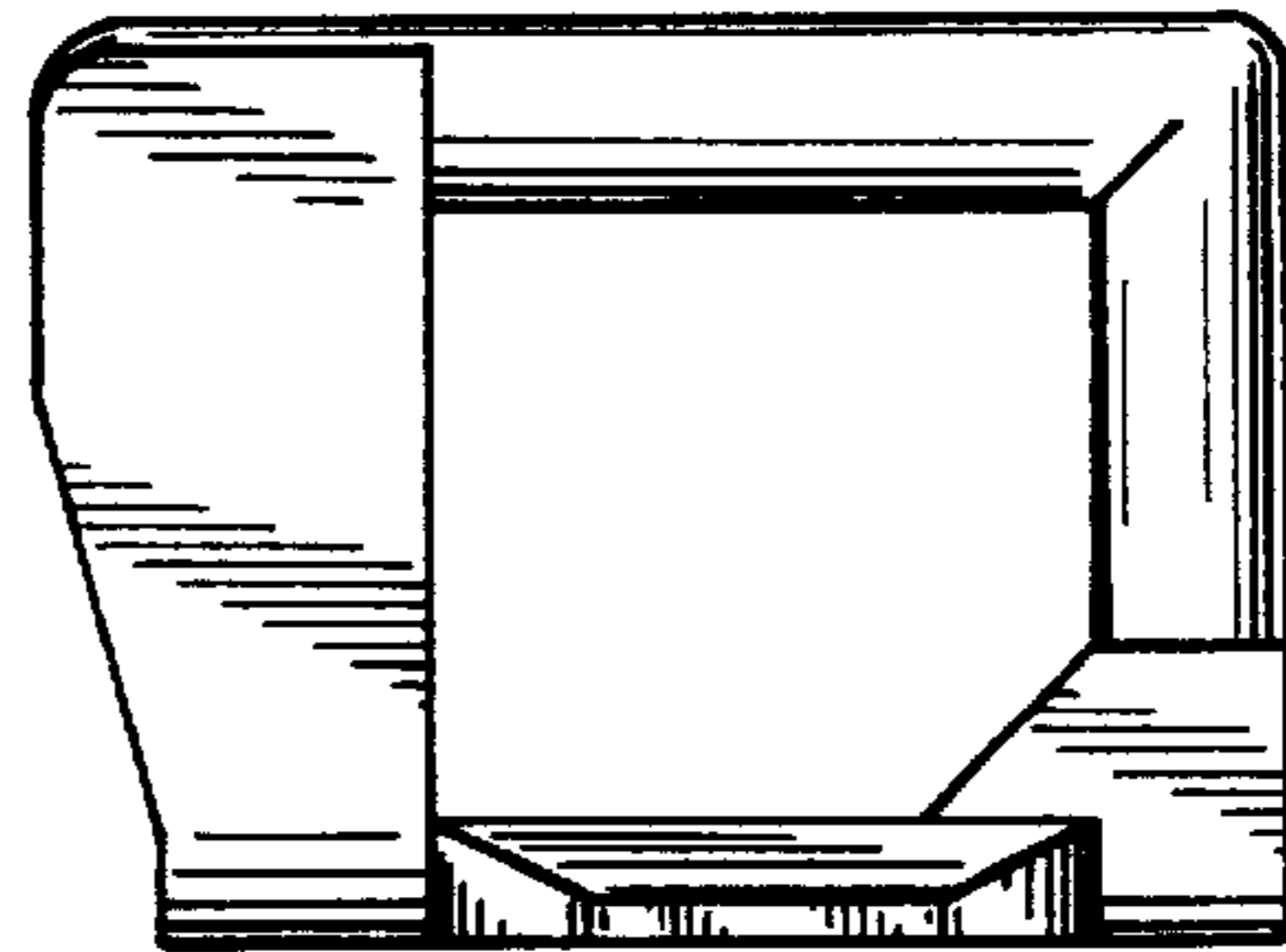


FIG. 4

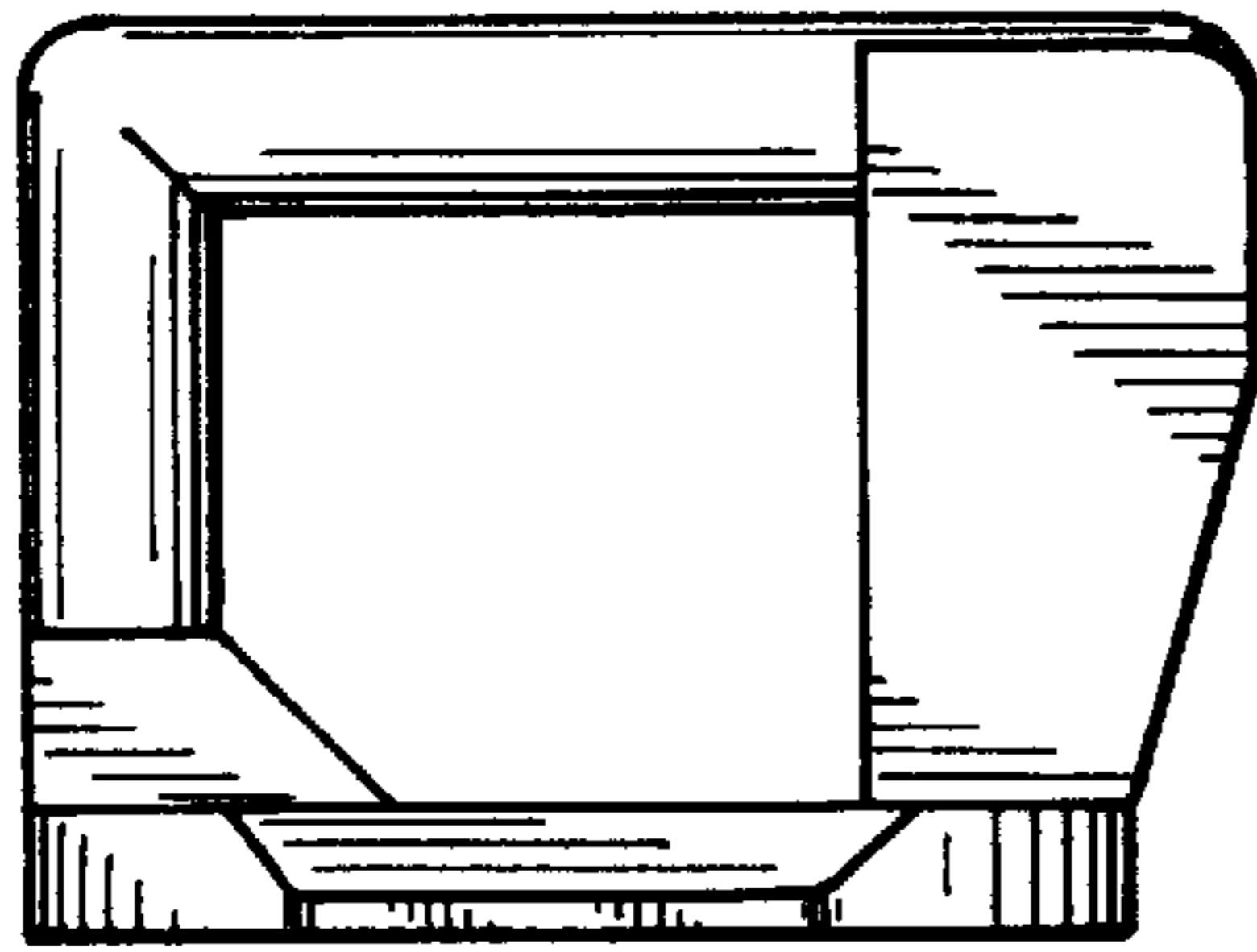


FIG. 5

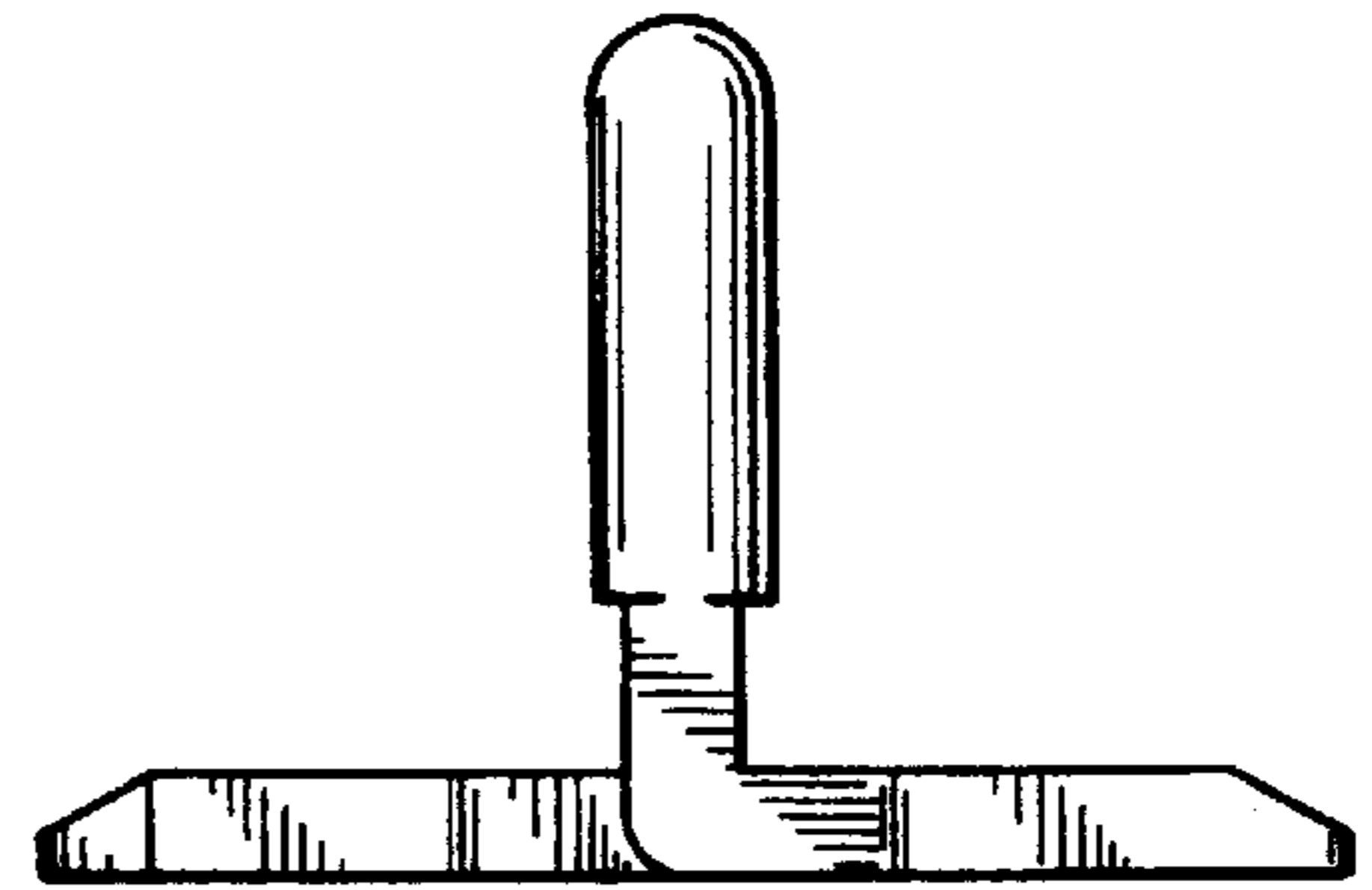


FIG. 6

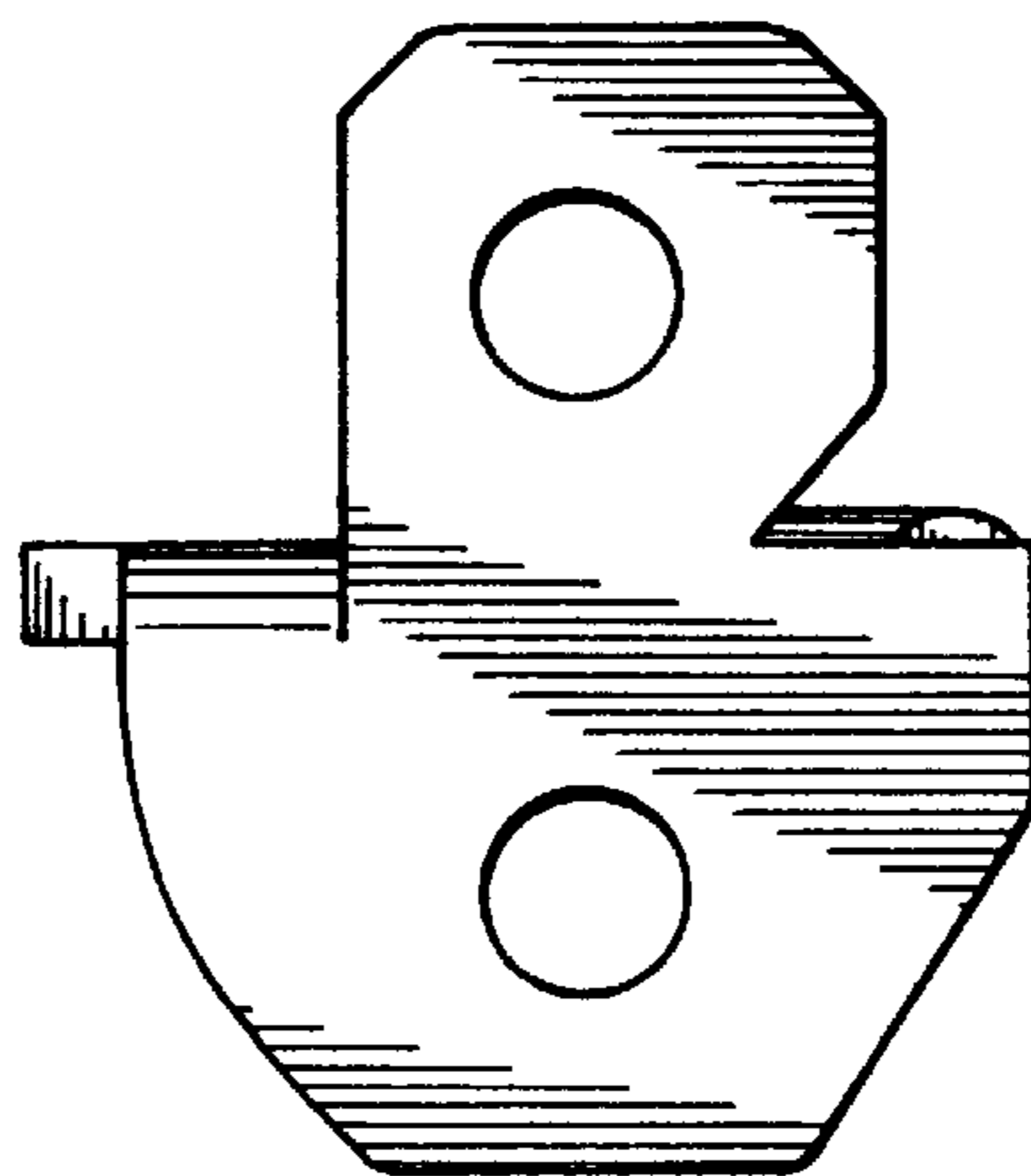


FIG. 7

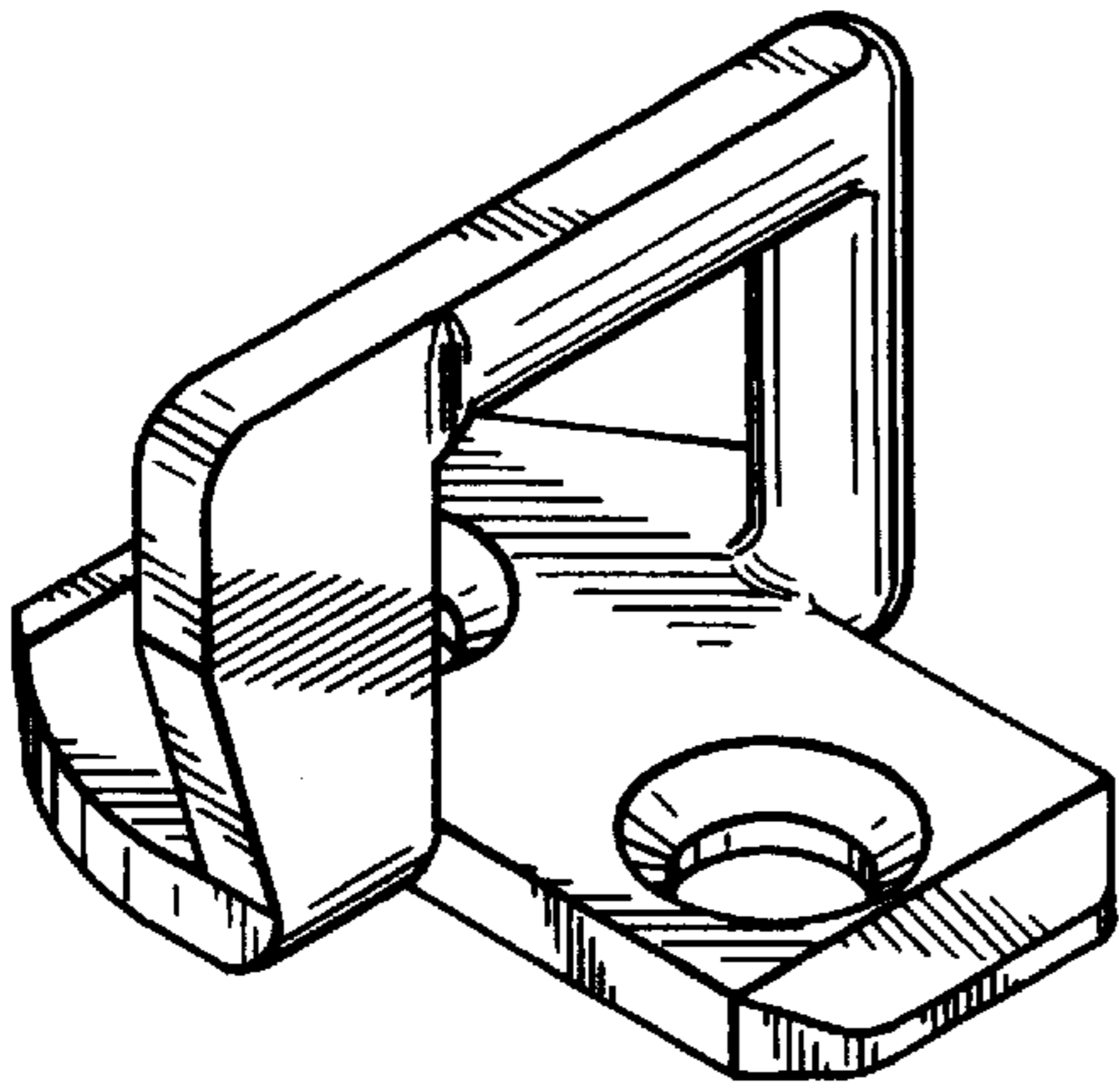


FIG. 8

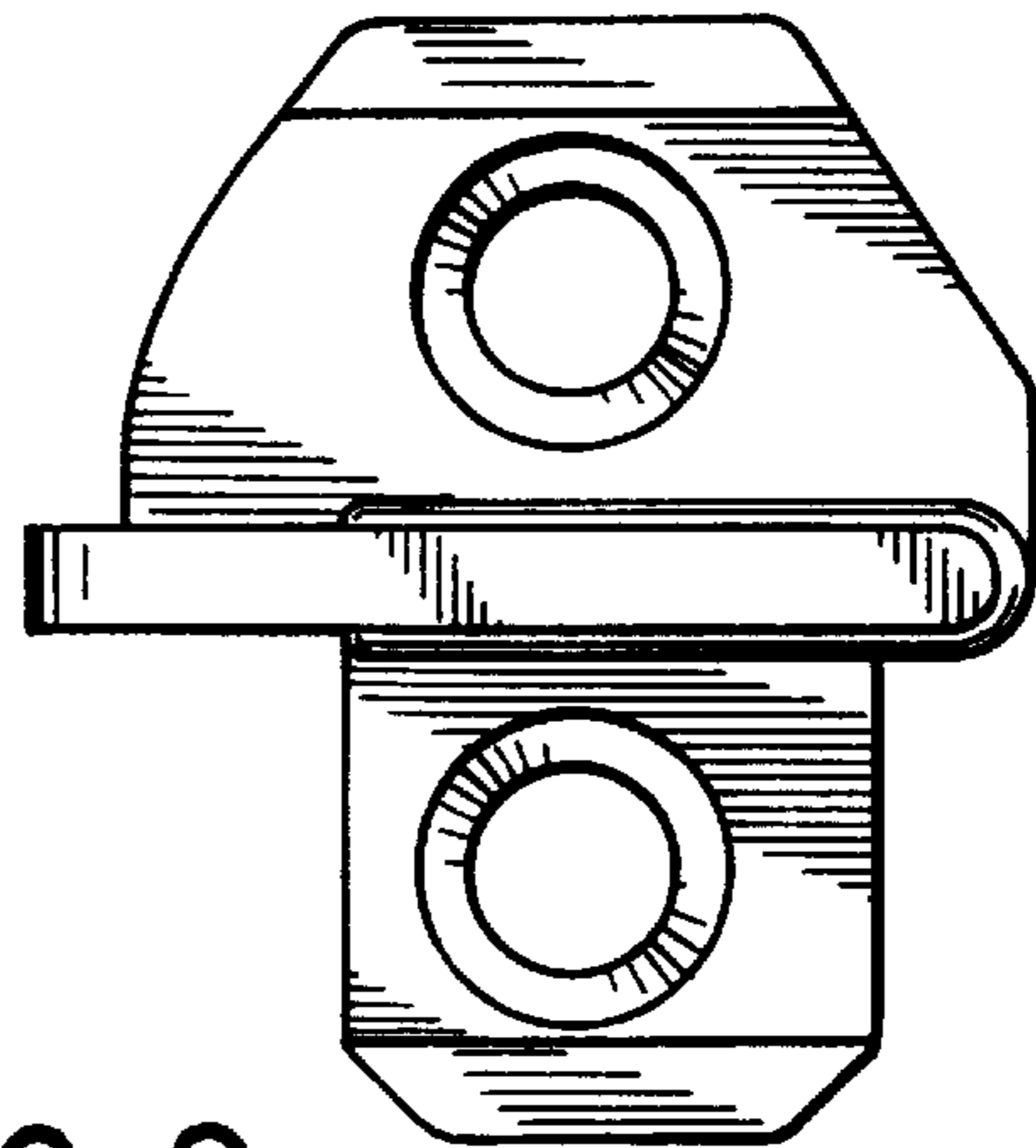


FIG. 9

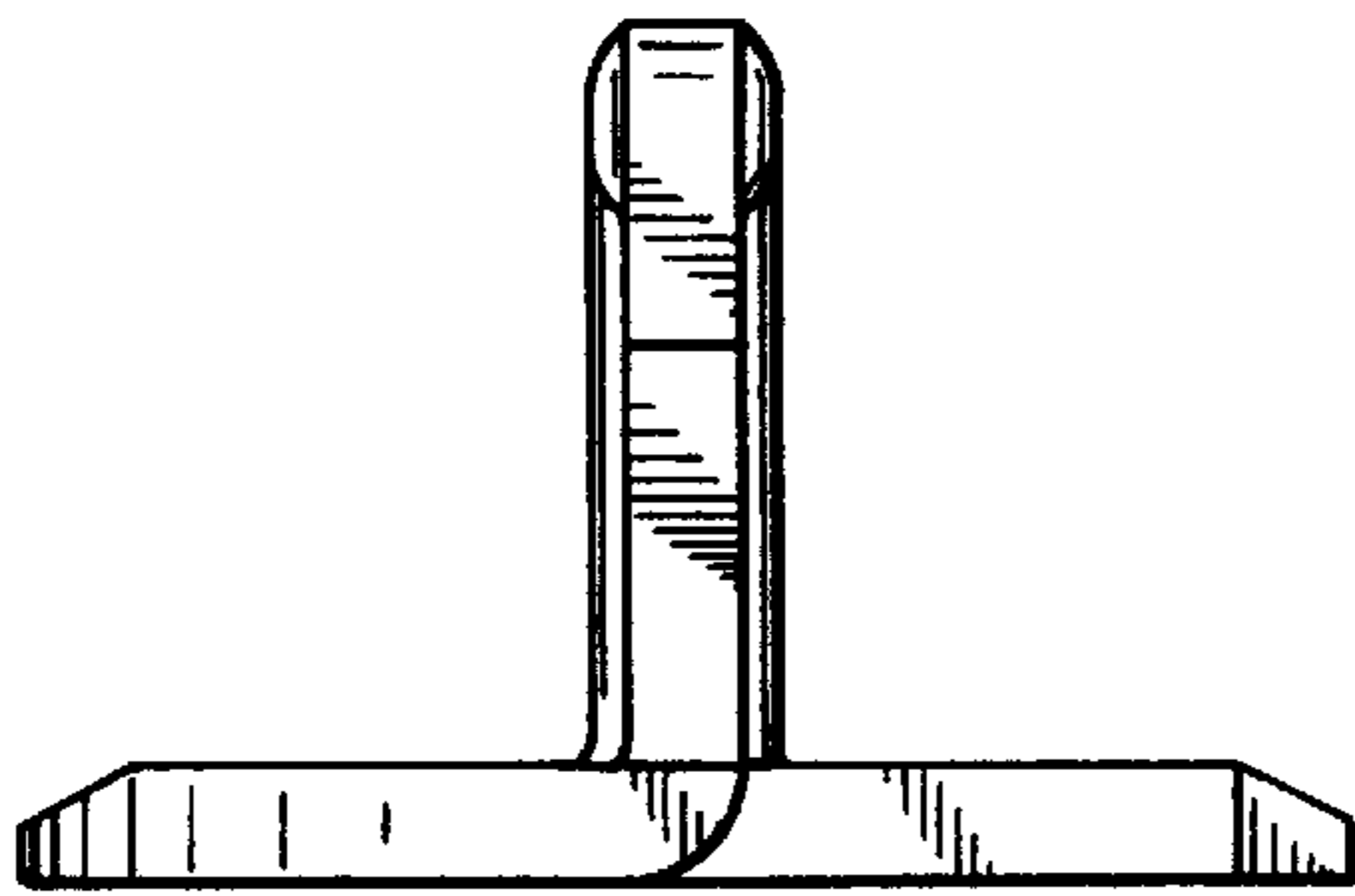


FIG. 10

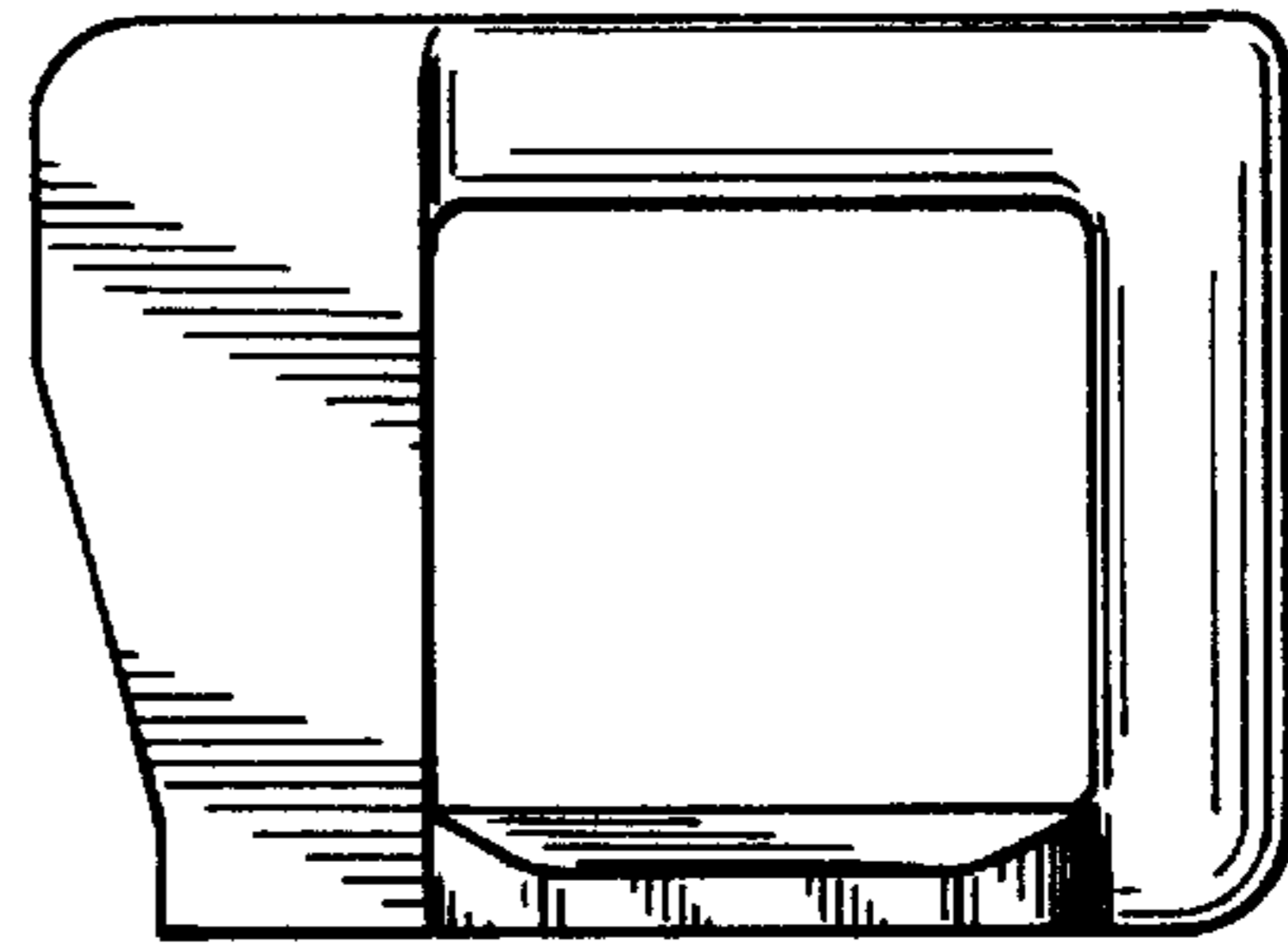


FIG. 11

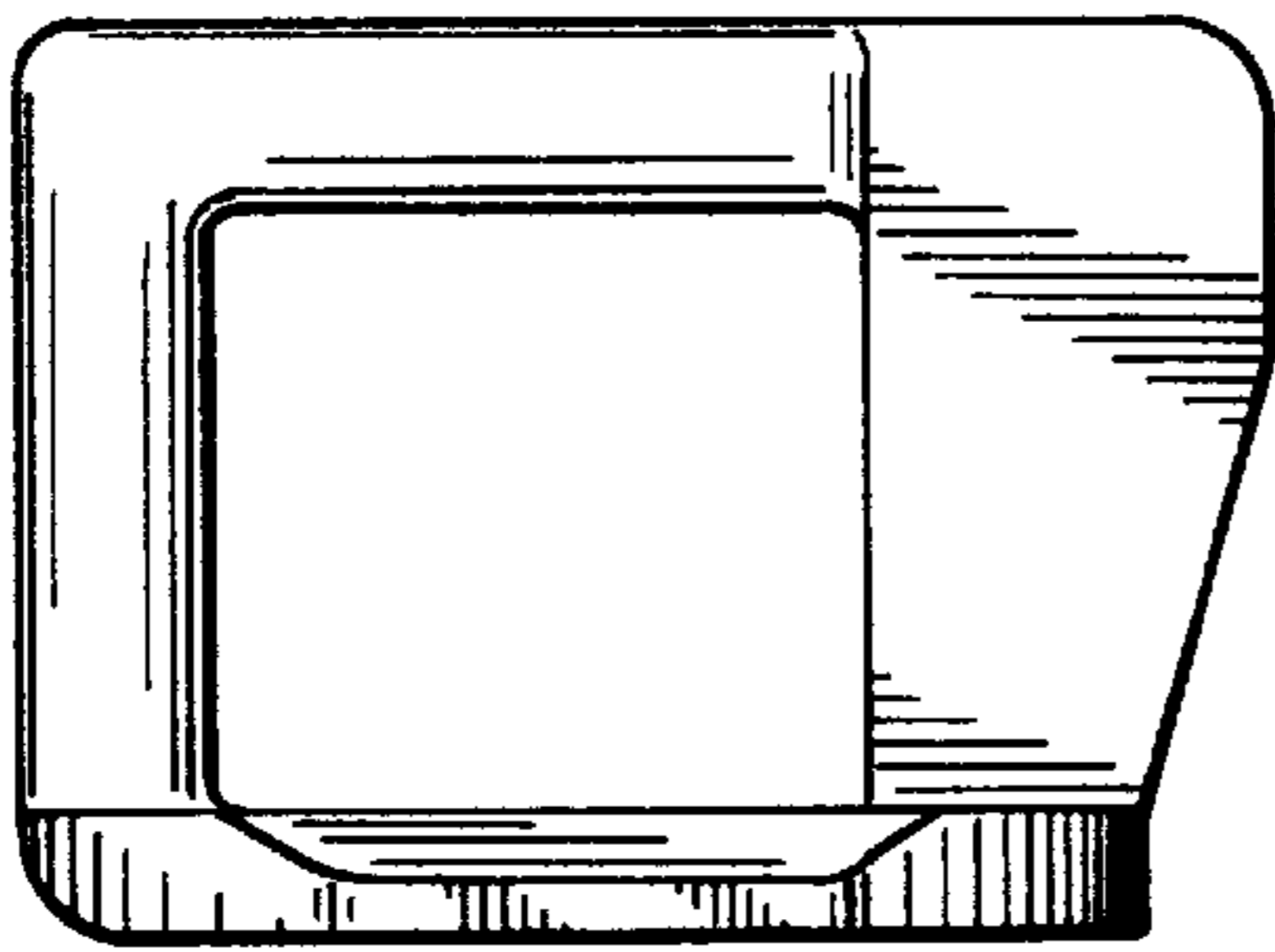


FIG. 12

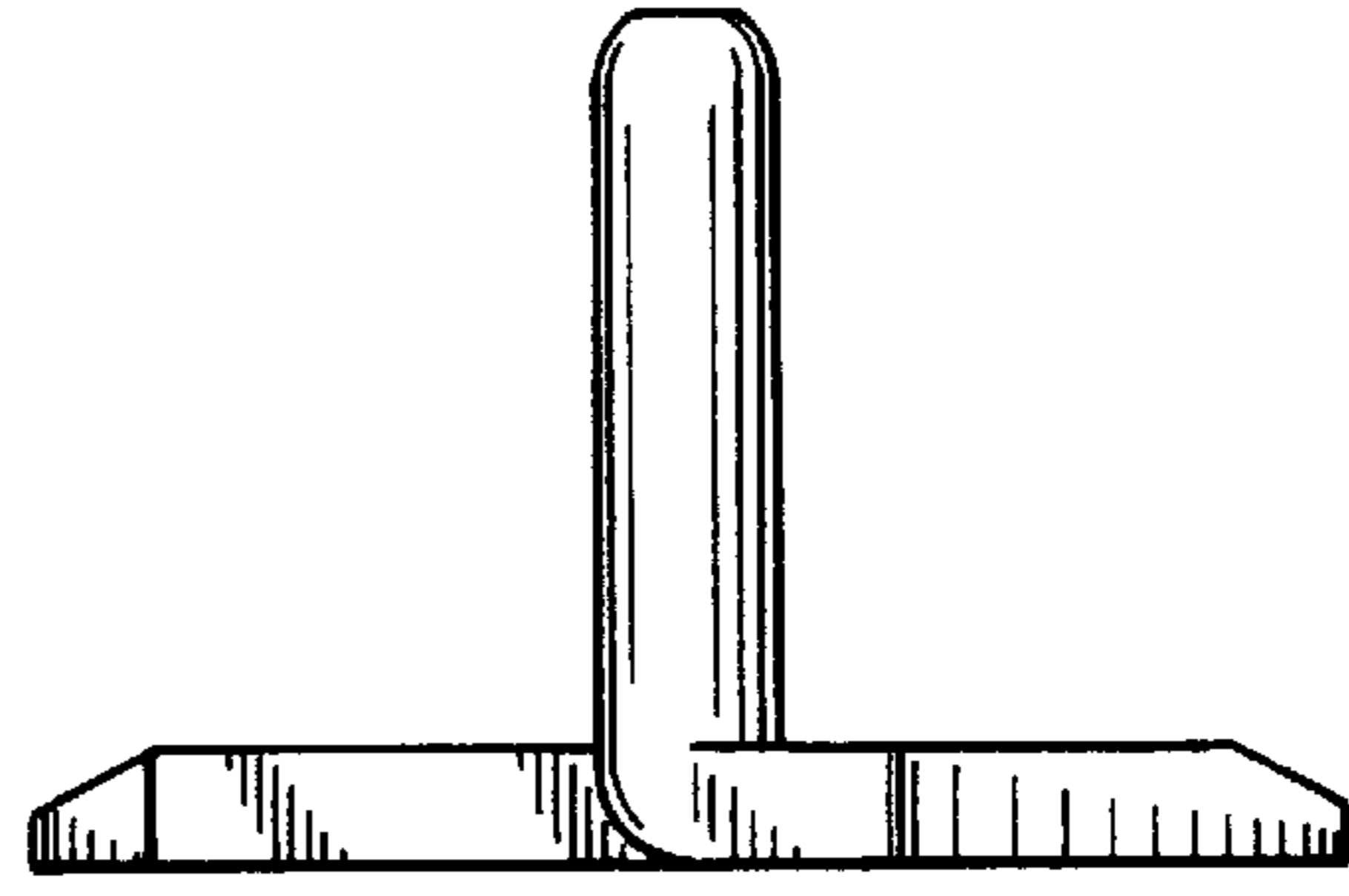


FIG. 13

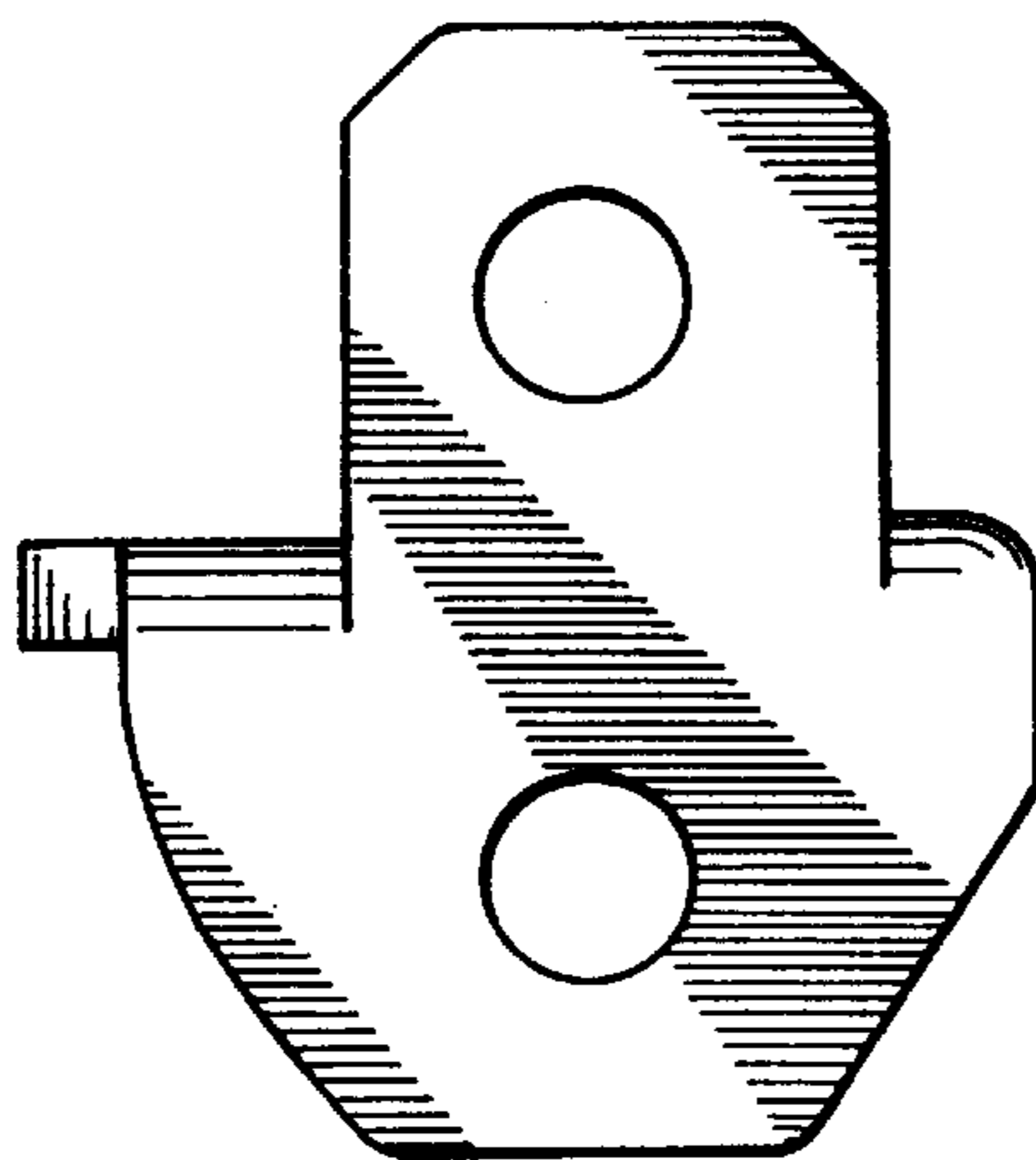


FIG. 14