



US00D442901S

(12) **United States Design Patent**
Conway et al.

(10) **Patent No.:** **US D442,901 S**

(45) **Date of Patent:** **** May 29, 2001**

(54) **EXTERIOR SUN VISOR FOR A TRUCK**

(75) Inventors: **Scott M. Conway**, Flower Mound;
Louis D. Heilaneh, Lewisville, both of
TX (US)

(73) Assignee: **PACCAR Inc**, Bellevue, WA (US)

(**) Term: **14 Years**

(21) Appl. No.: **29/112,851**

(22) Filed: **Oct. 21, 1999**

(51) **LOC (7) Cl.** **12-16**

(52) **U.S. Cl.** **D12/191**

(58) **Field of Search** D12/181, 182,
D12/190, 191; 296/95.1, 180.1-180.4, 91,
97.1, 97.6-97.8, 97.11-97.12; 160/370.21,
DIG. 3, 371, 105; 362/80.1; D6/546, 549;
D8/363

(56) **References Cited**

U.S. PATENT DOCUMENTS

D. 254,907	*	5/1980	Envall et al.	D12/181
D. 283,611	*	4/1986	Kingsley	D12/191
D. 299,713	*	2/1989	Dunham	D12/191
D. 311,506		10/1990	Marlowe et al.	D12/96
D. 341,563	*	11/1993	Niemi	D12/191
D. 348,295	*	6/1994	Artman	D12/191
D. 360,176	*	7/1995	Onopa	D12/191
D. 362,422	*	9/1995	Stanesic	D12/191
D. 363,262	*	10/1995	Schenk, Sr.	D12/181
D. 366,639	*	1/1996	Horwill	D12/181
D. 375,475	*	11/1996	Smiarowski	D12/191
D. 384,019	*	9/1997	Meryman et al.	D12/191
D. 388,755	*	1/1998	Hellhake et al.	D12/191
D. 403,999	*	1/1999	Lund	D12/191
D. 409,541	*	5/1999	Sproull et al.	D12/191

D. 414,150	*	9/1999	Sutton et al.	D12/181
2,547,528	*	4/1951	Lewis	296/95.1
2,777,732	*	1/1957	Walsh	296/95.1
4,369,996		1/1983	Fluck	296/97 K
4,758,040	*	7/1988	Kingsley et al.	296/97.1
5,056,851	*	10/1991	Horwill et al.	296/95.1
5,669,697		9/1997	Angelo et al.	362/80

OTHER PUBLICATIONS

J.C. Whitney Catalog, p. 54, See "Custom-Fit Sun Visors",
Feb. 1991.*

* cited by examiner

Primary Examiner—Stacia Cadmus

(74) *Attorney, Agent, or Firm*—Sidley & Austin

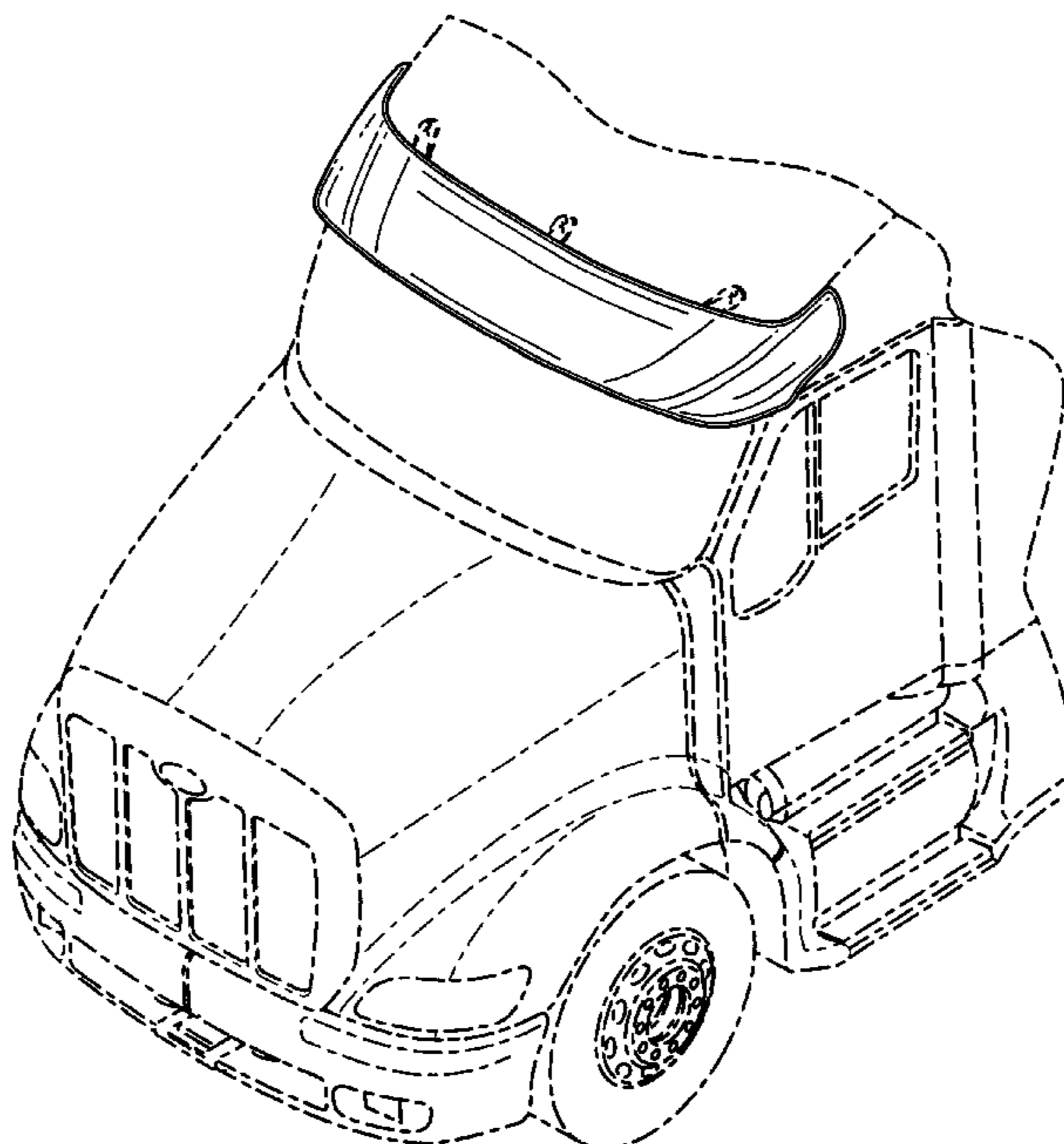
(57) **CLAIM**

The ornamental design for an exterior sun visor for a truck,
as shown and described.

DESCRIPTION

FIG. 1 is a perspective view of an exterior sun visor for a truck showing our new design;
 FIG. 2 is a front view thereof;
 FIG. 3 is a back view thereof;
 FIG. 4 is a top view thereof;
 FIG. 5 is a bottom view thereof;
 FIG. 6 is a left side view thereof, the opposite side view being a mirror image of that shown; and,
 FIG. 7 is a reduced perspective view thereof, shown in its position of use installed on a truck cab.
 The mounting brackets shown in broken lines are for illustrative purposes only and form no part of the claimed design. The broken line showing of a truck, in FIG. 7, depicts environment and is not part of the claimed design.

1 Claim, 4 Drawing Sheets



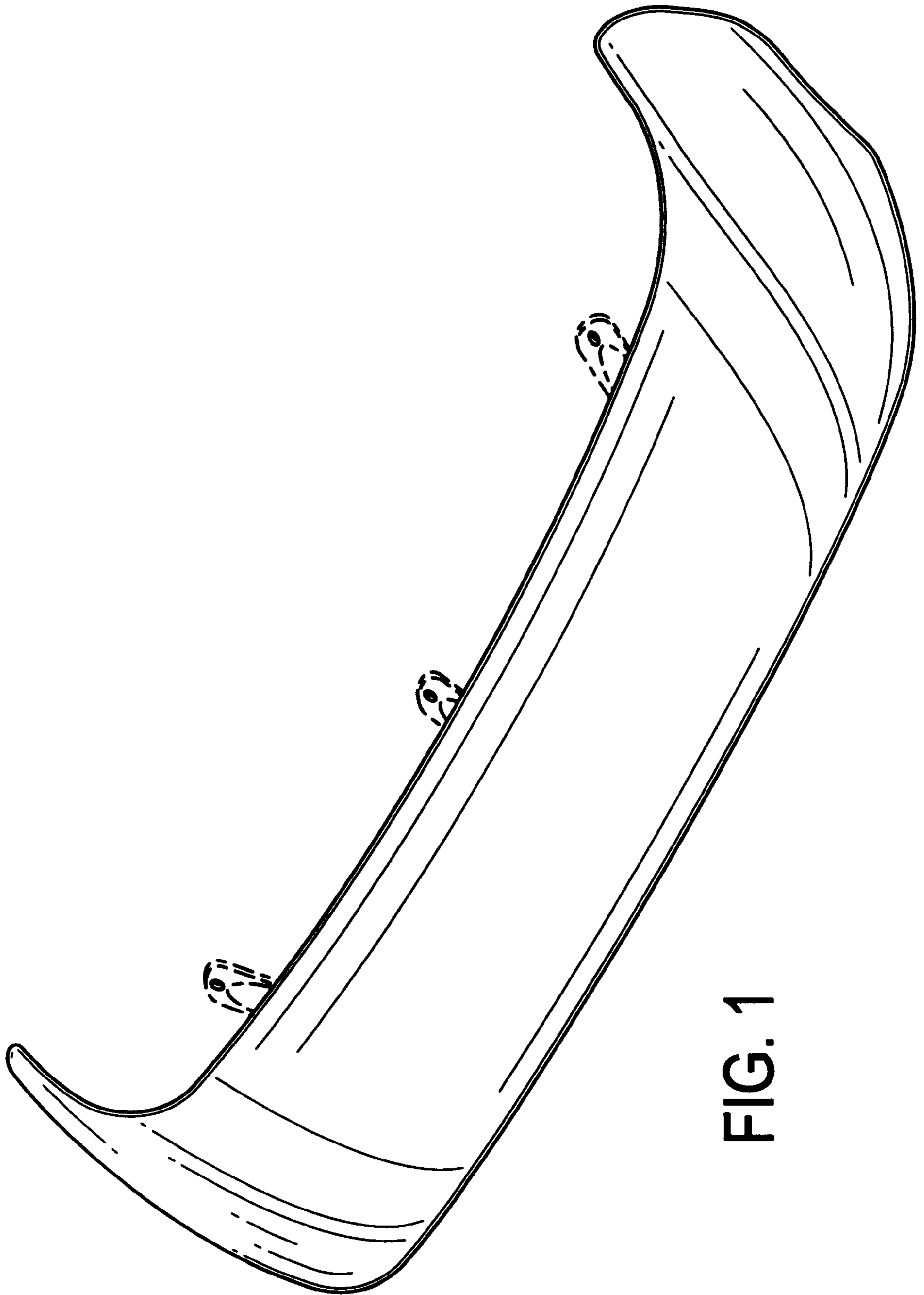


FIG. 1

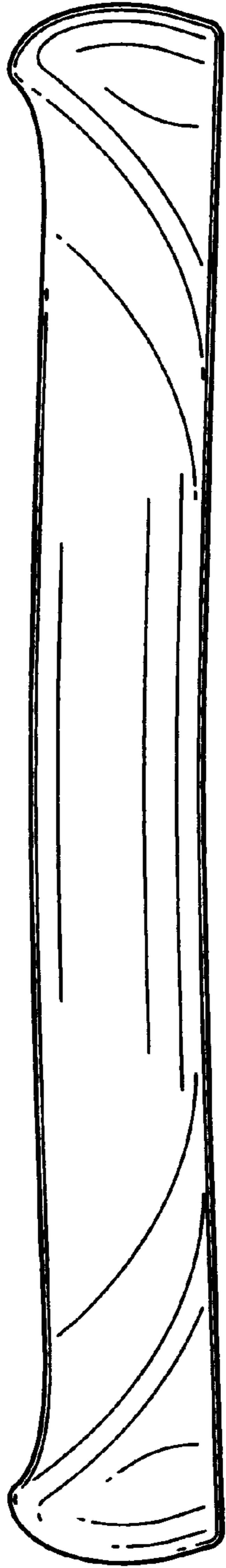


FIG. 2

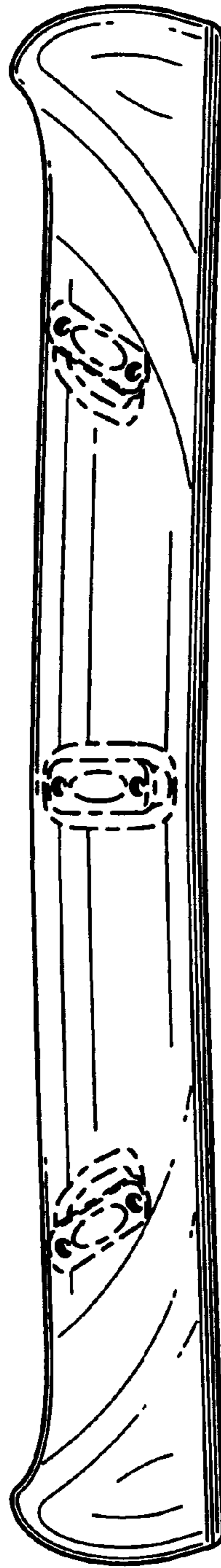


FIG. 3

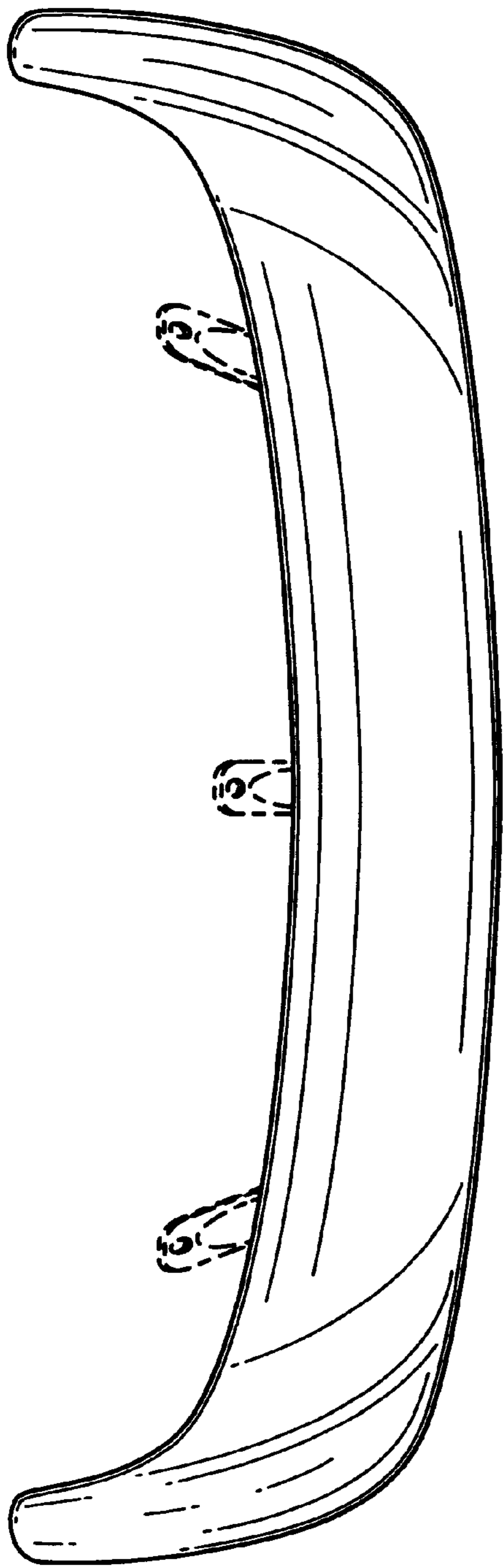


FIG. 4

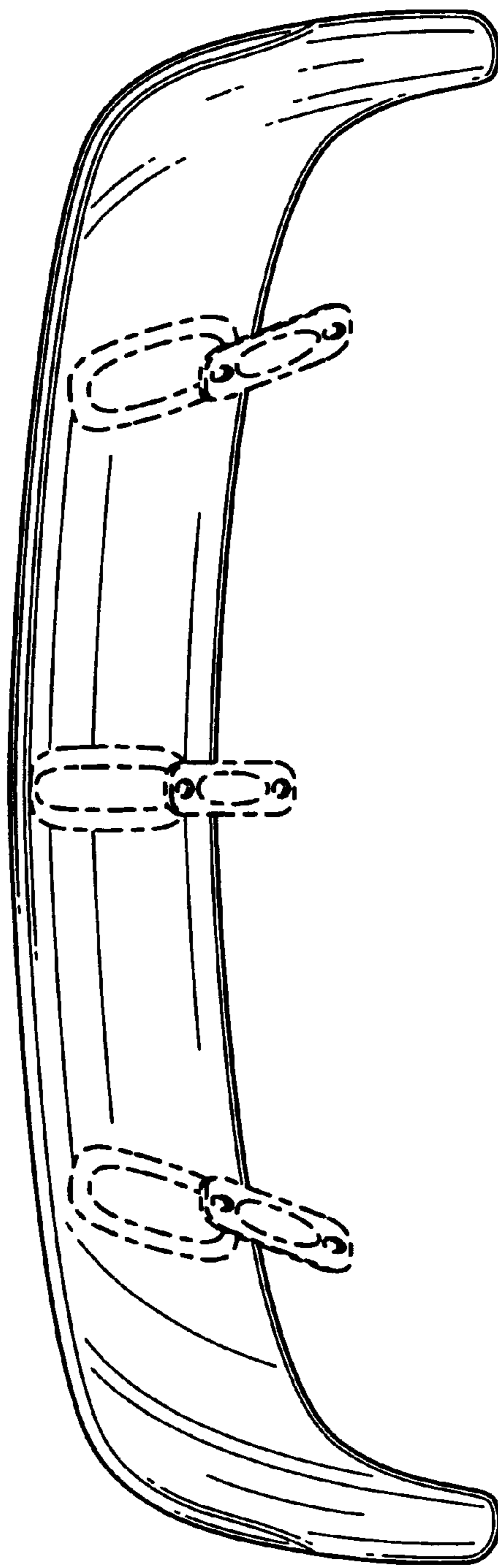


FIG. 5

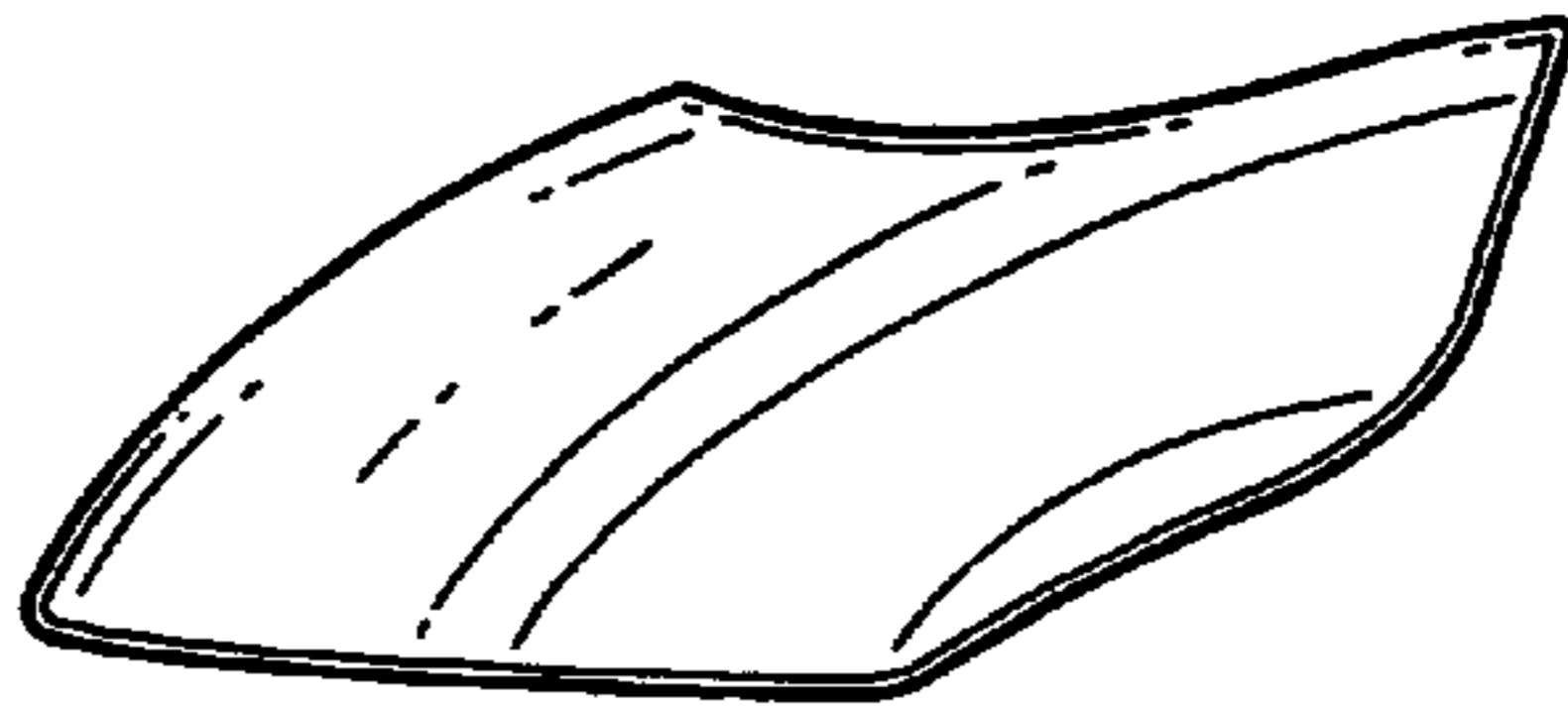


FIG. 6

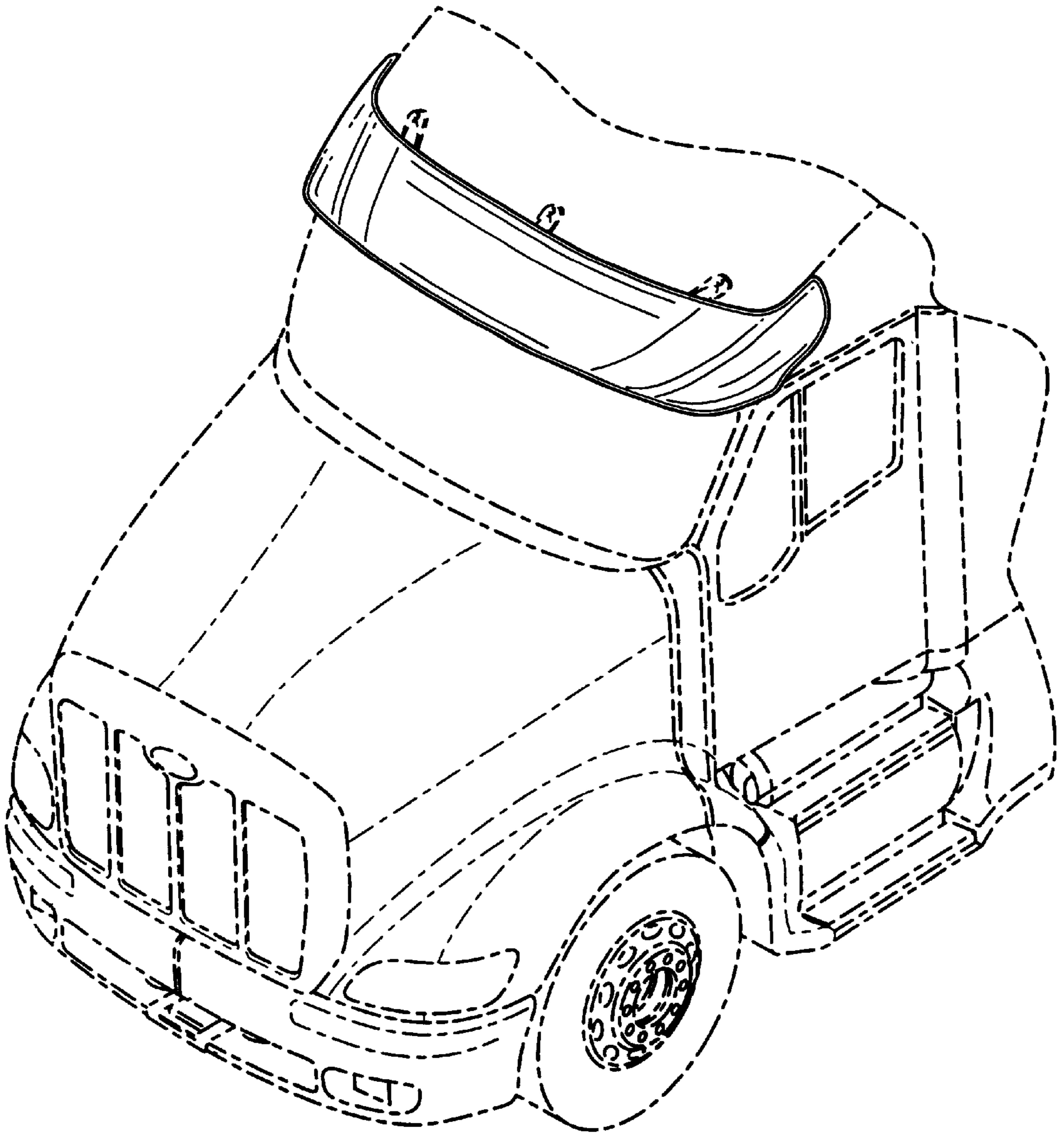


FIG. 7