



US00D442900S

(12) **United States Design Patent**  
**Separautzki**

(10) **Patent No.:** **US D442,900 S**

(45) **Date of Patent:** **\*\* May 29, 2001**

- (54) **BRAKE SHOE FOR A VEHICLE**
- (75) Inventor: **Reinhold Separautzki, Möglingen (DE)**
- (73) Assignee: **Dr. Ing. h.c.F. Porsche Aktiengesellschaft, Stuttgart (DE)**
- (\*\*) Term: **14 Years**
- (21) Appl. No.: **29/122,844**
- (22) Filed: **May 5, 2000**
- (30) **Foreign Application Priority Data**  
Nov. 5, 1999 (DE) ..... 4 99 10 331
- (51) **LOC (7) Cl.** ..... **12-08**
- (52) **U.S. Cl.** ..... **D12/180**
- (58) **Field of Search** ..... D12/180; 188/71.1, 188/73.1, 250 B, 73.45
- (56) **References Cited**  
**U.S. PATENT DOCUMENTS**  
D. 354,469 \* 1/1995 Powers ..... D12/180

- D. 373,340 \* 9/1996 Sands ..... D12/180
- D. 413,292 \* 8/1999 Jones ..... D12/180
- D. 417,642 \* 12/1999 Ashley, Sr. .... D12/180

\* cited by examiner

*Primary Examiner*—Melody N. Brown

(74) *Attorney, Agent, or Firm*—Evenson, McKeown, Edwards & Lenahan, P.L.L.C.

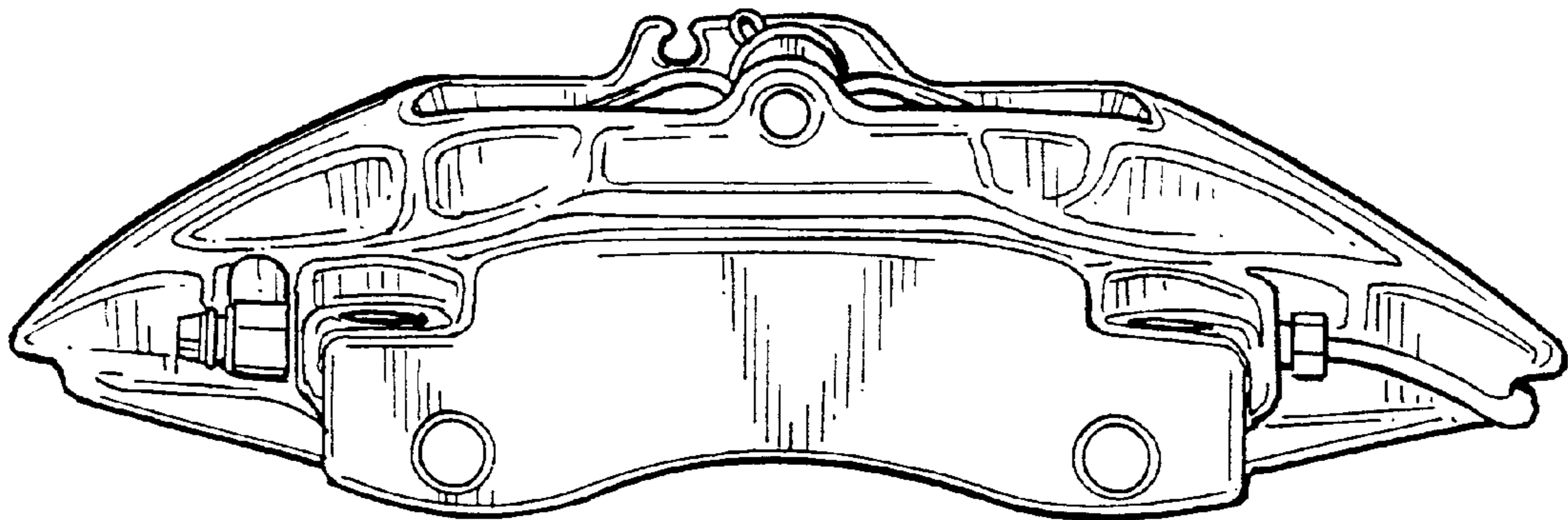
(57) **CLAIM**

The ornamental design for a brake shoe for a vehicle, as shown and described.

**DESCRIPTION**

FIG. 1 is a front view of a brake shoe for a vehicle according to my novel design;  
 FIG. 2 is a back view of the brake shoe for a vehicle according to my novel design;  
 FIG. 3 is a bottom view of the brake shoe for a vehicle according to my novel design; and,  
 FIG. 4 is a side view of the brake shoe for a vehicle according to my novel design.

**1 Claim, 1 Drawing Sheet**



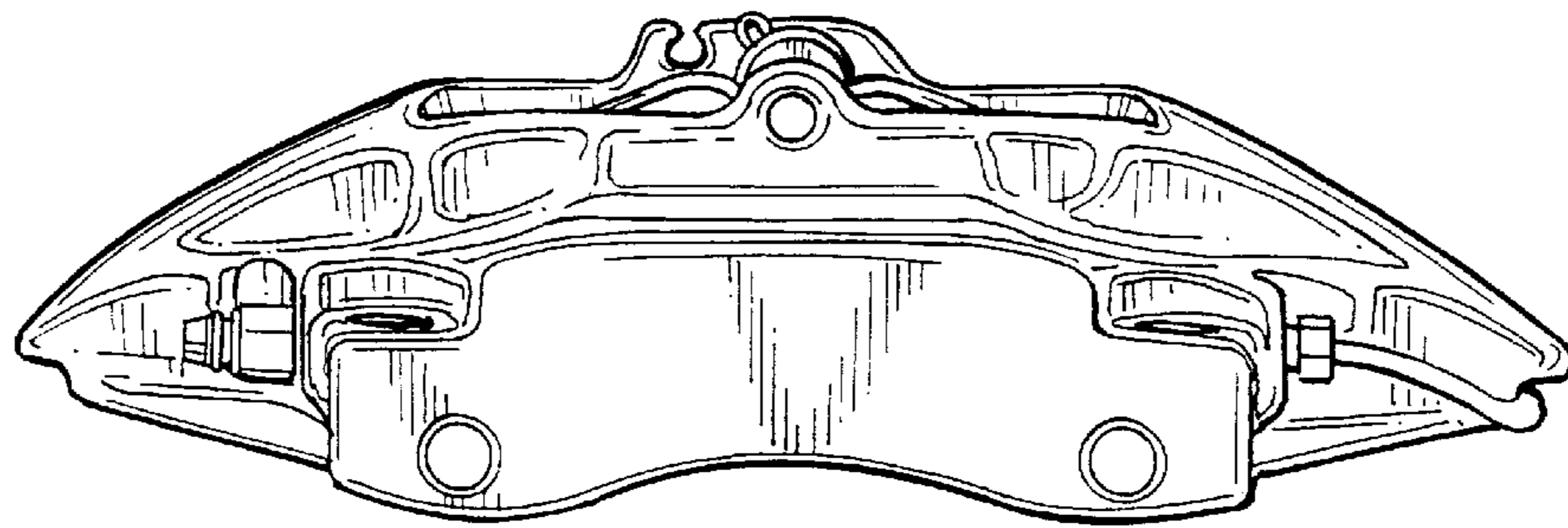


FIG. 1

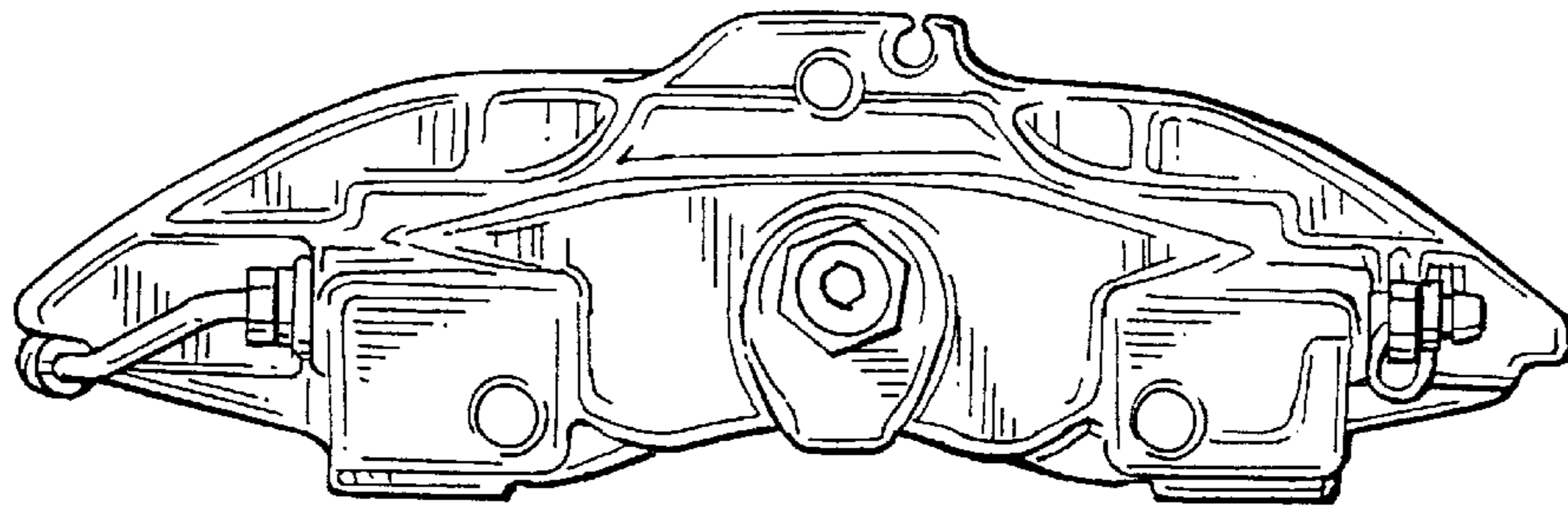


FIG. 2

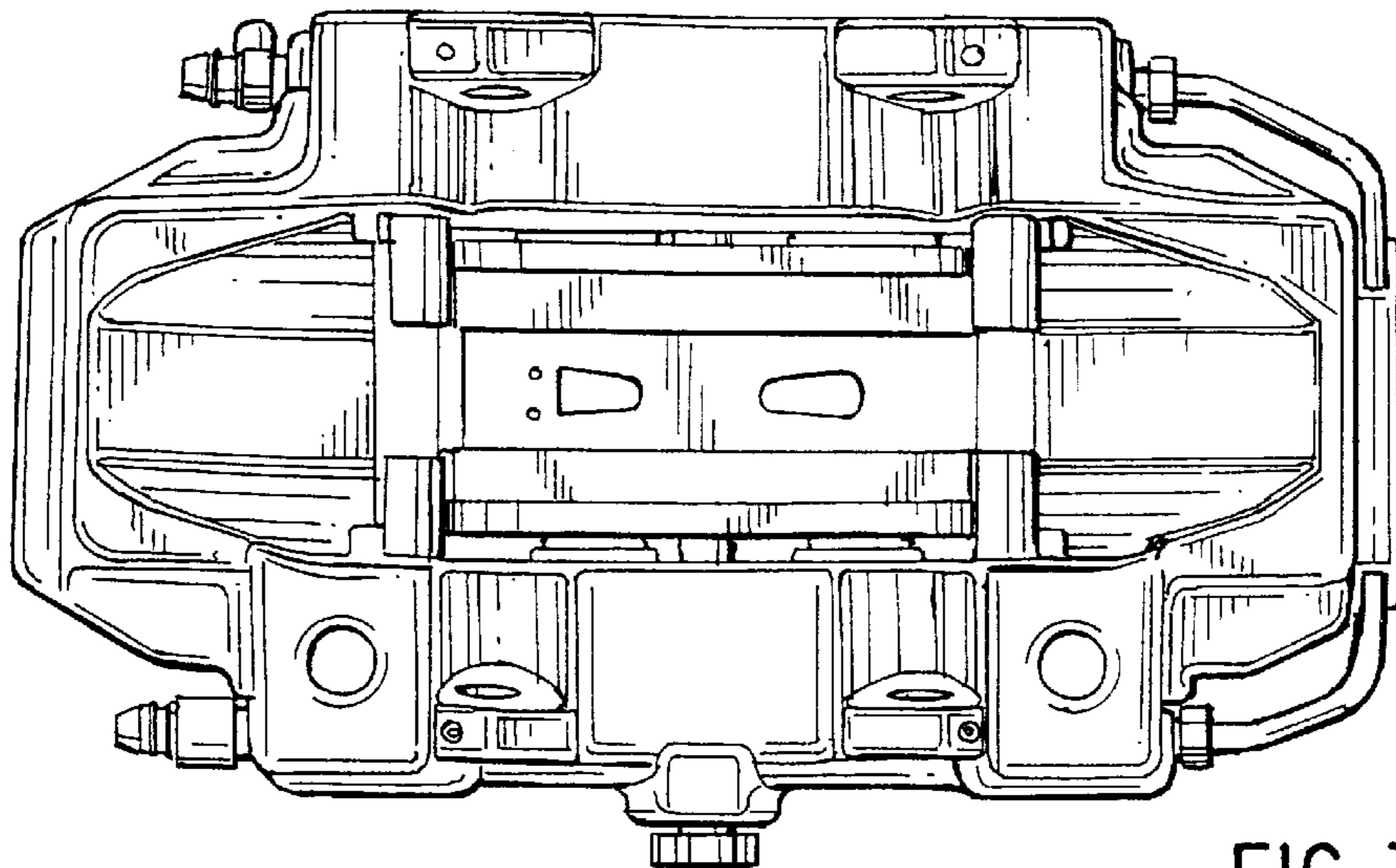


FIG. 3

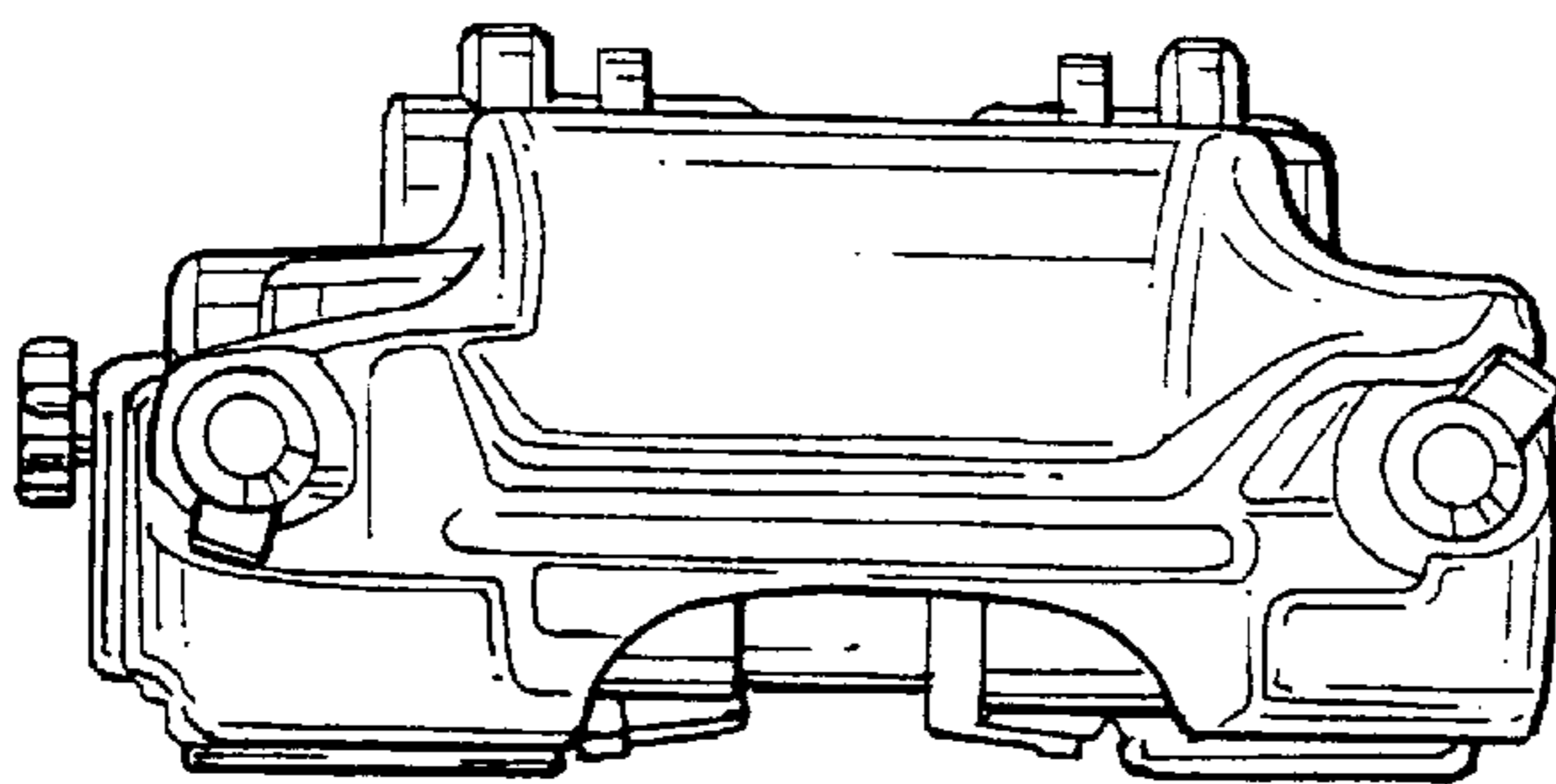


FIG. 4