



US00D442898S

(12) **United States Design Patent**  
**Beigel**

(10) **Patent No.:** **US D442,898 S**

(45) **Date of Patent:** **\*\* May 29, 2001**

(54) **BUMPER OF A TRUCK VEHICLE**

D. 410,220 \* 5/1999 Mobus et al. .... D12/169  
D. 426,503 \* 6/2000 Goplen ..... D12/169

(75) Inventor: **David J. Beigel**, Kettering, OH (US)

\* cited by examiner

(73) Assignee: **Navistar International Transportation Corp.**, Chicago, IL (US)

*Primary Examiner*—Melody N. Brown  
(74) *Attorney, Agent, or Firm*—Jeffrey P. Calfa; Dennis Kelly Sullivan Gilberto Hernandez; Neil T. Powell

(\*\*) Term: **14 Years**

(21) Appl. No.: **29/114,091**

(57) **CLAIM**

(22) Filed: **Nov. 17, 1999**

The ornamental design for a bumper of a truck vehicle, as shown and described.

(51) **LOC (7) Cl.** ..... **12-16**

**DESCRIPTION**

(52) **U.S. Cl.** ..... **D12/169; D12/196**

(58) **Field of Search** ..... D12/169, 196,  
D12/90-92; 293/102, 113, 115, 120; 296/180.1,  
180.2

FIG. 1 is a left, front perspective view of a bumper of a truck vehicle showing our new design;

FIG. 2 is a front view of the invention shown in FIG. 1;

FIG. 3 is a top view of the invention shown in FIG. 1;

FIG. 4 is a bottom view of the invention shown in FIG. 1;

FIG. 5 is a right side view of the invention shown in FIG. 1;

and,

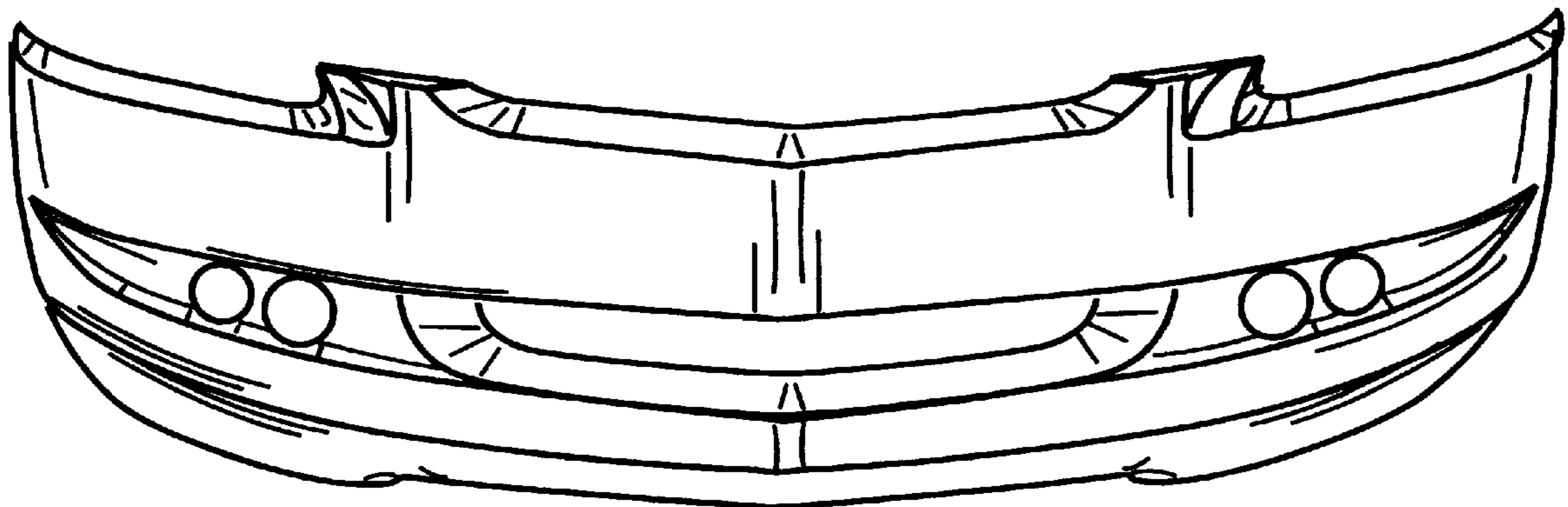
FIG. 6 is a left side view of the invention shown in FIG. 1.

(56) **References Cited**

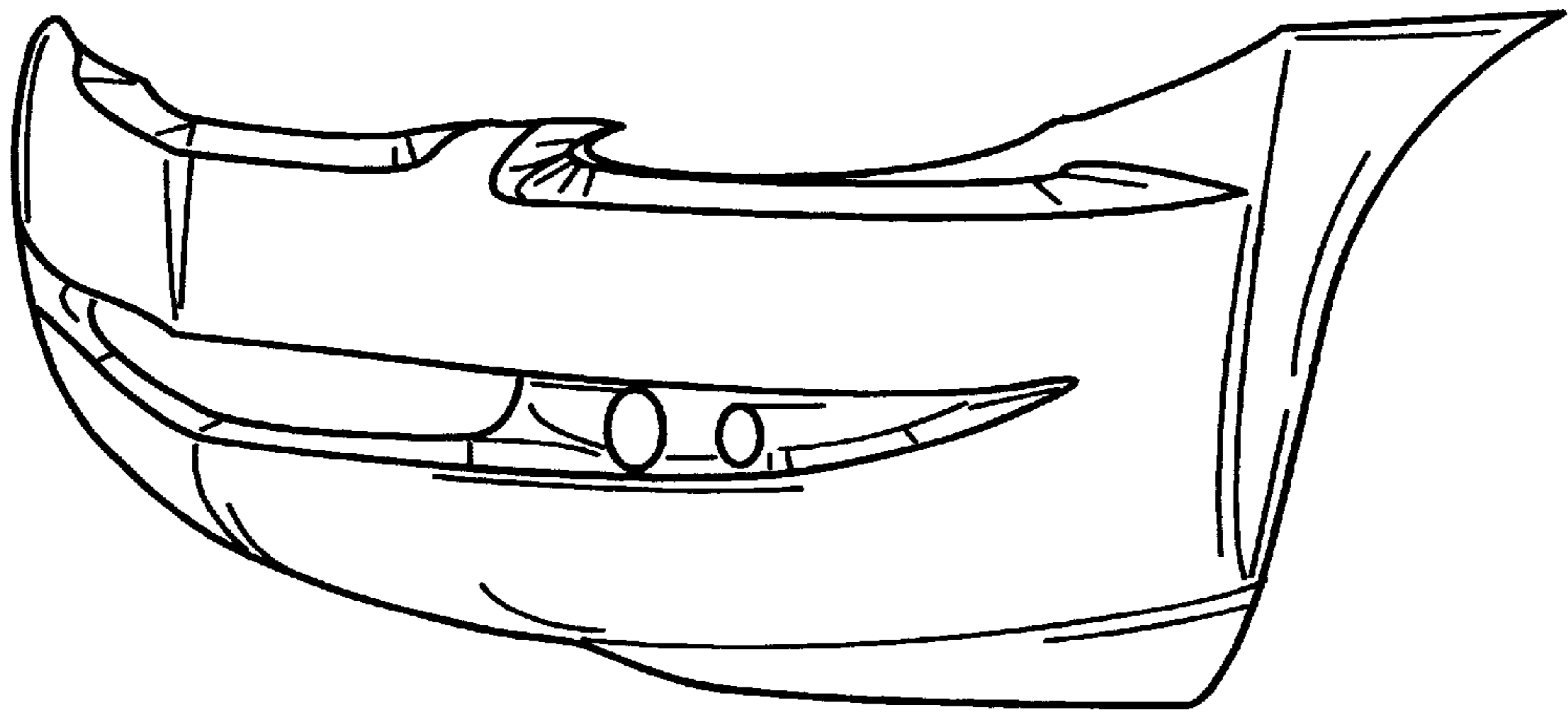
**U.S. PATENT DOCUMENTS**

- D. 391,908 3/1998 Allendorph et al. .
- D. 392,606 \* 3/1998 Kulla et al. .... D12/169
- D. 401,198 11/1998 Mueller et al. .

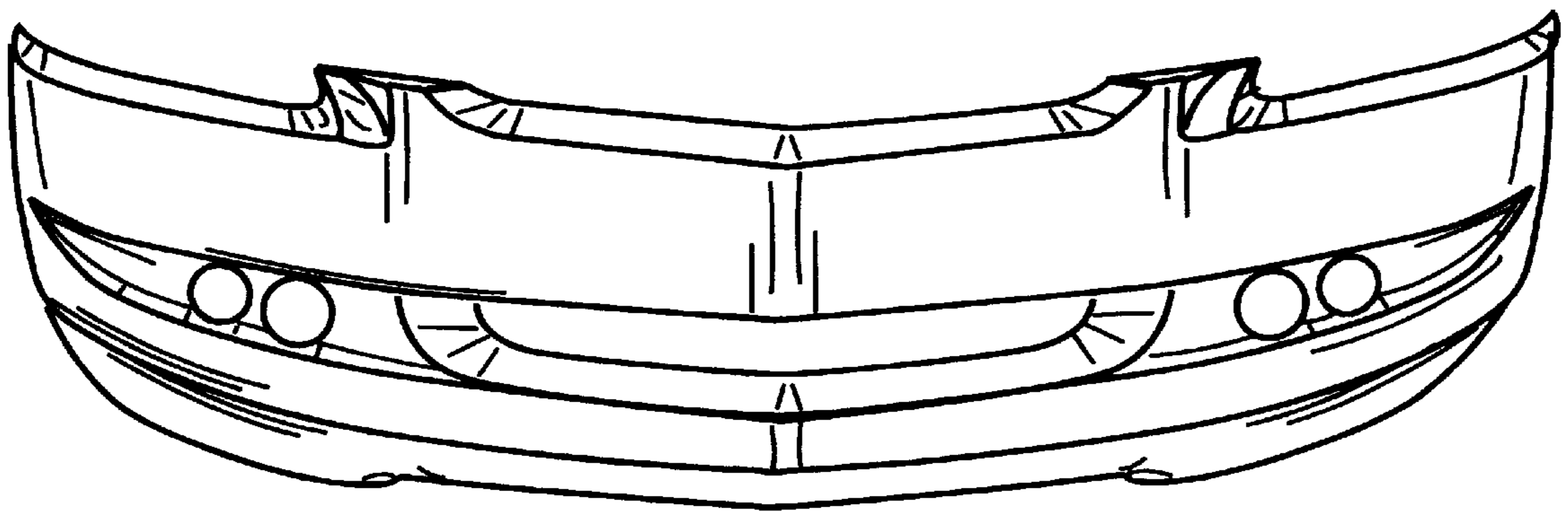
**1 Claim, 3 Drawing Sheets**

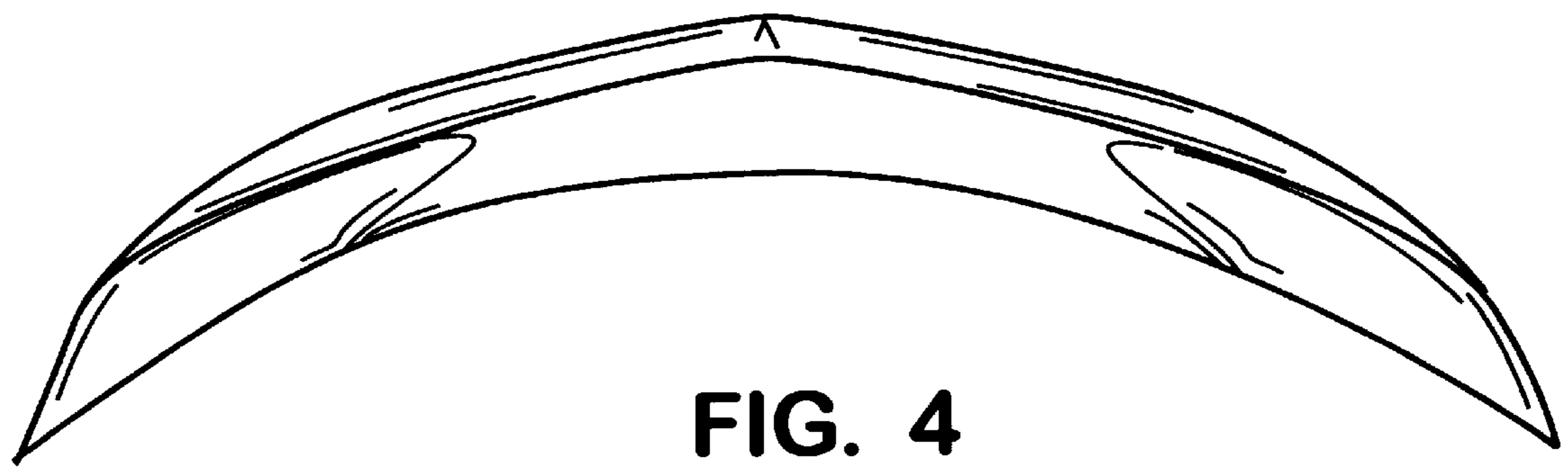
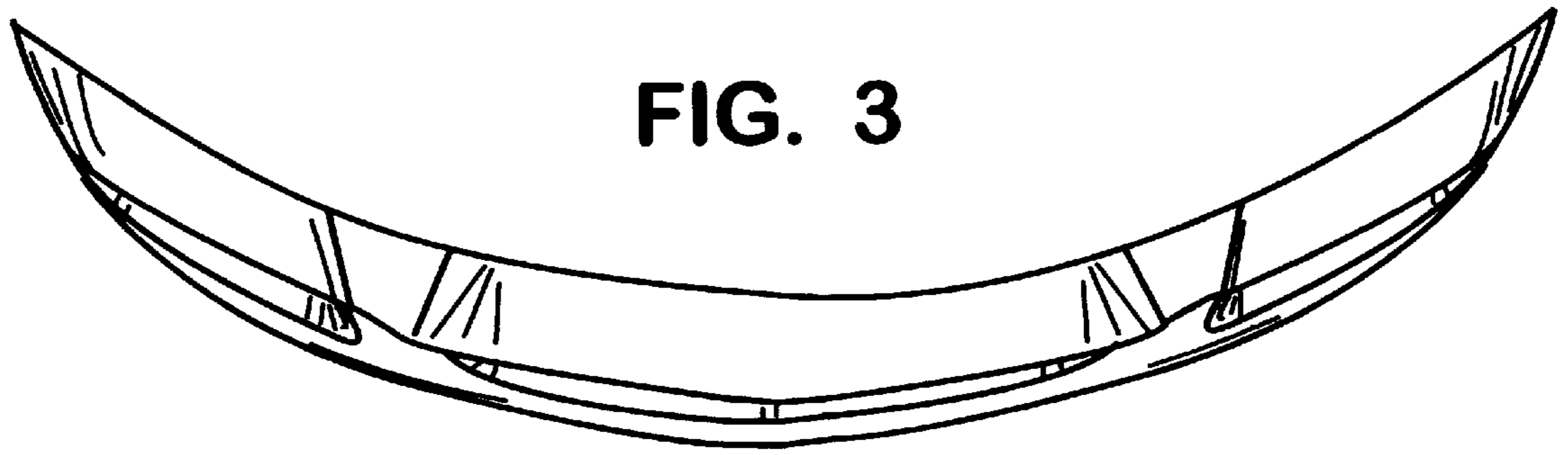


**FIG. 1**

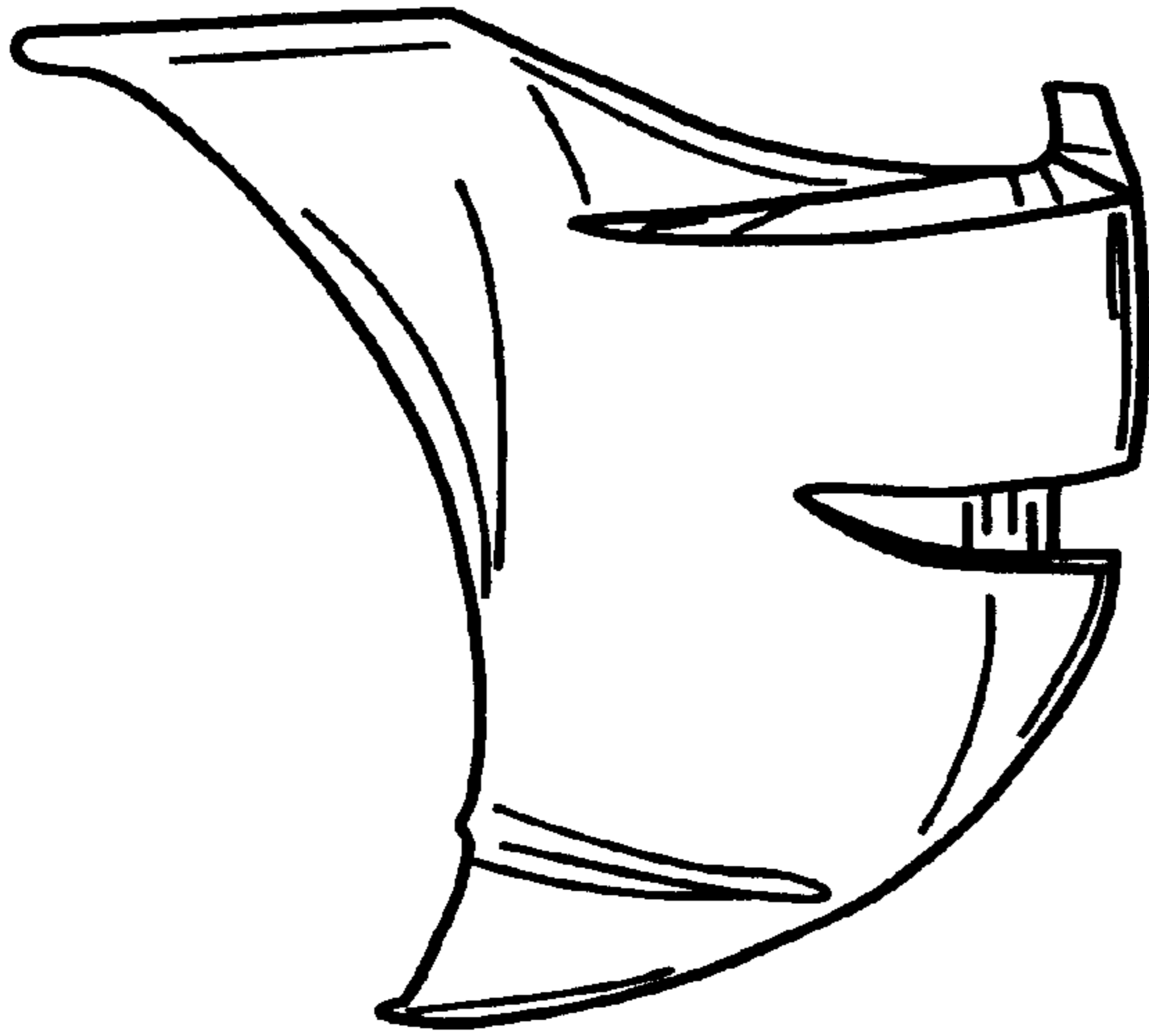


**FIG. 2**





**FIG. 5**



**FIG. 6**

