



US00D442895S

(12) **United States Design Patent**
Chiu

(10) **Patent No.:** **US D442,895 S**

(45) **Date of Patent:** **** May 29, 2001**

(54) **THREE-WHEELED STROLLER FRAME**

5,669,624 * 9/1997 Eichhorn 280/642

(76) Inventor: **Ping-Jan Chiu**, No. 1146, Chung-Shan Rd., Ta-Chia Chen, Taichung Hsien (TW)

* cited by examiner

Primary Examiner—Kay H. Chin
(74) *Attorney, Agent, or Firm*—Ladas & Parry

(**) Term: **14 Years**

(57) **CLAIM**

(21) Appl. No.: **29/126,671**

The ornamental design for a three-wheeled stroller frame, as shown and described.

(22) Filed: **Jul. 21, 2000**

DESCRIPTION

(51) **LOC (7) Cl.** **12-12**

(52) **U.S. Cl.** **D12/129; D12/133**

(58) **Field of Search** D12/128-133;
D34/18; 280/36, 62, 42, 47.38, 650, 658,
642, 641, 643

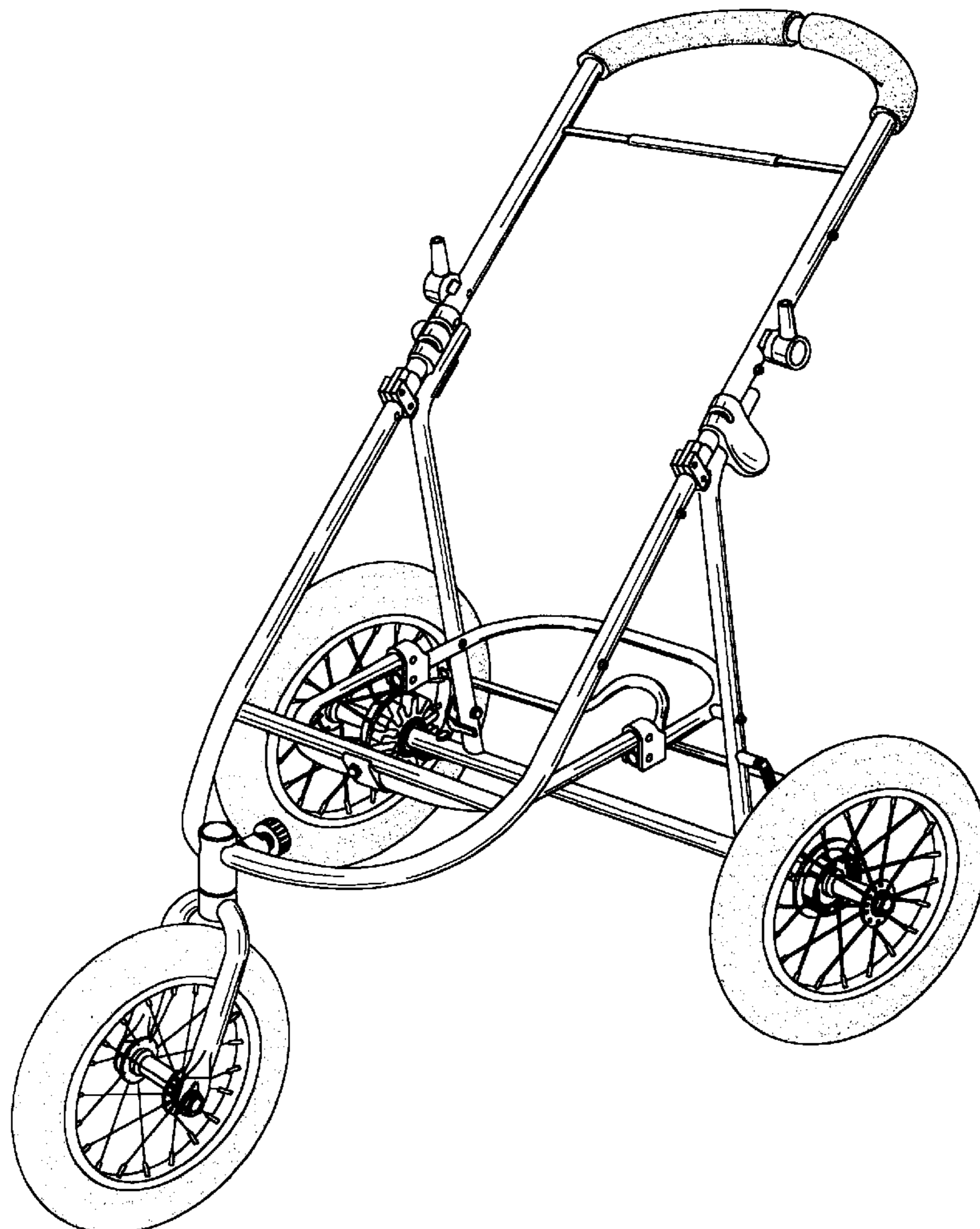
FIG. 1 is a perspective view of three-wheeled stroller frame showing my new design;
FIG. 2 is a front elevational view thereof;
FIG. 3 is a rear elevational view thereof;
FIG. 4 is a left side elevational view thereof;
FIG. 5 is a right side elevational view thereof;
FIG. 6 is a top plan view thereof;
FIG. 7 is a bottom plan view thereof; and,
FIG. 8 is another perspective view in use.

(56) **References Cited**

U.S. PATENT DOCUMENTS

- D. 409,530 * 5/1999 Chen et al. D12/129
- D. 419,113 * 1/2000 Everett D12/129
- D. 422,948 * 4/2000 Huang D12/129

1 Claim, 6 Drawing Sheets



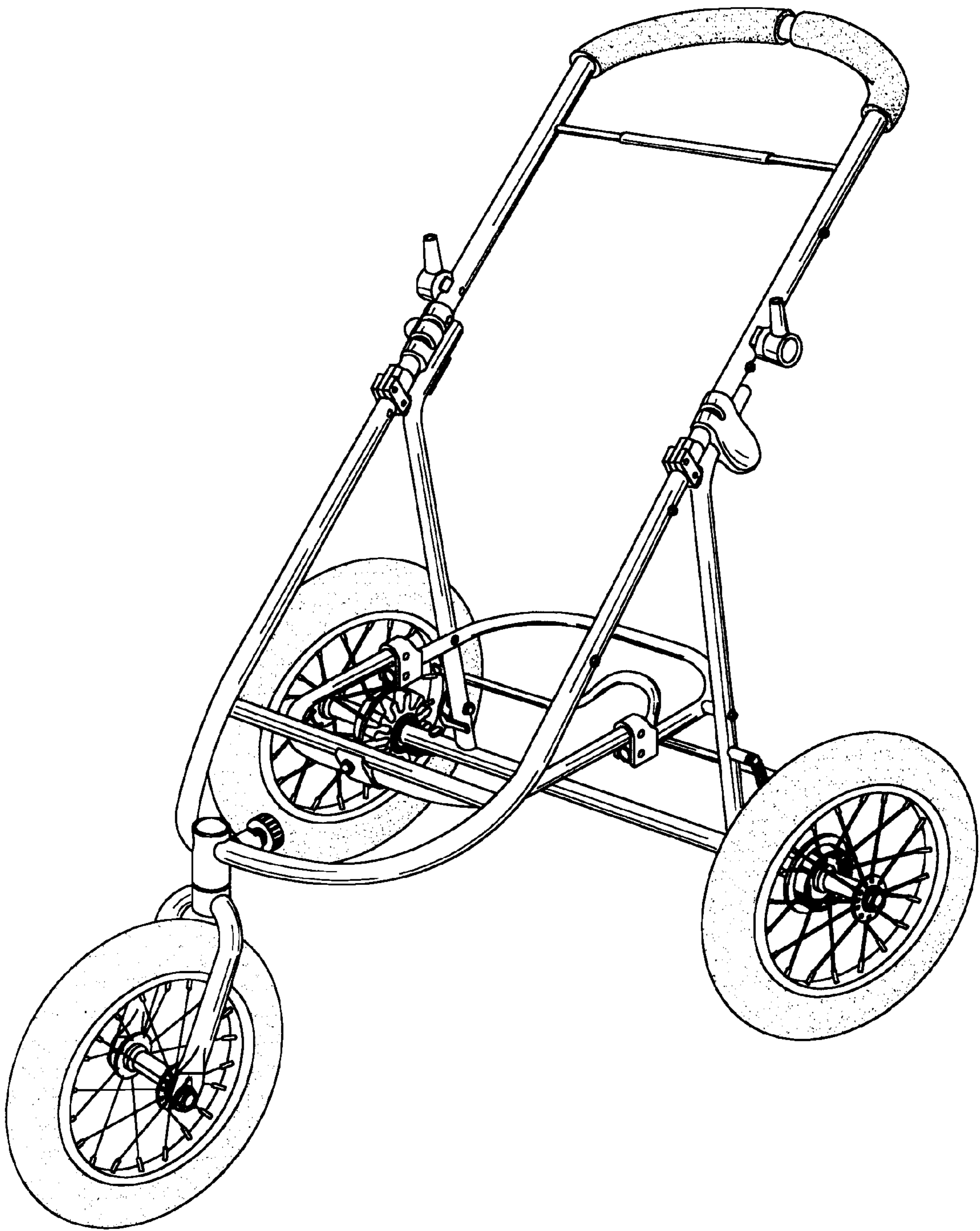


FIG. 1

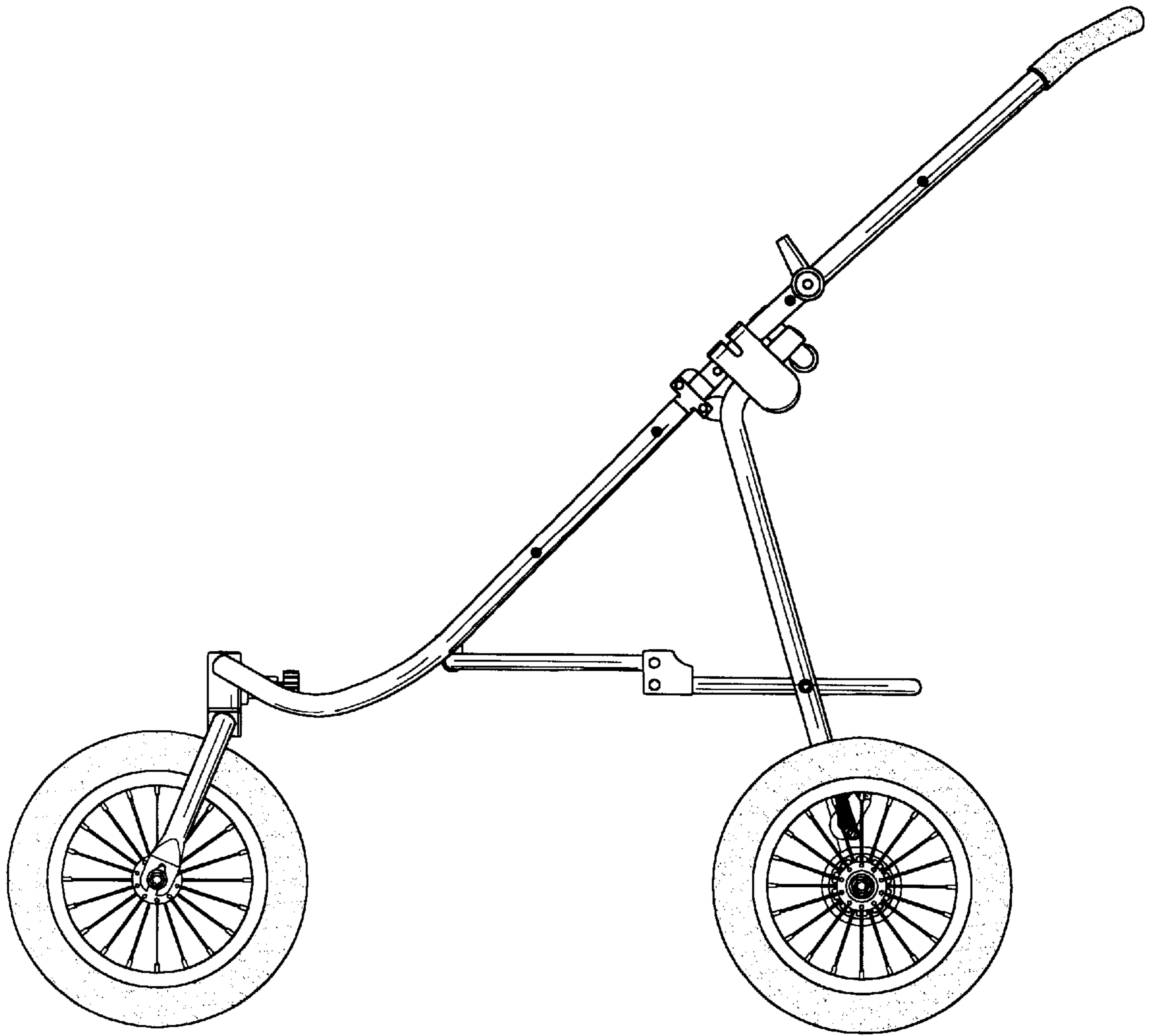


FIG. 2

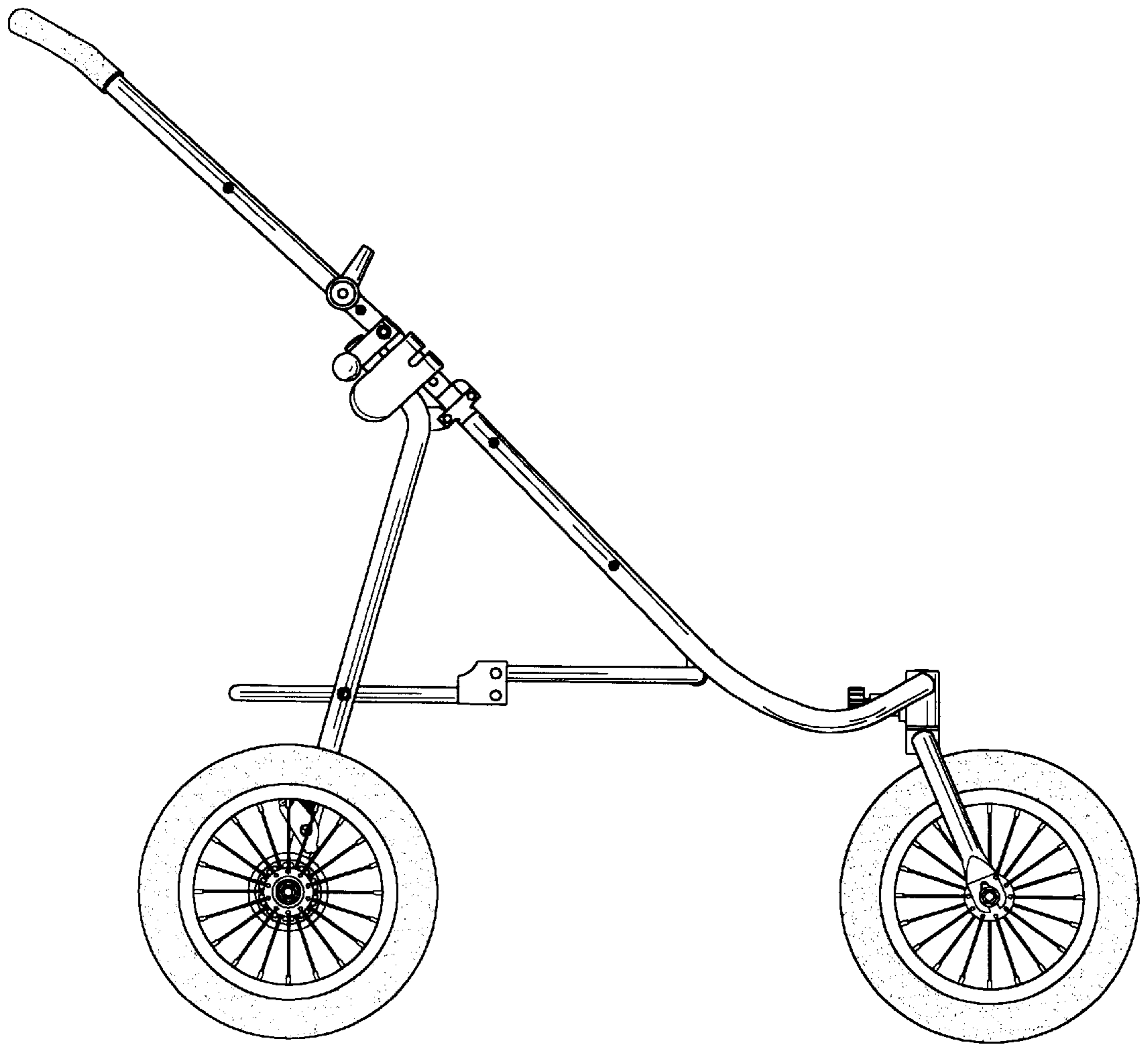


FIG. 3

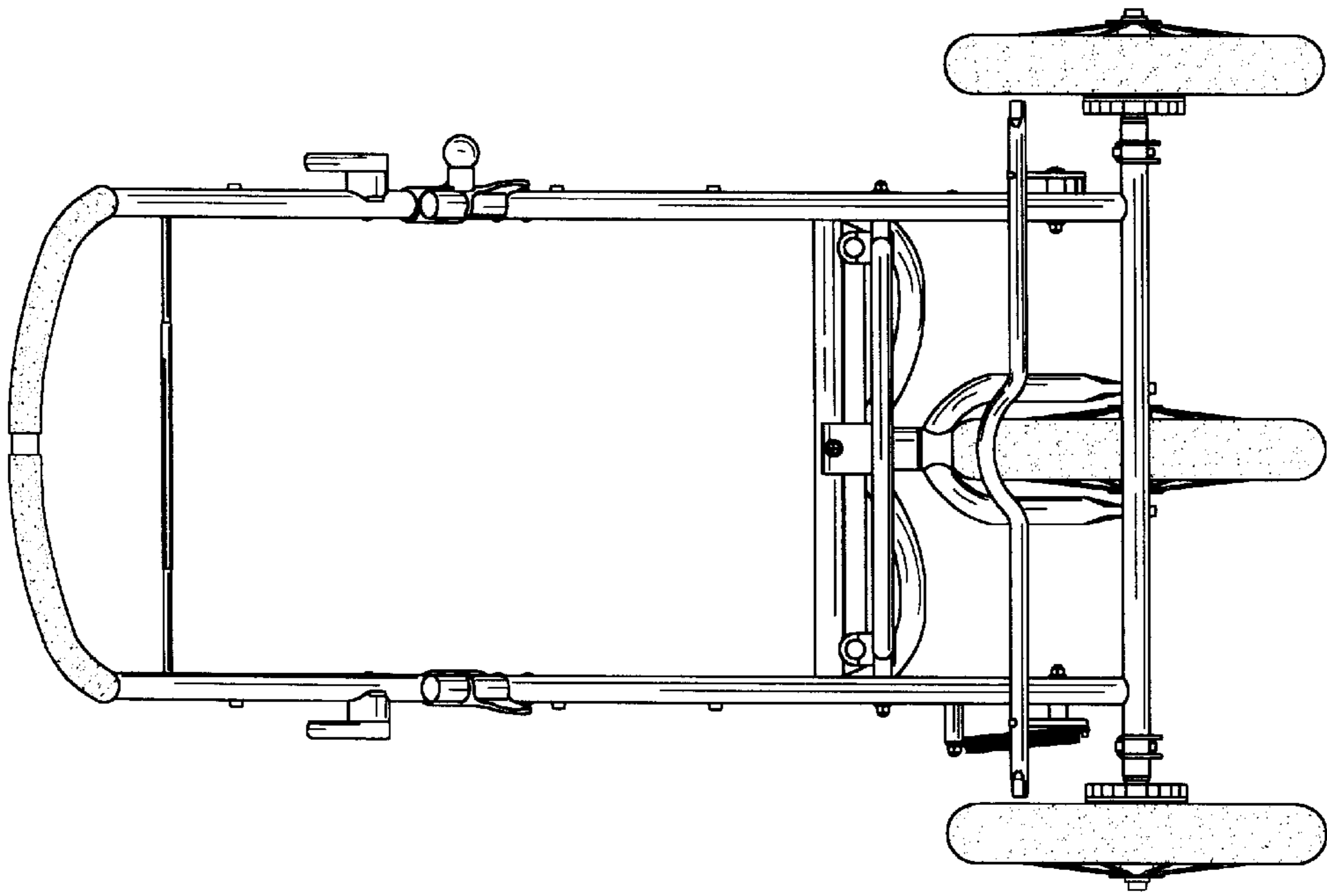


FIG. 5

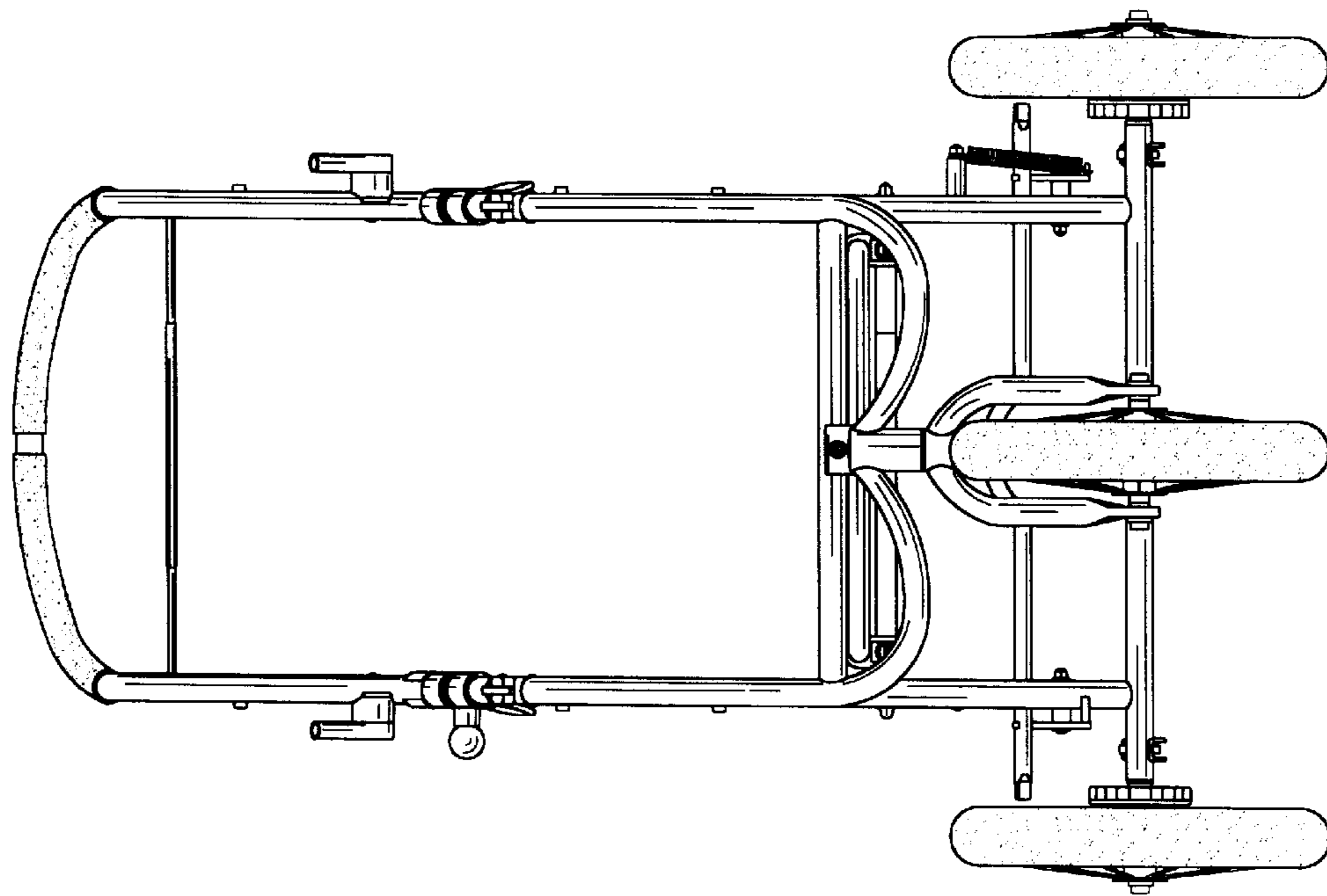


FIG. 4

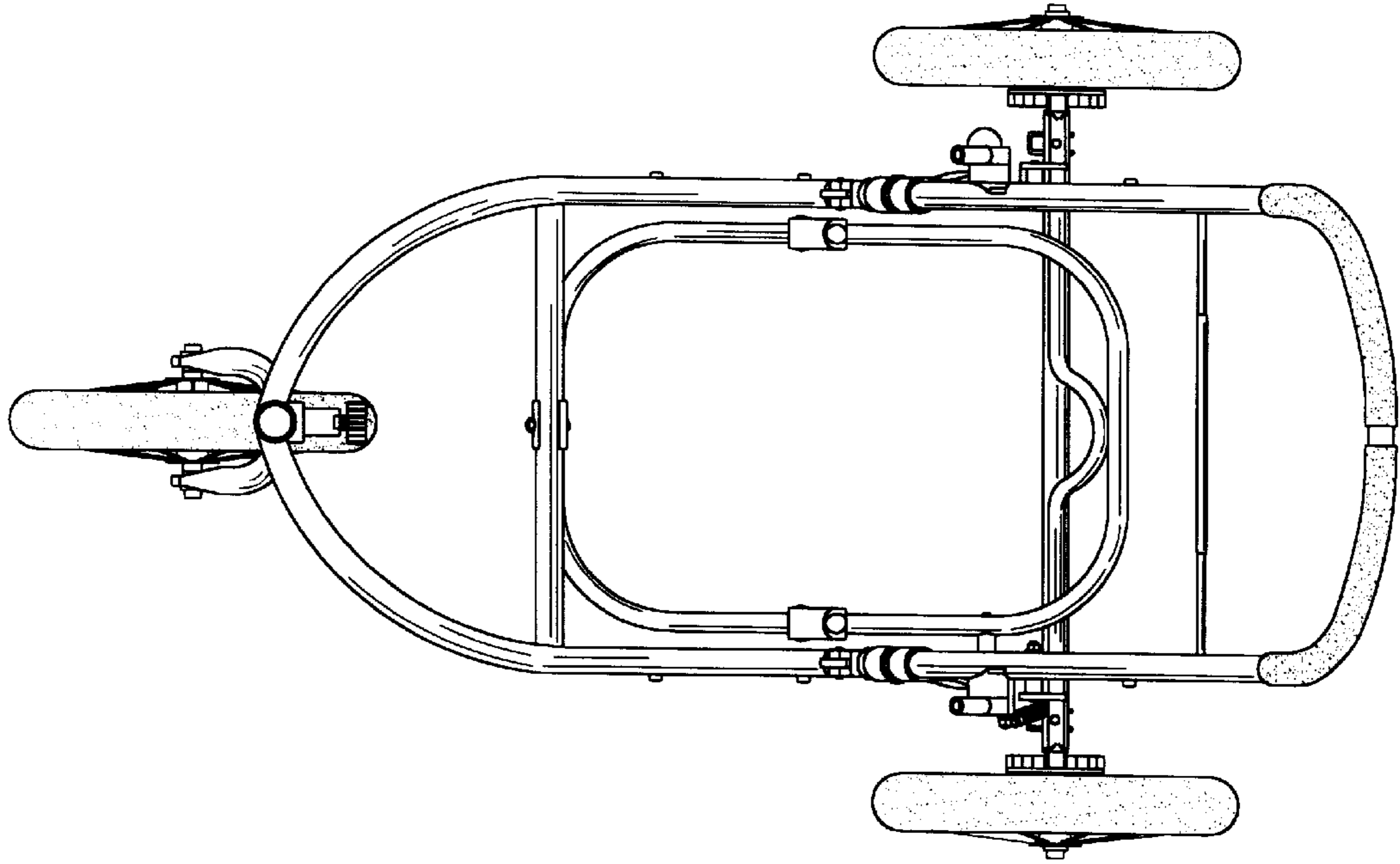


FIG. 6

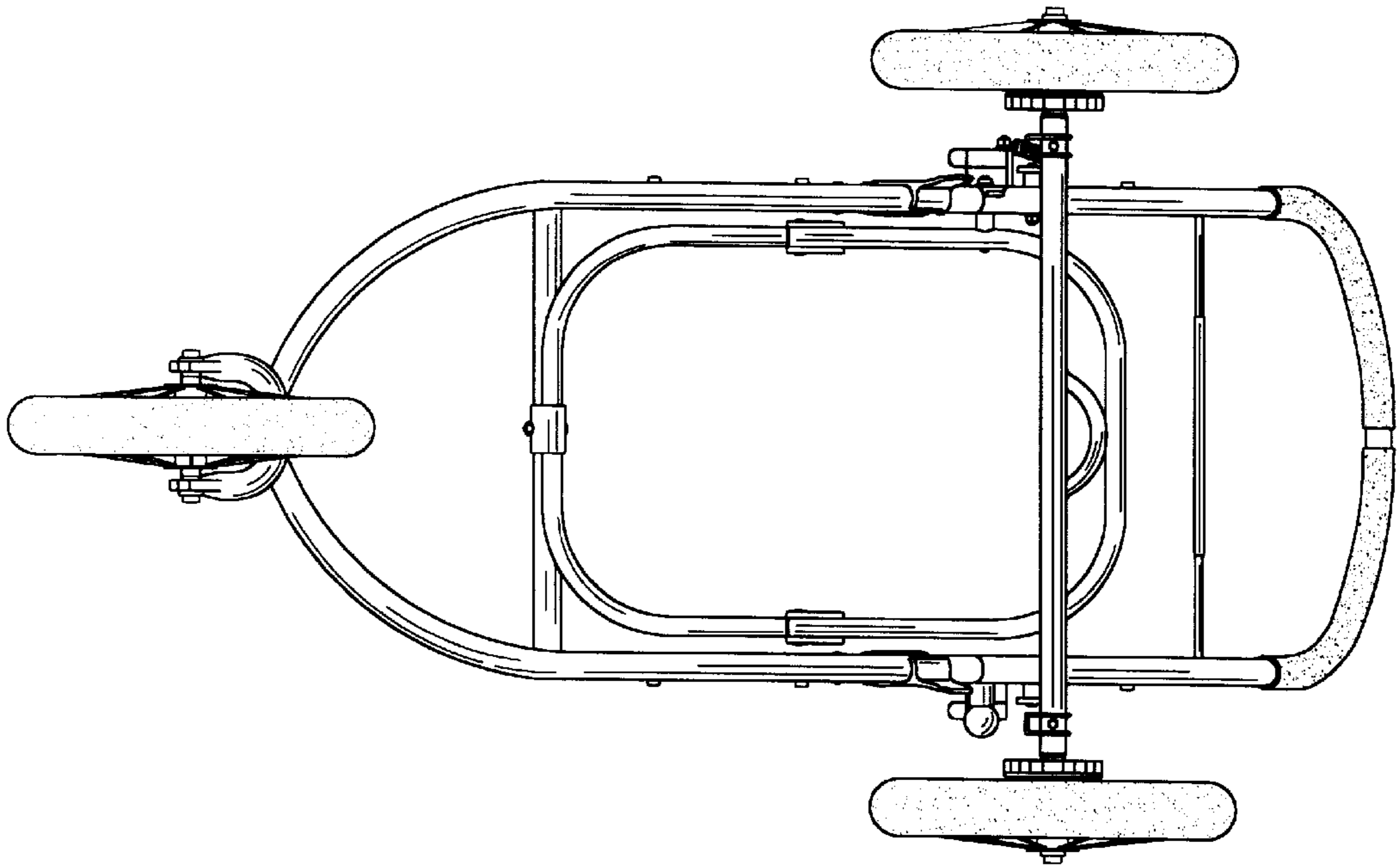


FIG. 7

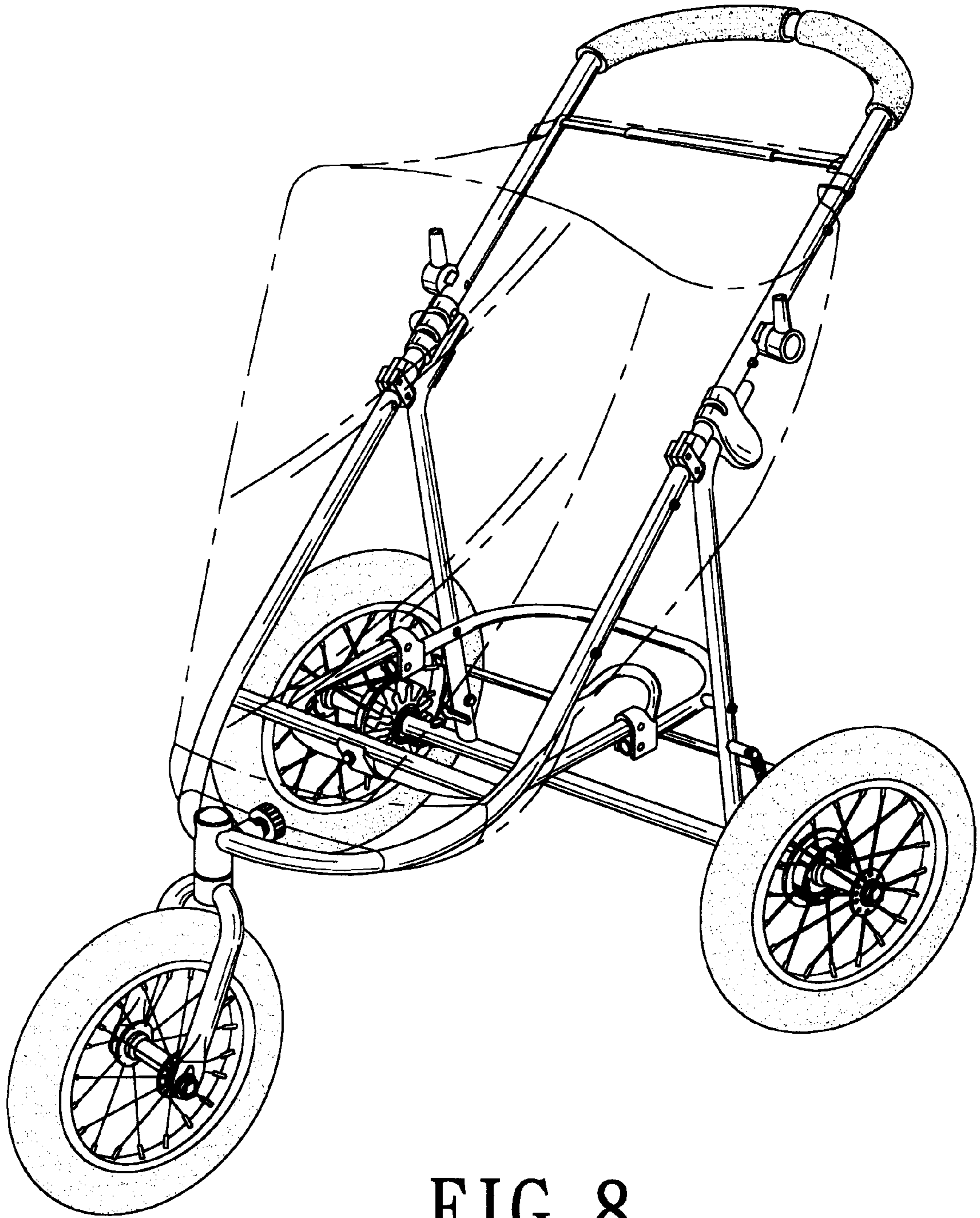


FIG. 8