



US00D442892S

(12) **United States Design Patent**
Timmermann

(10) **Patent No.:** **US D442,892 S**

(45) **Date of Patent:** **** May 29, 2001**

(54) **MOTORCYCLE**

OTHER PUBLICATIONS

(76) **Inventor:** **Christian Timmermann**, Berliner Str.
88, DE-14467 Potsdam (DE)

Henshaw, Peter, *The Encyclopedia of the Motorcycle*, (New Jersey, Chartwell Books, Inc.) 1938 Indian, p. 192, and engines detailed on p. 197, 1999.*

(**) **Term:** **14 Years**

* cited by examiner

(21) **Appl. No.:** **29/097,820**

Primary Examiner—Alan P. Douglas

(22) **Filed:** **Dec. 14, 1998**

Assistant Examiner—Linda Brooks

(51) **LOC (7) Cl.** **12-11**

(74) *Attorney, Agent, or Firm*—Helfgott & Karas, P C

(52) **U.S. Cl.** **D12/110**

(57) **CLAIM**

(58) **Field of Search** D12/110; 180/219

The ornamental design for a motorcycle, as shown and described.

DESCRIPTION

(56) **References Cited**

FIG. 1 is a left side view of a motorcycle showing my new design;

U.S. PATENT DOCUMENTS

FIG. 2 is an enlarged front view thereof;

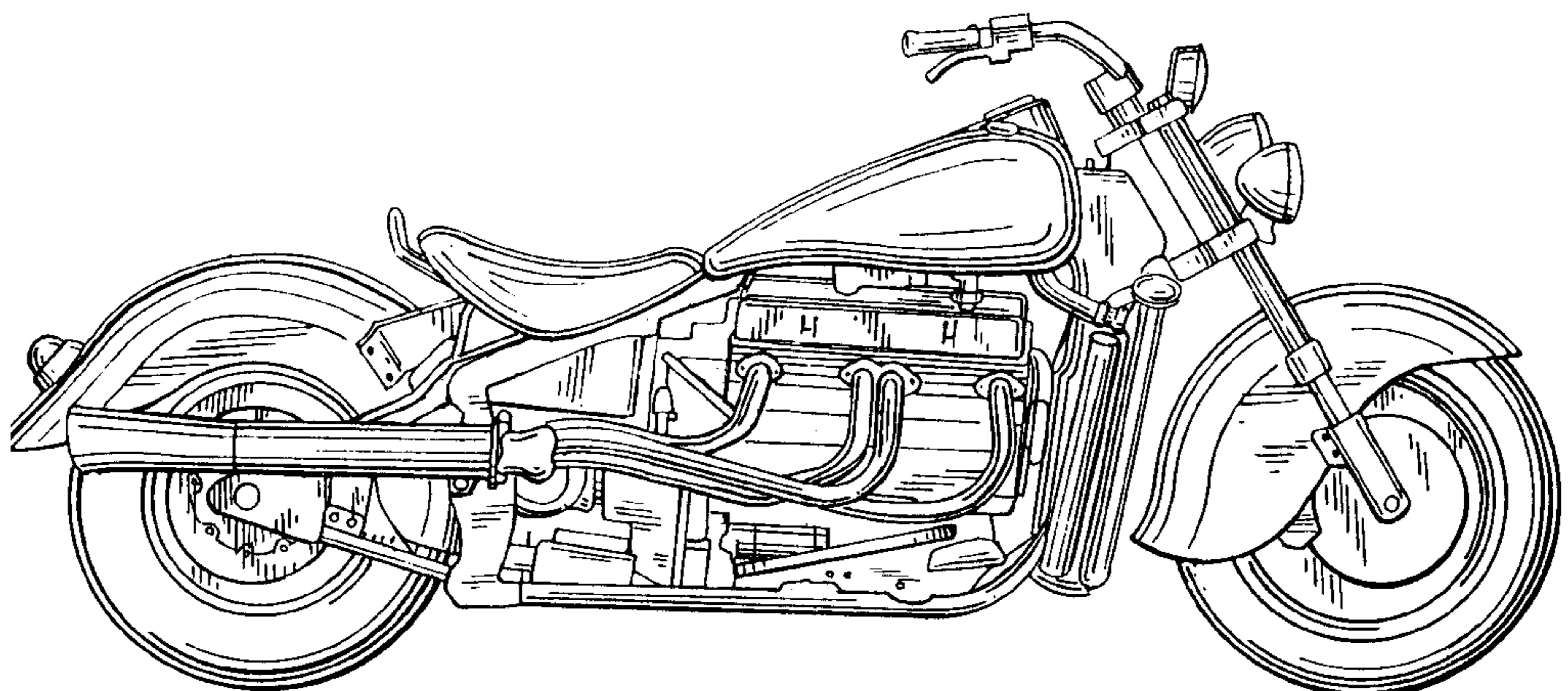
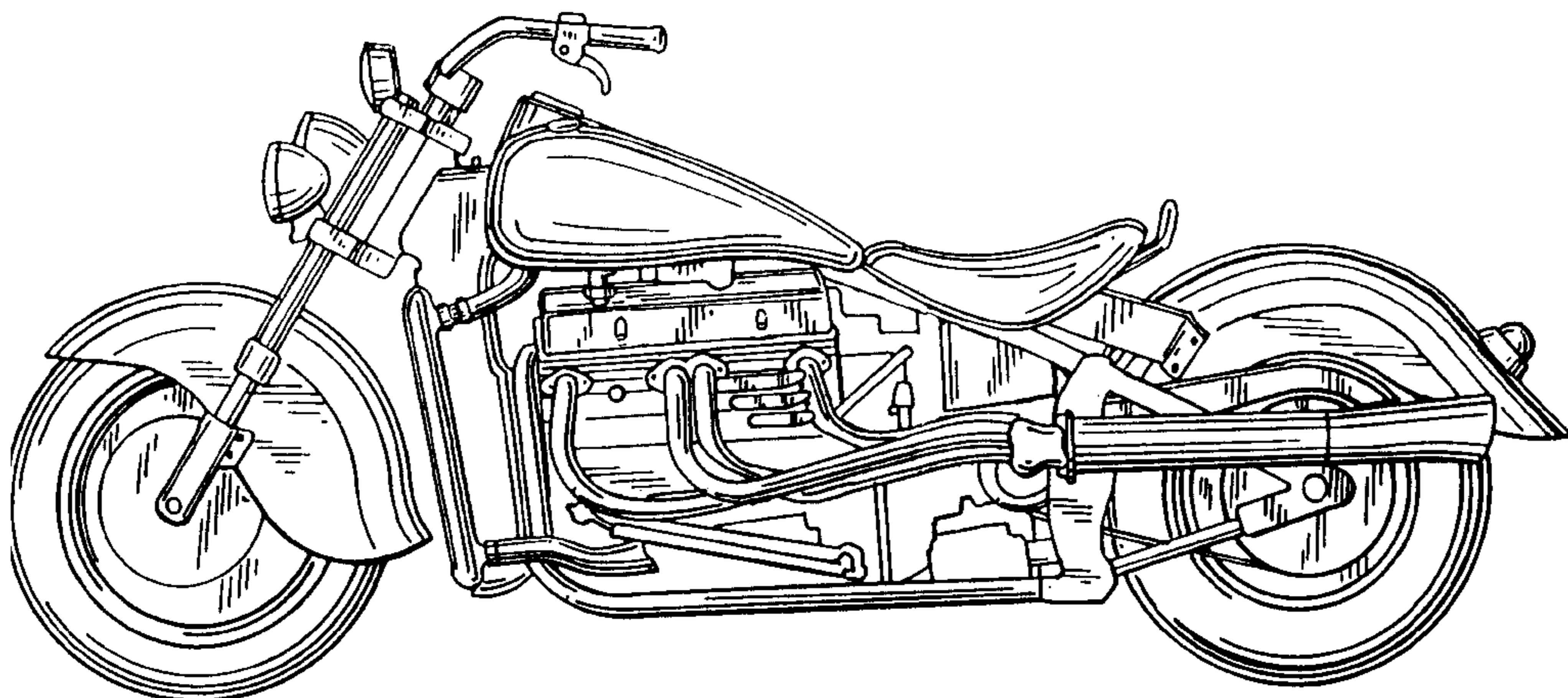
D. 241,330	*	9/1976	Morioka et al.	D12/110
D. 375,281	*	11/1996	Kitagawa et al.	D12/110
D. 417,173	*	11/1999	Yamaguchi et al.	D12/110
2,330,341	*	9/1943	Du Pont et al.	180/219

FIG. 3 is a top view thereof;

FIG. 4 is a right side view thereof; and,

FIG. 5 is an enlarged rear view thereof.

1 Claim, 5 Drawing Sheets



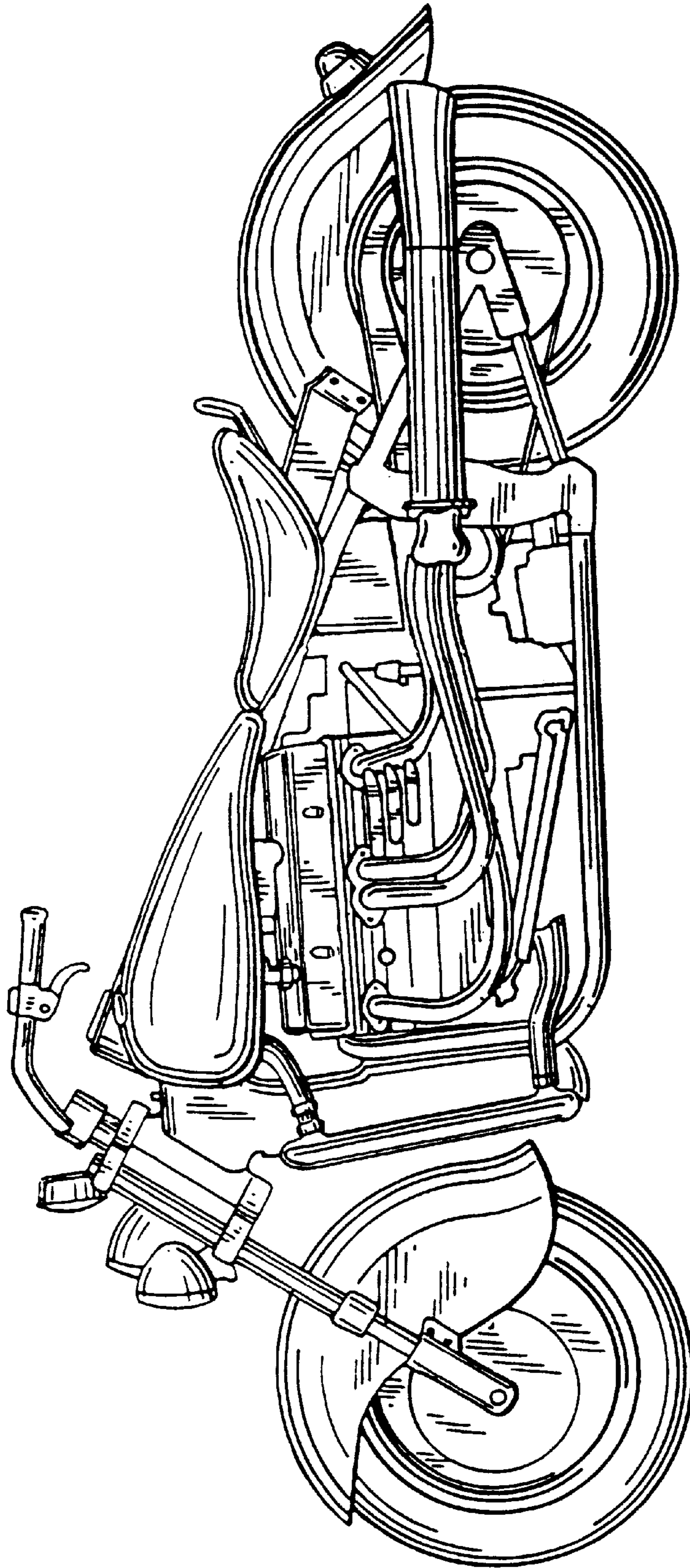


FIG.1

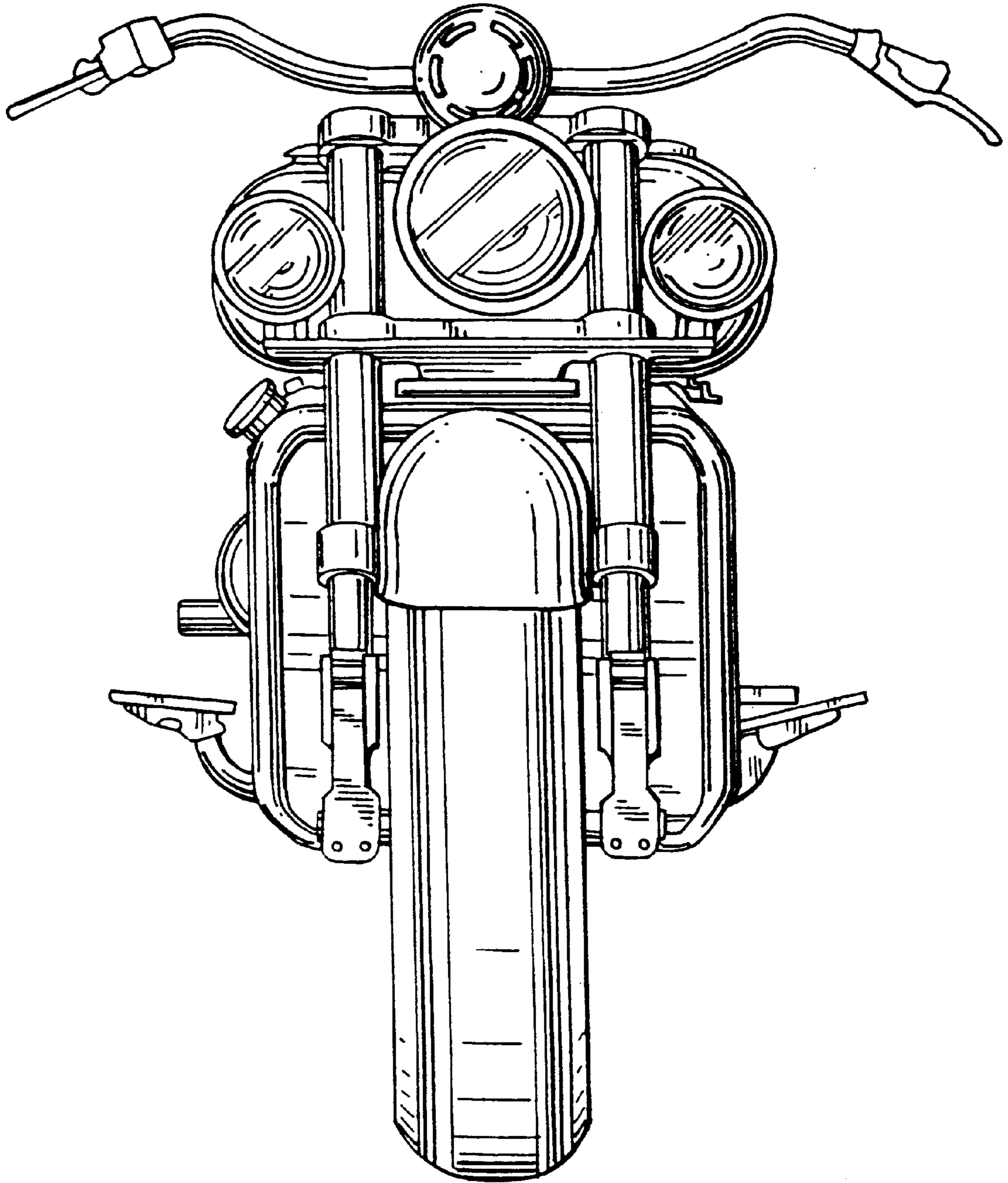


FIG. 2

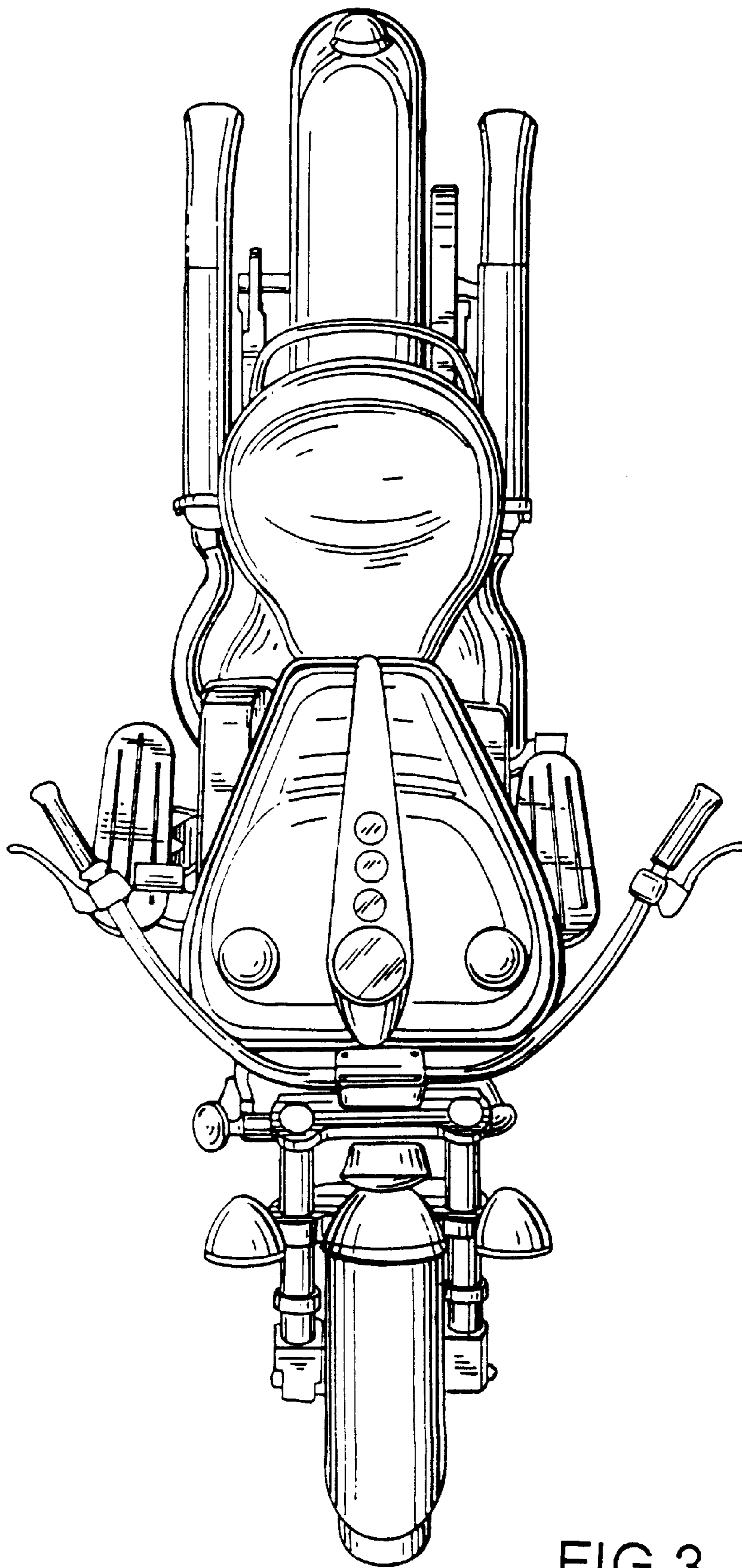


FIG.3

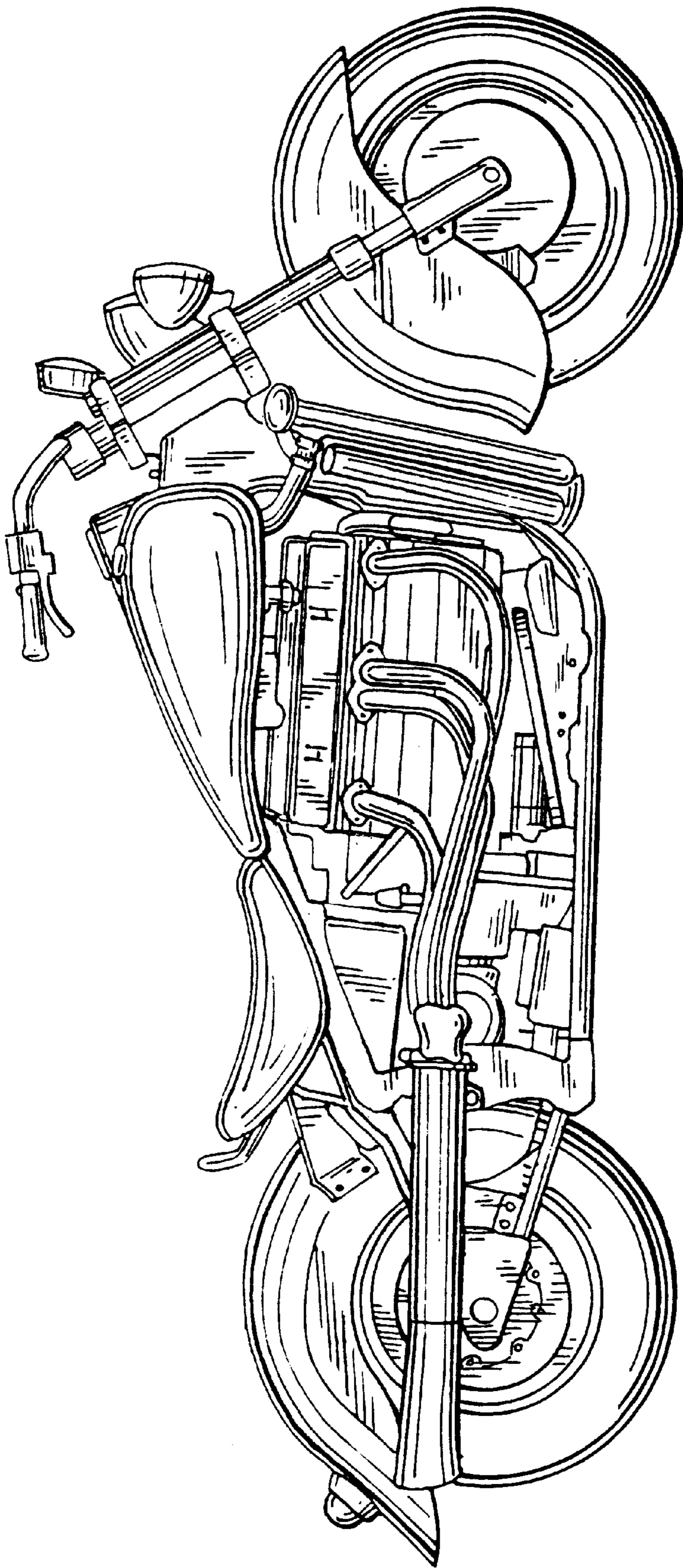


FIG.4

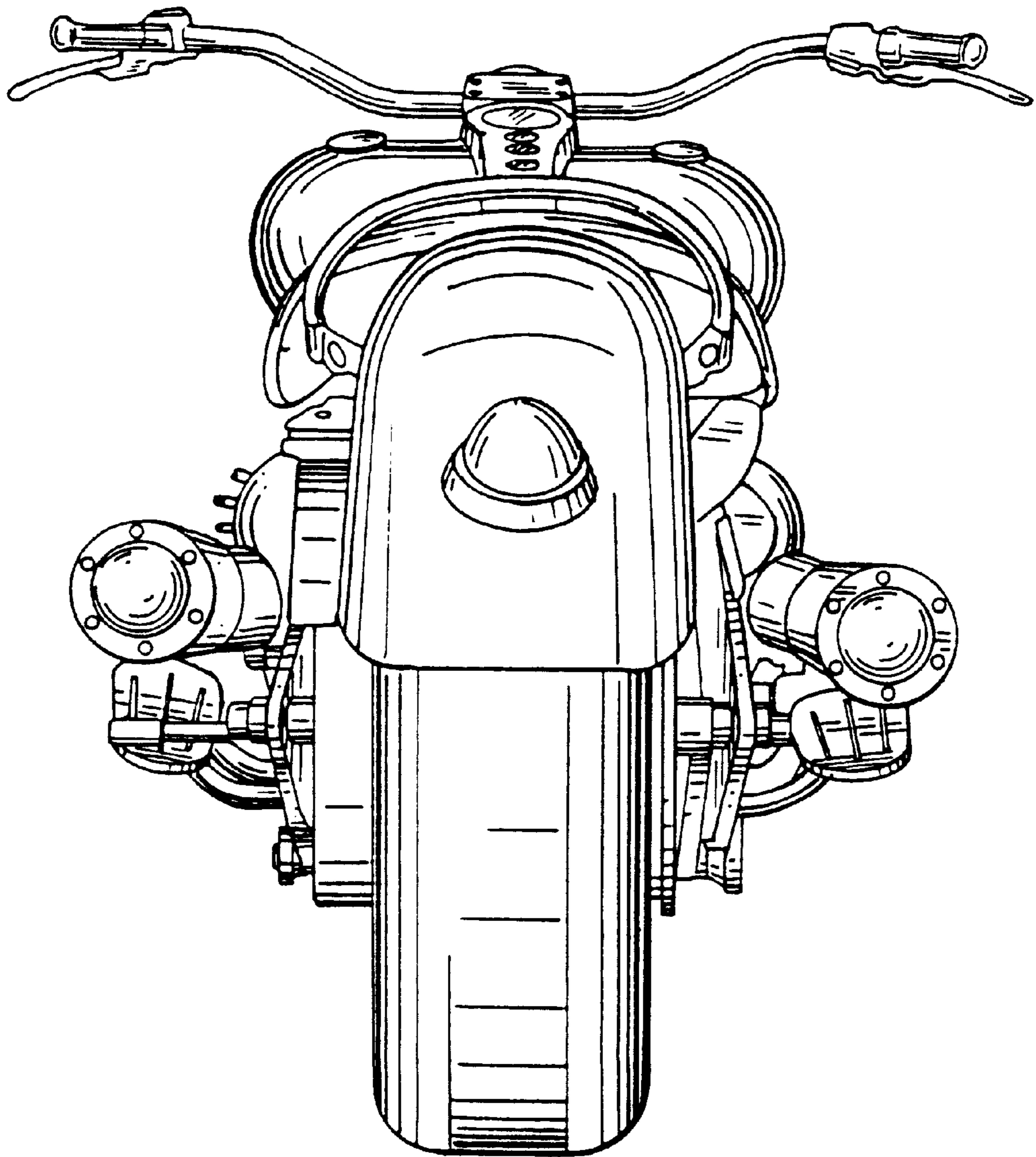


FIG.5