



US00D442889S

(12) **United States Design Patent**  
**Pfeiffer**

(10) **Patent No.:** **US D442,889 S**

(45) **Date of Patent:** **\*\* May 29, 2001**

(54) **SURFACE CONFIGURATION OF A VEHICLE BODY AND/OR TOY**

(75) Inventor: **Peter Pfeiffer**, Boeblingen (DE)

(73) Assignee: **DaimlerChrysler AG**, Stuttgart (DE)

(\*\*) Term: **14 Years**

(21) Appl. No.: **29/126,234**

(22) Filed: **Jul. 13, 2000**

(30) **Foreign Application Priority Data**

Jan. 27, 2000 (DE) ..... 4 00 00 749

(51) **LOC (7) Cl.** ..... **12-08**

(52) **U.S. Cl.** ..... **D12/91**

(58) **Field of Search** ..... D12/90-92; 296/185

(56) **References Cited**

**U.S. PATENT DOCUMENTS**

- D. 382,833 \* 8/1997 Futschik et al. .... D12/91
- D. 383,091 \* 9/1997 Sacco et al. .... D12/91
- D. 402,319 \* 12/1998 Fu ..... D12/91
- D. 406,795 \* 3/1995 Nagura et al. .... D12/91
- D. 410,595 \* 6/1999 Sacco et al. .... D12/92
- D. 431,209 \* 9/2000 O'Connell ..... D12/92
- D. 432,949 \* 10/2000 Pfeiffer et al. .... D12/91

\* cited by examiner

*Primary Examiner*—Melody N. Brown

(74) *Attorney, Agent, or Firm*—Evenson, McKeown, Edwards & Lenahan, P.L.L.C.

(57) **CLAIM**

The ornamental design for a surface configuration of a vehicle body and/or toy, as shown and described.

**DESCRIPTION**

FIG. 1 is a front view of a surface configuration of a vehicle body and/or toy according to my novel design;

FIG. 2 is a left, front perspective view of the surface configuration of a vehicle body and/or toy according to my novel design;

FIG. 3 is a right, front perspective view of the surface configuration of a vehicle body and/or toy according to my novel design;

FIG. 4 is a left side view of the surface configuration of a vehicle body and/or toy according to my novel design;

FIG. 5 is a right side view of the surface configuration of a vehicle body and/or toy according to my novel design;

FIG. 6 is a left, rear perspective view of the surface configuration of a vehicle body and/or toy according to my novel design;

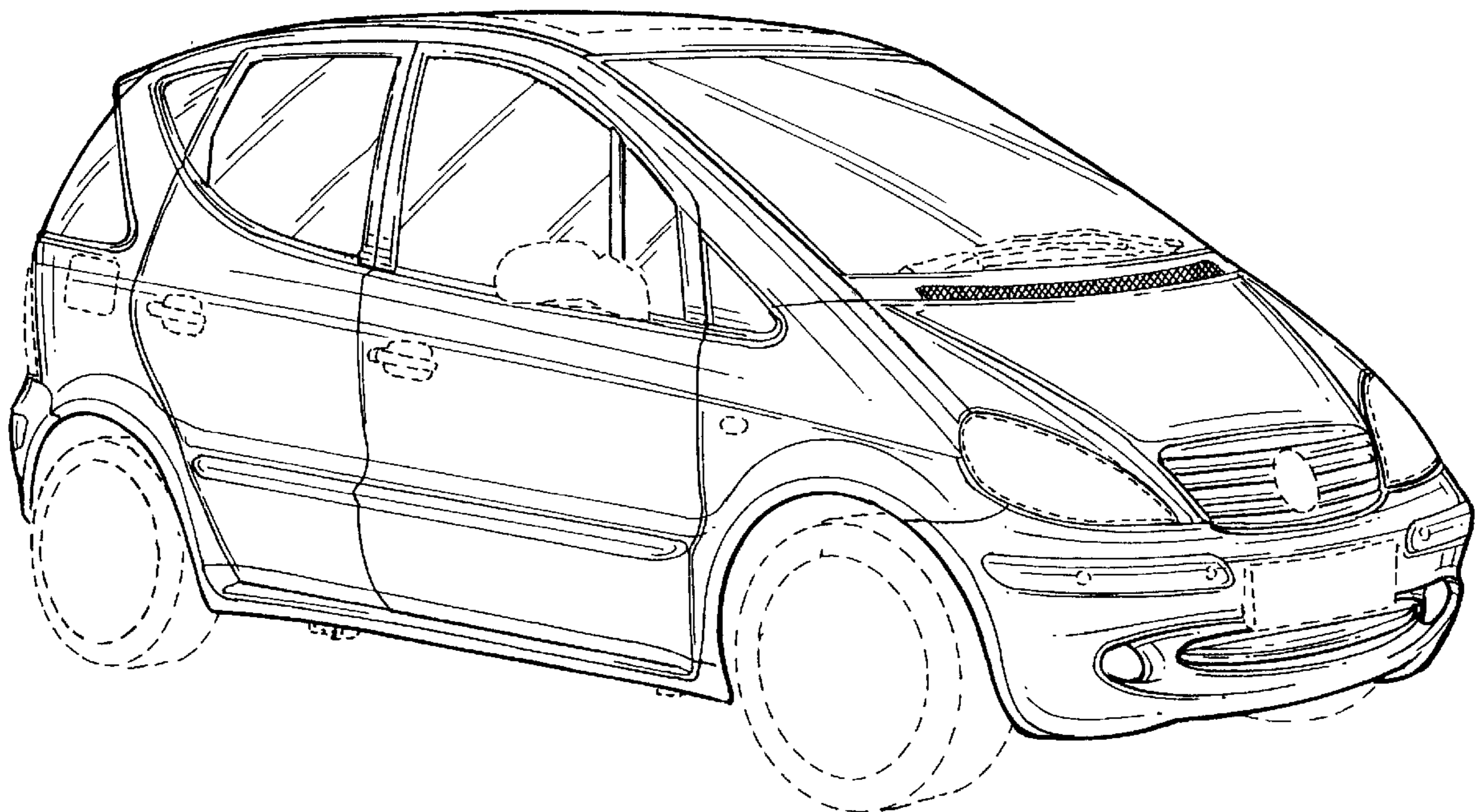
FIG. 7 is a right, rear perspective view of the surface configuration of a vehicle body and/or toy according to my novel design;

FIG. 8 is a rear view of the surface configuration of a vehicle body and/or toy according to my novel design; and,

FIG. 9 is a top view of the surface configuration of a vehicle body and/or toy according to my novel design.

The broken lines included depict environment and are not part of the claimed design.

**1 Claim, 8 Drawing Sheets**



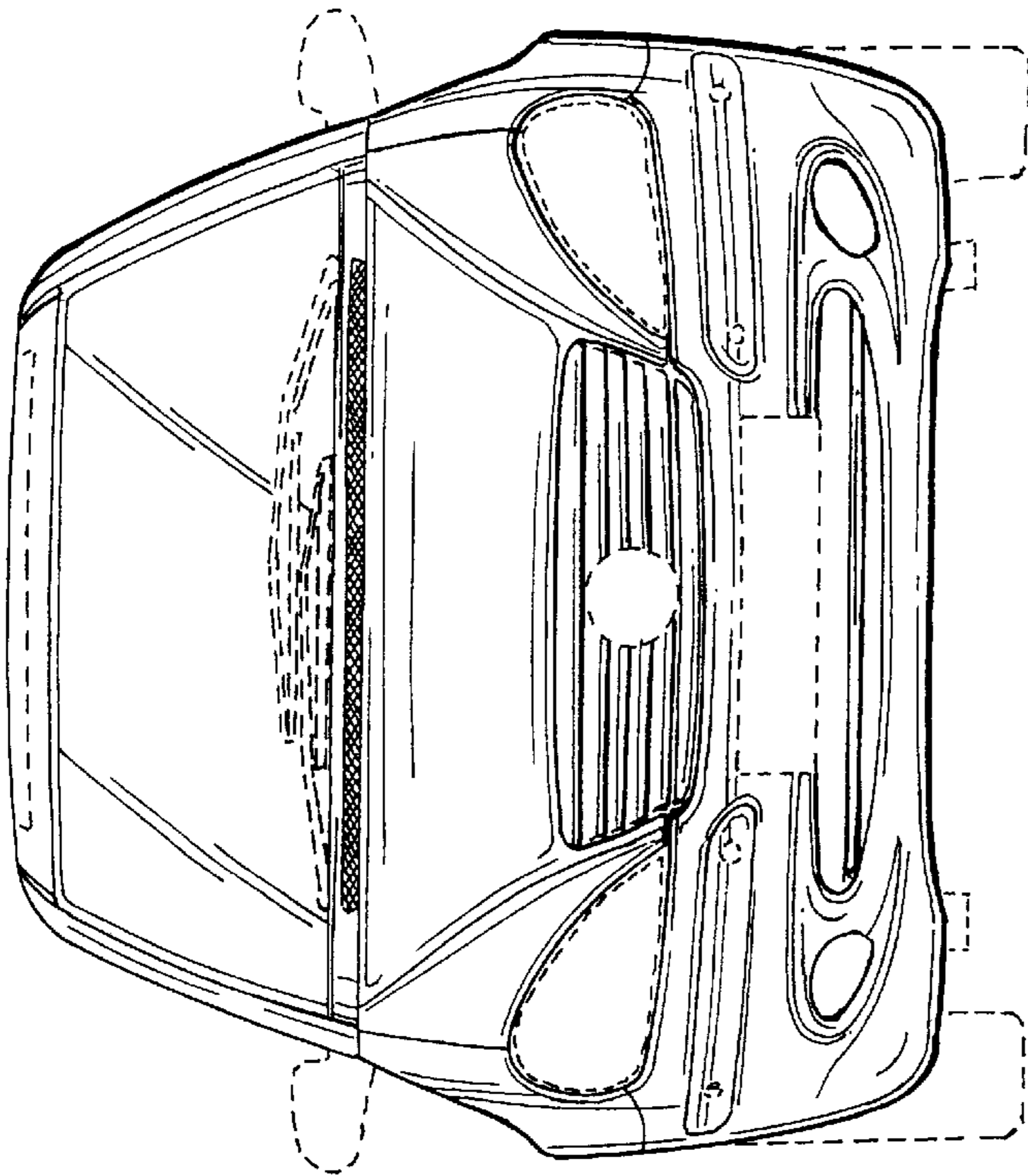


FIG. 1

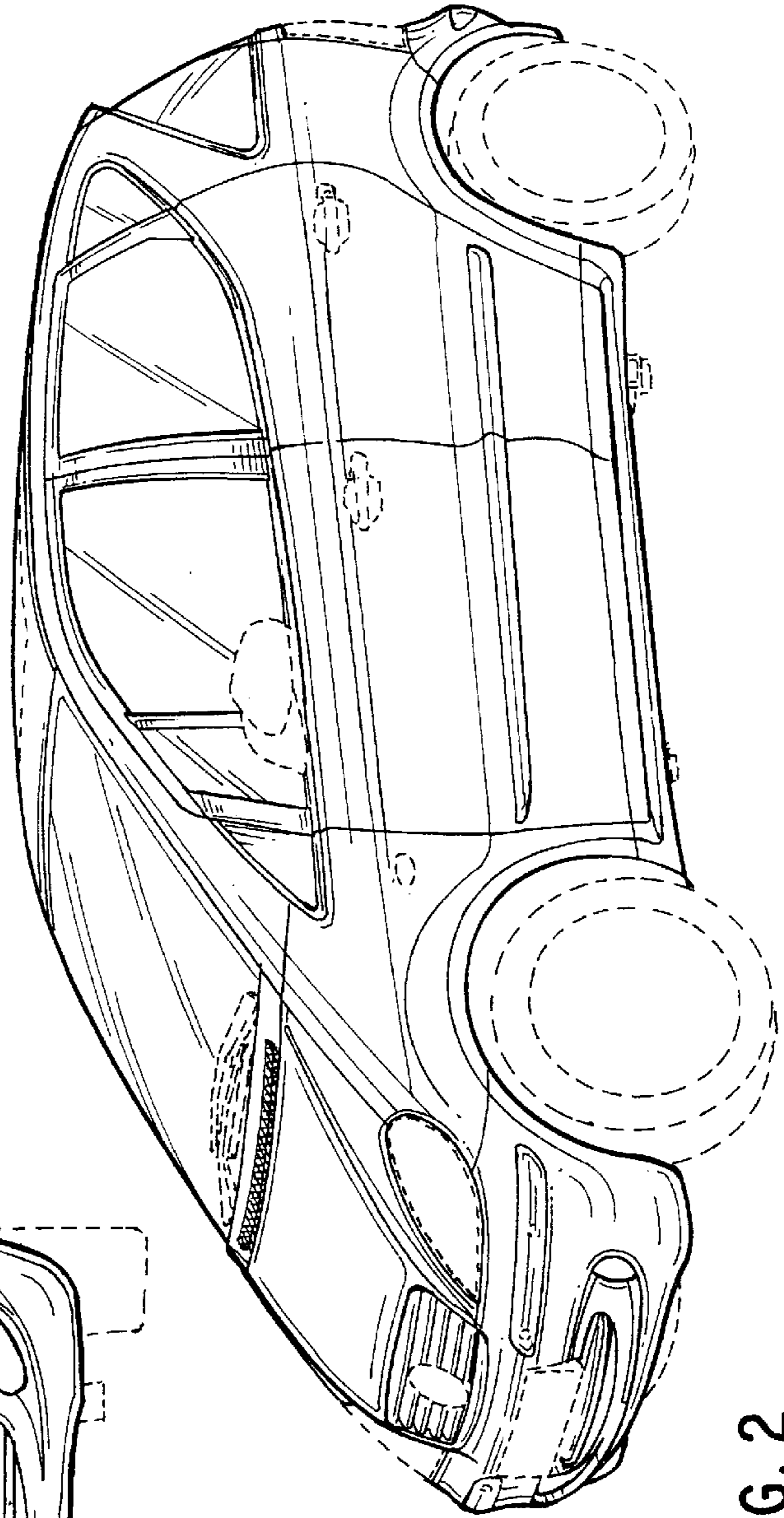


FIG. 2

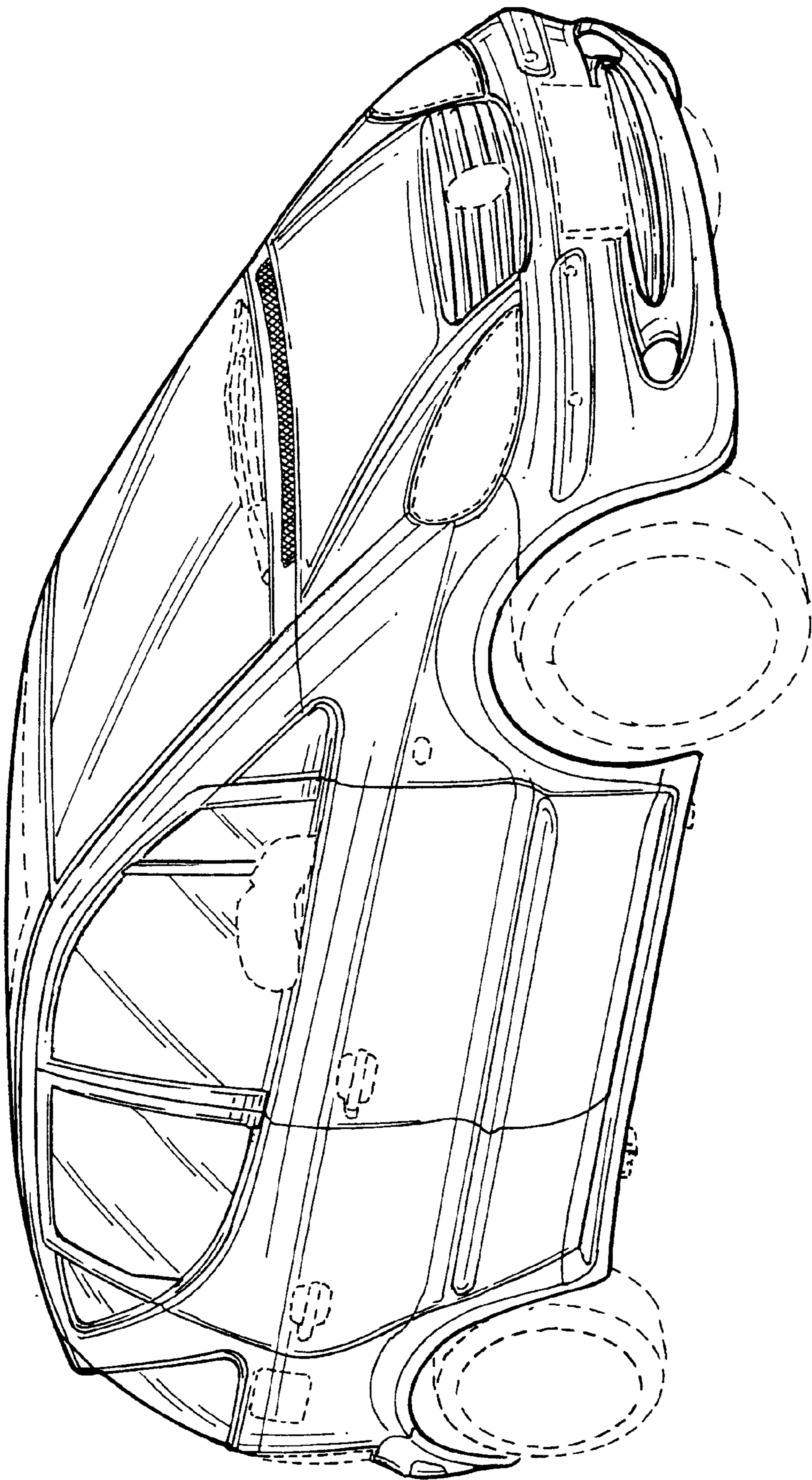


FIG. 3

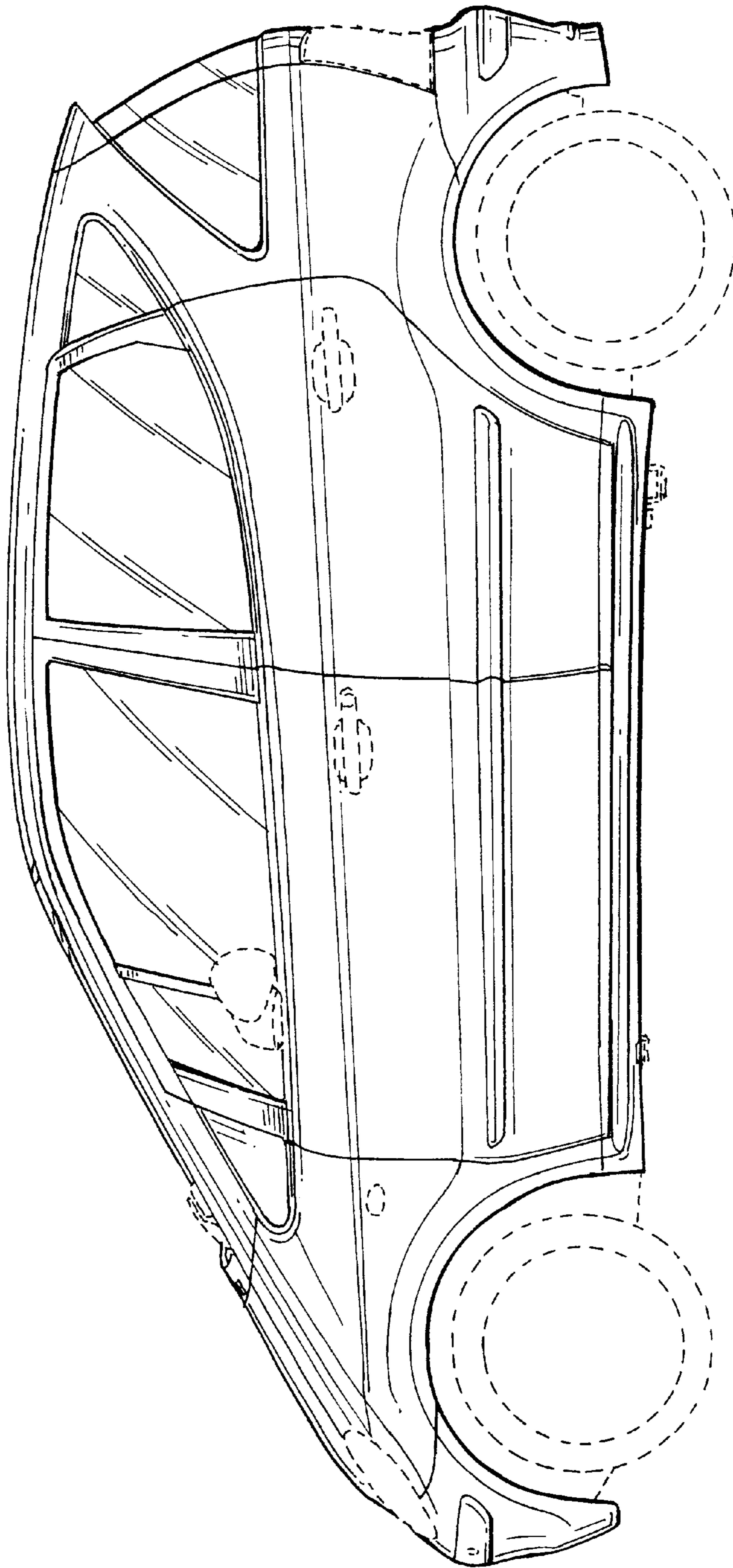


FIG. 4

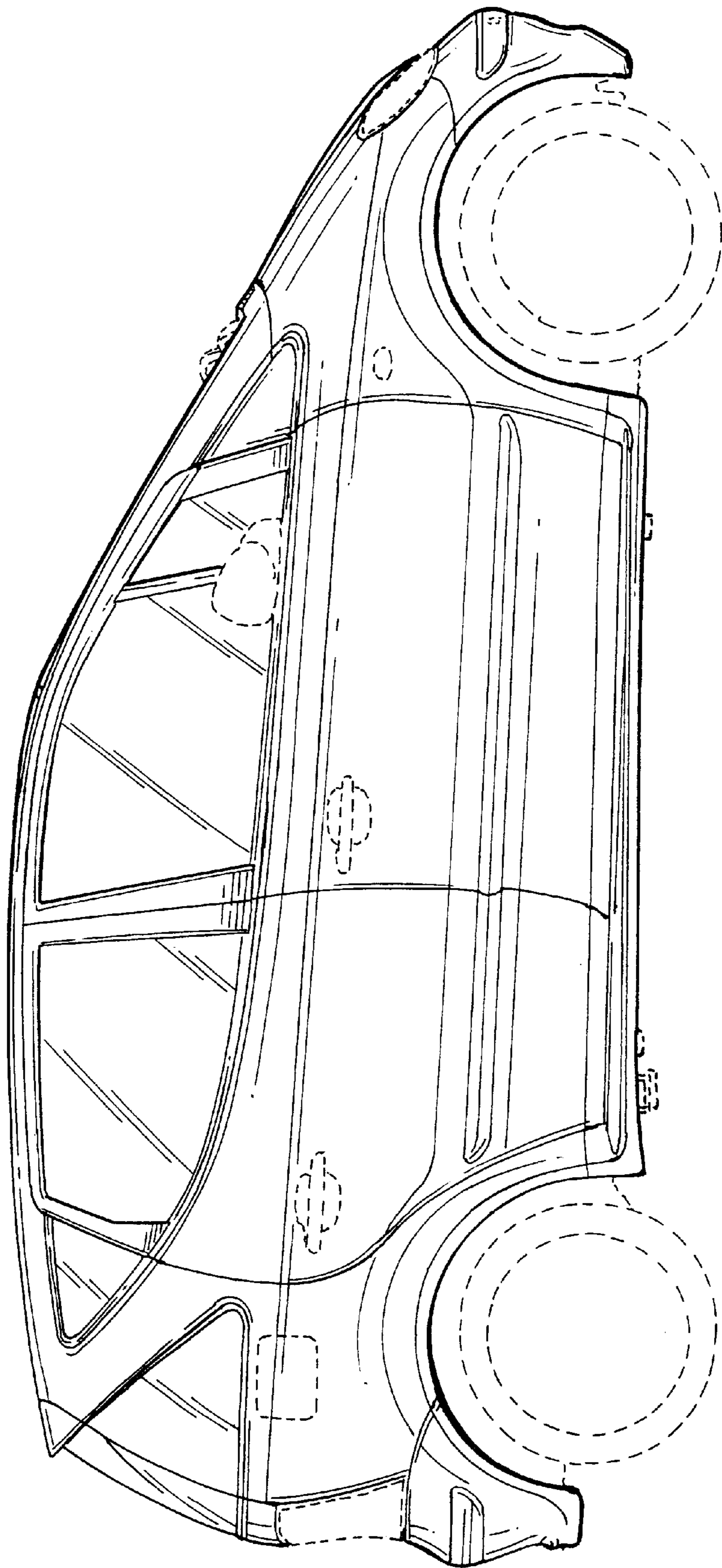


FIG. 5

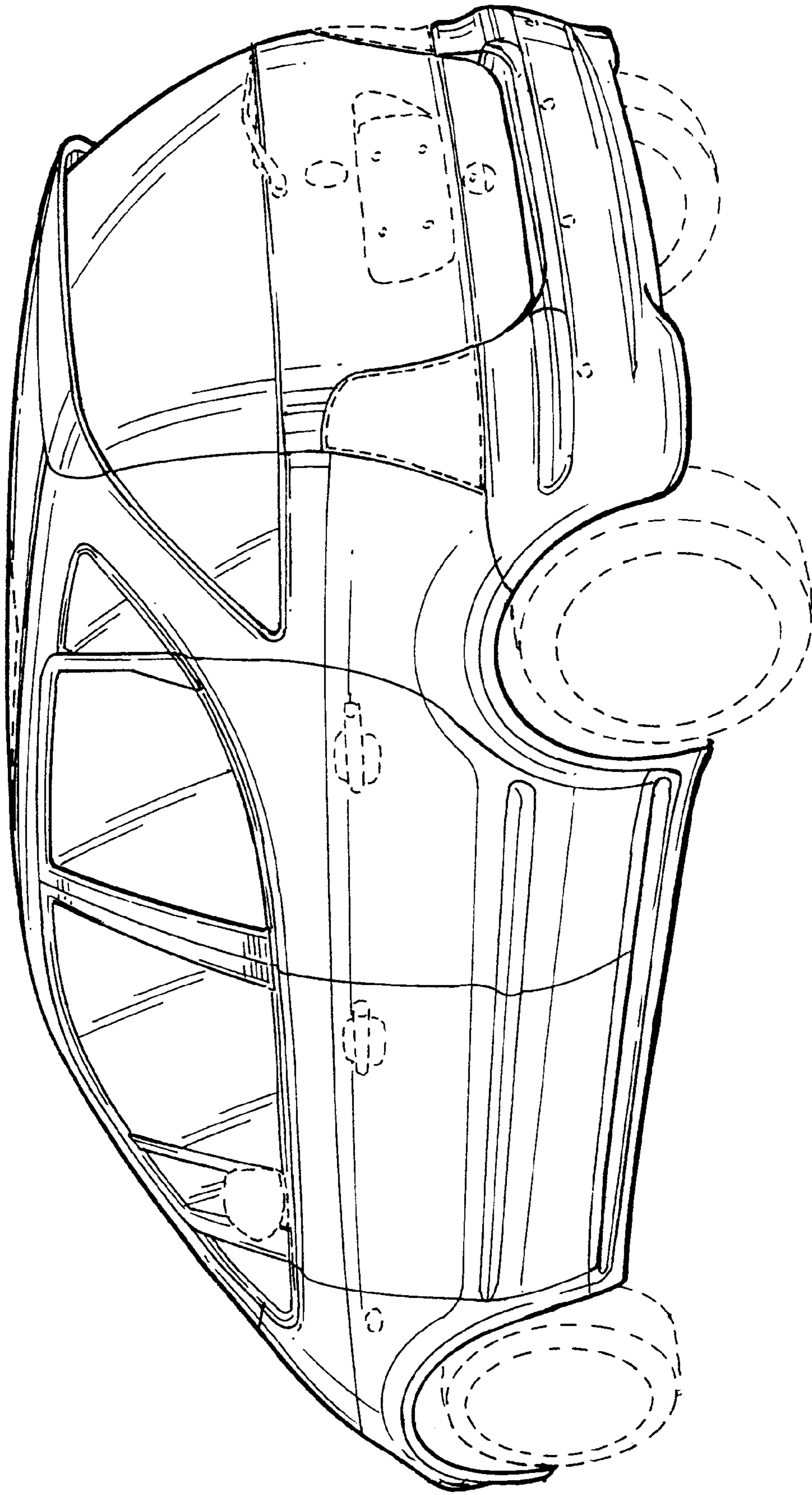


FIG. 6

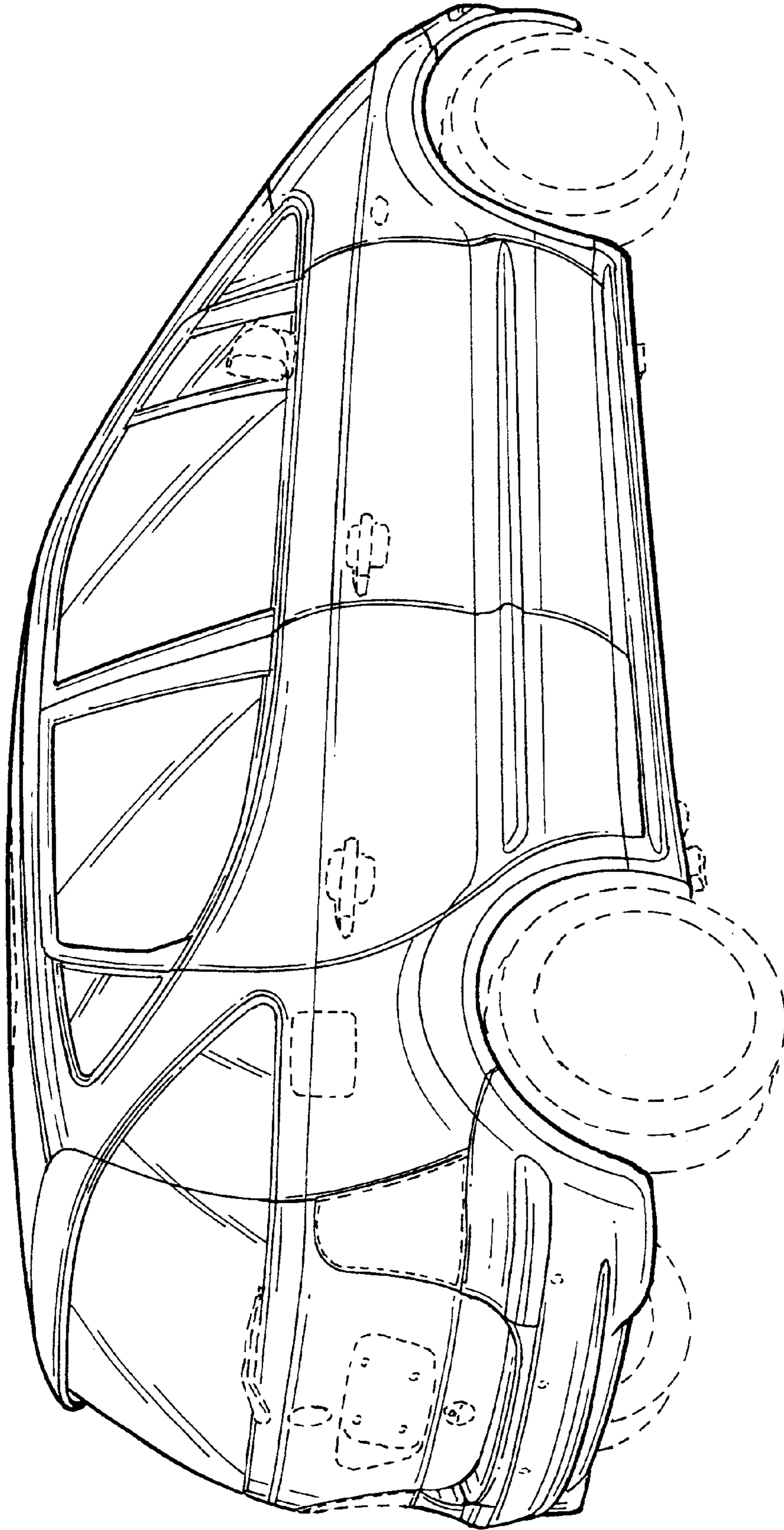


FIG. 7

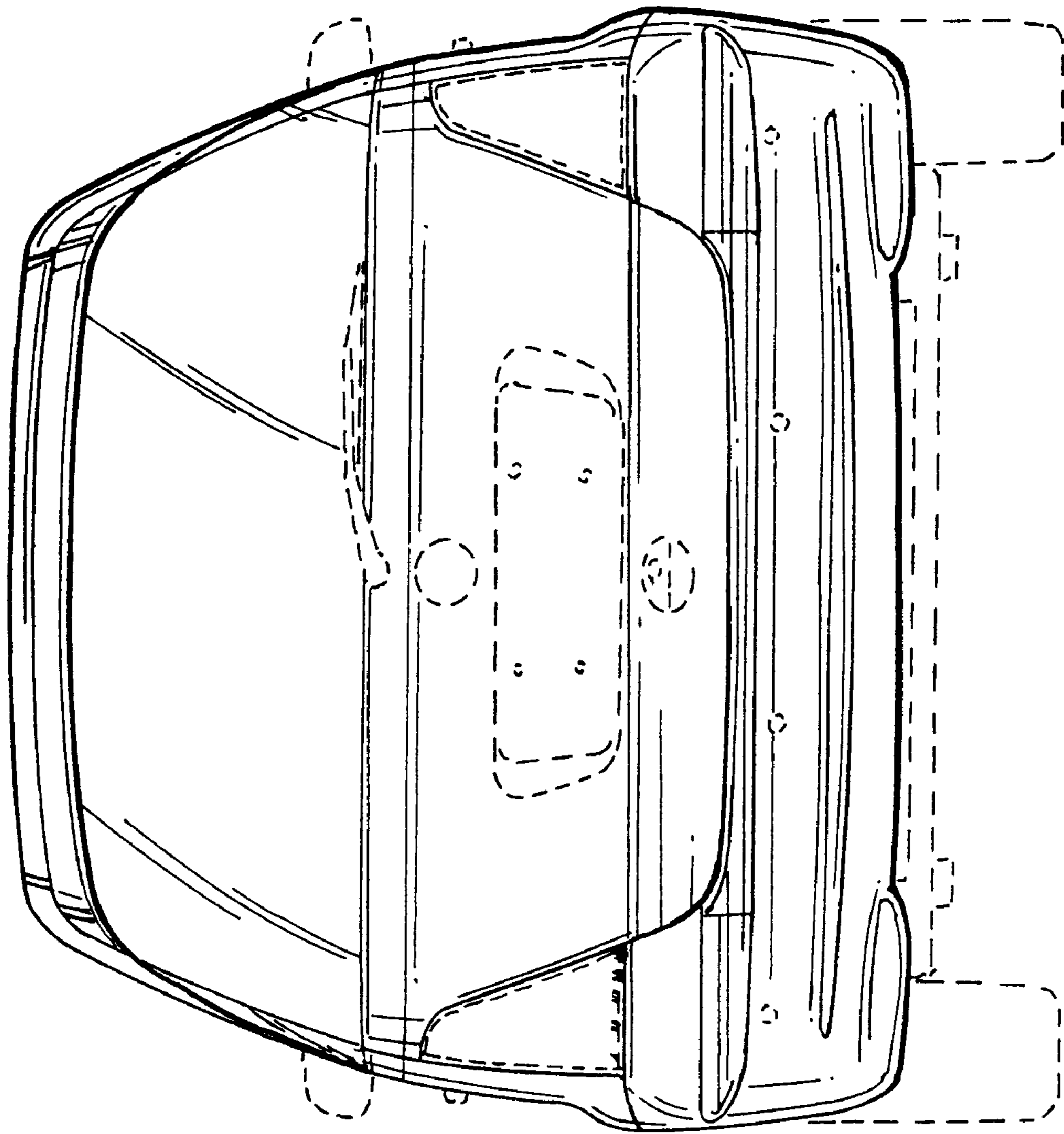


FIG. 8



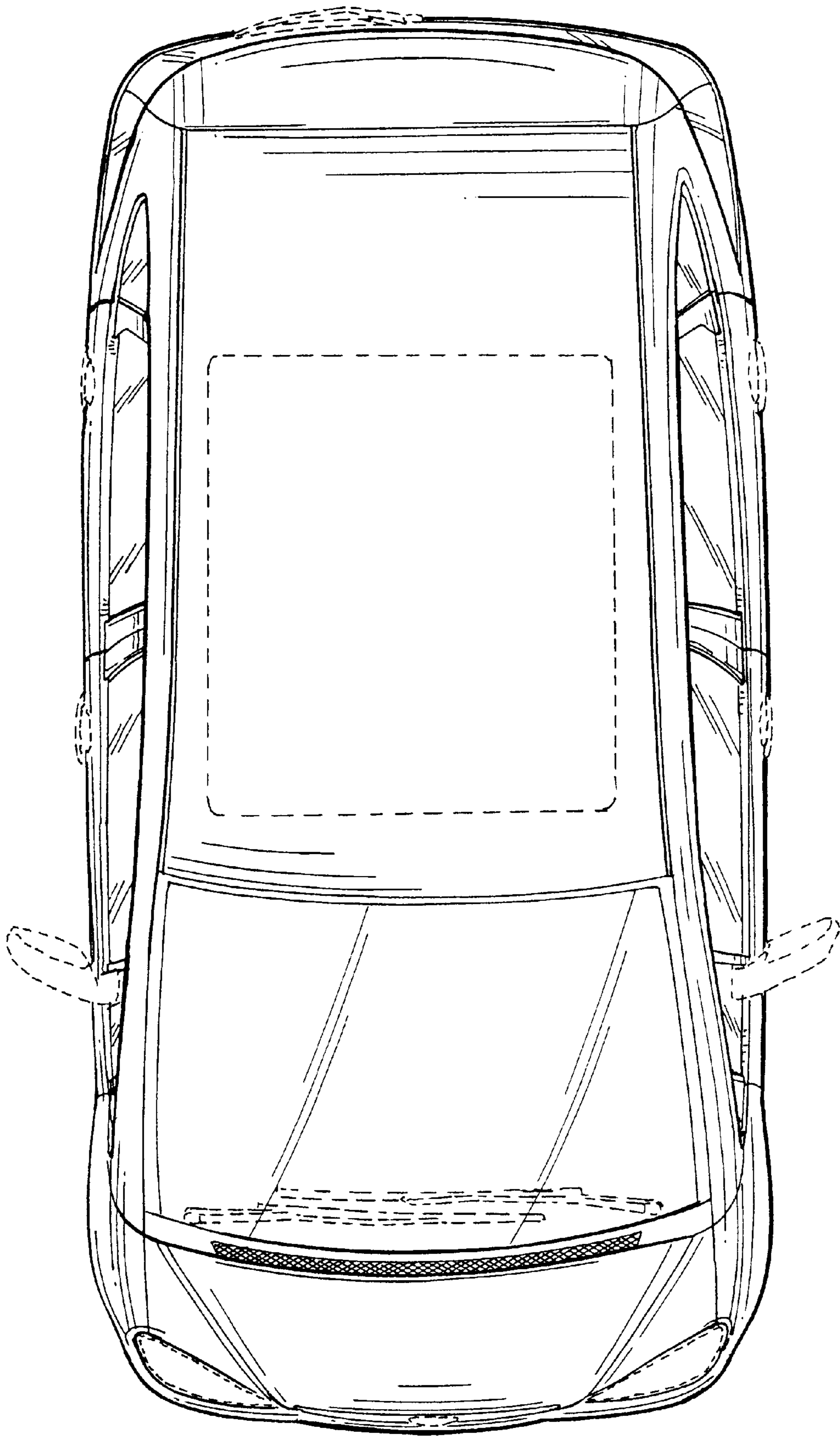


FIG. 9